



US00D554791S

(12) **United States Design Patent**  
**Galipeau et al.**

(10) **Patent No.:** **US D554,791 S**

(45) **Date of Patent:** **\*\* Nov. 6, 2007**

(54) **LAMP**

D515,231 S \* 2/2006 Randazzo et al. .... D26/67

(75) Inventors: **Guy Galipeau**, Ste Thérèse (CA);  
**Denis Genois**, Île Bizard (CA)

\* cited by examiner

*Primary Examiner*—Clare E Heflin

(73) Assignee: **Lumec, Inc.**, Boisbriand, Quebec (CA)

(74) *Attorney, Agent, or Firm*—John F. Salazar; Middleton Reutlinger

(\*\*) Term: **14 Years**

(57) **CLAIM**

(21) Appl. No.: **29/229,535**

The ornamental design for a lamp, as shown and described.

(22) Filed: **May 9, 2005**

**DESCRIPTION**

(51) **LOC (8) Cl.** ..... **26-05**

(52) **U.S. Cl.** ..... **D26/67**

(58) **Field of Classification Search** ..... D26/67,  
D26/68, 70, 71, 72, 85, 87, 91, 92, 128; 362/145,  
362/153, 153.1, 157, 183, 190, 191, 266,  
362/362, 431, 812

See application file for complete search history.

FIG. 1 is a perspective view of our lamp design with the globe portion shown removed for illustrative purposes only;

FIG. 2 is a front view thereof;

FIG. 3 is a left side view thereof;

FIG. 4 is a right side view thereof;

FIG. 5 is a top view thereof;

FIG. 6 is a bottom view thereof; and,

FIG. 7 is a back view thereof; and,

FIG. 8 is a perspective view of the lamp design shown in its entirety.

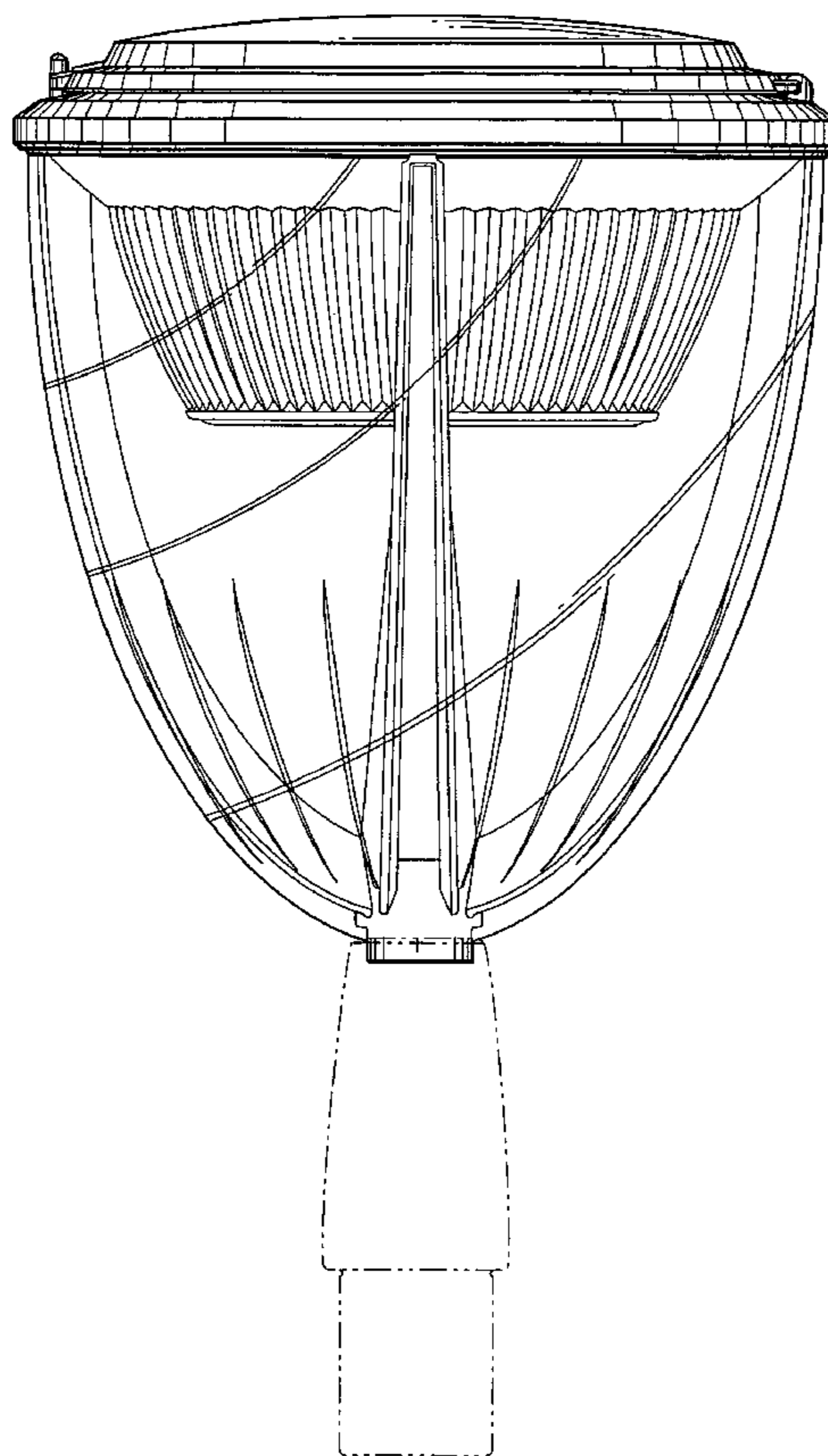
The broken lines are for illustrative purposes only and form no part of the claimed design.

(56) **References Cited**

**U.S. PATENT DOCUMENTS**

572,354 A *	12/1896	Buckner	.....	362/431
D192,125 S *	1/1962	Lasker	.....	D26/67
D199,078 S *	9/1964	Turne et al.	.....	D26/67
D370,288 S *	5/1996	Tognu	.....	D26/67
D444,584 S *	7/2001	Landefeld	.....	D26/67
D484,632 S *	12/2003	Lamolinara et al.	.....	D26/67
D504,536 S *	4/2005	Emory et al.	.....	D26/67

**1 Claim, 8 Drawing Sheets**



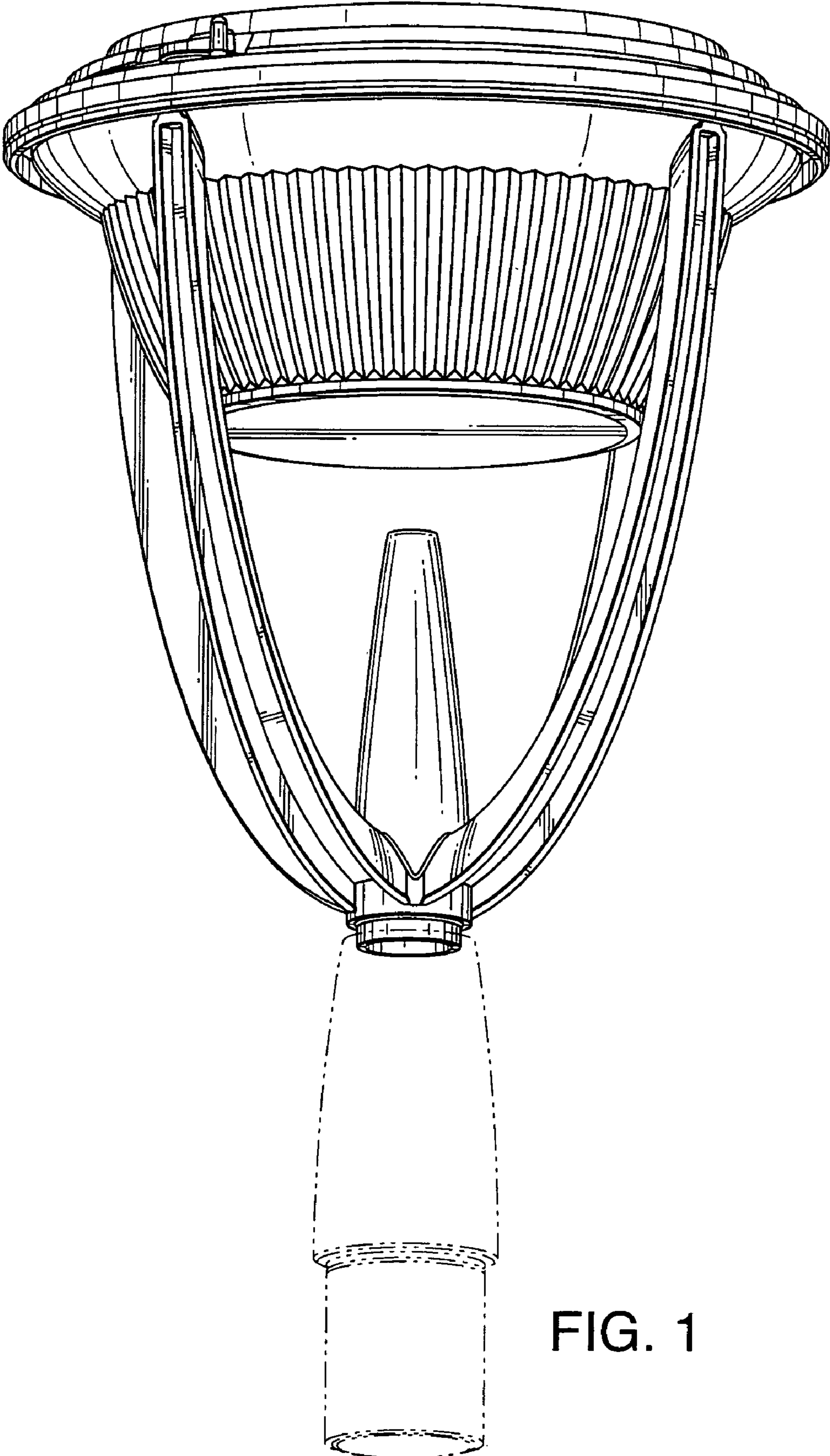


FIG. 1

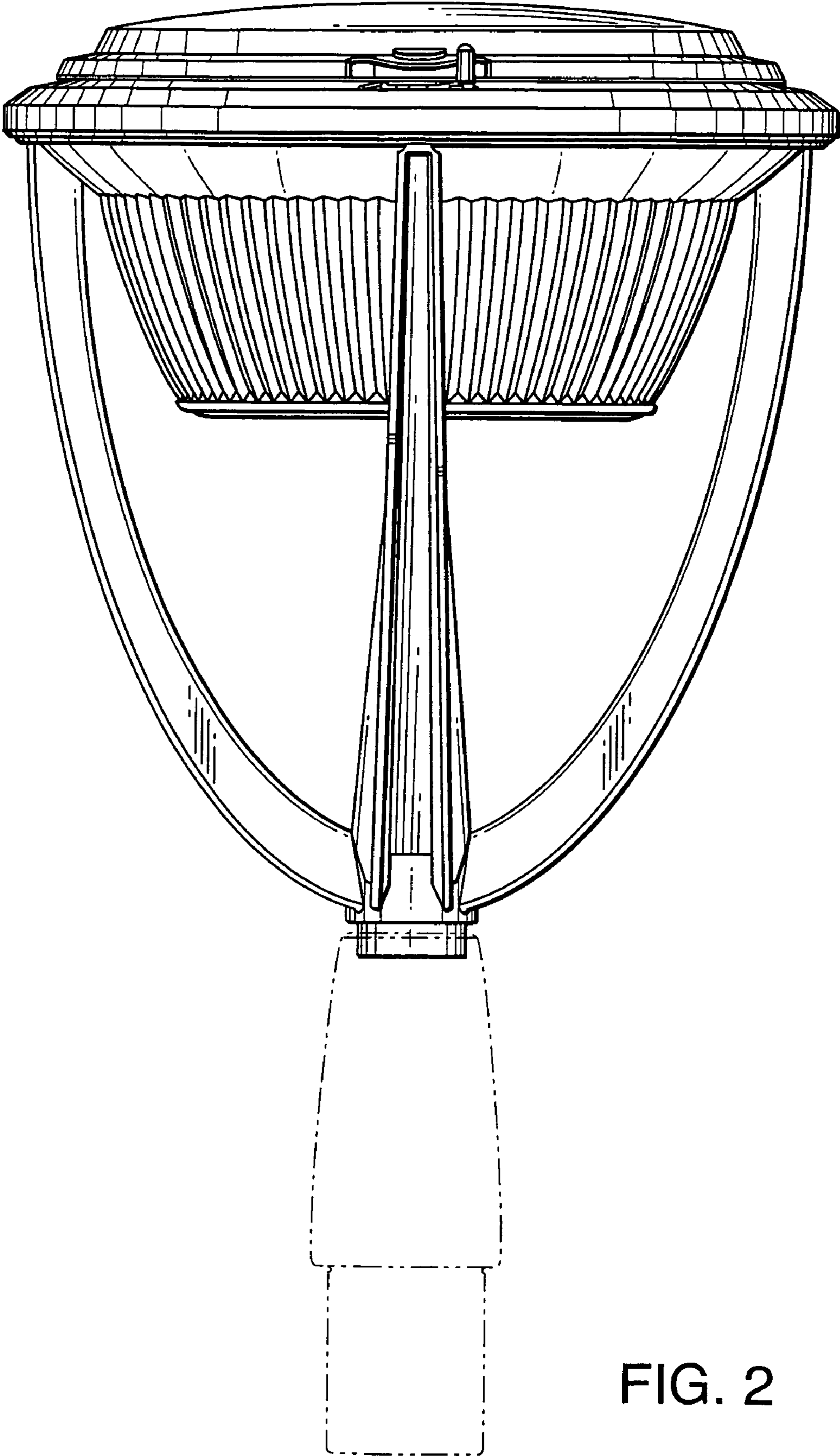


FIG. 2

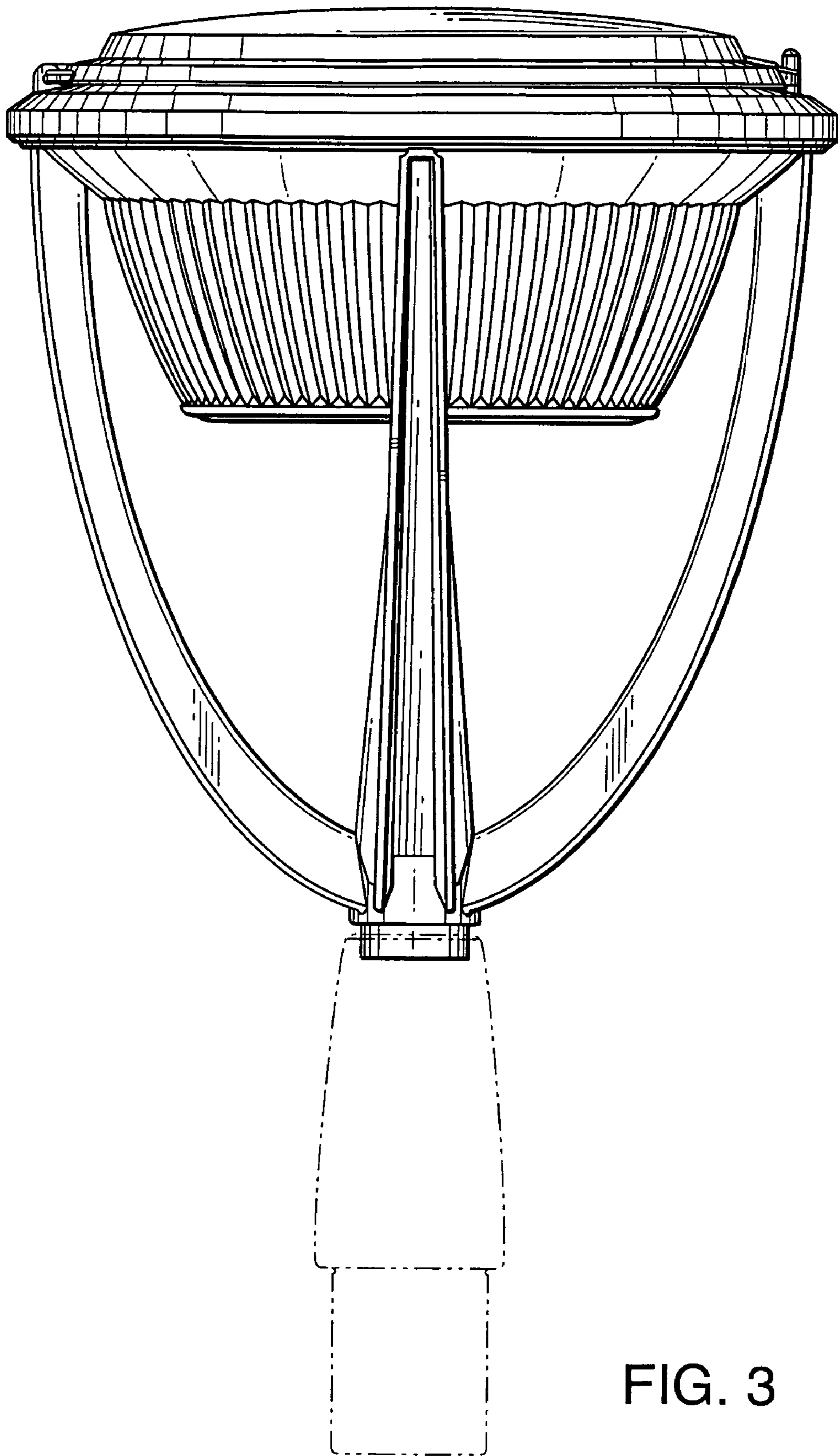


FIG. 3



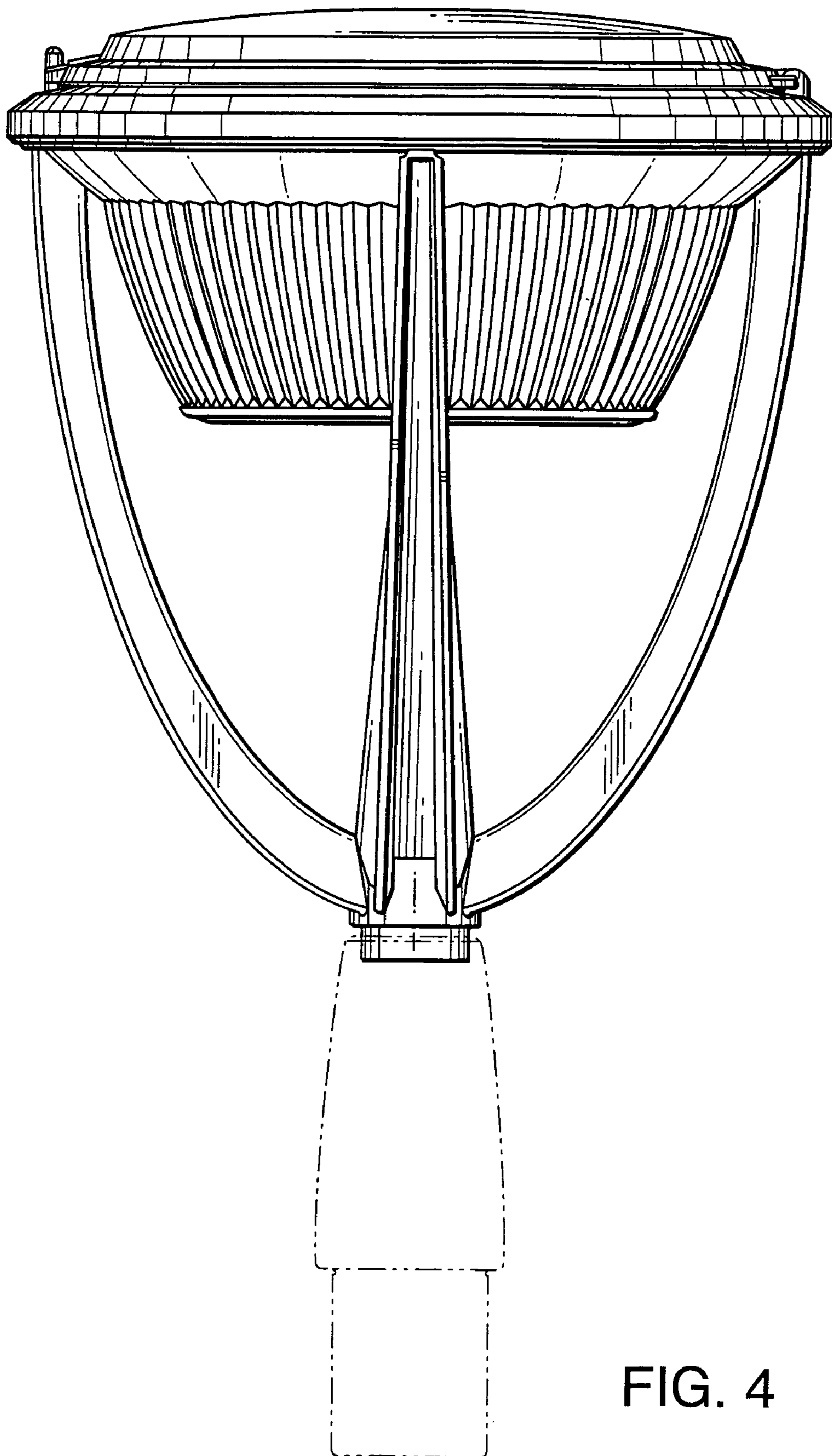


FIG. 4

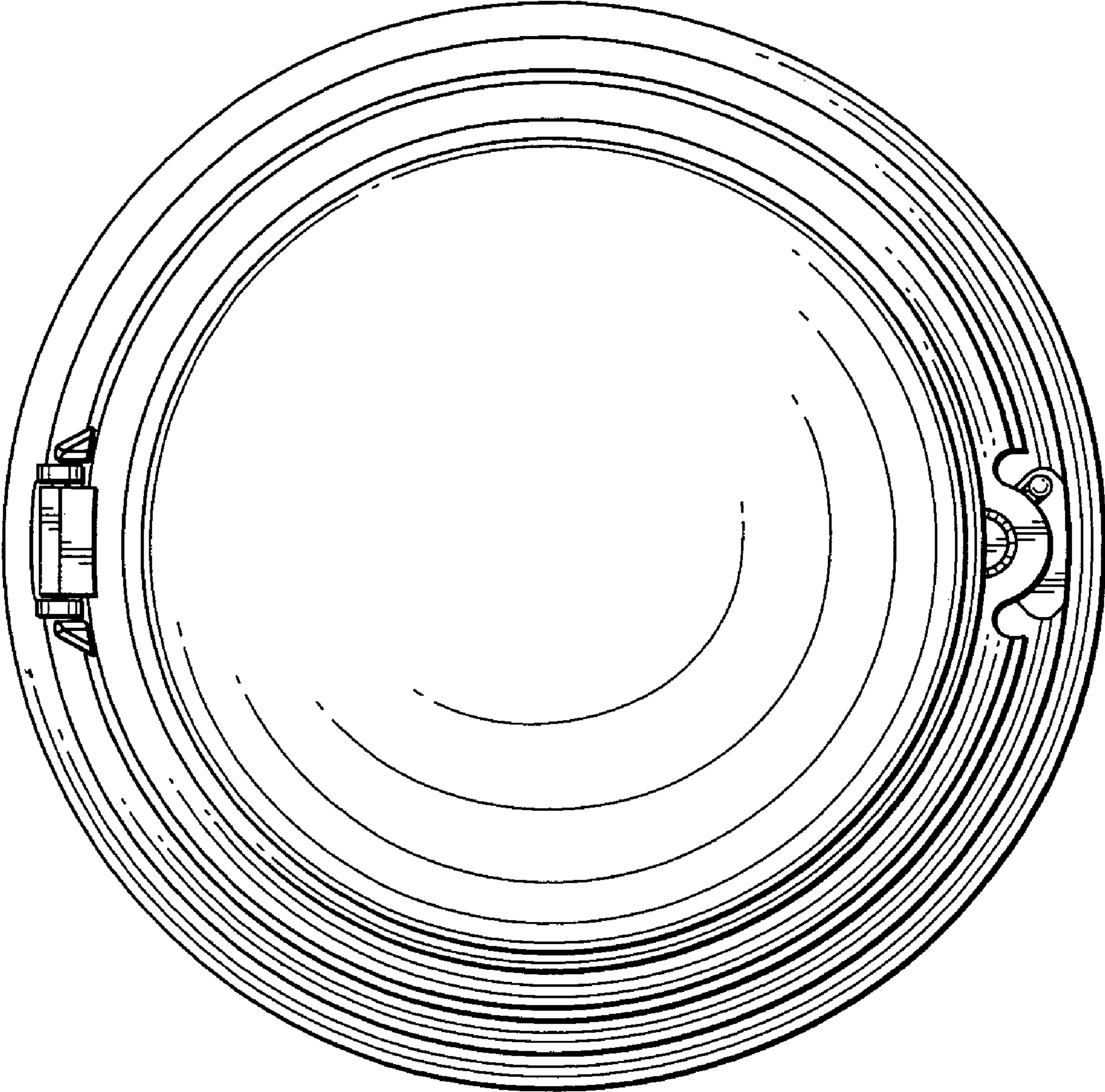


FIG. 5

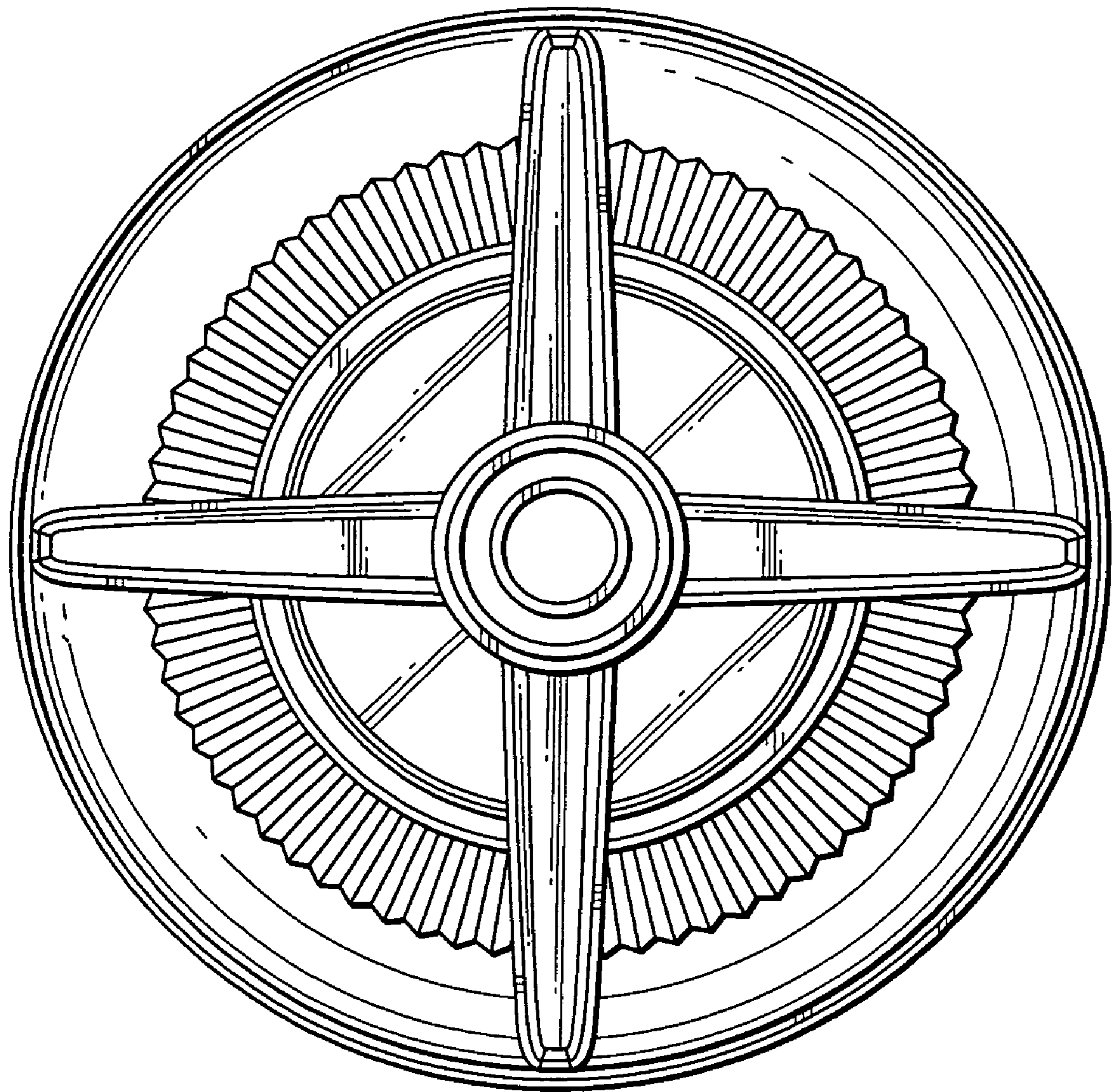


FIG. 6

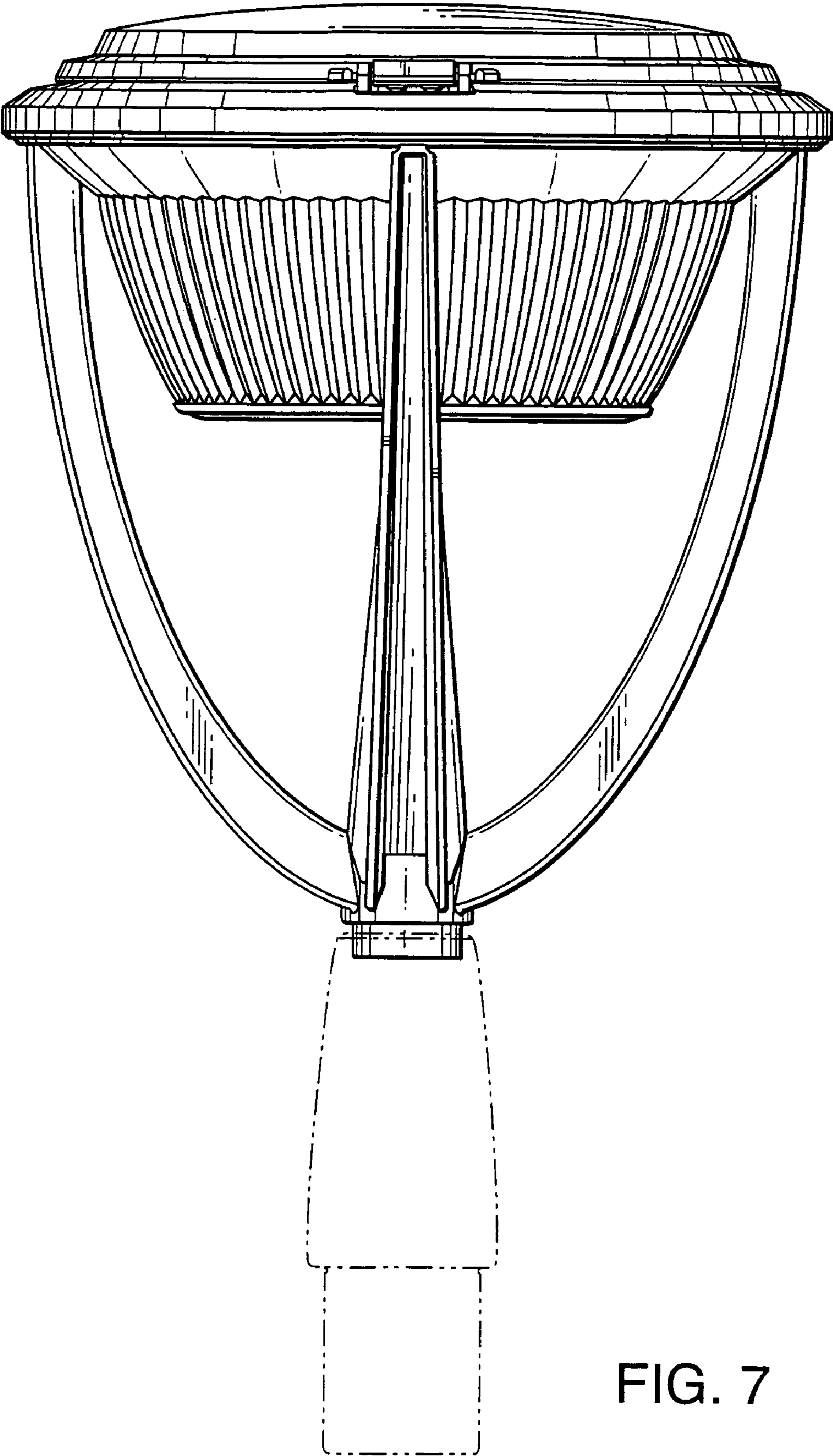


FIG. 7



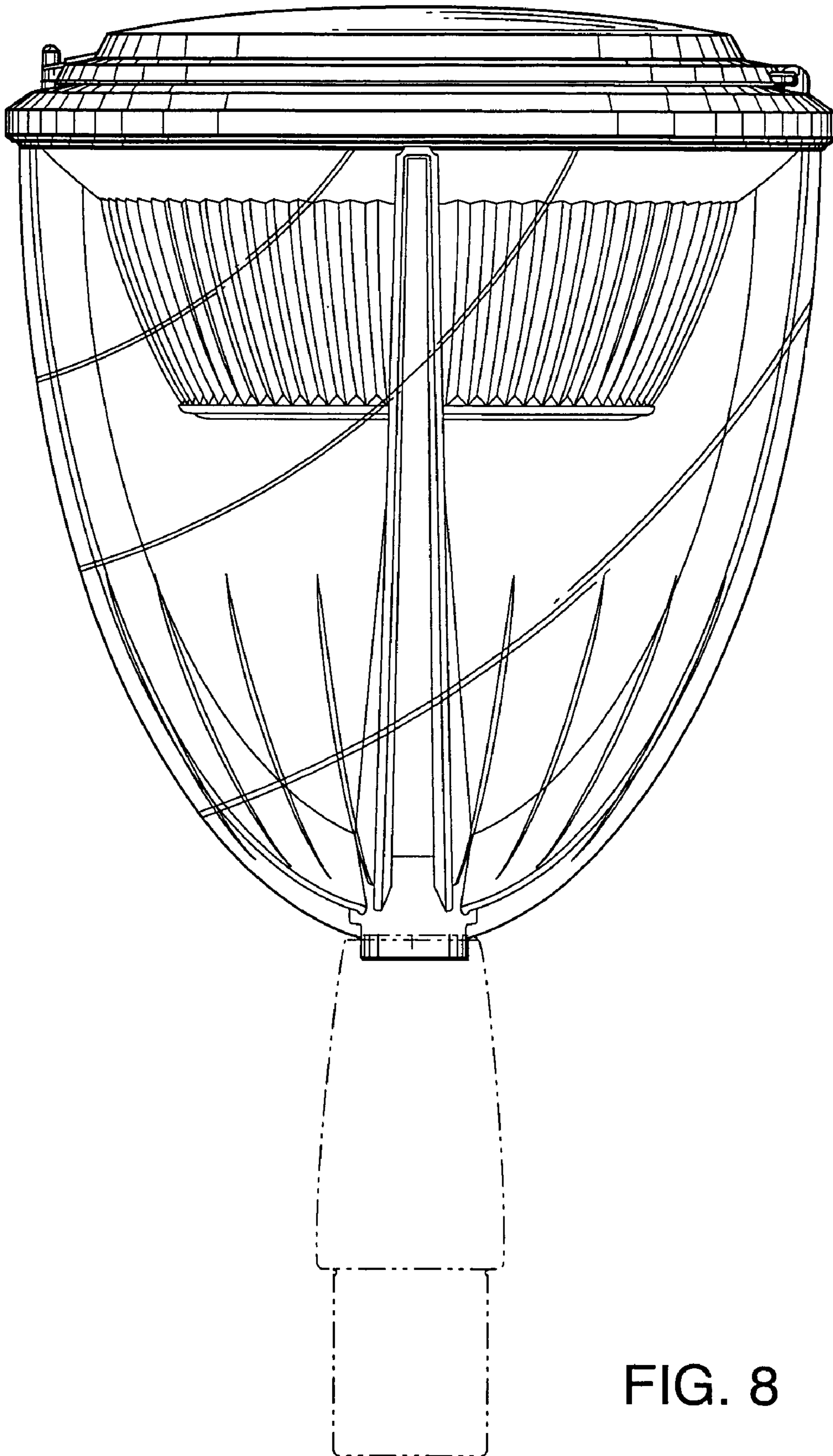


FIG. 8