



US00D554789S

(12) **United States Design Patent**
Huang

(10) **Patent No.:** **US D554,789 S**

(45) **Date of Patent:** **** Nov. 6, 2007**

(54) **TABLE LAMP**

GB 2024622 * 1/1993
GB 2080031 * 3/1999

(76) Inventor: **Huo-Tu Huang**, No.9, Lane 379,
Chung-Hwa Rd., Su-Lin, Taipei Hsien
(TW)

* cited by examiner

(**) Term: **14 Years**

Primary Examiner—Cathron C. Brooks

Assistant Examiner—Barbara Fox

(21) Appl. No.: **29/266,058**

(74) *Attorney, Agent, or Firm*—Bacon & Thomas, PLLC

(22) Filed: **Sep. 14, 2006**

(57) **CLAIM**

(51) **LOC (8) Cl.** **26-05**

The ornamental design for table lamp, as shown and described.

(52) **U.S. Cl.** **D26/65**

(58) **Field of Classification Search** D26/14,
D26/60–66, 107; 362/410, 413, 414, 418,
362/419, 427, 285, 287, 282, 277, 275, 274,
362/271, 270, 269, 431

See application file for complete search history.

DESCRIPTION

(56) **References Cited**

FIG. 1. is a perspective view of table lamp showing my new design;

U.S. PATENT DOCUMENTS

FIG. 2. is a front elevational view thereof;

D333,528 S * 2/1993 Blet D26/62
D436,205 S * 1/2001 Huang D26/63
D504,188 S * 4/2005 Chan D26/66
D526,080 S * 8/2006 Ancona et al. D26/65
D528,691 S * 9/2006 Waldmann D26/65

FIG. 3. is a rear elevational view thereof;

FIG. 4. is a left side elevational view thereof;

FIG. 5. is a right side elevational view thereof;

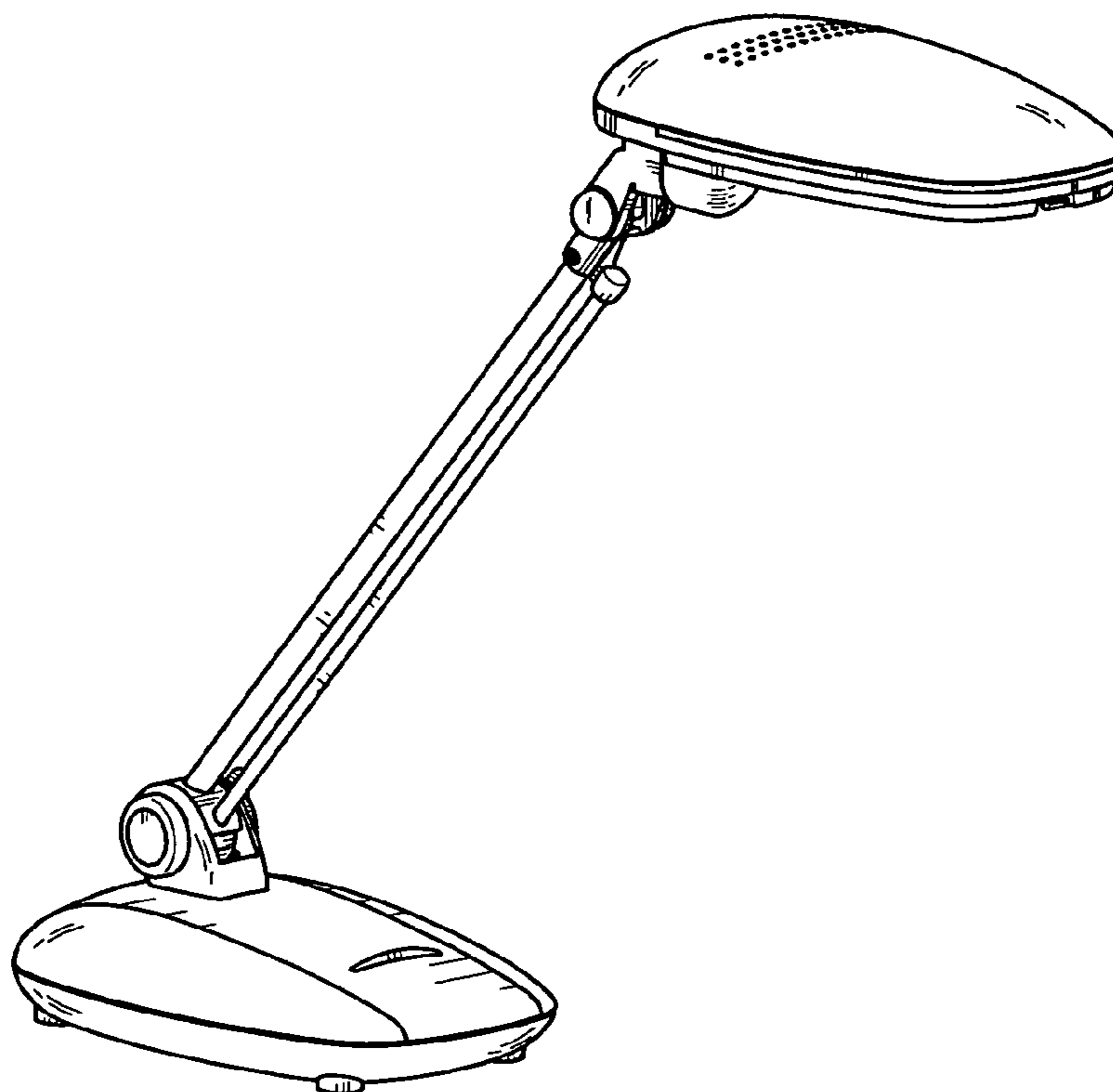
FIG. 6. is a top plan view thereof; and,

FIG. 7. is a bottom plan view thereof.

FOREIGN PATENT DOCUMENTS

DE DM/062846 * 9/2002

1 Claim, 6 Drawing Sheets



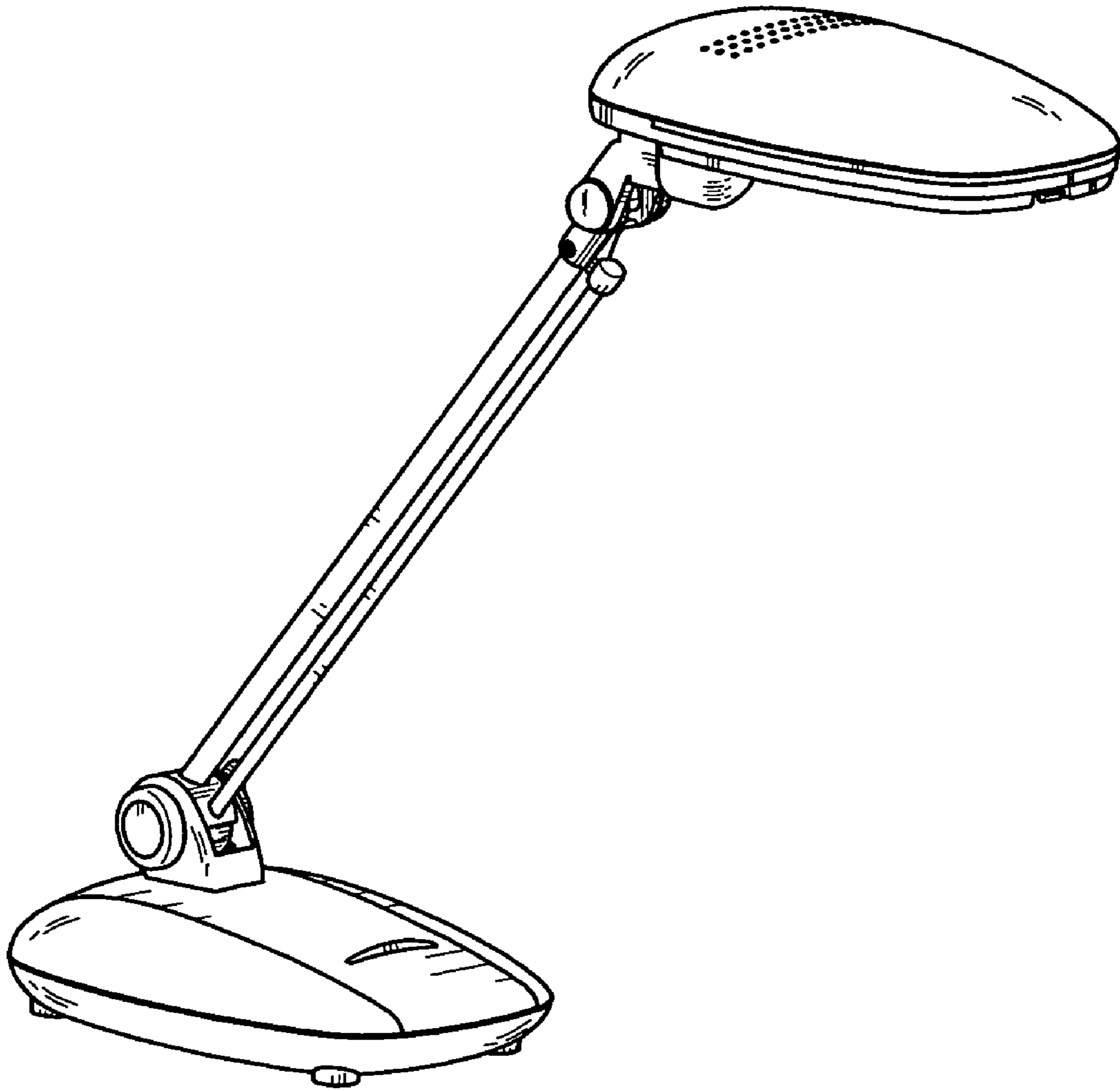


FIG. 1

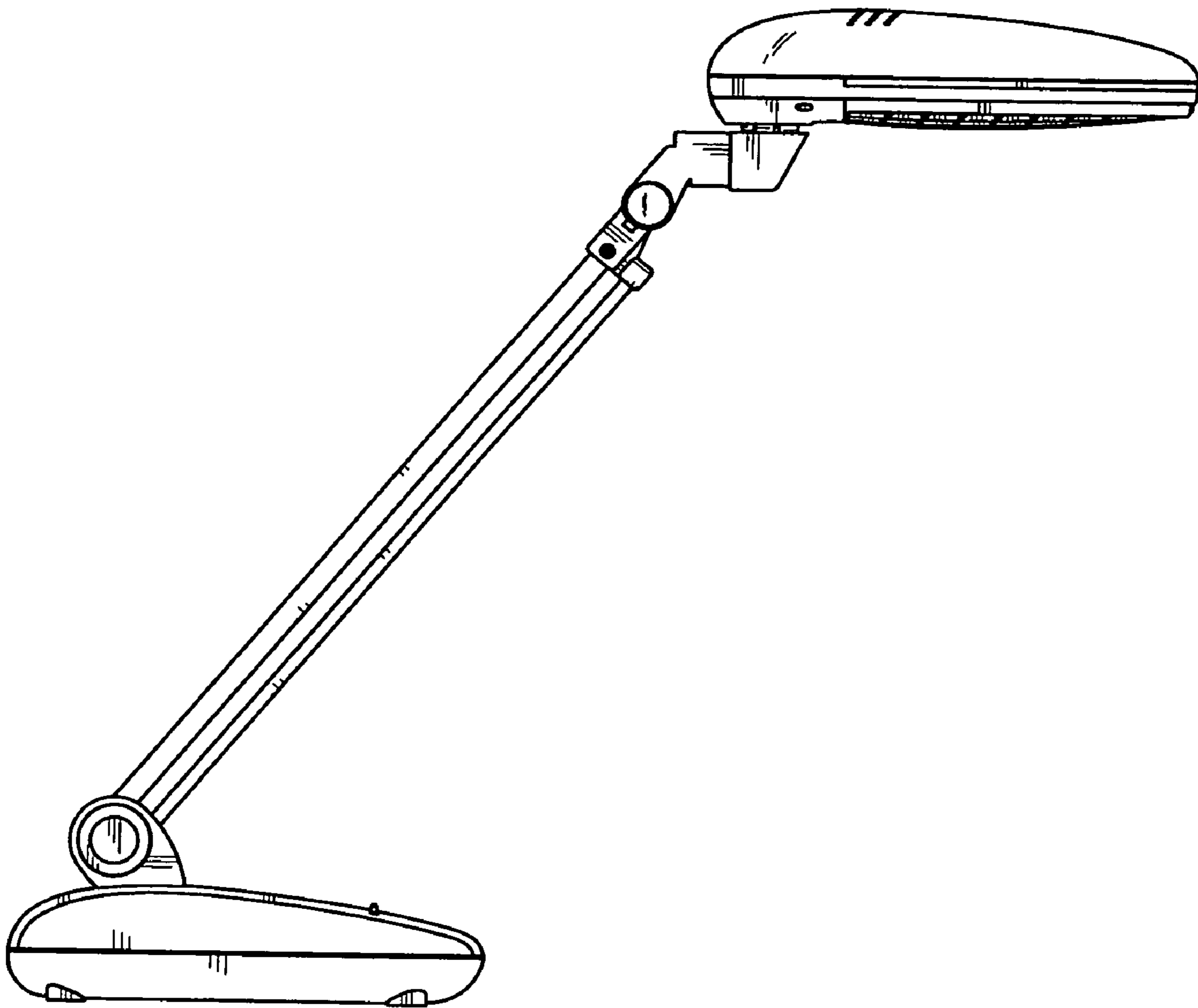


FIG. 2

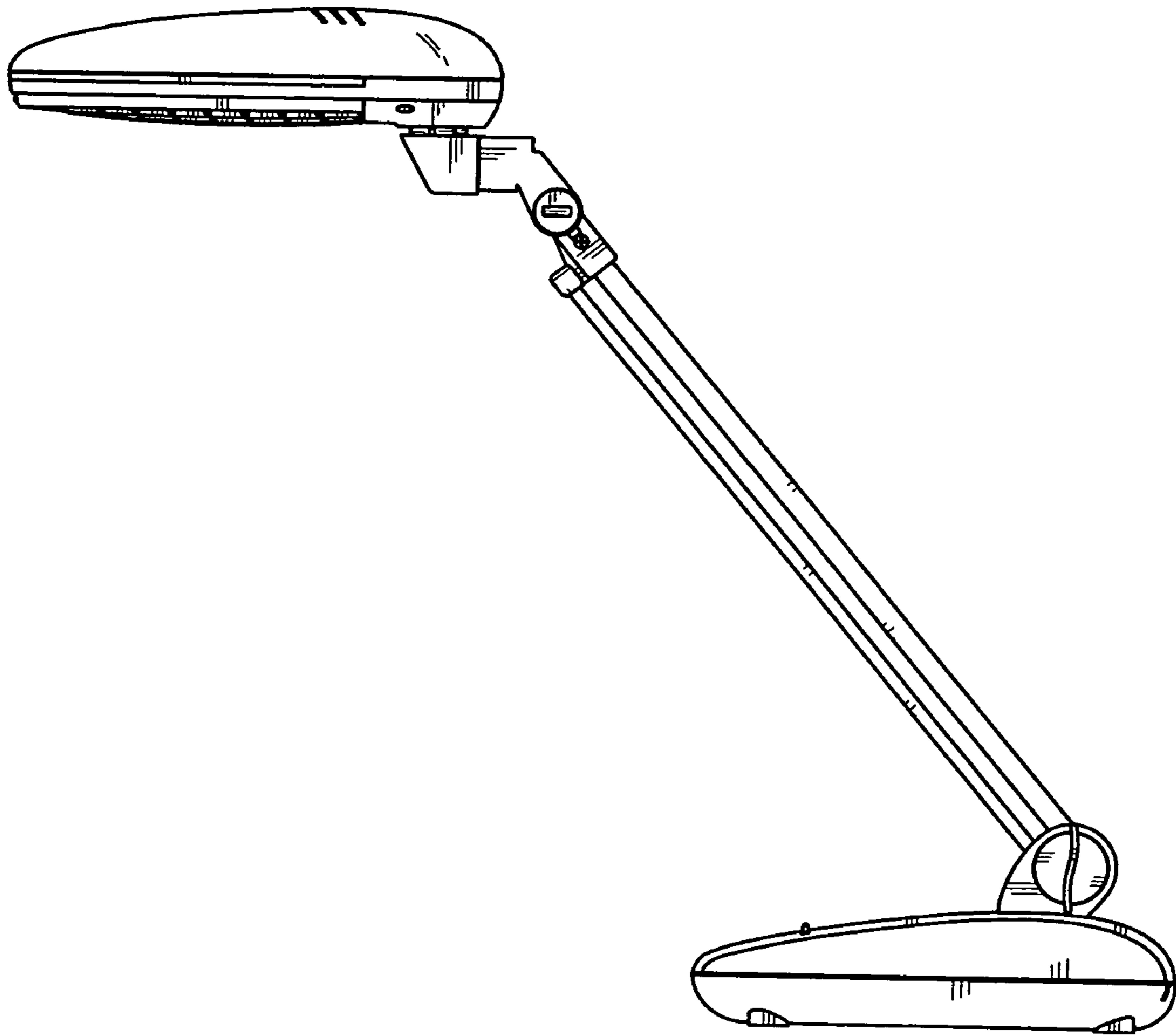


FIG. 3

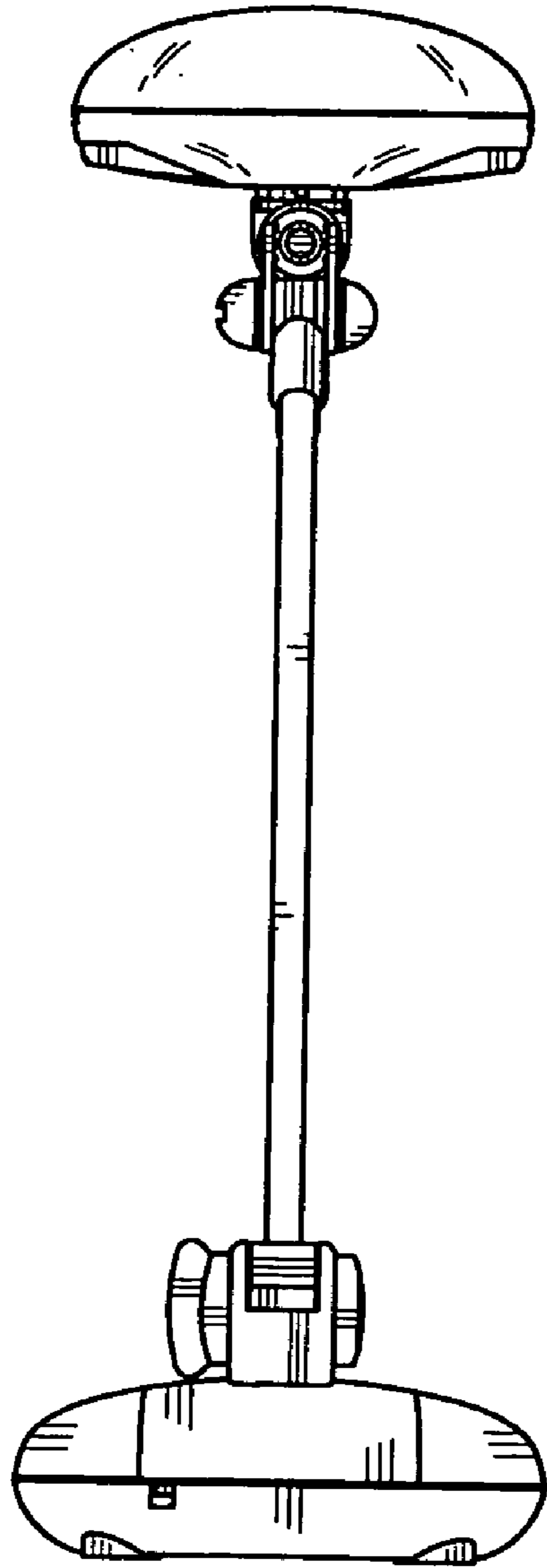


FIG. 4

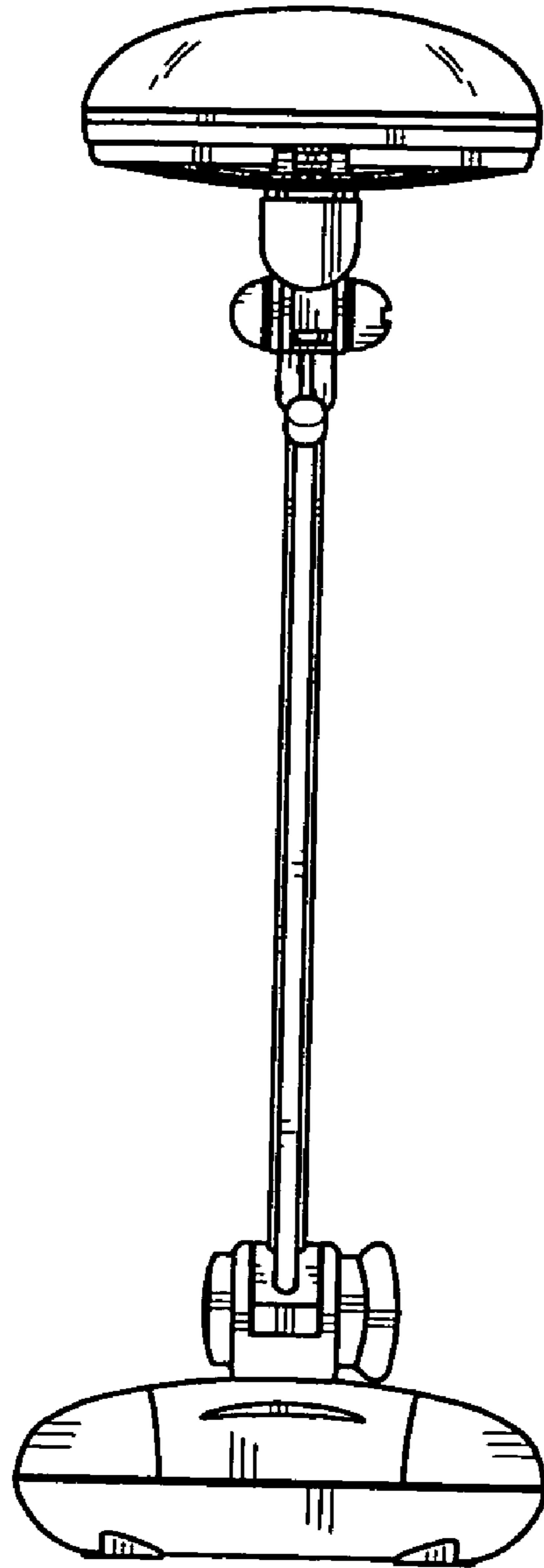


FIG. 5

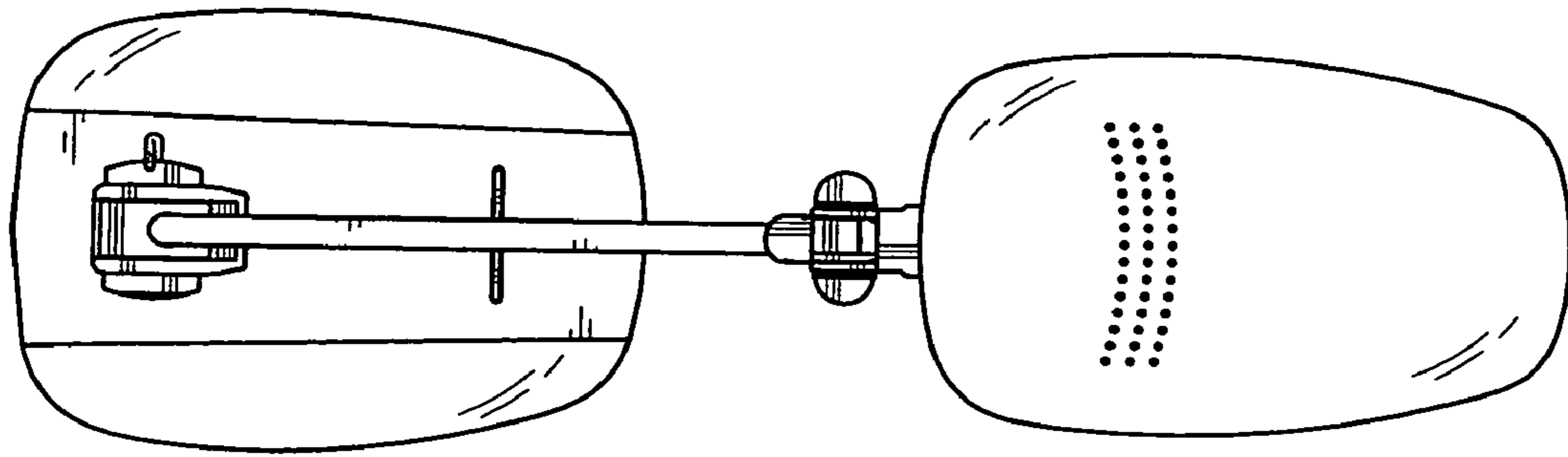


FIG. 6

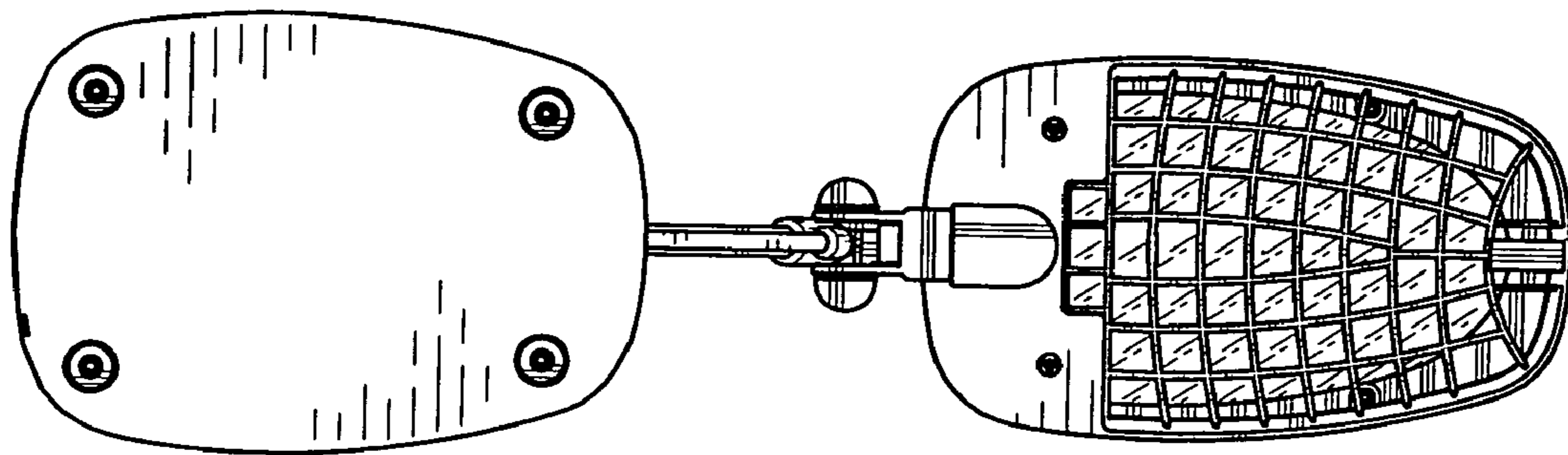


FIG. 7