



US00D554787S

(12) **United States Design Patent**
Shiu

(10) **Patent No.:** **US D554,787 S**

(45) **Date of Patent:** **** Nov. 6, 2007**

(54) **FLASHLIGHT**

D524,970 S * 7/2006 Shiu D26/49
D537,971 S * 3/2007 Shiu D26/49
D541,454 S * 4/2007 Galey D26/49

(75) **Inventor:** **Stephanie Wai Man Shiu**, Kowloon (HK)

(73) **Assignee:** **Gold Coral International Limited**, San Po Kong, Kowloon (HK)

(**) **Term:** **14 Years**

(21) **Appl. No.:** **29/278,299**

(22) **Filed:** **Mar. 23, 2007**

(30) **Foreign Application Priority Data**

Oct. 12, 2006 (HK) 0602629

(51) **LOC (8) Cl.** **26-02**

(52) **U.S. Cl.** **D26/49**

(58) **Field of Classification Search** D26/37-50;
362/157, 158, 171-174, 183-208

See application file for complete search history.

(56) **References Cited**

U.S. PATENT DOCUMENTS

D523,163 S * 6/2006 Man D26/49

* cited by examiner

Primary Examiner—Marcus A. Jackson

(74) *Attorney, Agent, or Firm*—Joseph G. Swan, PC

(57) **CLAIM**

The ornamental design for a flashlight, as shown and described.

DESCRIPTION

FIG. 1 is a front elevational view of a flashlight according to the present invention.

FIG. 2 is a top plan view of the flashlight.

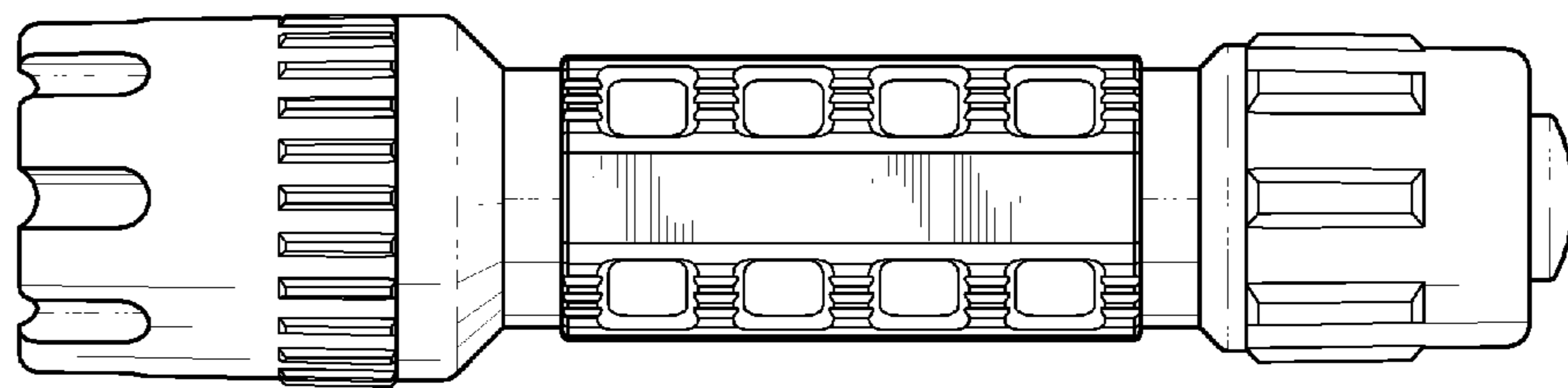
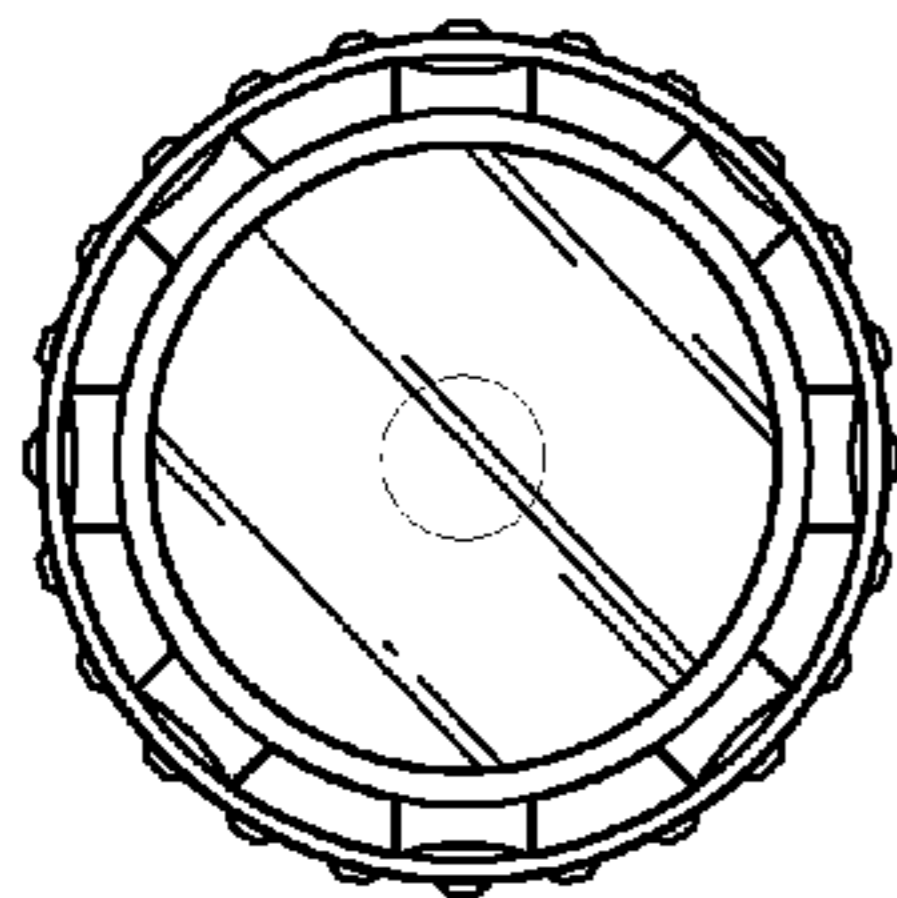
FIG. 3 is a rear elevational view of the flashlight.

FIG. 4 is a bottom plan view of the flashlight.

FIG. 5 is a left side elevational view of the flashlight; and,

FIG. 6 is a right side elevational view of the flashlight.

1 Claim, 2 Drawing Sheets



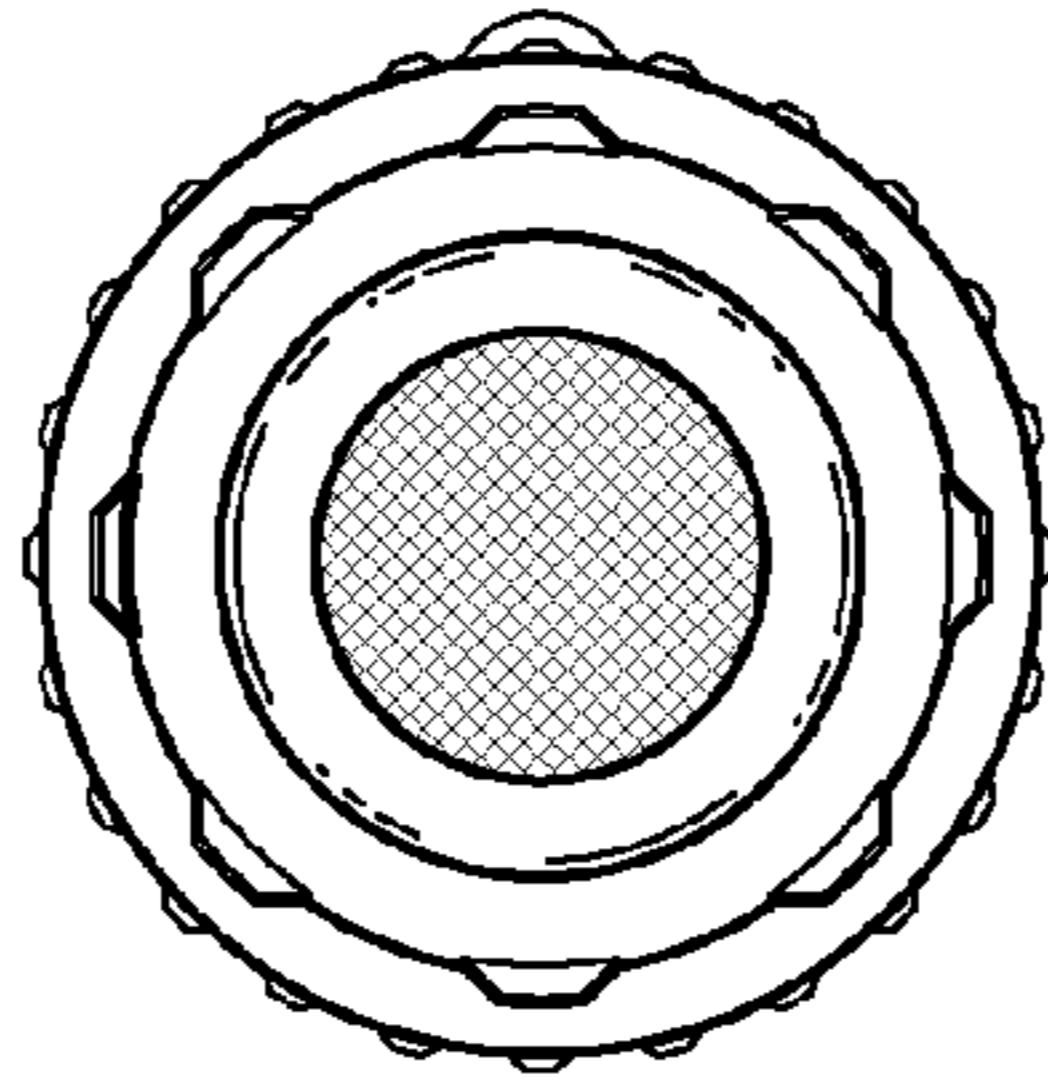


FIG. 3

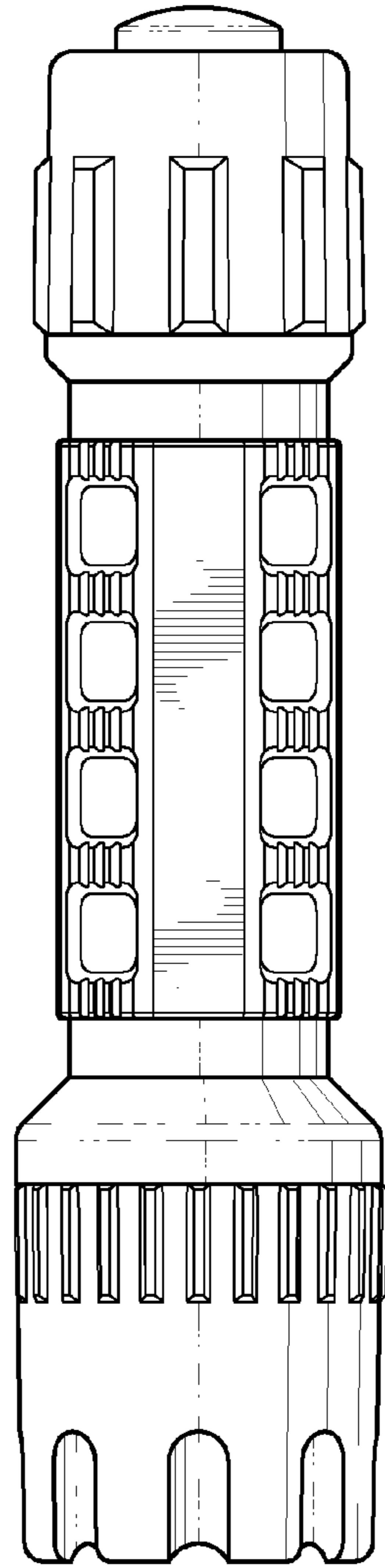


FIG. 2

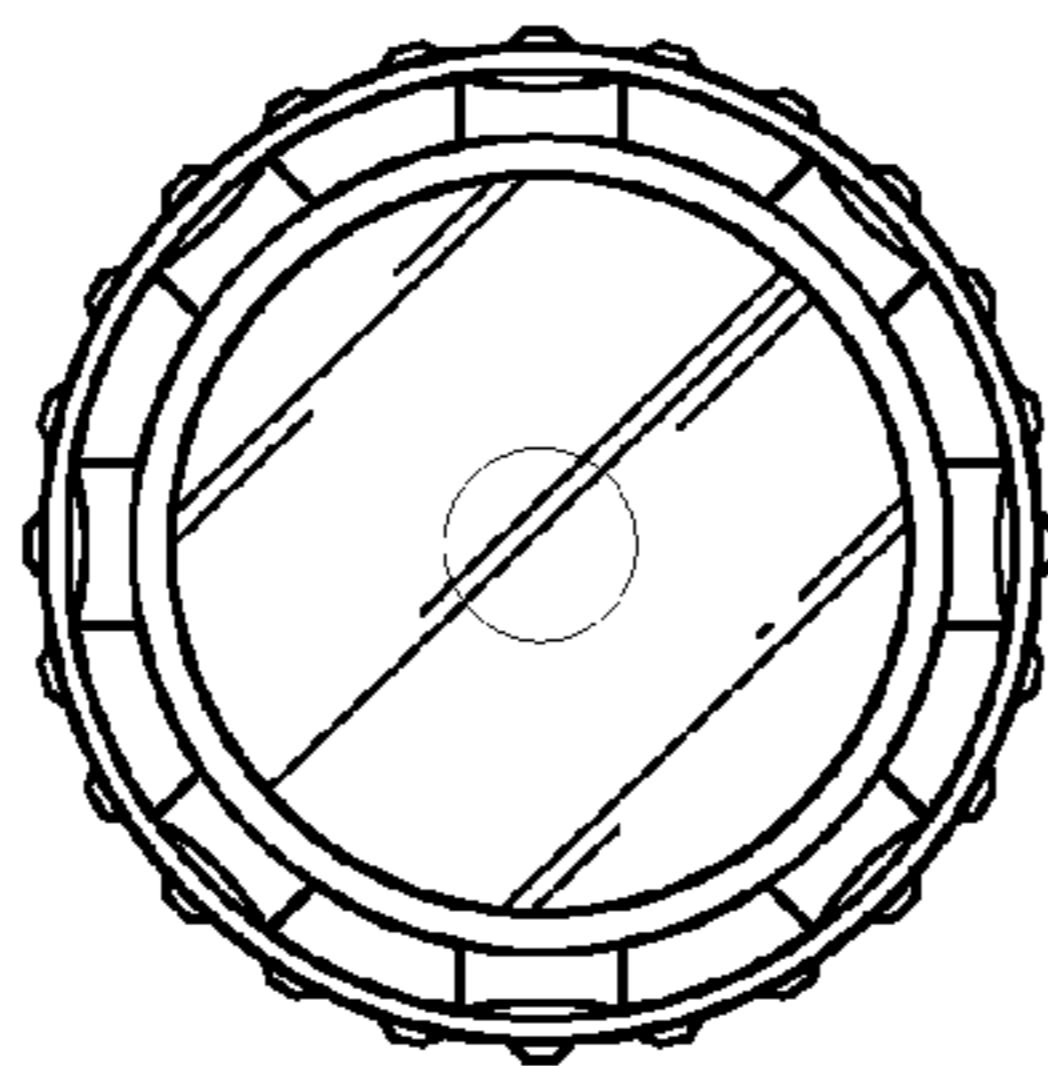


FIG. 1

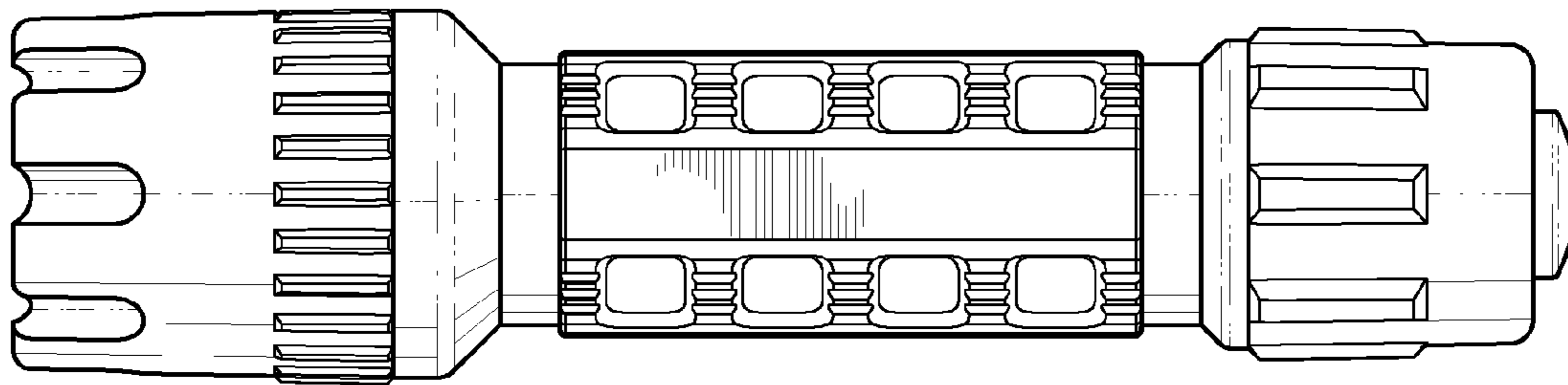


FIG. 4

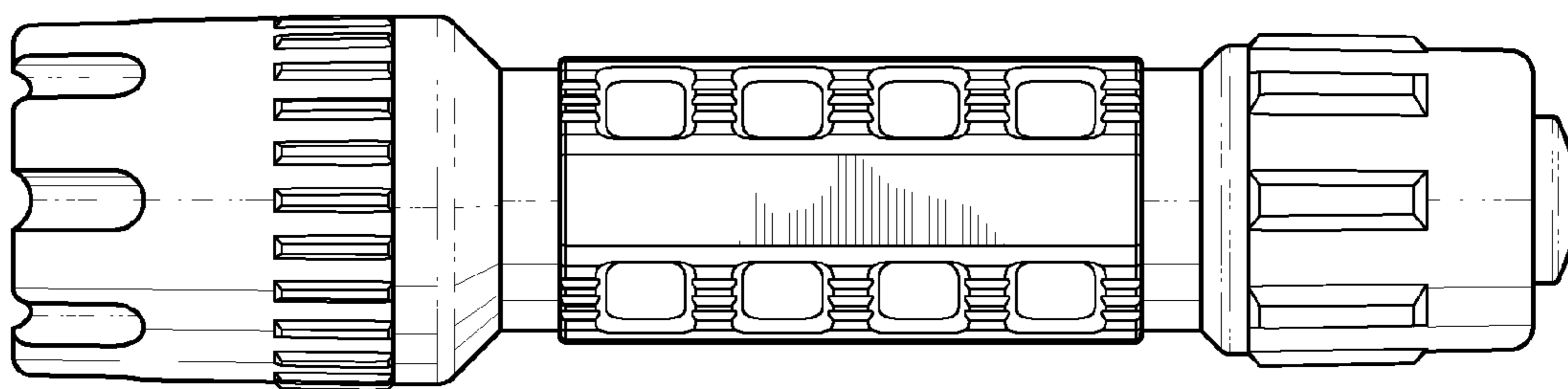


FIG. 5

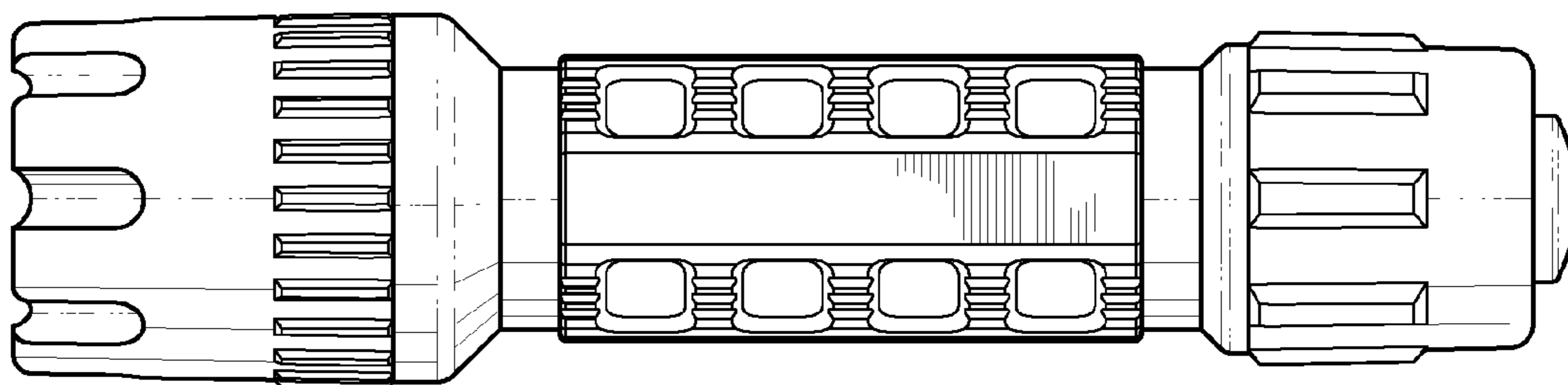


FIG. 6