



US00D554786S

(12) **United States Design Patent** (10) **Patent No.:** **US D554,786 S**
Rugendyke et al. (45) **Date of Patent:** **** Nov. 6, 2007**

(54) **FLASHLIGHT**

(75) Inventors: **Timothy Rugendyke**, Woy Woy (AU);
Peter McMillan, Wollstonecraft (AU)

(73) Assignee: **Eveready Battery Company, Inc.**, St.
Louis, MO (US)

(**) Term: **14 Years**

(21) Appl. No.: **29/268,133**

(22) Filed: **Oct. 31, 2006**

(30) **Foreign Application Priority Data**

May 5, 2006 (AU) 11984/06

(51) **LOC (8) Cl.** **26-02**

(52) **U.S. Cl.** **D26/49**

(58) **Field of Classification Search** D26/37,
D26/38, 41, 46, 49, 50; 362/157, 158, 183,
362/190, 191, 194, 195, 196, 197, 201, 202,
362/203, 205, 208

See application file for complete search history.

(56) **References Cited**

U.S. PATENT DOCUMENTS

D197,082 S * 12/1963 Oakley et al. D26/49
D336,966 S * 6/1993 Yau D26/49

D360,045 S * 7/1995 Inukai D26/49
D363,564 S * 10/1995 Kish et al. D26/49
D421,145 S * 2/2000 Man D26/49
D422,733 S * 4/2000 Kung D26/49
D445,522 S * 7/2001 Chiu D26/49
D472,006 S * 3/2003 Fritz D26/49
D488,876 S * 4/2004 Kotani D26/49

* cited by examiner

Primary Examiner—Ian Simmons

Assistant Examiner—Carissa C Fitts

(74) *Attorney, Agent, or Firm*—Gregory J. Adams

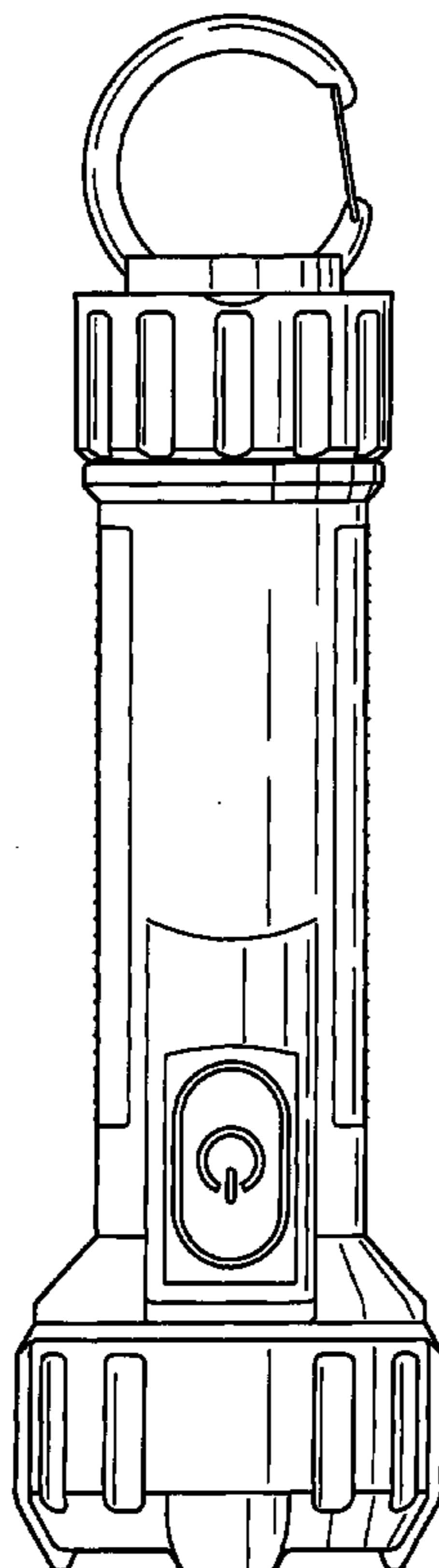
(57) **CLAIM**

The ornamental design for a flashlight, as shown and described.

DESCRIPTION

FIG. 1 is a top view of the flashlight of the present invention;
FIG. 2 is a bottom view thereof;
FIG. 3 is a left side view thereof;
FIG. 4 is a front view thereof;
FIG. 5 is a rear view thereof; and,
FIG. 6 is a top view thereof with the lanyard clip shown in an extended position.

1 Claim, 5 Drawing Sheets



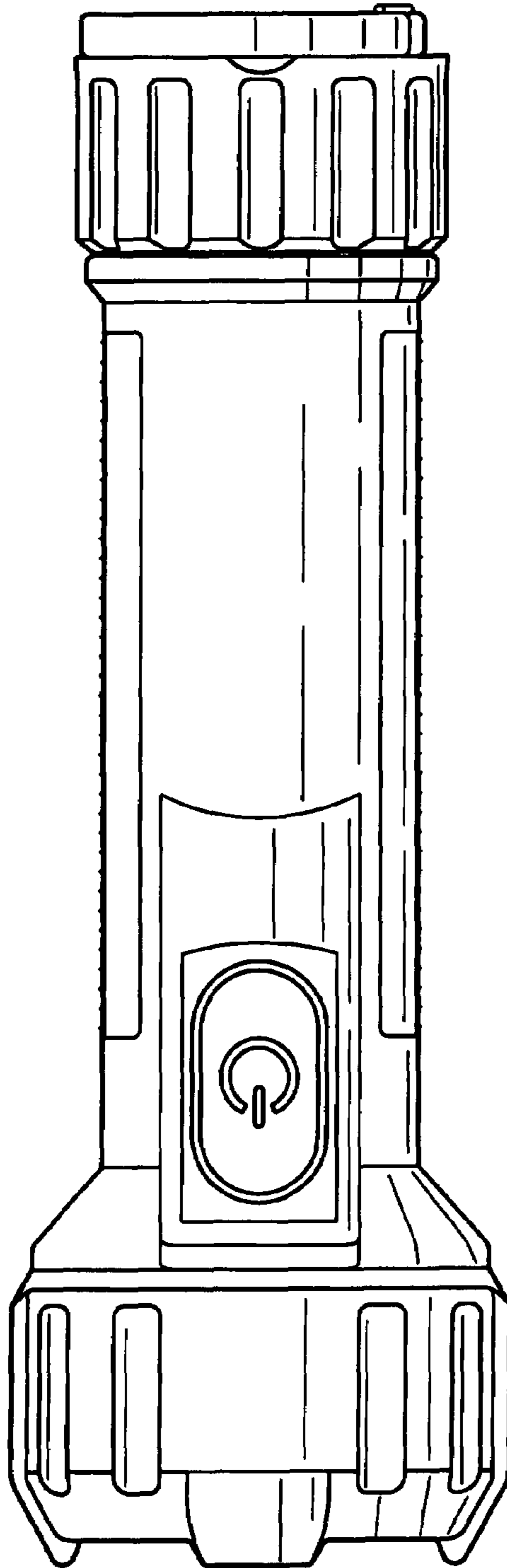


Fig. 1

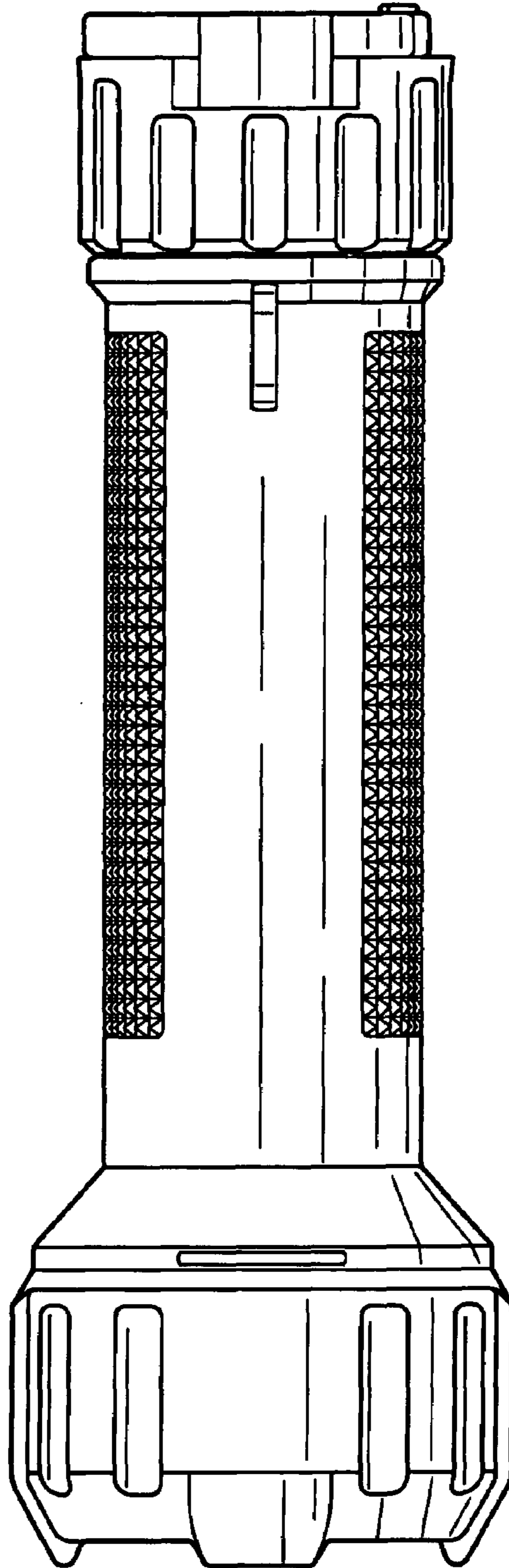


Fig. 2

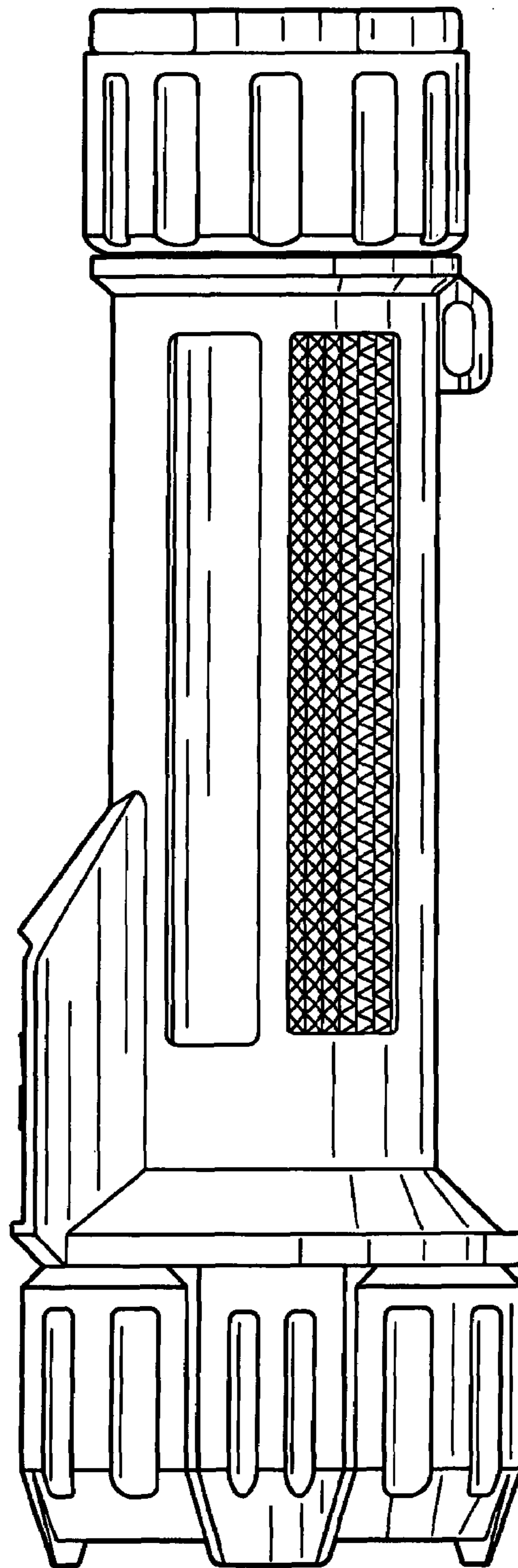


Fig. 3

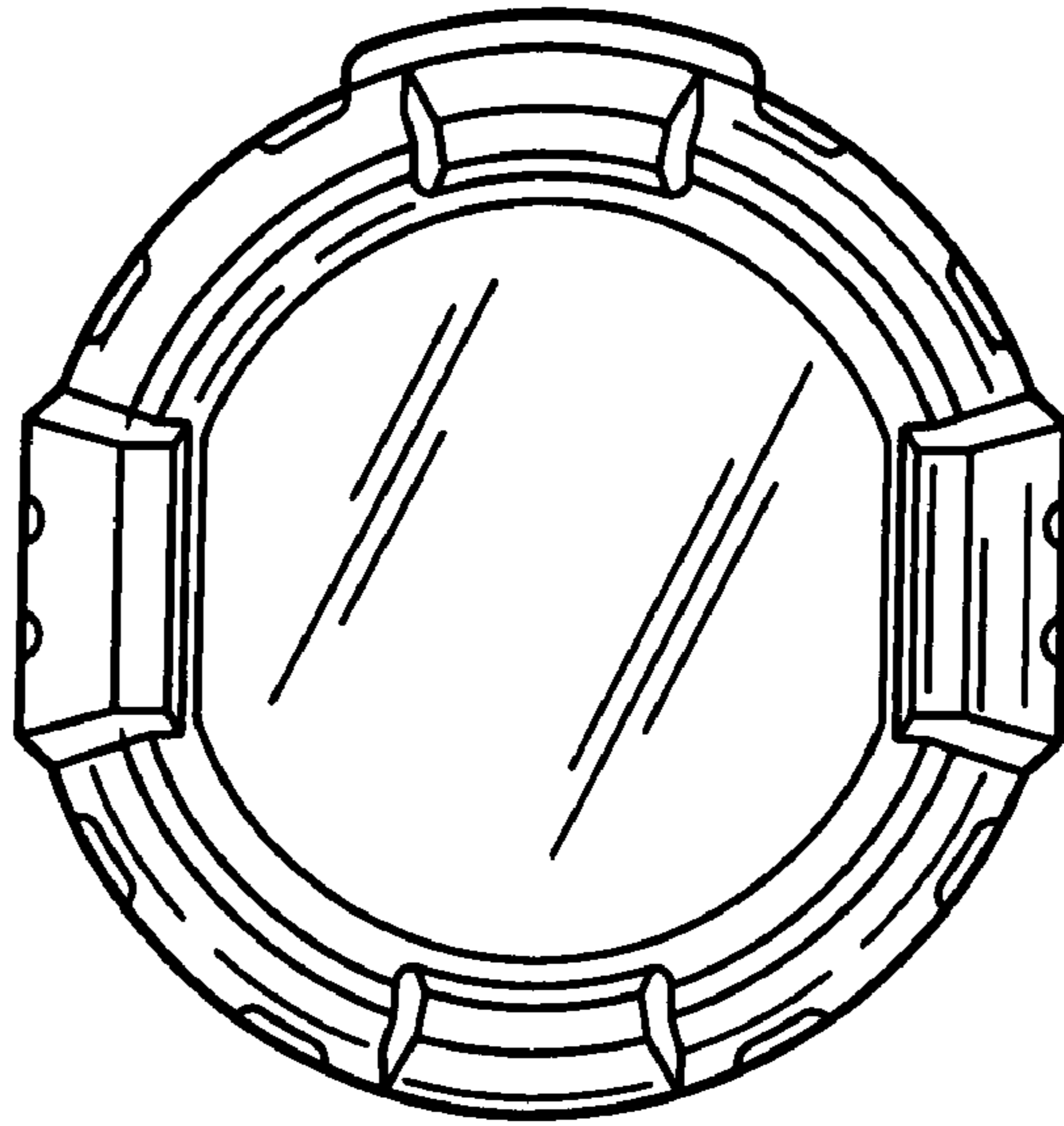


Fig. 4

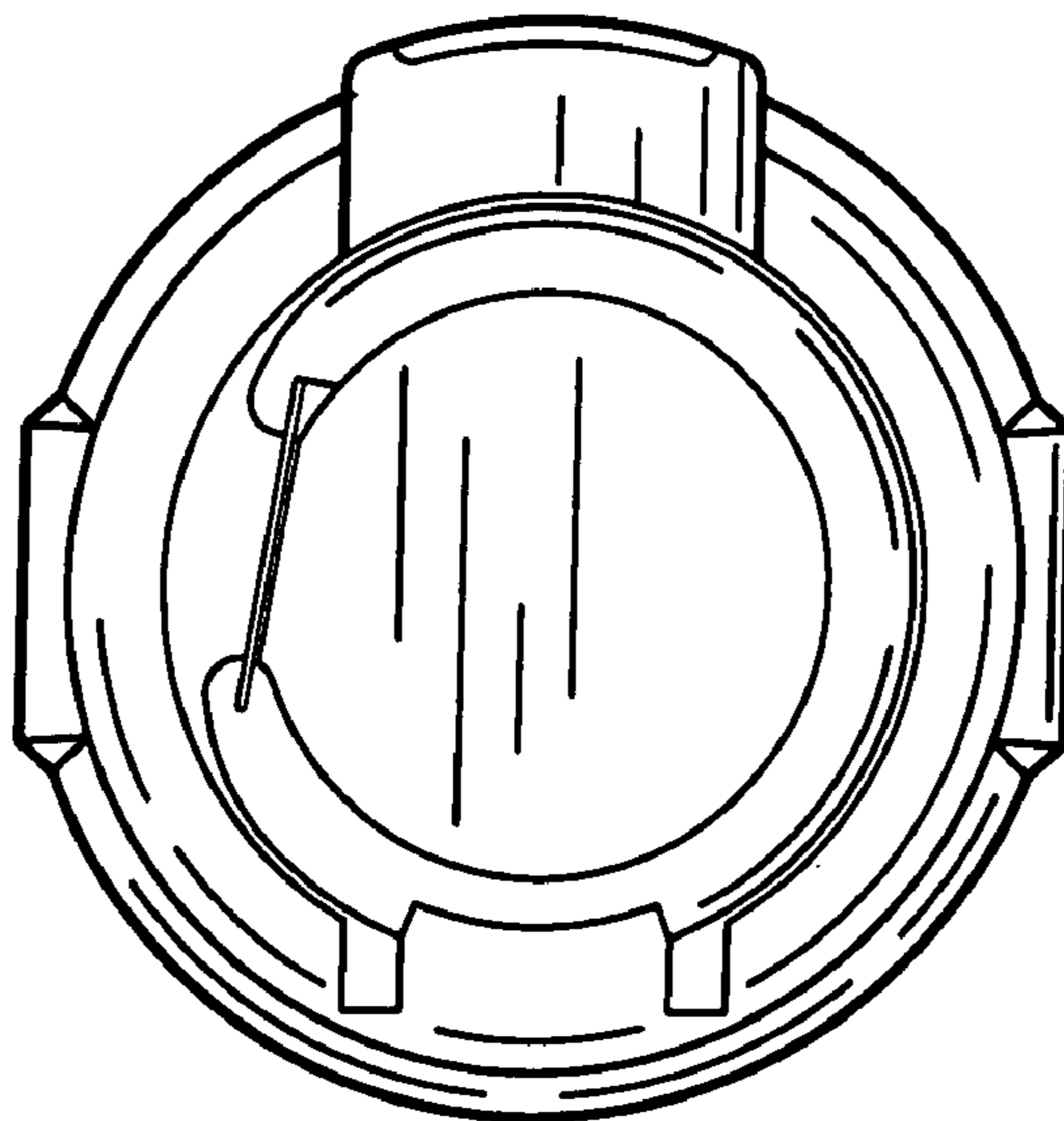


Fig. 5

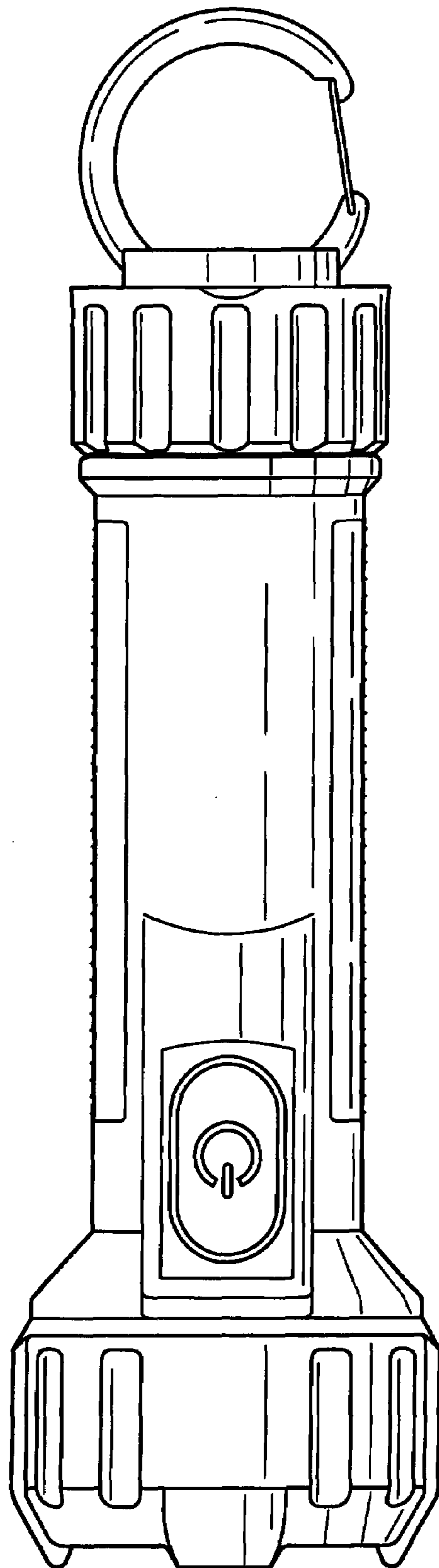


Fig. 6