



US00D554783S

(12) **United States Design Patent**  
**Shiu**

(10) **Patent No.:** **US D554,783 S**

(45) **Date of Patent:** **\*\* Nov. 6, 2007**

(54) **PORTABLE LIGHT SOURCE**

D527,127 S \* 8/2006 Petzl ..... D26/39  
D542,450 S \* 5/2007 Shiu ..... D26/60

(75) Inventor: **Stephanie Wai Man Shiu**, Kowloon (HK)

\* cited by examiner

(73) Assignee: **Gold Coral International Limited**, San Po Kong, Kowloon (HK)

*Primary Examiner*—Marcus A. Jackson  
(74) *Attorney, Agent, or Firm*—Joseph G. Swan, PC

(\*\*) Term: **14 Years**

(57) **CLAIM**

(21) Appl. No.: **29/278,300**

The ornamental design for a portable light source, as shown and described.

(22) Filed: **Mar. 23, 2007**

**DESCRIPTION**

(30) **Foreign Application Priority Data**

Oct. 12, 2006 (HK) ..... 0602628

FIG. 1 is a front elevational view of a portable light source according to the present invention.

(51) **LOC (8) Cl.** ..... **26-02**

FIG. 2 is a rear elevational view of the portable light source.

(52) **U.S. Cl.** ..... **D26/39**

FIG. 3 is a top plan view of the portable light source.

(58) **Field of Classification Search** ..... D26/37-50;  
362/157, 158, 171-174, 183-208

FIG. 4 is a bottom plan view of the portable light source.

See application file for complete search history.

FIG. 5 is a right side elevational view of the portable light source; and,

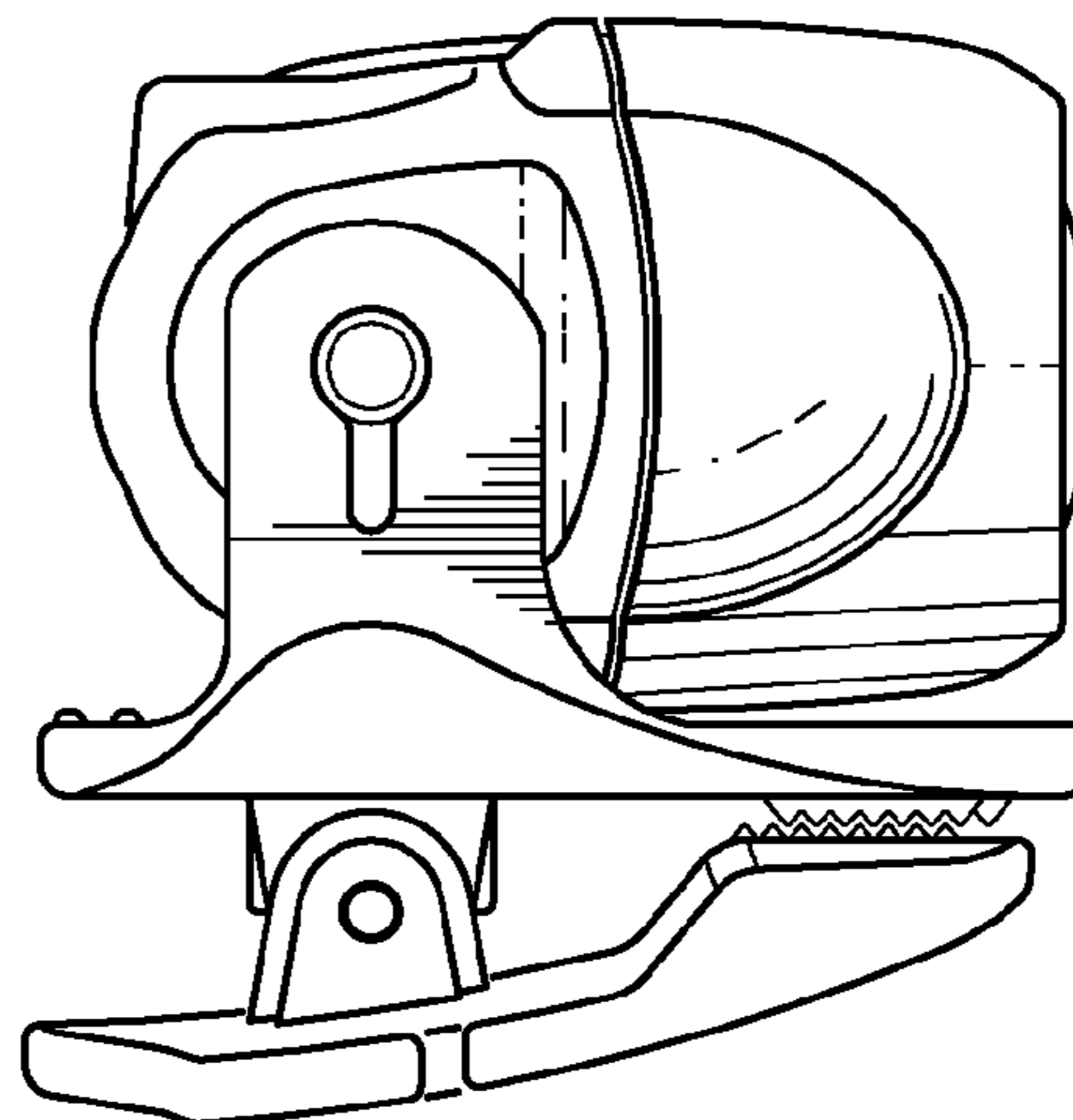
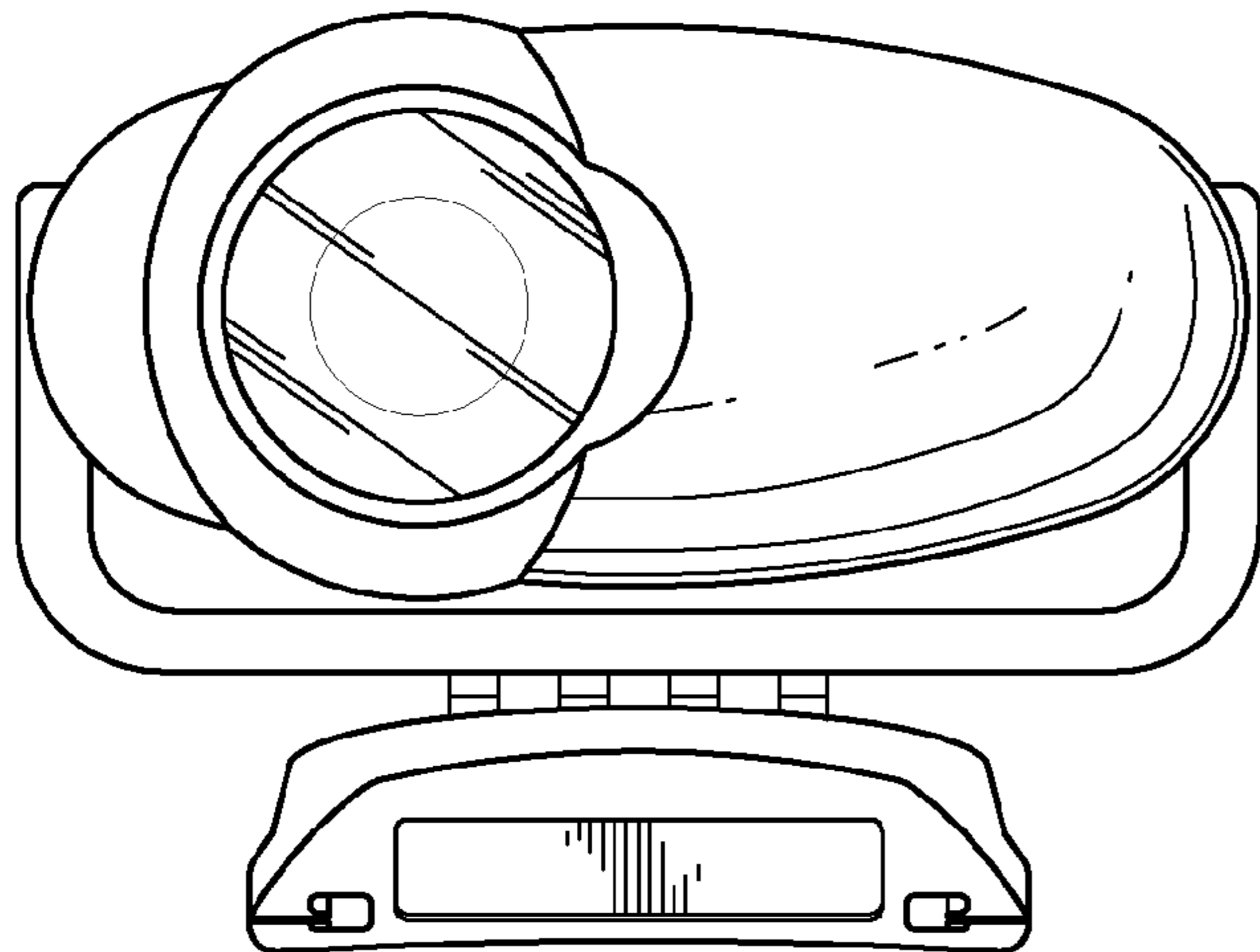
(56) **References Cited**

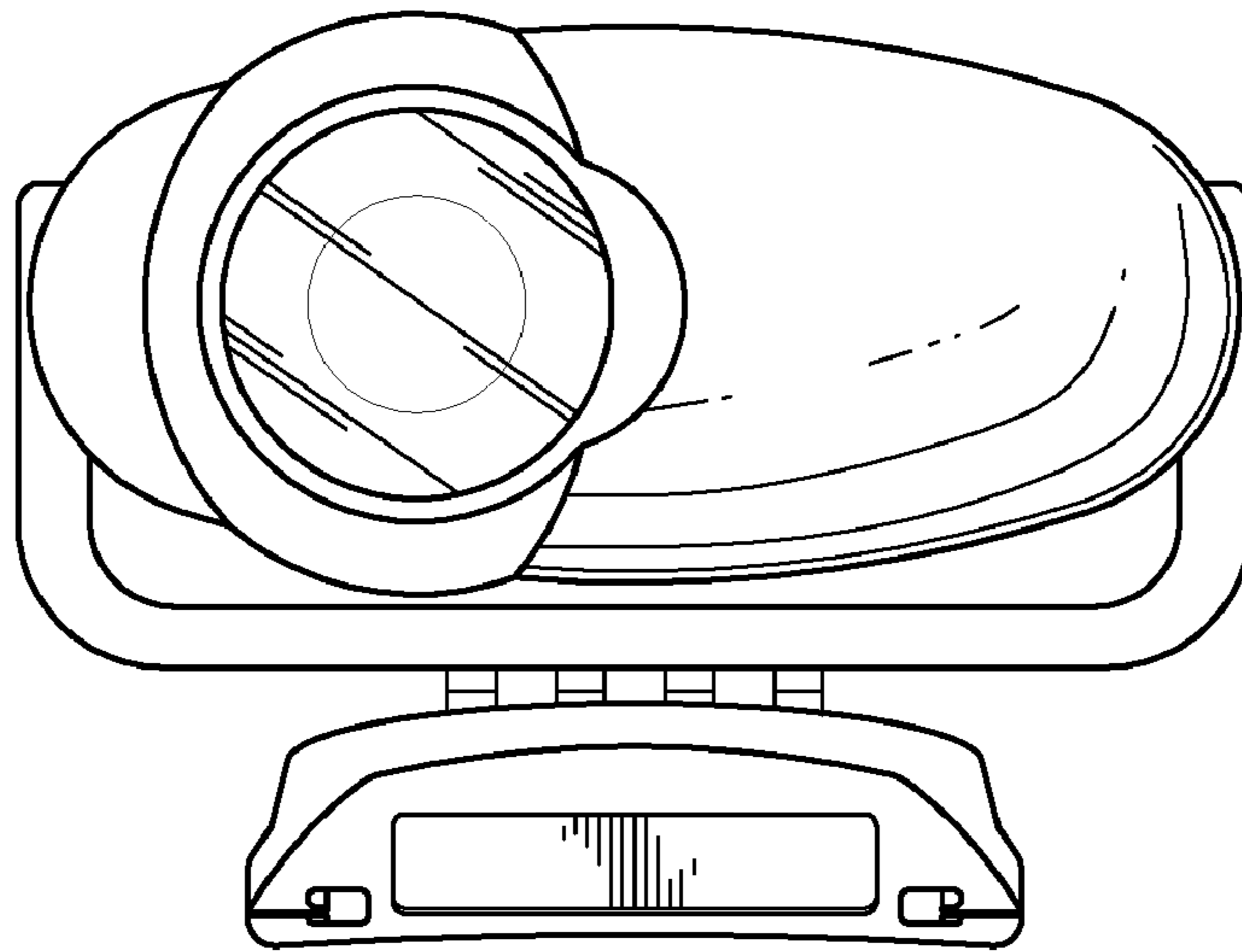
FIG. 6 is a left side elevational view of the portable light source.

**U.S. PATENT DOCUMENTS**

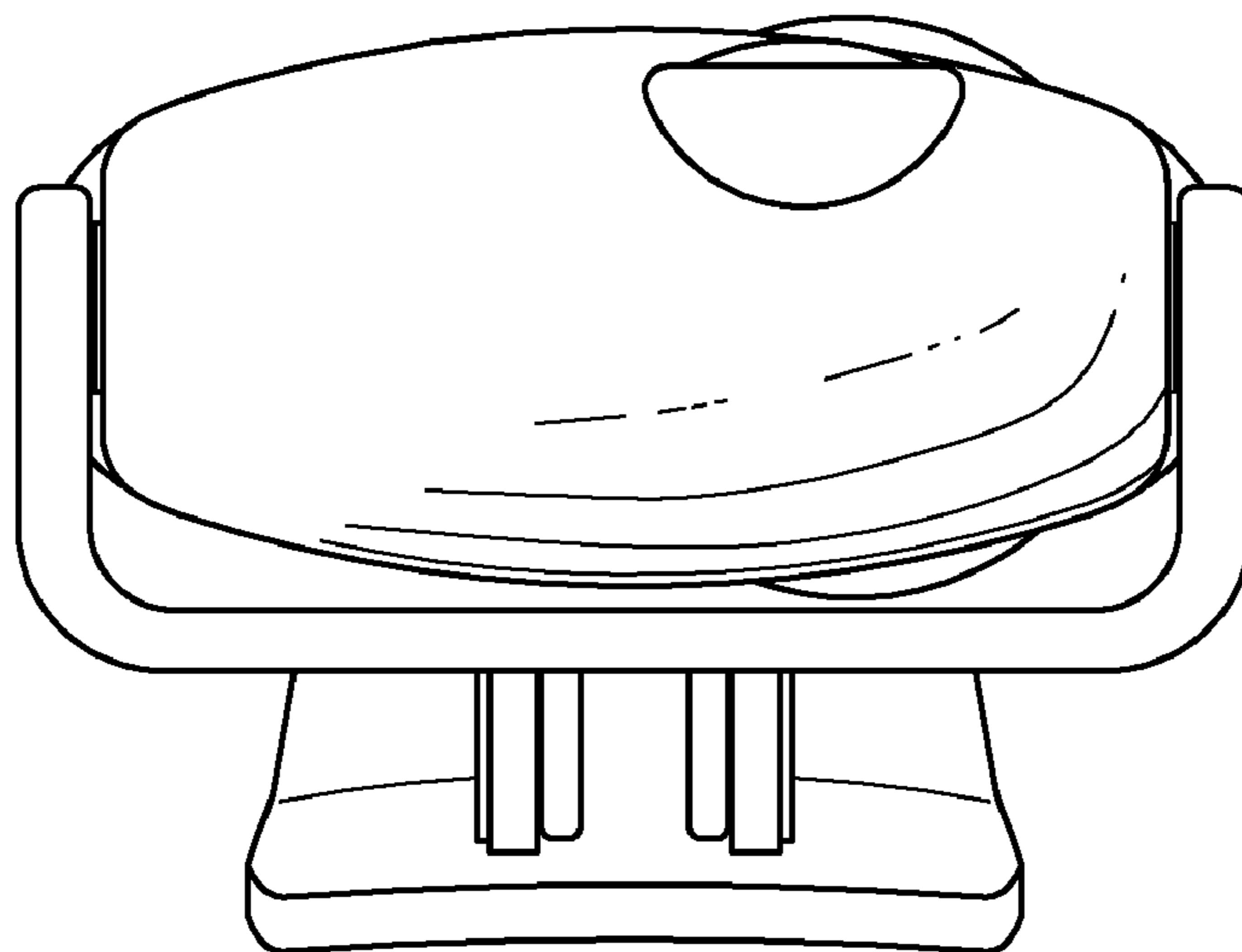
D447,586 S \* 9/2001 Shing ..... D26/39

**1 Claim, 3 Drawing Sheets**

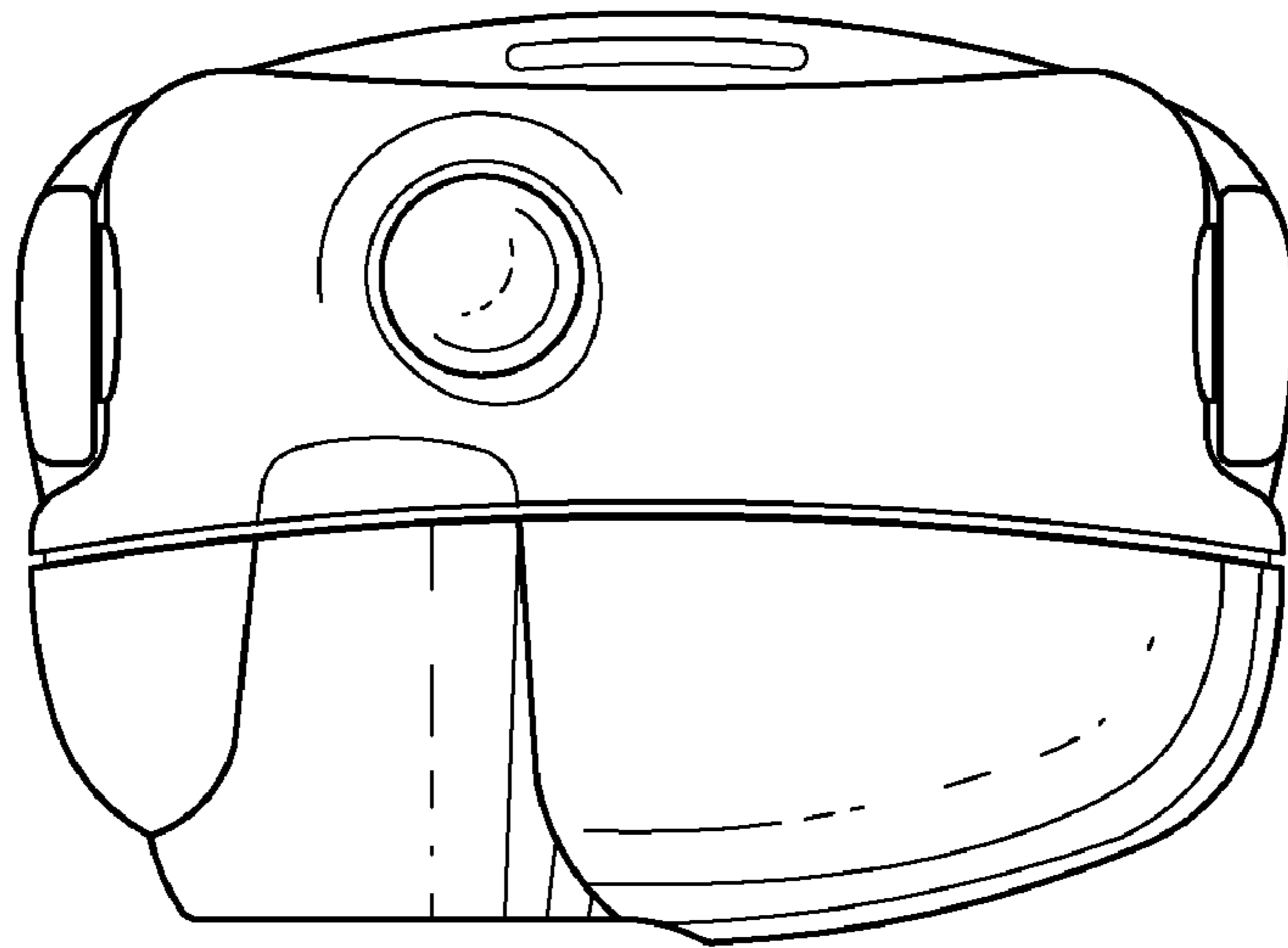




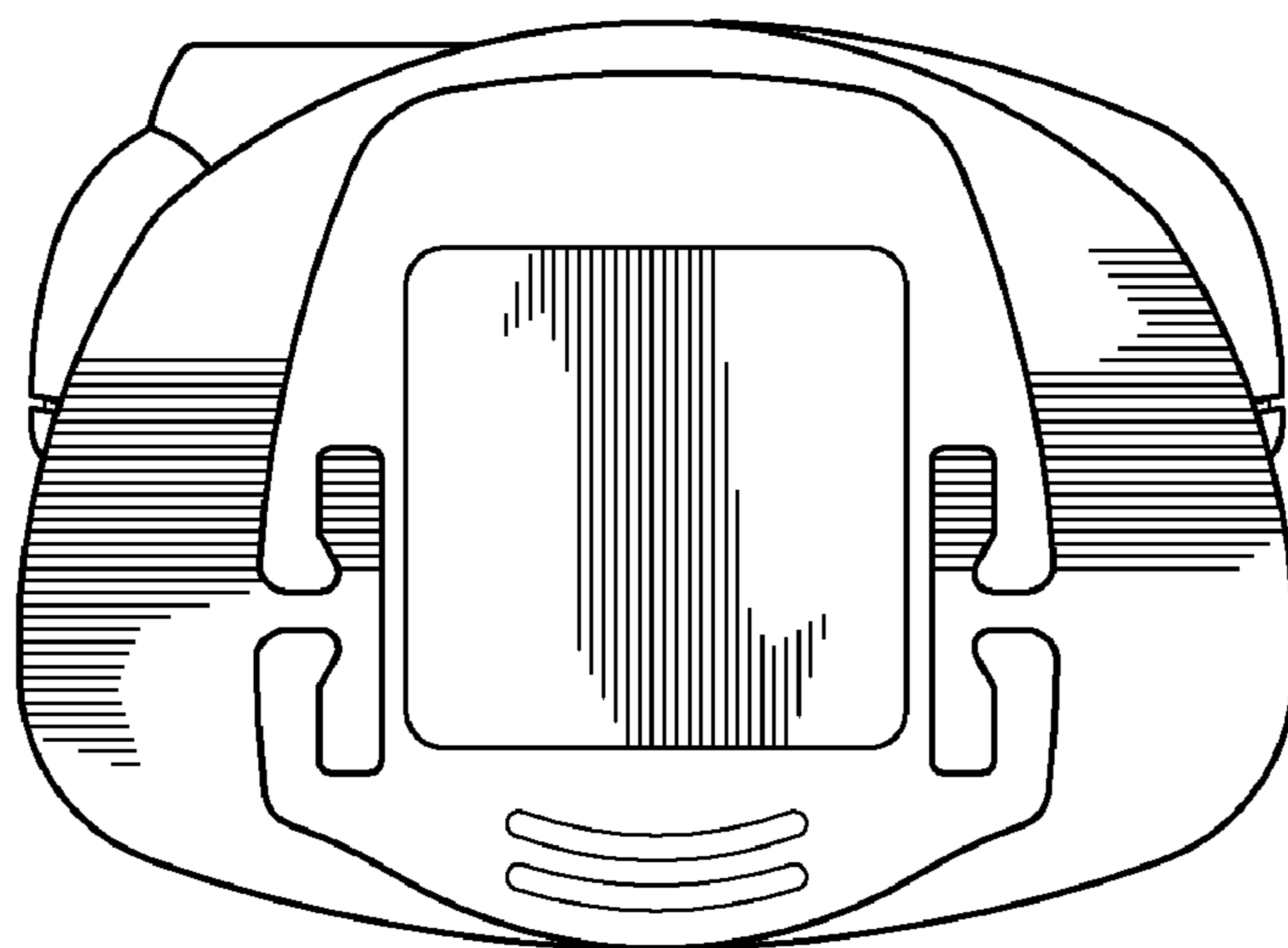
*FIG. 1*



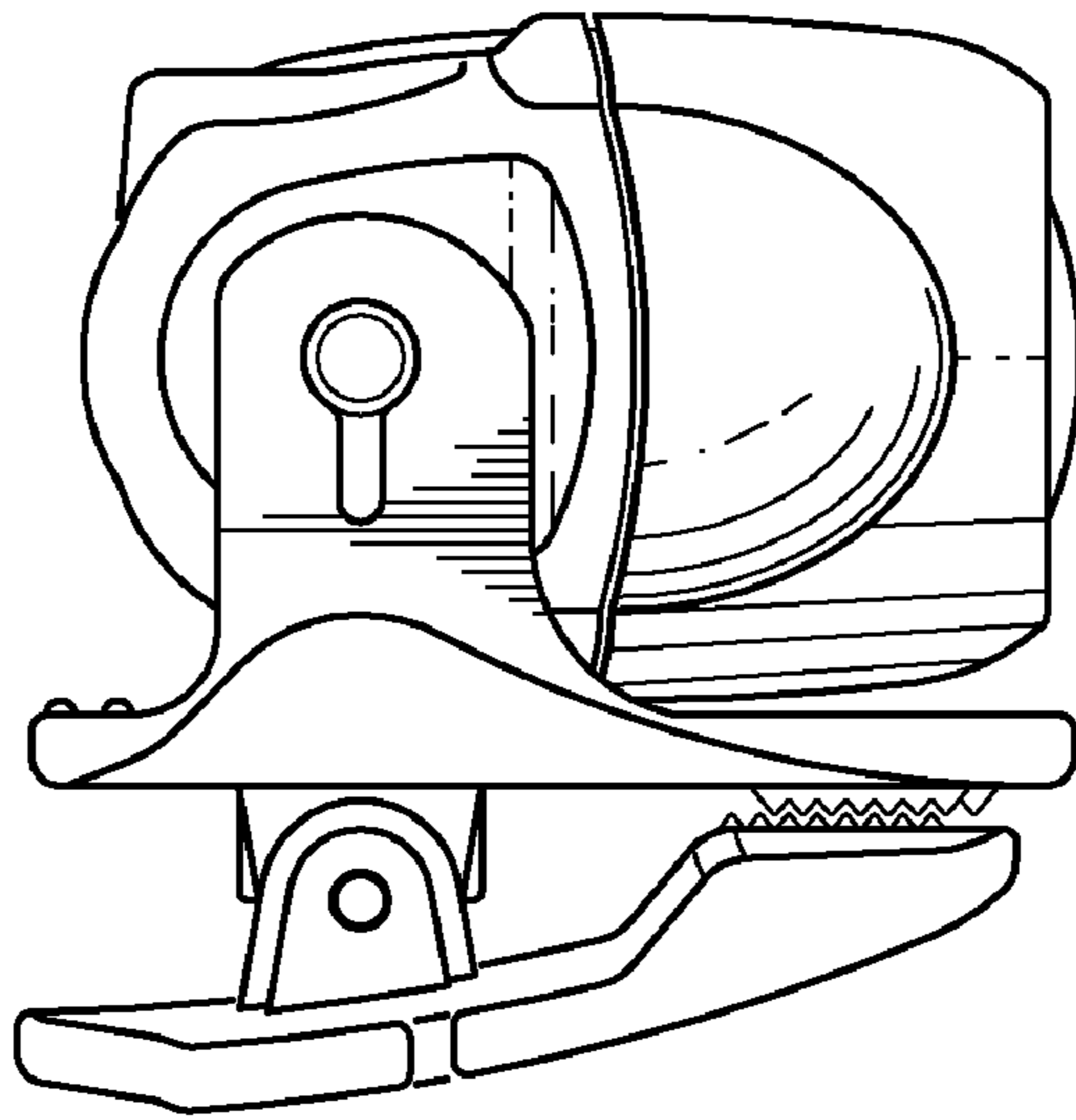
*FIG. 2*



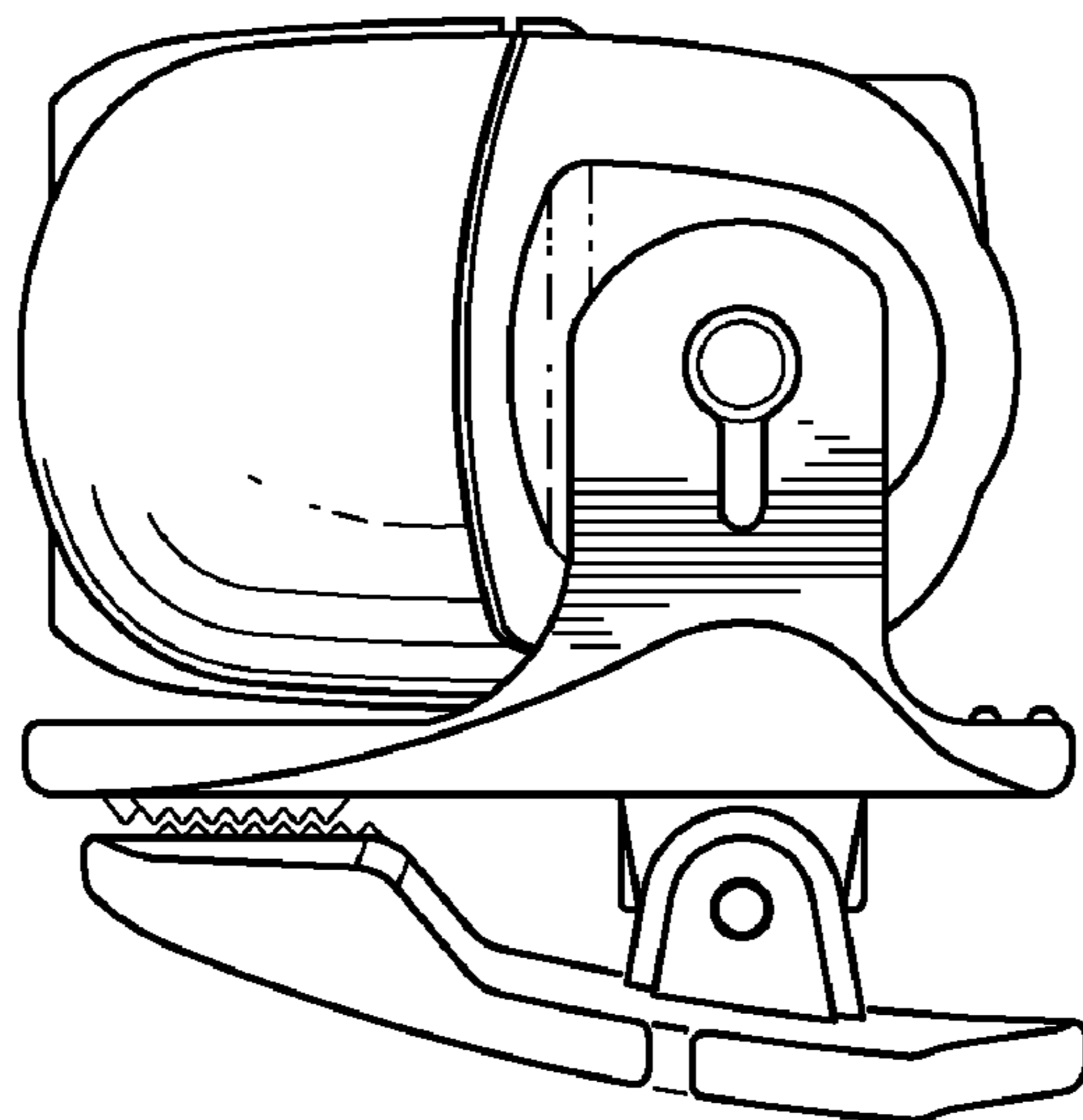
*FIG. 3*



*FIG. 4*



*FIG. 5*



*FIG. 6*