



US00D554779S

(12) **United States Design Patent**
Derges

(10) **Patent No.:** **US D554,779 S**

(45) **Date of Patent:** **** Nov. 6, 2007**

(54) **CANDLE JAR**

D489,271 S * 5/2004 Soomar D9/561
D491,288 S 6/2004 Young D26/9

(76) Inventor: **Patricia Derges**, 601 E. South St.,
Ozark, MO (US) 65721

* cited by examiner

(**) Term: **14 Years**

Primary Examiner—Louis S. Zarfaz

Assistant Examiner—Gregory Andoll

(21) Appl. No.: **29/256,405**

(74) *Attorney, Agent, or Firm*—Jonathan A. Bay

(22) Filed: **Mar. 20, 2006**

(57) **CLAIM**

(51) **LOC (8) Cl.** **26-01**

The ornamental design for a candle jar, as shown and described.

(52) **U.S. Cl.** **D26/9**

(58) **Field of Classification Search** D26/6–23;
D9/635, 435, 541, 447, 454; D7/572, 575,
D7/536, 584; D11/160, 96; 431/288–297,
431/125, 126; 362/806–810

DESCRIPTION

See application file for complete search history.

FIG. 1 is a perspective view of a candle jar showing my new design, with central portions broken away;

FIG. 2 is top plan view thereof;

(56) **References Cited**

U.S. PATENT DOCUMENTS

D2,905 S *	2/1868	Alexander	D26/50
D77,971 S *	3/1929	McEldowney	D26/21
D132,868 S	6/1942	Sawyer	D26/9
D243,065 S	1/1977	Picker	D9/164
D295,145 S	4/1988	Jeanjean	D9/349
D302,862 S *	8/1989	Boss	D26/11
D366,618 S	1/1996	Brillet et al.	D9/522
D369,520 S	5/1996	Harrison et al.	D7/524
D399,982 S *	10/1998	Moore	D26/11
D439,683 S	3/2001	Poppick et al.	D26/11
D442,709 S	5/2001	Klett et al.	D26/7

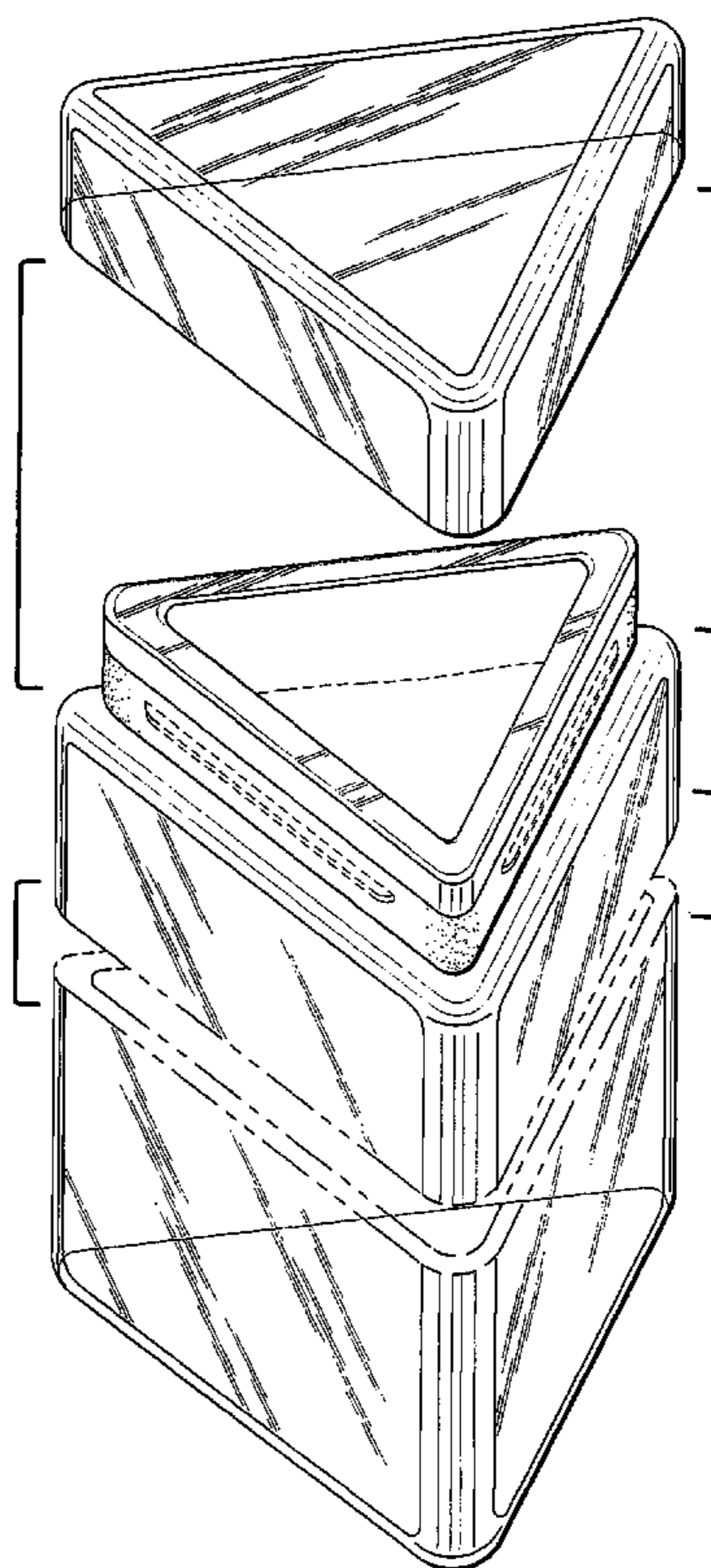
FIG. 3 is an edge elevational view of FIG. 1, with central portions broken away, all other edge views being identical;

FIG. 4 is a face elevational view of FIG. 1, with central portions broken away, all other face views being identical; and,

FIG. 5 is a perspective view comparable to FIG. 1 except showing the lid and base exploded in the view.

The interior of the candle jar forms no part of the claimed design. The broken lines in the Figures are for illustrative purposes only and form no part of the claimed design.

1 Claim, 4 Drawing Sheets



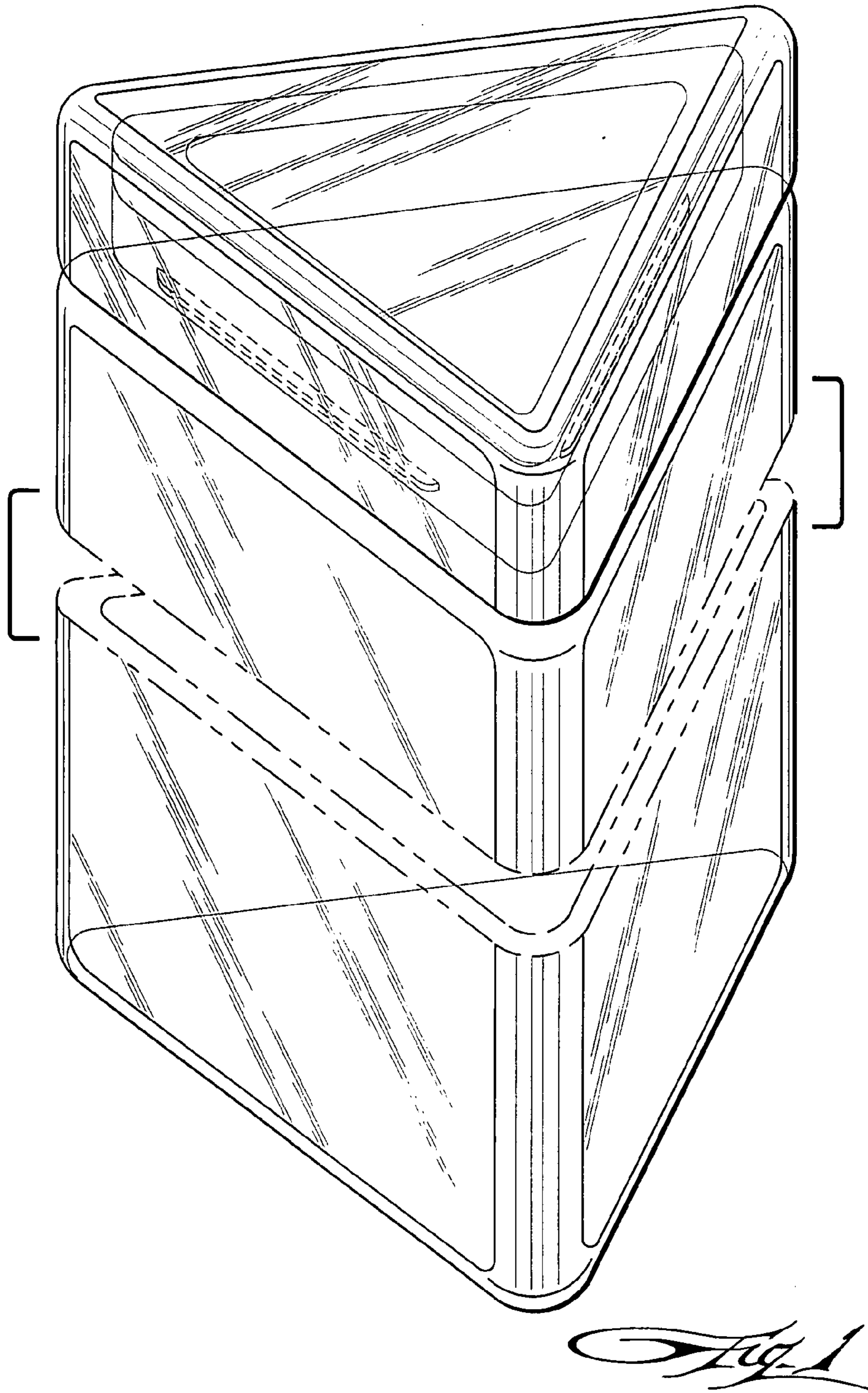


Fig. 1

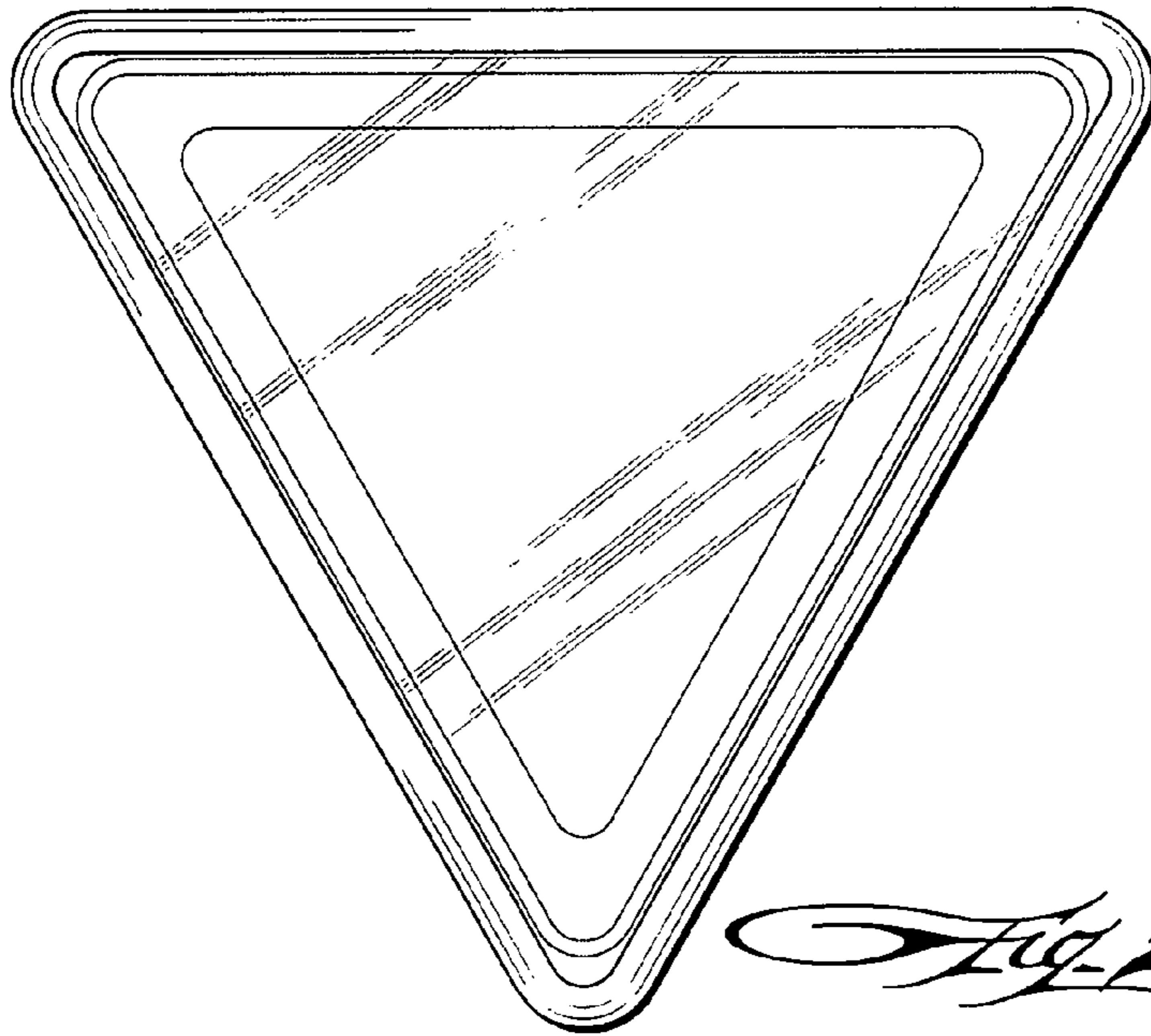


Fig. 2

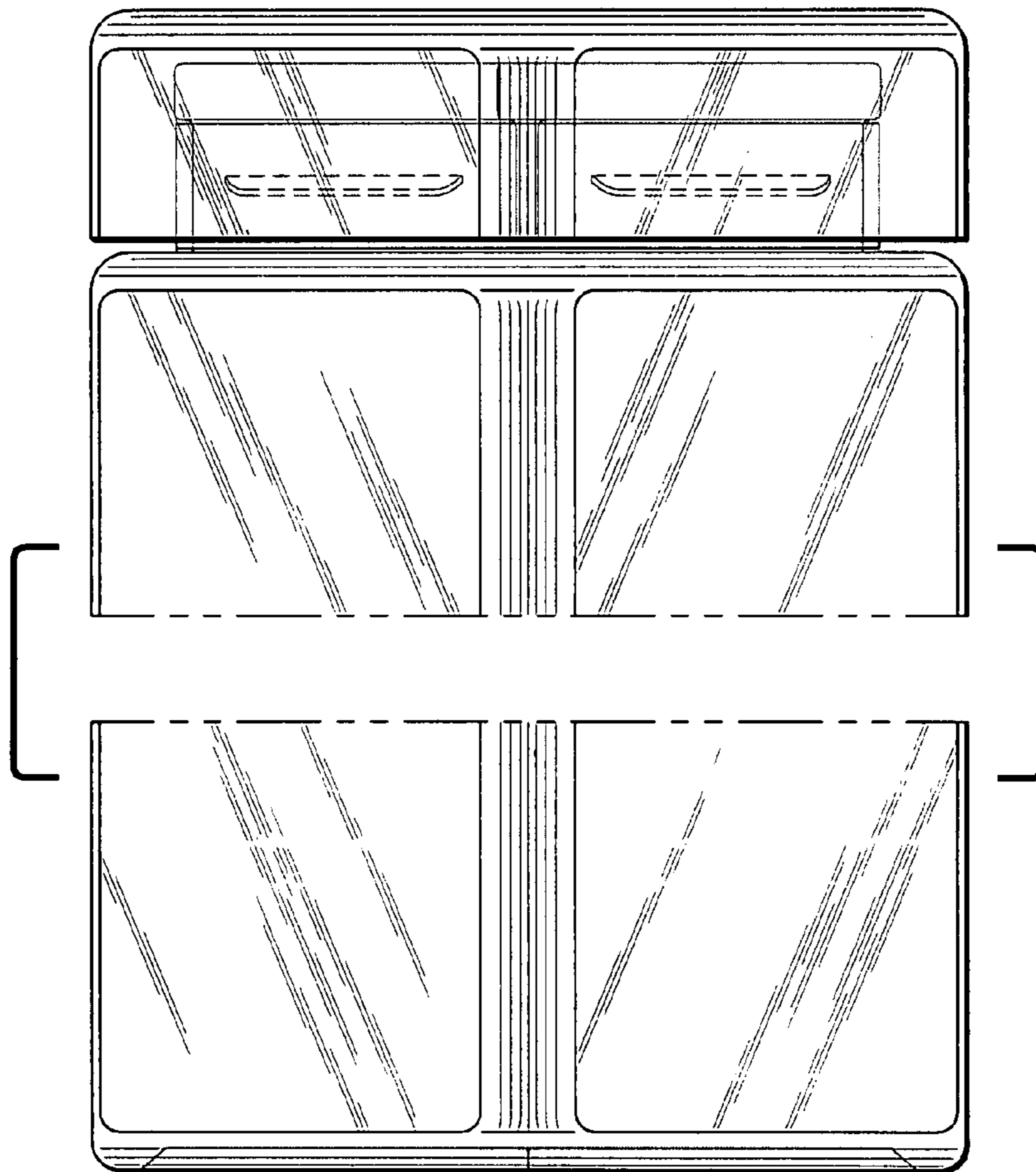


Fig. 3

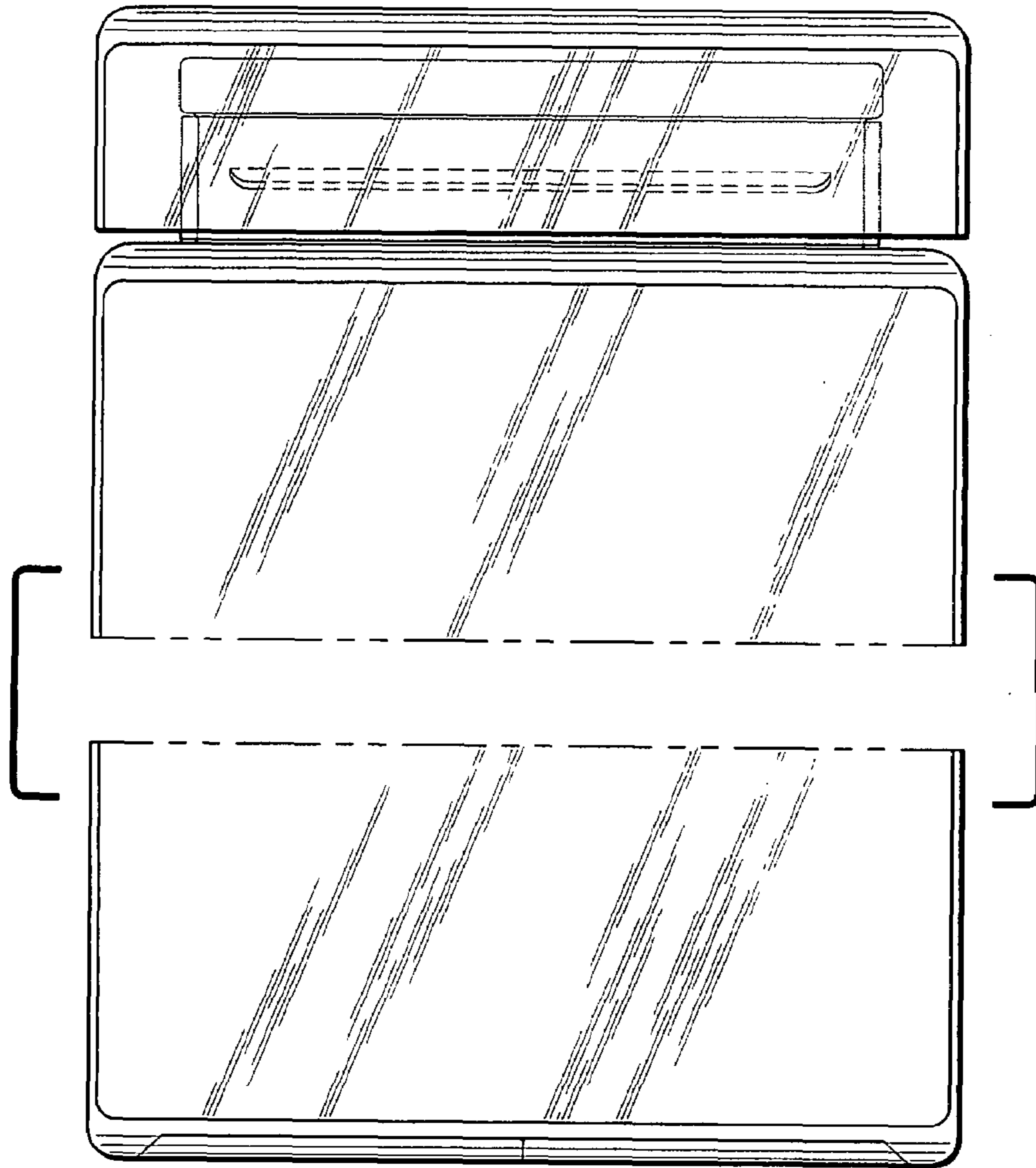


Fig. A

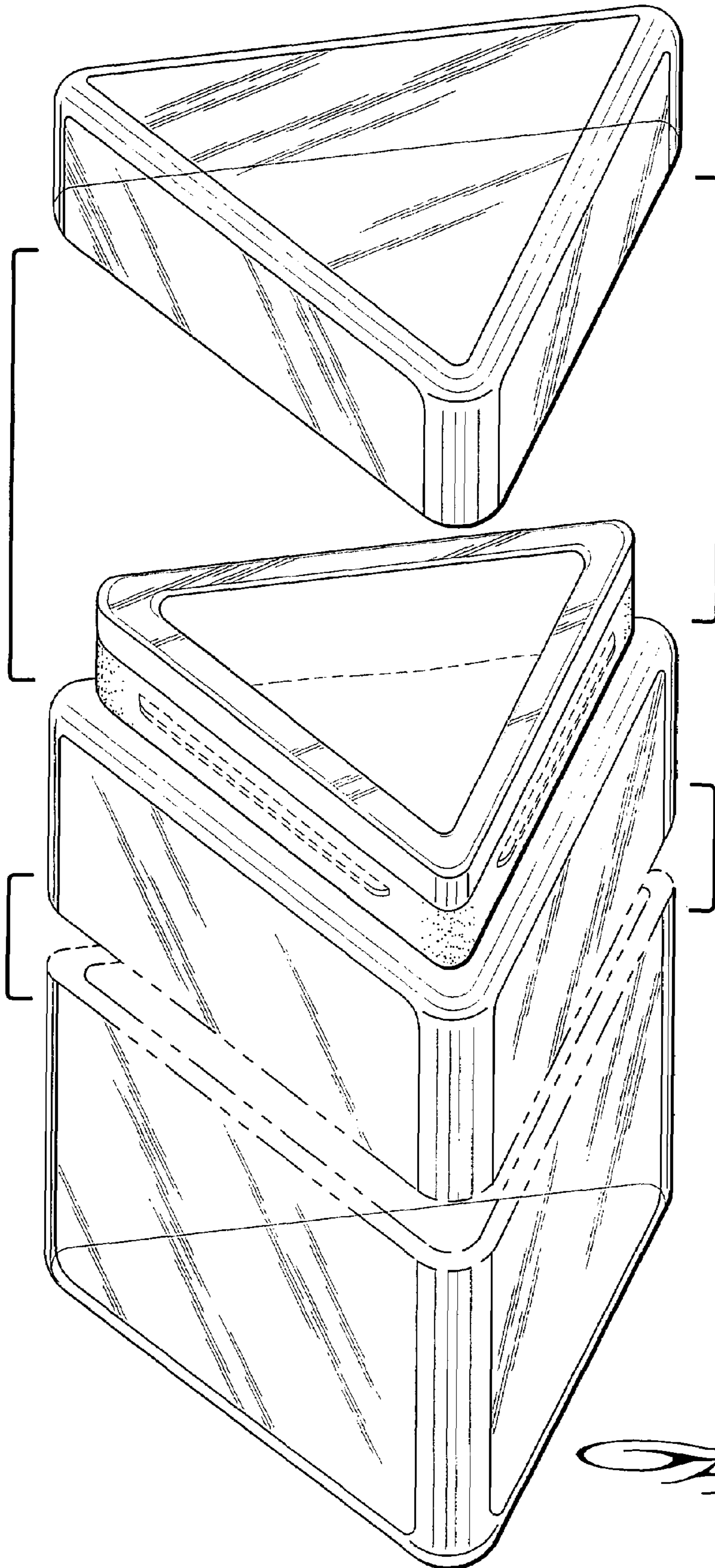


Fig. 5