



US00D554778S

(12) **United States Design Patent** (10) **Patent No.:** **US D554,778 S**
Wang (45) **Date of Patent:** **** Nov. 6, 2007**

(54) **SHOCK ABSORBER FOR SPORTS FLOOR**

Primary Examiner—Catherine R. Oliver
(74) *Attorney, Agent, or Firm*—Andrews Kurth LLP

(76) **Inventor:** **Jiamin Wang**, Suite 502, No. 6, 35
Nong, Dongsanjie Road, Pudong New
District, Shanghai, 200125 (CN)

(**) **Term:** **14 Years**

(21) **Appl. No.:** **29/263,083**

(22) **Filed:** **Jul. 17, 2006**

(51) **LOC (8) Cl.** **25-01**

(52) **U.S. Cl.** **D25/138; D25/199**

(58) **Field of Classification Search** D25/138,
D25/157, 199; 52/384, 387, 389, 403.1,
52/480

See application file for complete search history.

(56) **References Cited**

U.S. PATENT DOCUMENTS

D470,602	S *	2/2003	Pate	D25/138
D484,620	S *	12/2003	He	D25/199
7,033,666	B2 *	4/2006	Skaja	52/403.1
2002/0178675	A1 *	12/2002	Valentine	52/403.1
2004/0182030	A1 *	9/2004	Hinault et al.	52/403.1
2005/0144867	A1 *	7/2005	Clarke	52/389
2006/0230699	A1 *	10/2006	Keene	52/403.1
2007/0039269	A1 *	2/2007	Niese et al.	52/403.1

* cited by examiner

(57) **CLAIM**

The ornamental design for a shock absorber for sports floor,
substantially as shown and described.

DESCRIPTION

FIG. 1 is a front elevation view of the shock absorber for
sports floor;

FIG. 2 is a left side elevation view thereof;

FIG. 3 is a top plan view thereof;

FIG. 4 is a bottom plan view thereof;

FIG. 5 is a reference top plan view;

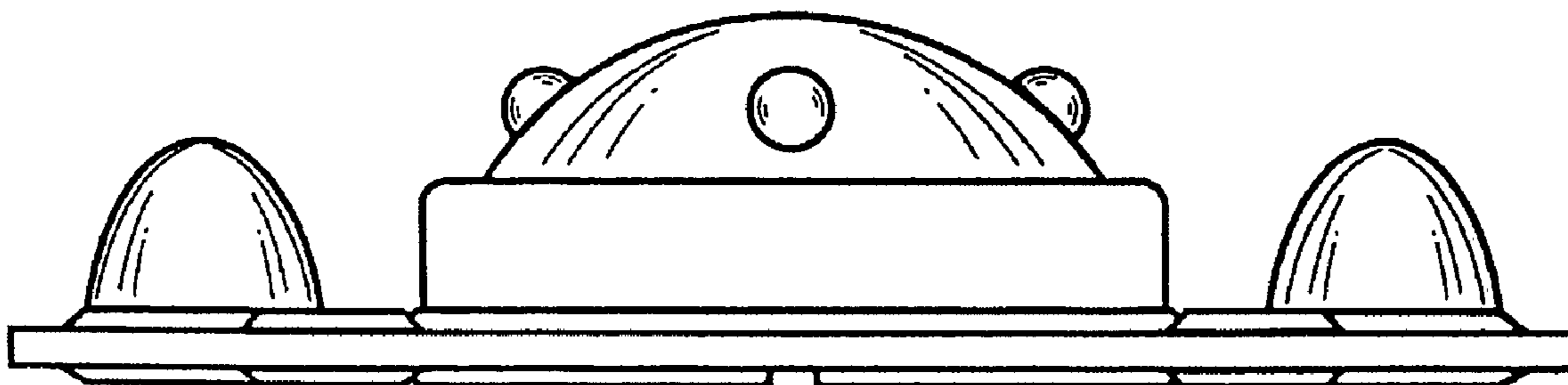
FIG. 6 is a partially enlarged cross-sectional view taken
along line 6—6 of FIG. 5; and,

FIG. 7 is a perspective view thereof.

The rear elevation view and the front elevation view are
identical.

The right side elevation view and the left side elevation view
are identical.

1 Claim, 7 Drawing Sheets



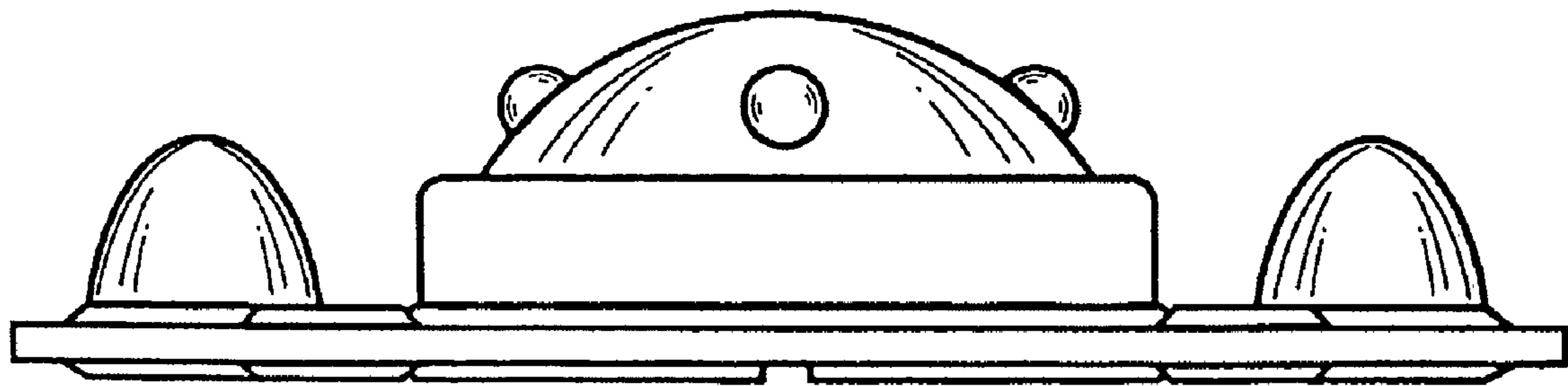


Fig. 1

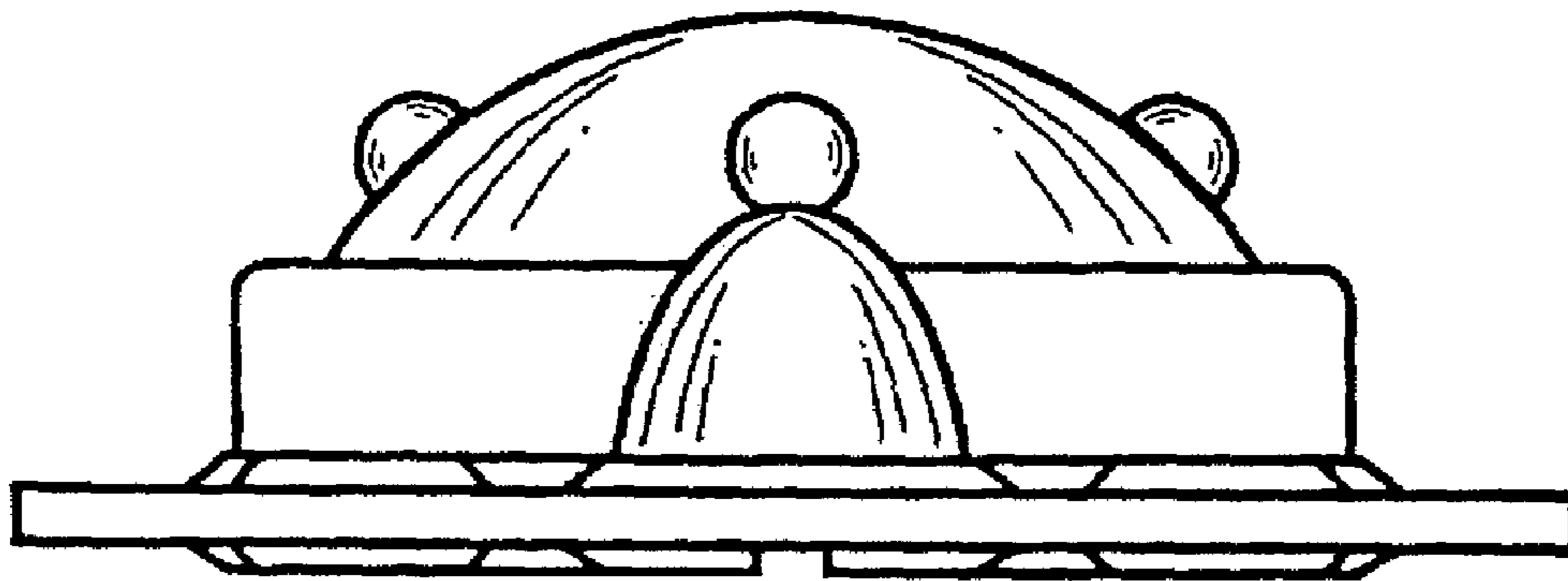


Fig. 2

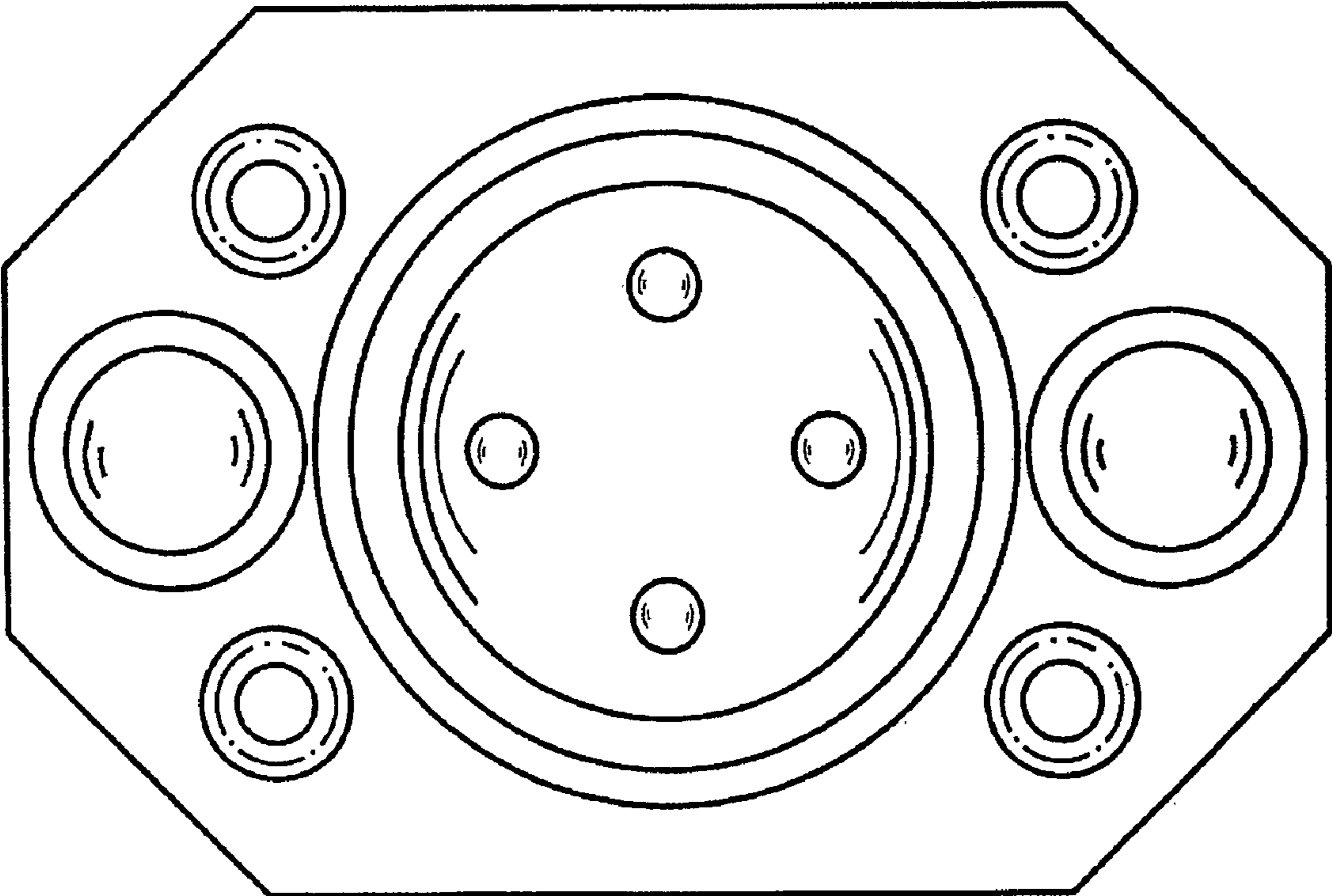


Fig. 3

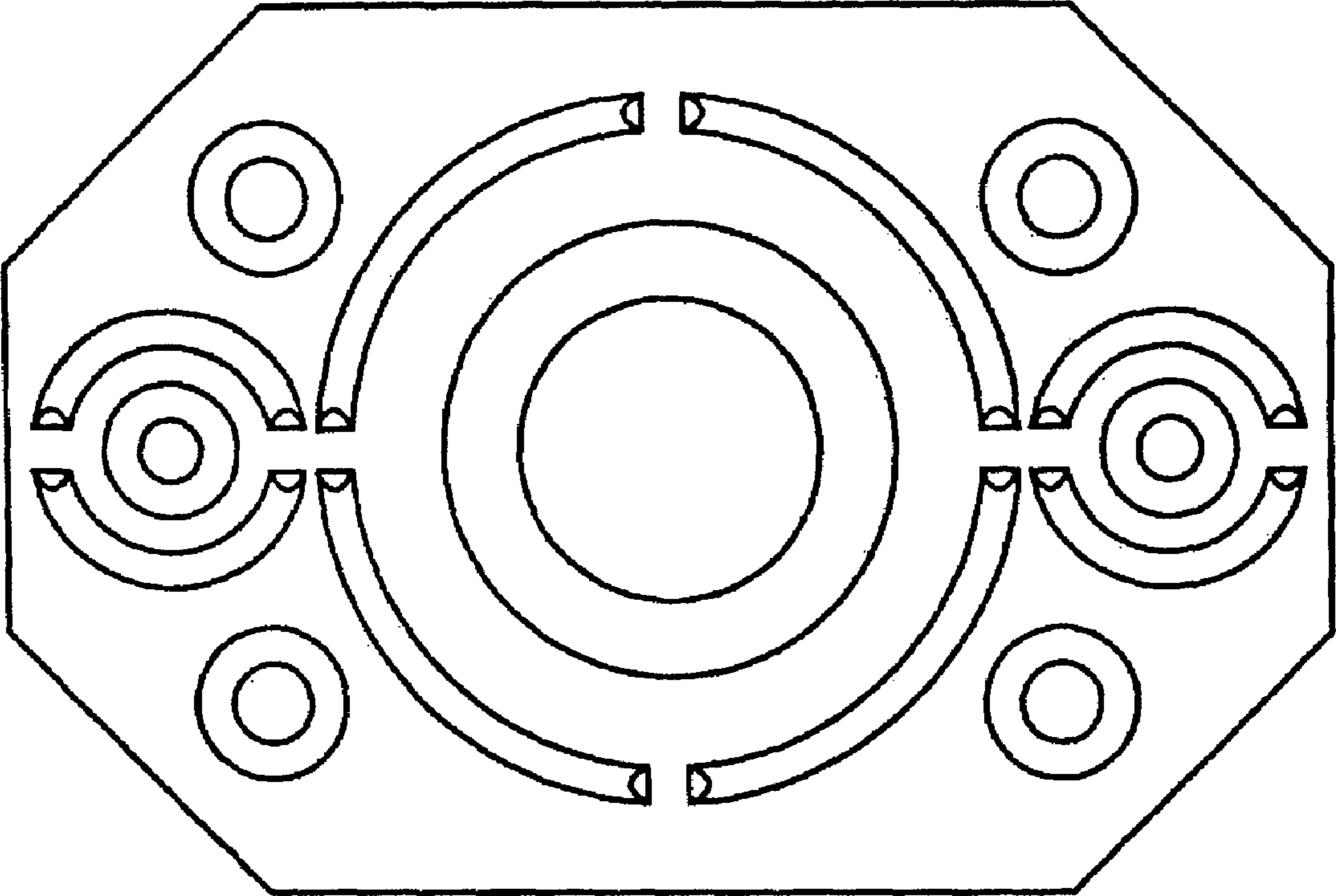


Fig. 4

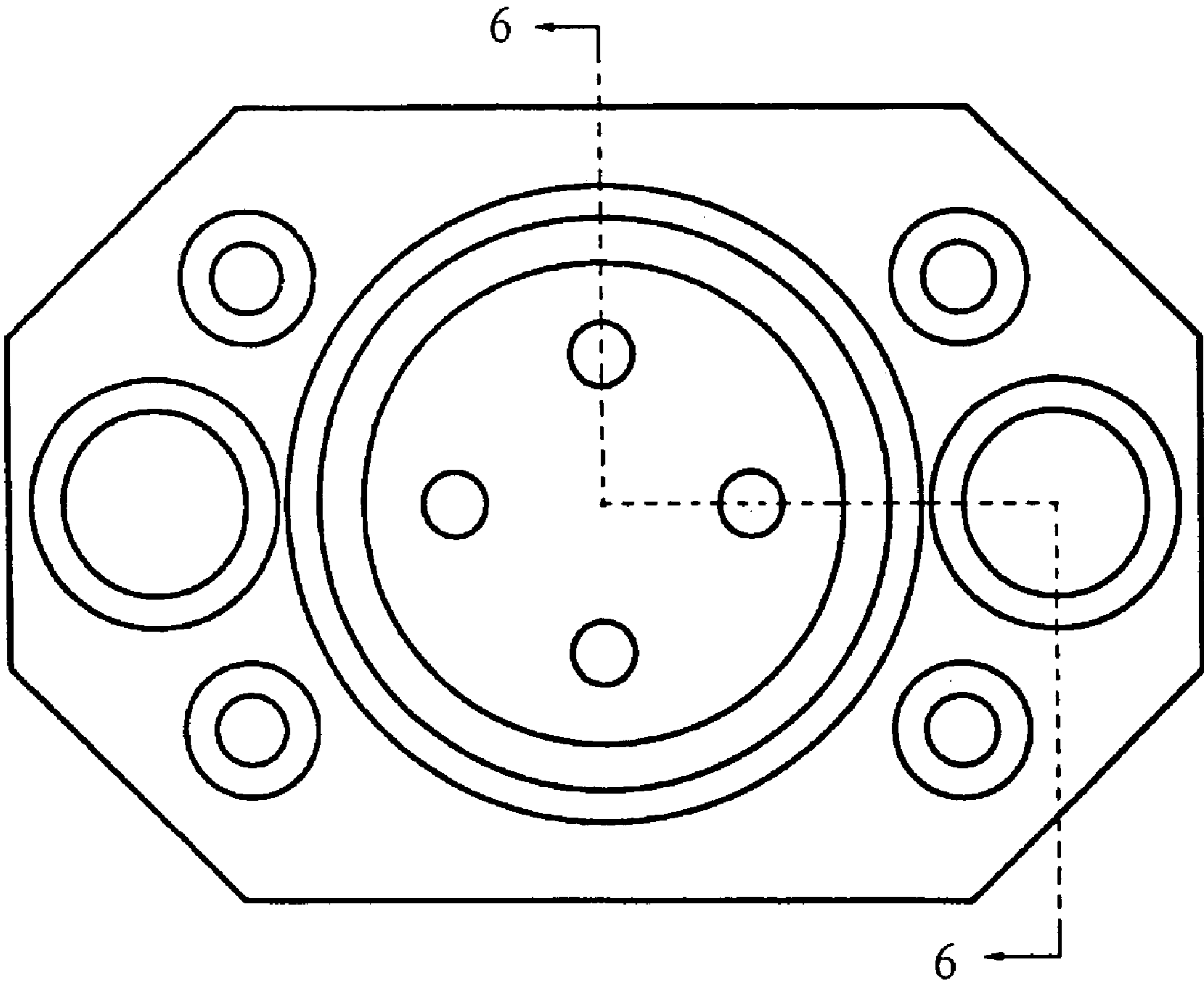


Fig. 5

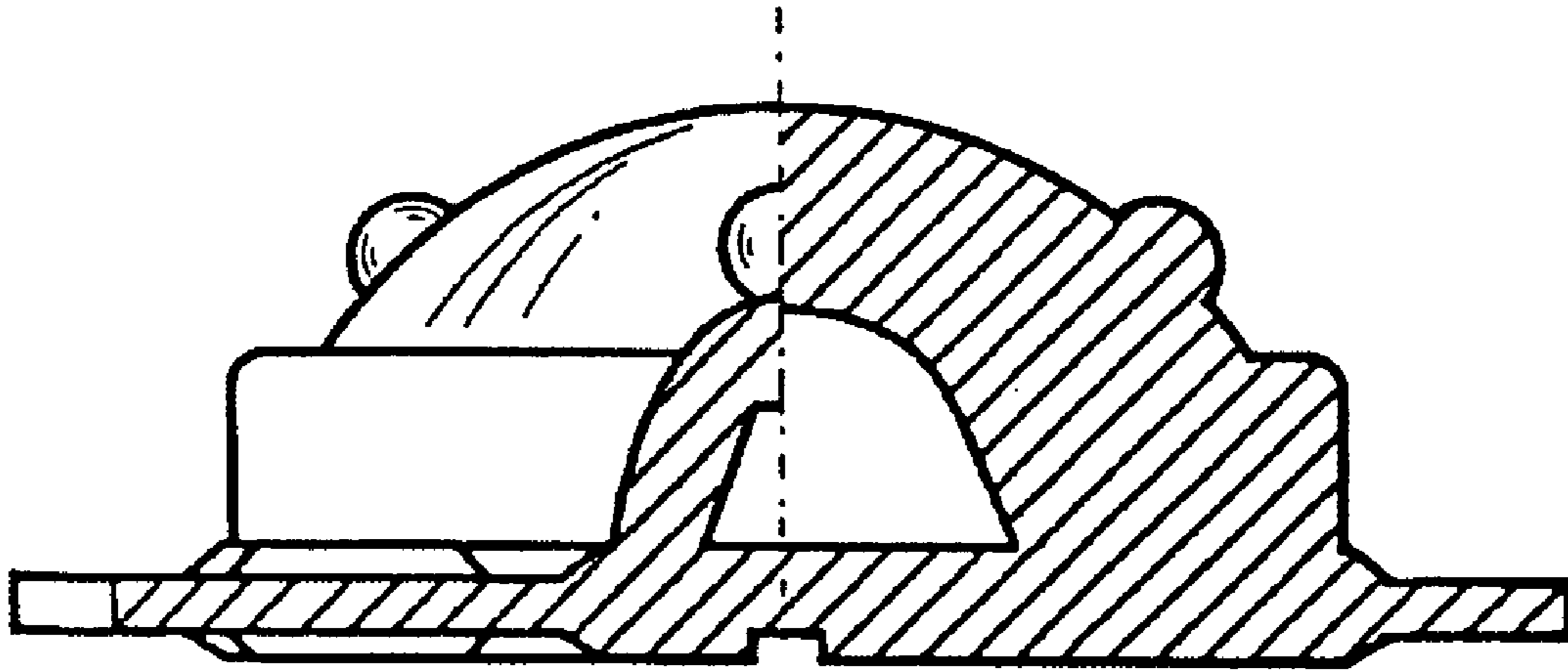


Fig. 6

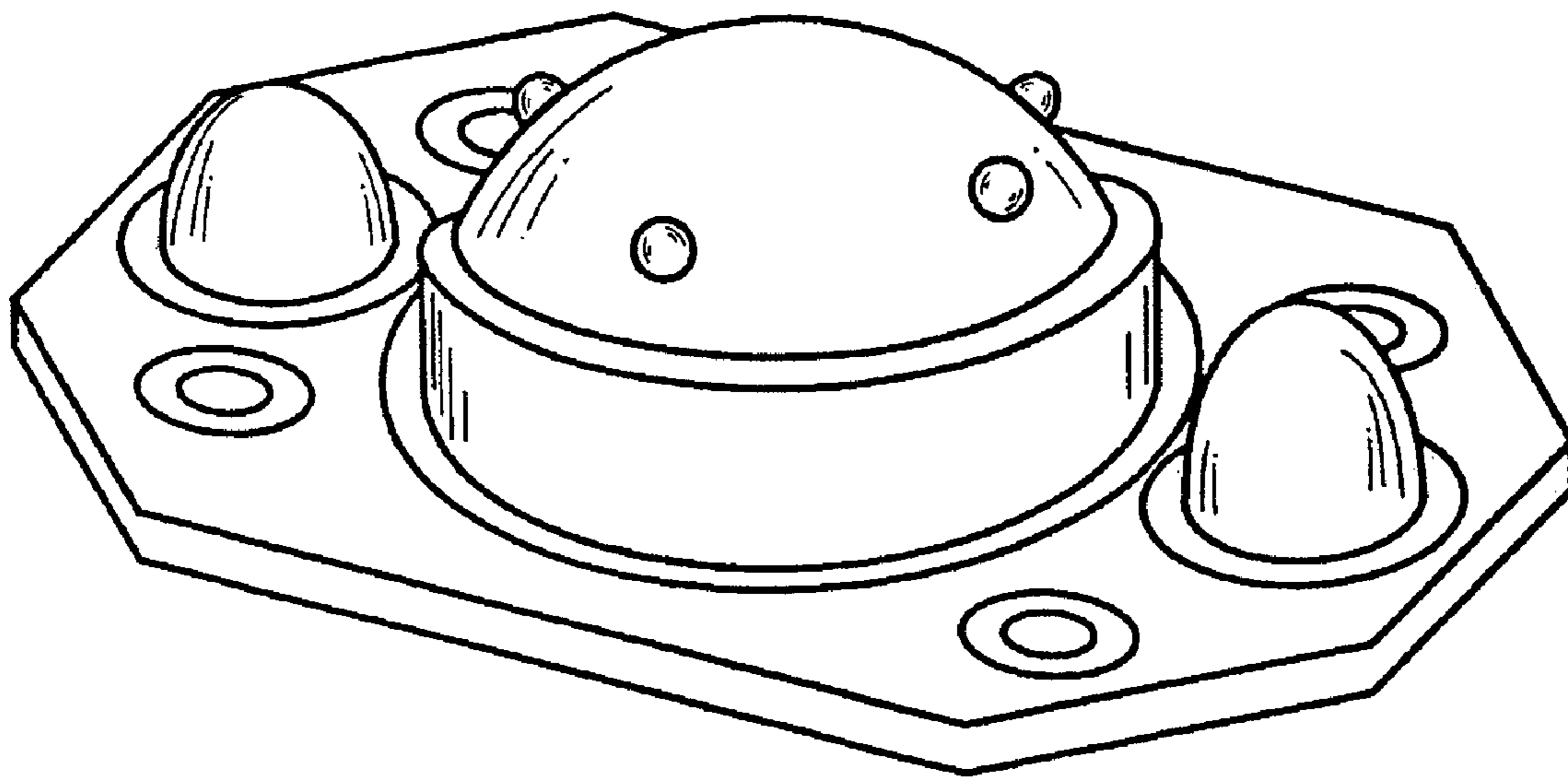


Fig. 7