



US00D554774S

(12) **United States Design Patent**
Antonic

(10) **Patent No.:** **US D554,774 S**

(45) **Date of Patent:** **** Nov. 6, 2007**

(54) **SILL PLATE**

(76) **Inventor:** **James P. Antonic**, 9111 Southmont
Cove #406, Ft. Myers, FL (US) 33908

(**) **Term:** **14 Years**

(21) **Appl. No.:** **29/273,730**

(22) **Filed:** **Mar. 12, 2007**

Related U.S. Application Data

(63) Continuation of application No. 11/356,482, filed on
Feb. 17, 2006.

(51) **LOC (8) Cl.** **25-01**

(52) **U.S. Cl.** **D25/119**

(58) **Field of Classification Search** D25/119,
D25/122; 52/281, 282.2, 282.3, 460, 461,
52/479, 481.1, 220.1

See application file for complete search history.

(56) **References Cited**

U.S. PATENT DOCUMENTS

D283,352 S * 4/1986 Bancroft D25/119
4,660,339 A * 4/1987 Paz 52/238.1
5,070,667 A * 12/1991 Schulte 52/241

5,561,955 A * 10/1996 Frobosilo et al. 52/217
5,794,746 A * 8/1998 Ketonen et al. 187/333
5,797,233 A * 8/1998 Hascall 52/481.1
D423,690 S * 4/2000 Grosfillex D25/119

* cited by examiner

Primary Examiner—Doris Clark

(74) *Attorney, Agent, or Firm*—Laura G. Barrow

(57) **CLAIM**

I claim the ornamental design of a sill plate, as shown and
described.

DESCRIPTION

FIG. 1 is a front/right perspective view of the sill plate
showing my new design, shown broken in the center to
indicate indeterminate length.

FIG. 2 is a back side elevation view thereof.

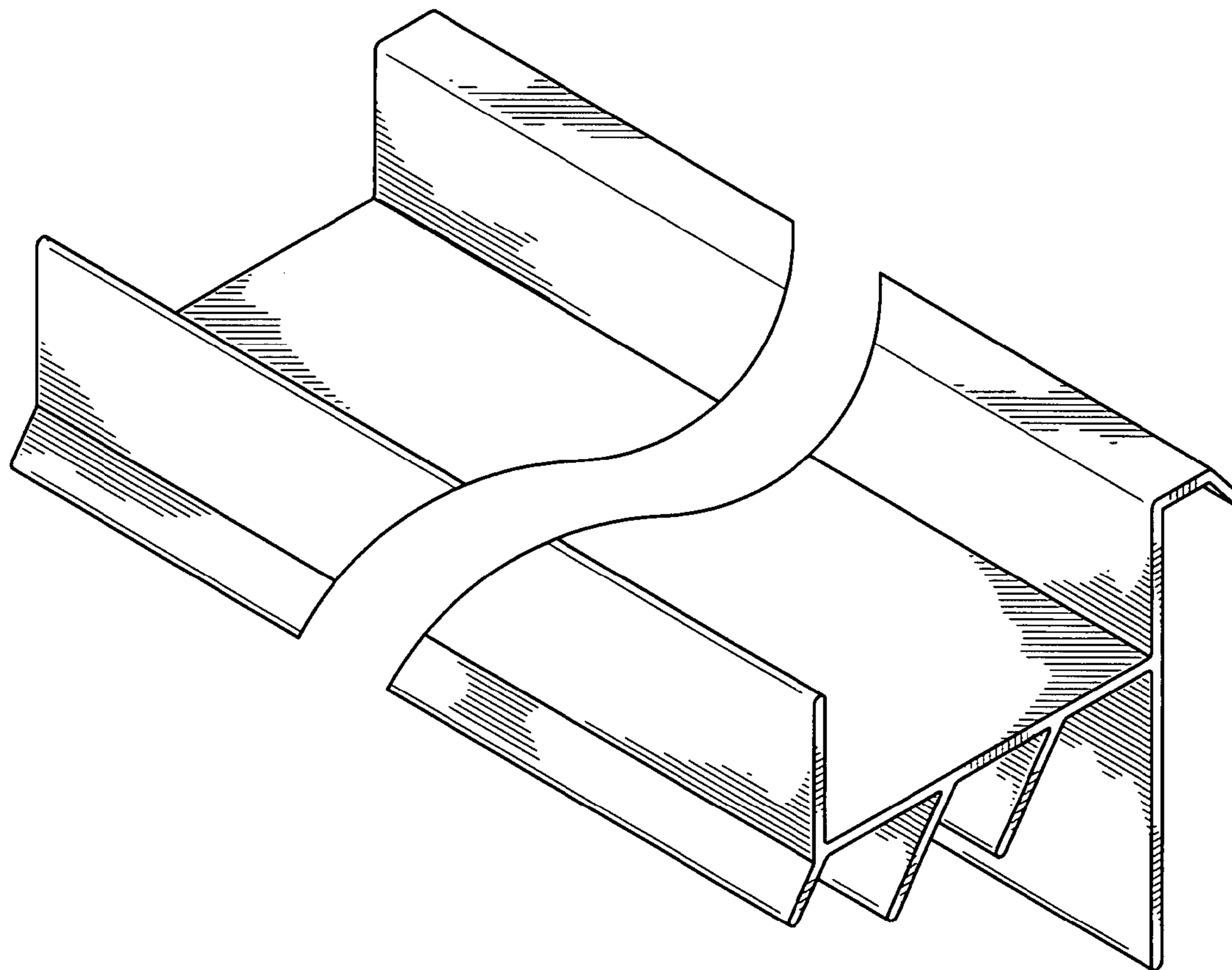
FIG. 3 is a front side elevation views thereof.

FIG. 4 is a left side elevation view thereof. The right side
view is identical to the left side.

FIG. 5 is a top view thereof; and,

FIG. 6 is a bottom view thereof.

1 Claim, 3 Drawing Sheets



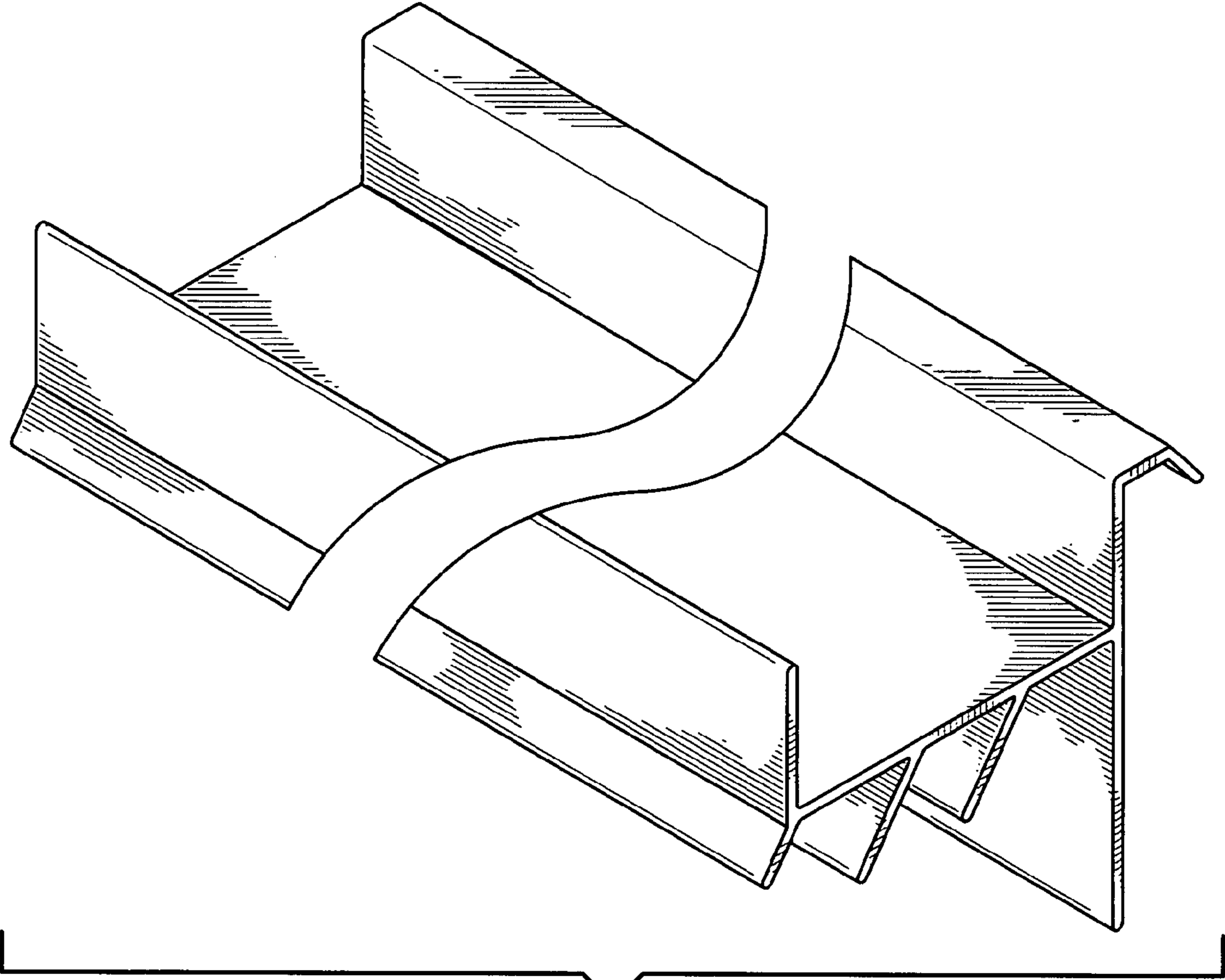


Fig. 1

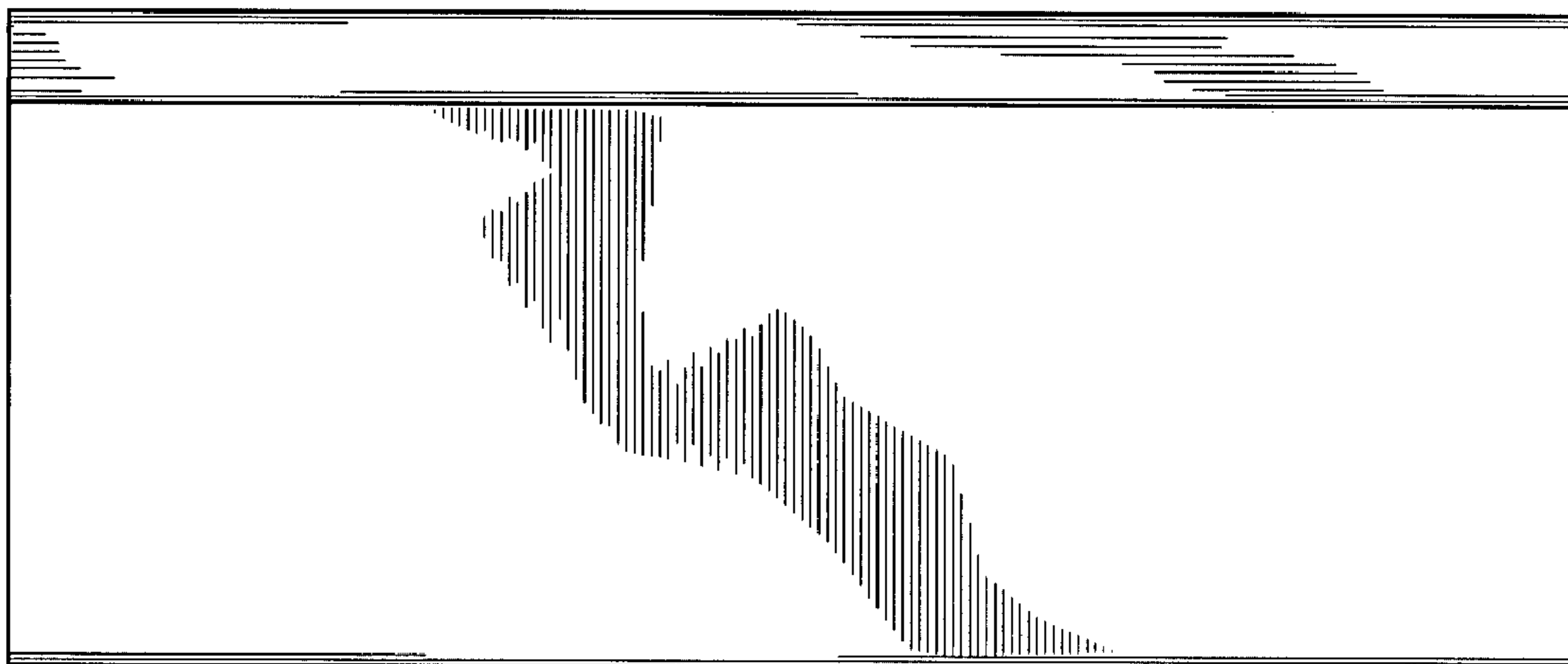


Fig. 2

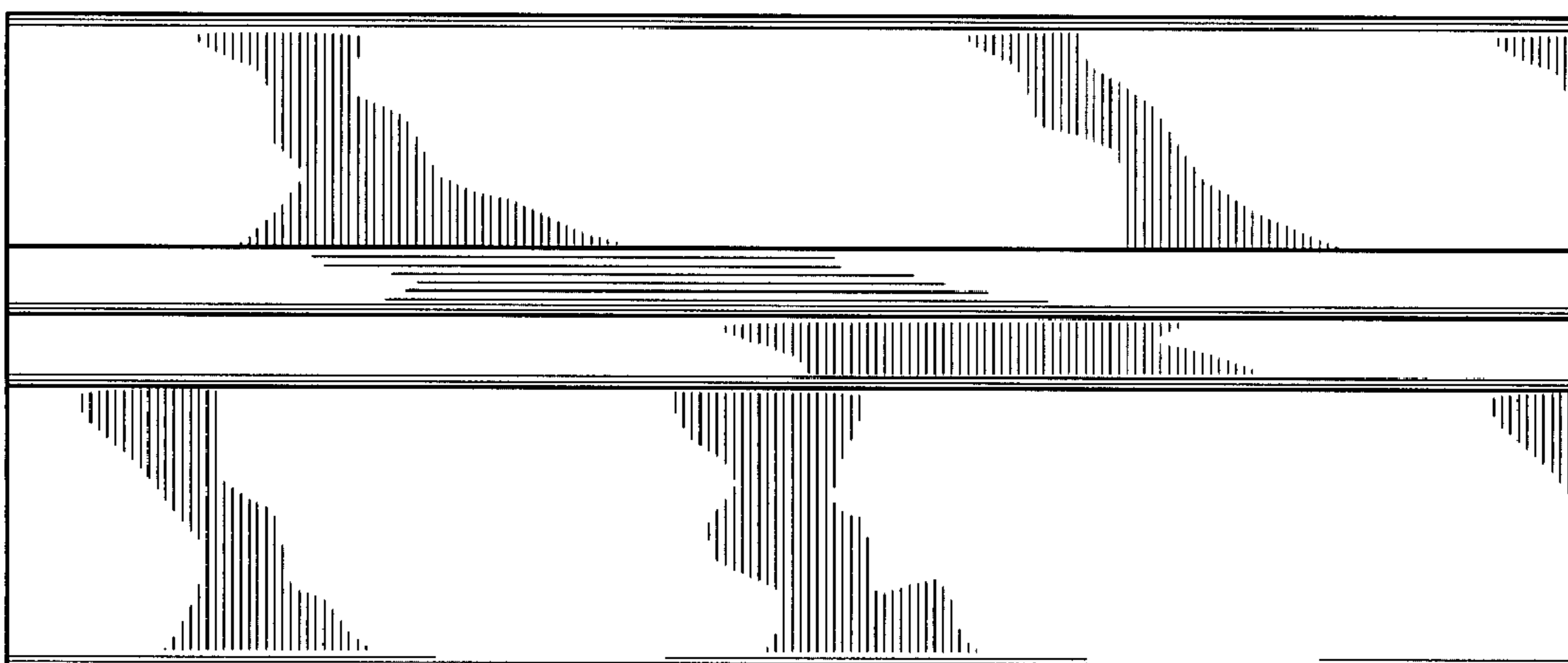


Fig. 3

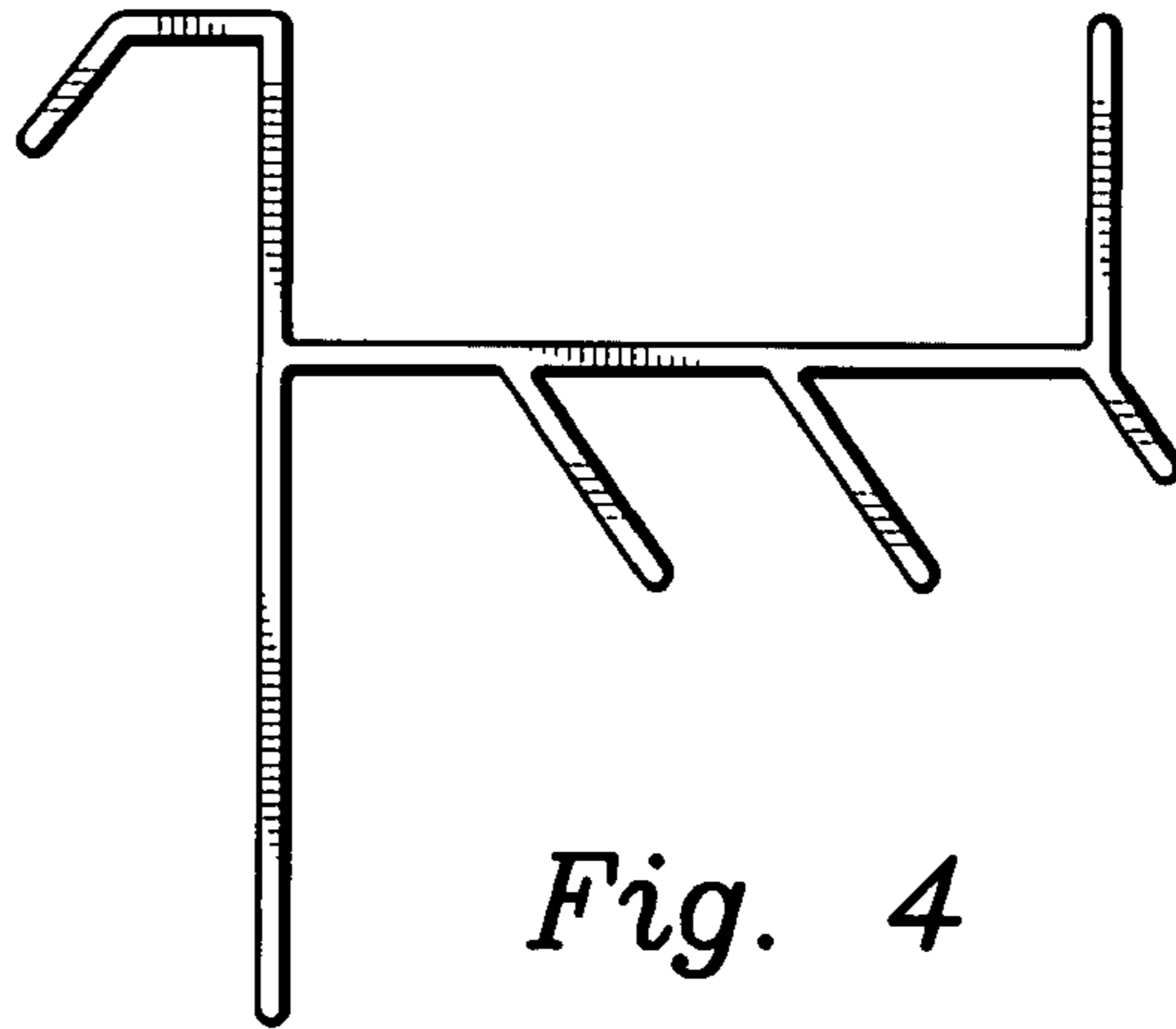


Fig. 4

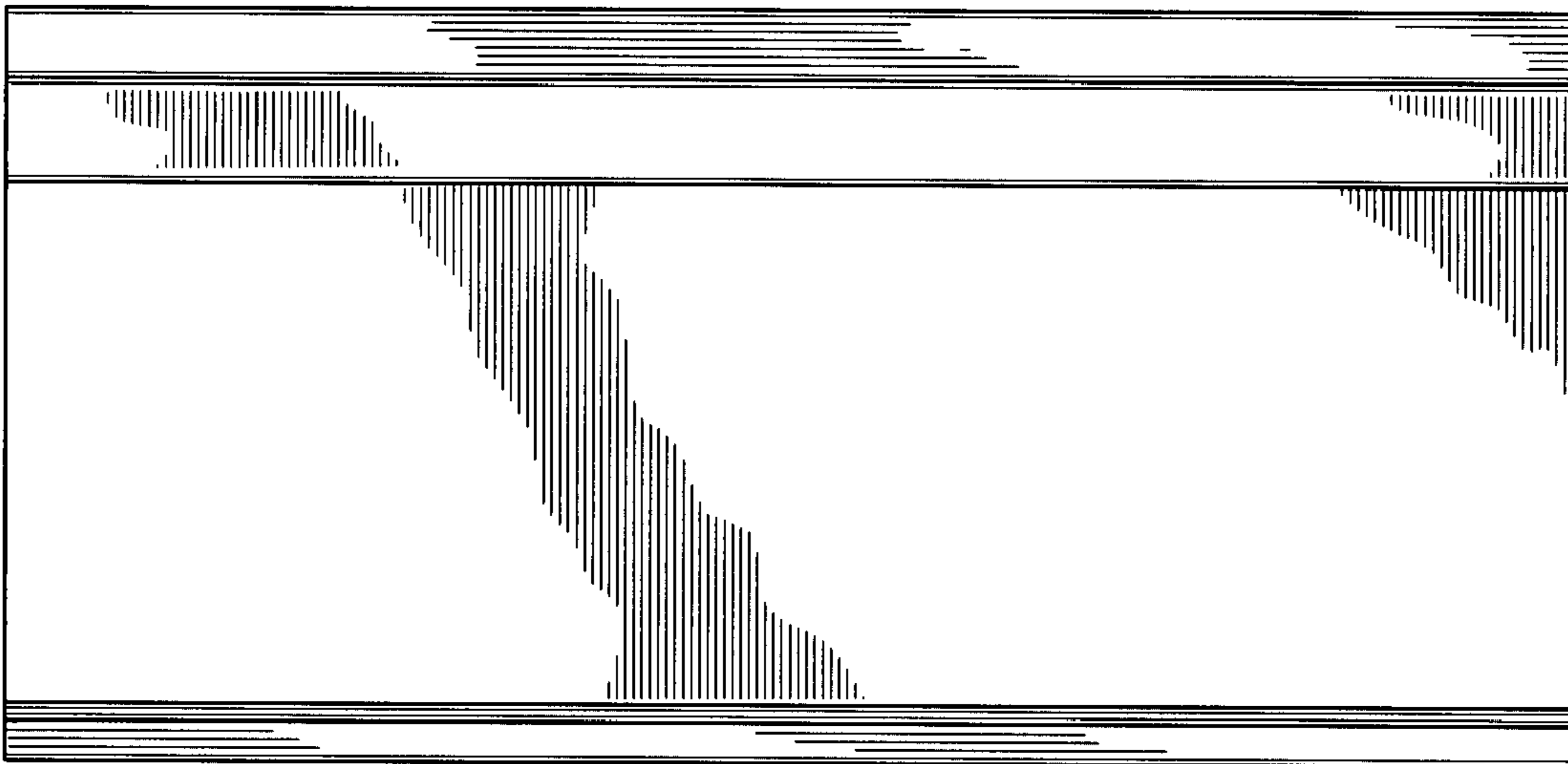


Fig. 5

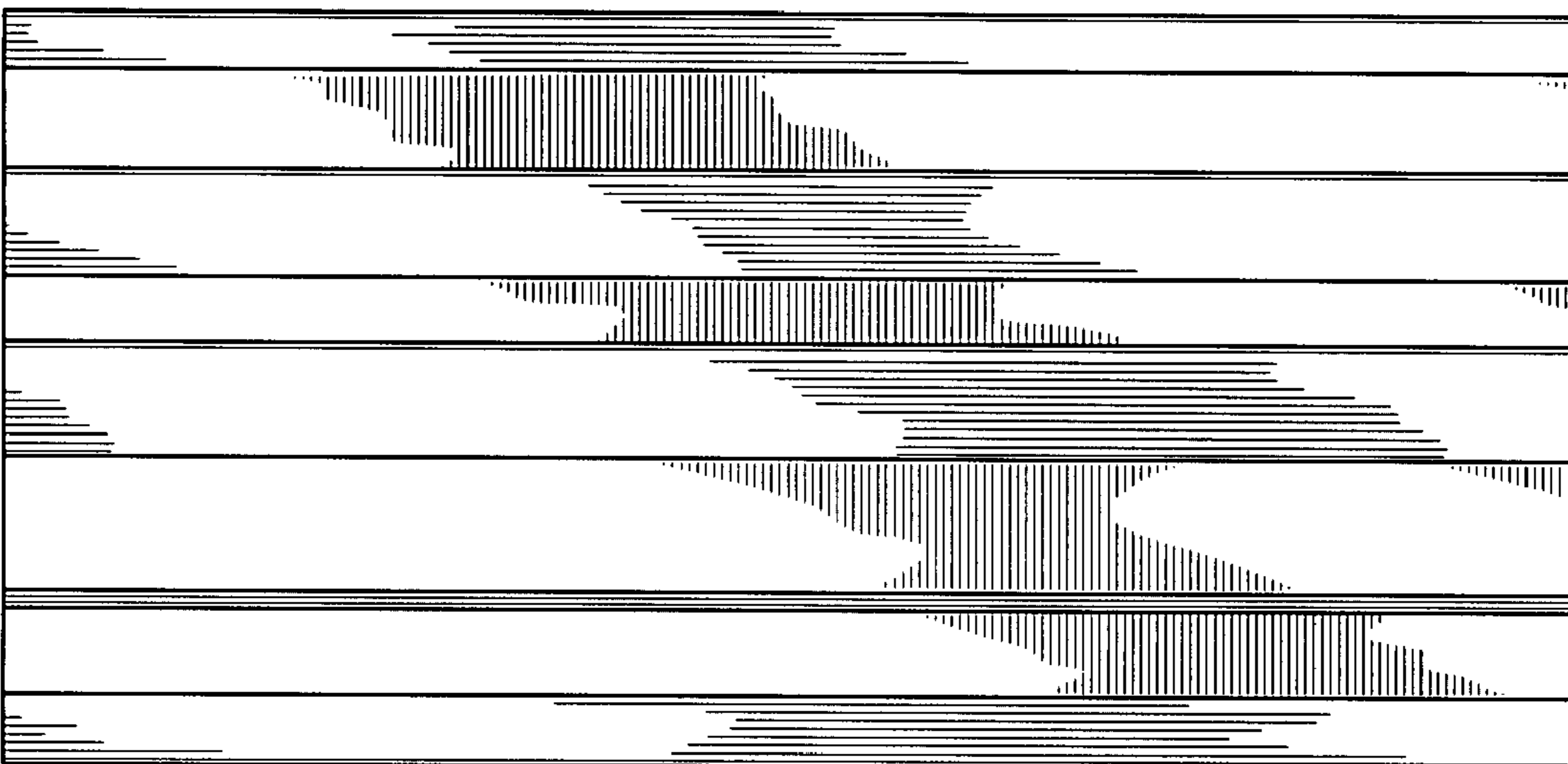


Fig. 6