



US00D554772S

(12) **United States Design Patent**  
**Bullock**

(10) **Patent No.:** **US D554,772 S**

(45) **Date of Patent:** **\*\* Nov. 6, 2007**

(54) **FLOOR EXTRUSION**

(75) Inventor: **William N. Bullock**, Greensboro, NC  
(US)

(73) Assignee: **Environmental Air Systems, Inc.**,  
High Point, NC (US)

(\*\*) Term: **14 Years**

(21) Appl. No.: **29/264,696**

(22) Filed: **Aug. 16, 2006**

(51) **LOC (8) Cl.** ..... **25-01**

(52) **U.S. Cl.** ..... **D25/119**

(58) **Field of Classification Search** ..... D25/119,  
D25/136, 164; 52/716.1, 716.8, 718.01,  
52/718.04, 717.06, 718.05, 718.06, 318,  
52/290, 287.1, 311.1, 311.2, 311.3, 314

See application file for complete search history.

(56) **References Cited**

**U.S. PATENT DOCUMENTS**

4,067,155	A *	1/1978	Ruff et al.	.....	52/105
4,893,449	A *	1/1990	Kemper	.....	52/464
5,062,250	A	11/1991	Buzzella		
D324,575	S	3/1992	Davis		
D363,788	S *	10/1995	Caley	.....	D25/119
D364,234	S *	11/1995	Caley	.....	D25/119
5,678,380	A *	10/1997	Azzar	.....	52/716.4
5,939,670	A *	8/1999	Shteynberg et al.	.....	174/481
6,032,426	A *	3/2000	Tamlyn	.....	52/483.1
6,047,506	A *	4/2000	Kemper	.....	52/179
D438,650	S *	3/2001	Neuhofer, Jr.	.....	D25/199
6,345,480	B1 *	2/2002	Kemper et al.	.....	52/395

6,550,192	B1 *	4/2003	Nelson et al.	.....	52/177
6,588,155	B1	7/2003	Theune et al.		
6,647,680	B2 *	11/2003	Daly et al.	.....	52/287.1
6,668,500	B1	12/2003	Lamberts		
D497,678	S *	10/2004	Brabeck	.....	D25/119
D511,013	S	10/2005	Bullock, Jr. et al.		
D511,217	S	11/2005	Bullock, Jr. et al.		

**OTHER PUBLICATIONS**

U.S. Appl. No. 29/264,697, filed Aug. 16, 2006, Bullock, Jr.  
U.S. Appl. No. 29/264,698, filed Aug. 16, 2006, Hansen.

\* cited by examiner

*Primary Examiner*—Doris Clark

(57) **CLAIM**

The ornamental design for a floor extrusion, as shown and described.

**DESCRIPTION**

FIG. 1 is a fragmented front, top, left side perspective view of a floor extrusion embodying my design;

FIG. 2 is a top plan view thereof, the bottom plan view of the floor extrusion being a mirror image thereof;

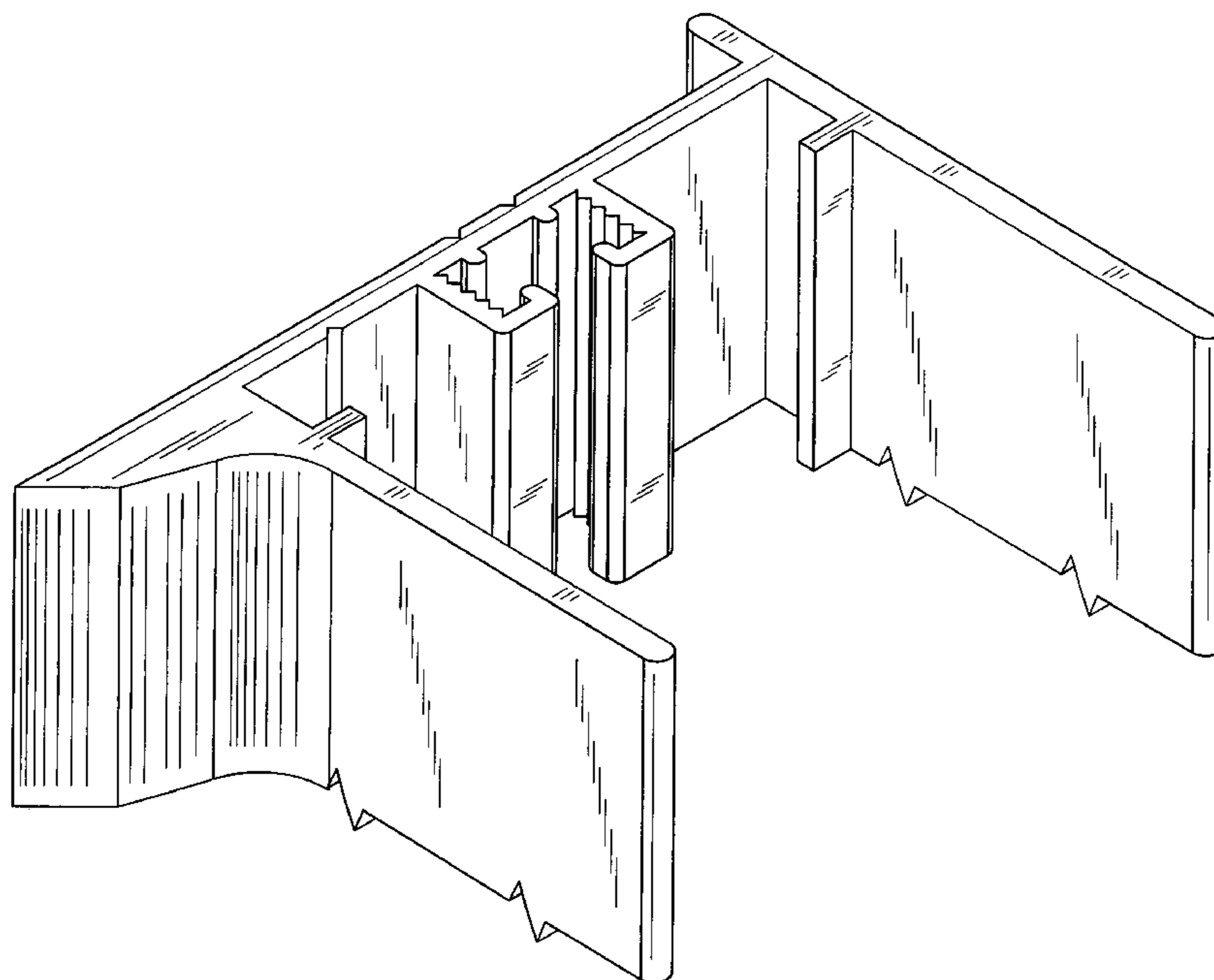
FIG. 3 is a fragmented rear elevational view thereof;

FIG. 4 is a fragmented right side elevational view thereof;

FIG. 5 is a fragmented left side elevational view thereof; and,

FIG. 6 is a front elevational view thereof; it being understood that the floor extrusion has been broken along one end as an indication of indeterminate length.

**1 Claim, 6 Drawing Sheets**



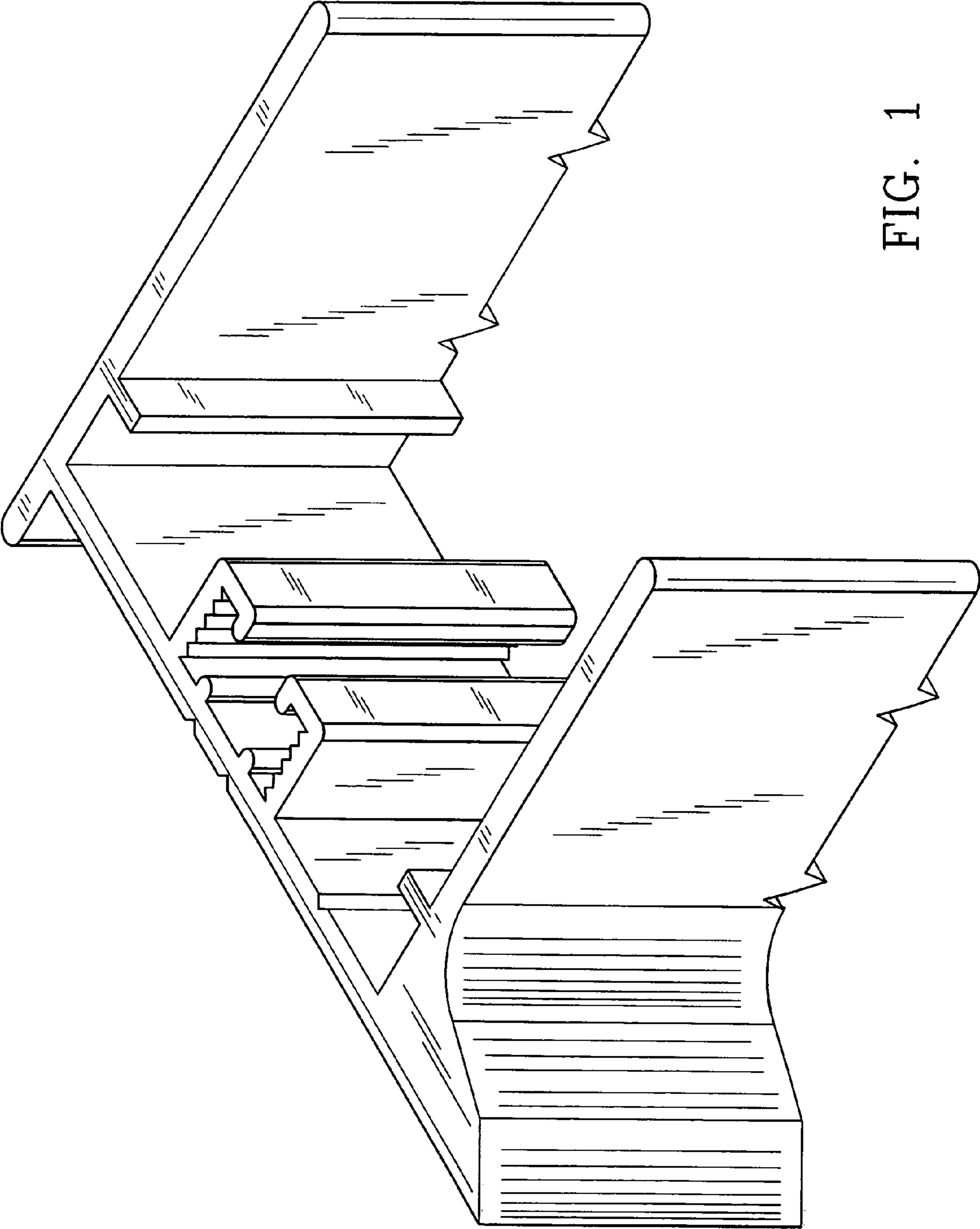


FIG. 1

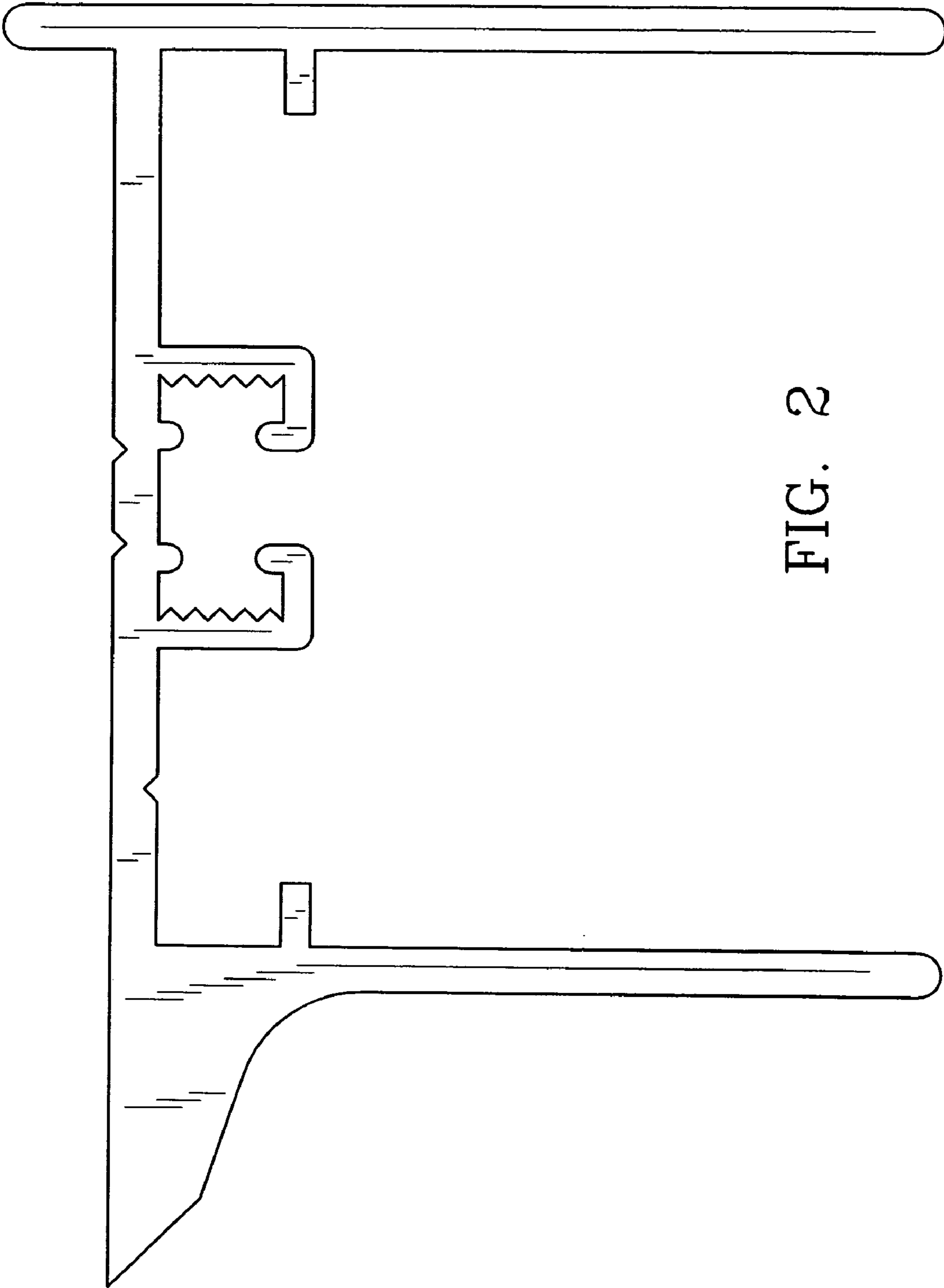


FIG. 2

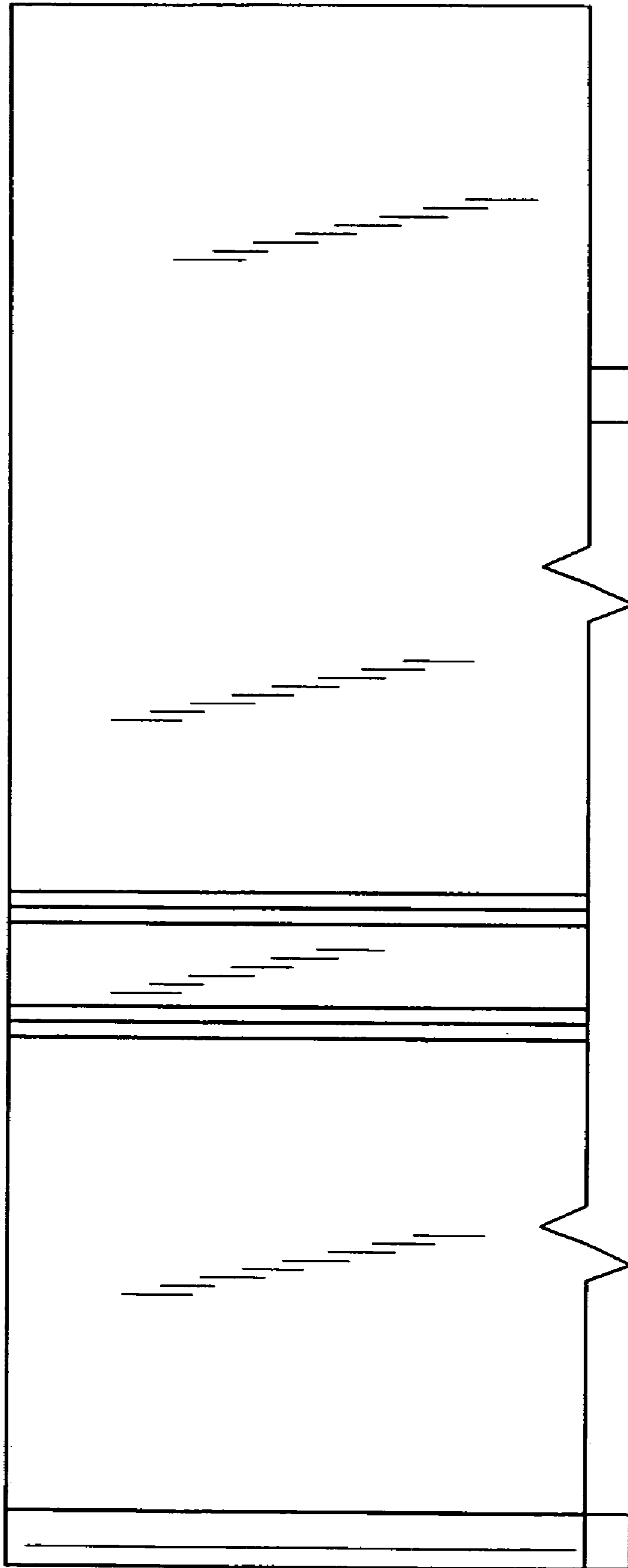


FIG. 3

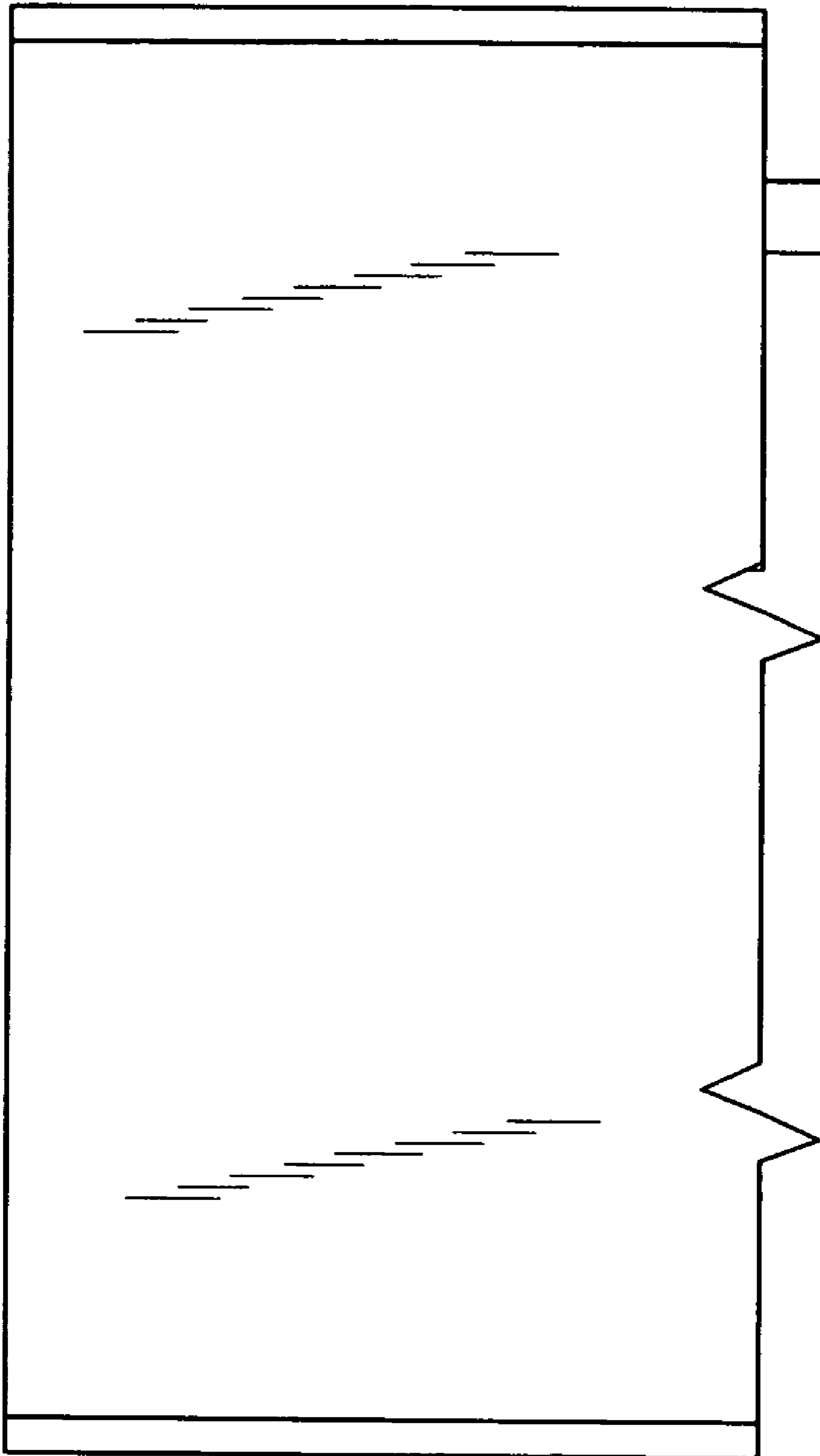


FIG. 4

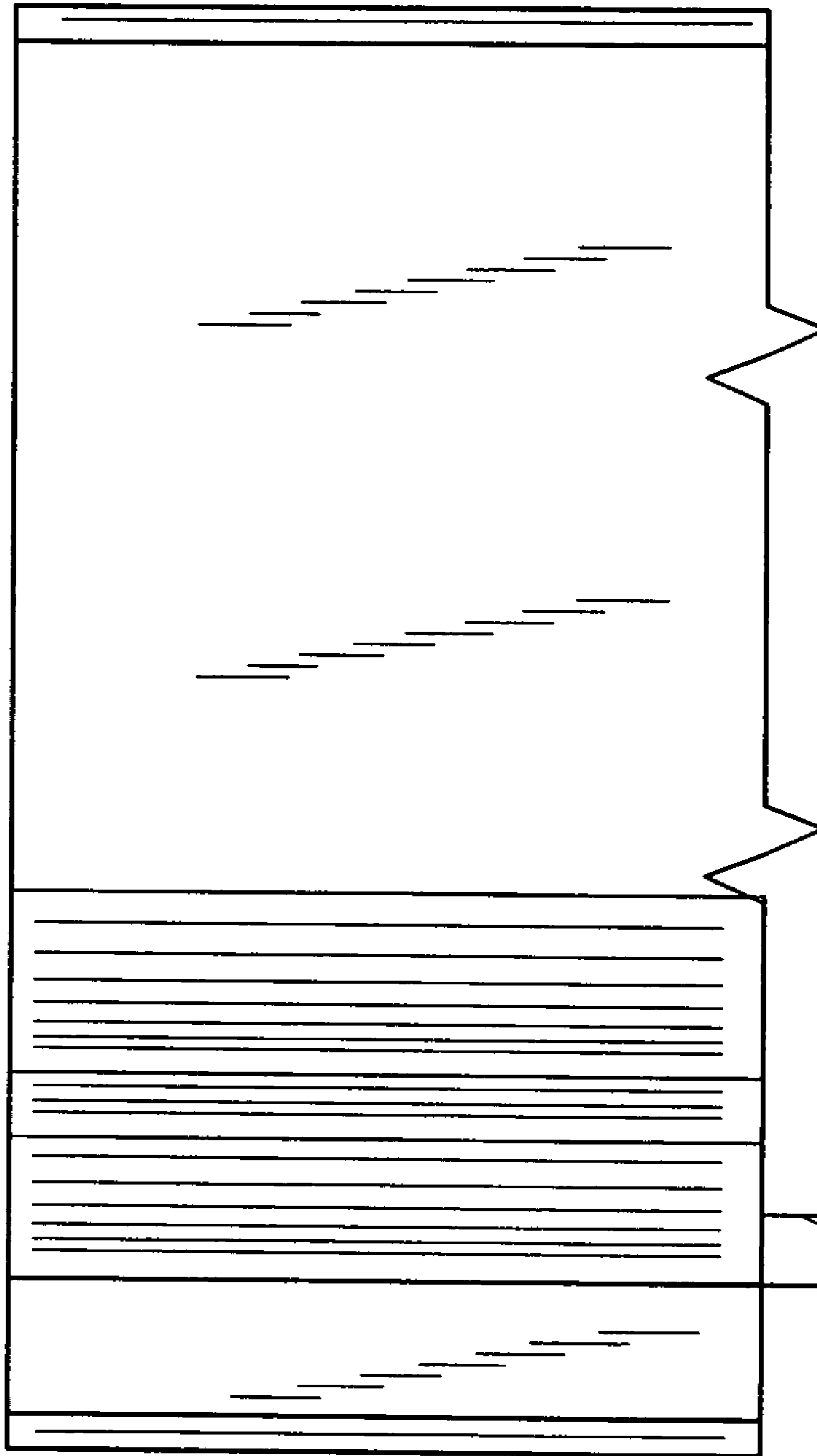


FIG. 5

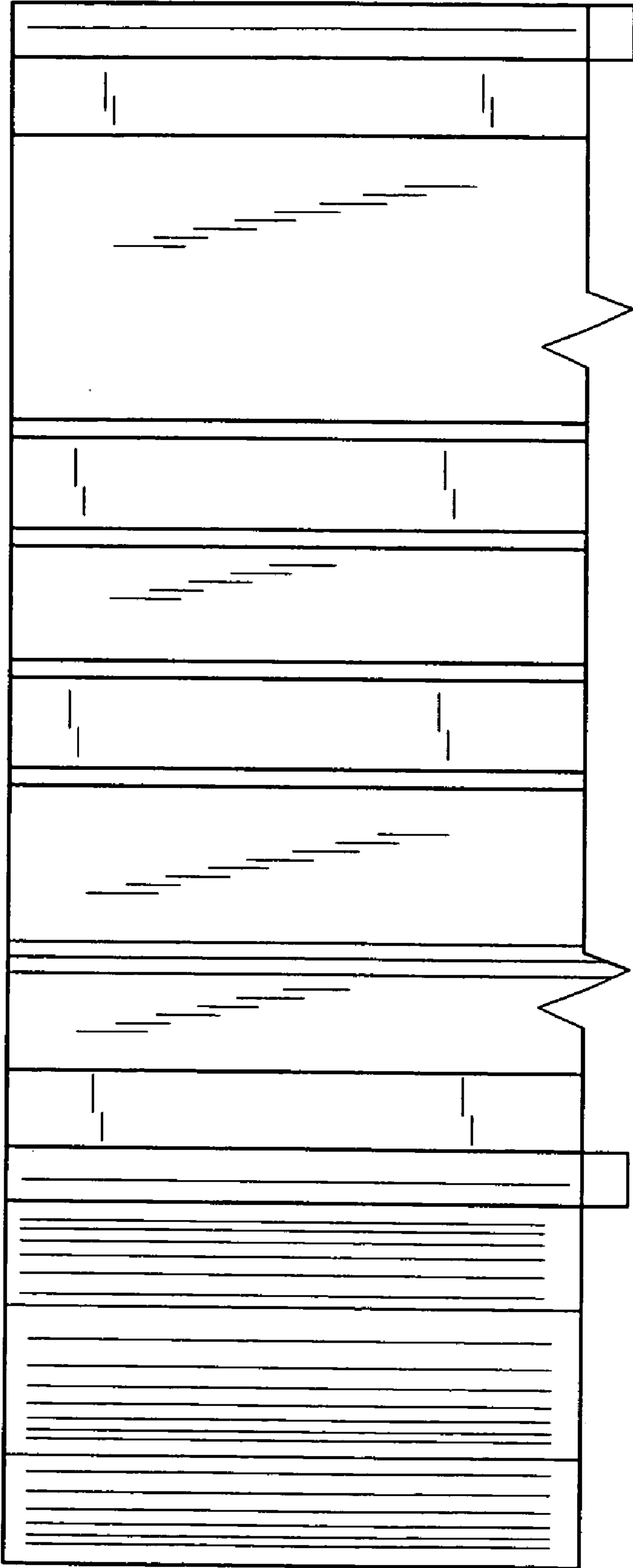


FIG. 6