



US00D554770S

(12) **United States Design Patent**
Pena

(10) **Patent No.:** **US D554,770 S**

(45) **Date of Patent:** **** Nov. 6, 2007**

(54) **RAFTER ELEMENT**

6,247,869 B1 * 6/2001 Lichvar 403/205
6,296,415 B1 * 10/2001 Johnson et al. 403/170
6,874,519 B2 * 4/2005 Chiang 135/131

(75) Inventor: **Felipe Pena**, Southlake, TX (US)

(73) Assignee: **Shade Construction, Inc.**, Dallas, TX (US)

* cited by examiner

Primary Examiner—Doris Clark

(74) *Attorney, Agent, or Firm*—David H. Judson

(**) Term: **14 Years**

(21) Appl. No.: **29/267,487**

(57) **CLAIM**

(22) Filed: **Oct. 16, 2006**

The ornamental design for a rafter element, as shown and described.

(51) **LOC (8) Cl.** **25-02**

(52) **U.S. Cl.** **D25/61**

(58) **Field of Classification Search** D25/51;
135/121, 122, 120.3; 403/64, 169, 170
See application file for complete search history.

DESCRIPTION

The article in which the design is embodied is a rafter element with a single tubular extension for use in an outdoor structure, such as a vehicle protection canopy or carport.

FIG. 1 is a perspective view of the rafter element;

FIG. 2 is a front view of the rafter element of FIG. 1;

FIG. 3 is a top view of the rafter element of FIG. 2;

FIG. 4 is a side view of the rafter element of FIG. 2; and,

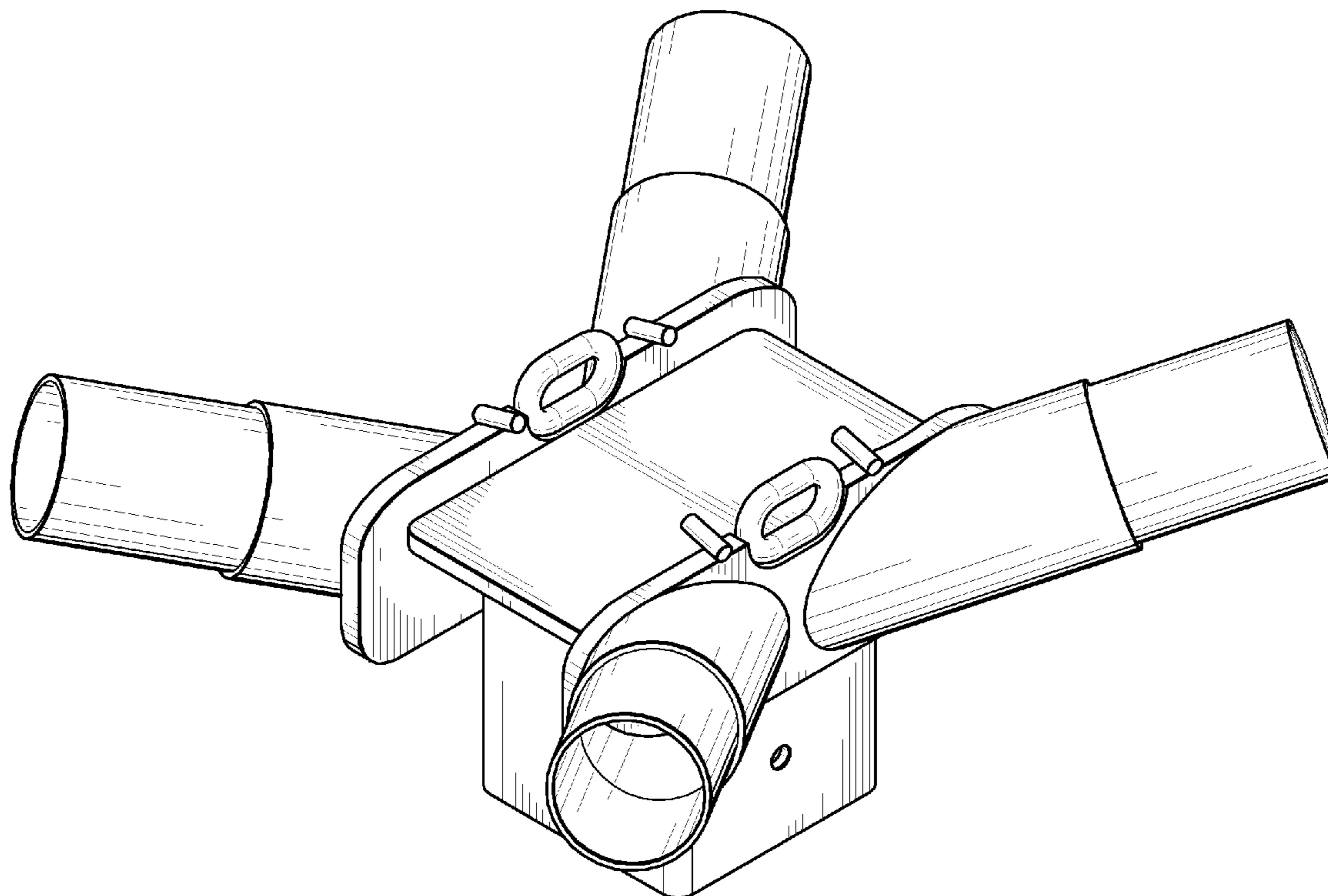
FIG. 5 is a bottom view of the rafter element of FIG. 2.

(56) **References Cited**

U.S. PATENT DOCUMENTS

D362,509 S * 9/1995 Russell D25/61
5,556,218 A * 9/1996 Homer 403/170
6,000,175 A * 12/1999 Gale et al. 52/63
6,022,165 A * 2/2000 Lin 403/231
6,205,738 B1 * 3/2001 Chen 52/653.2

1 Claim, 4 Drawing Sheets



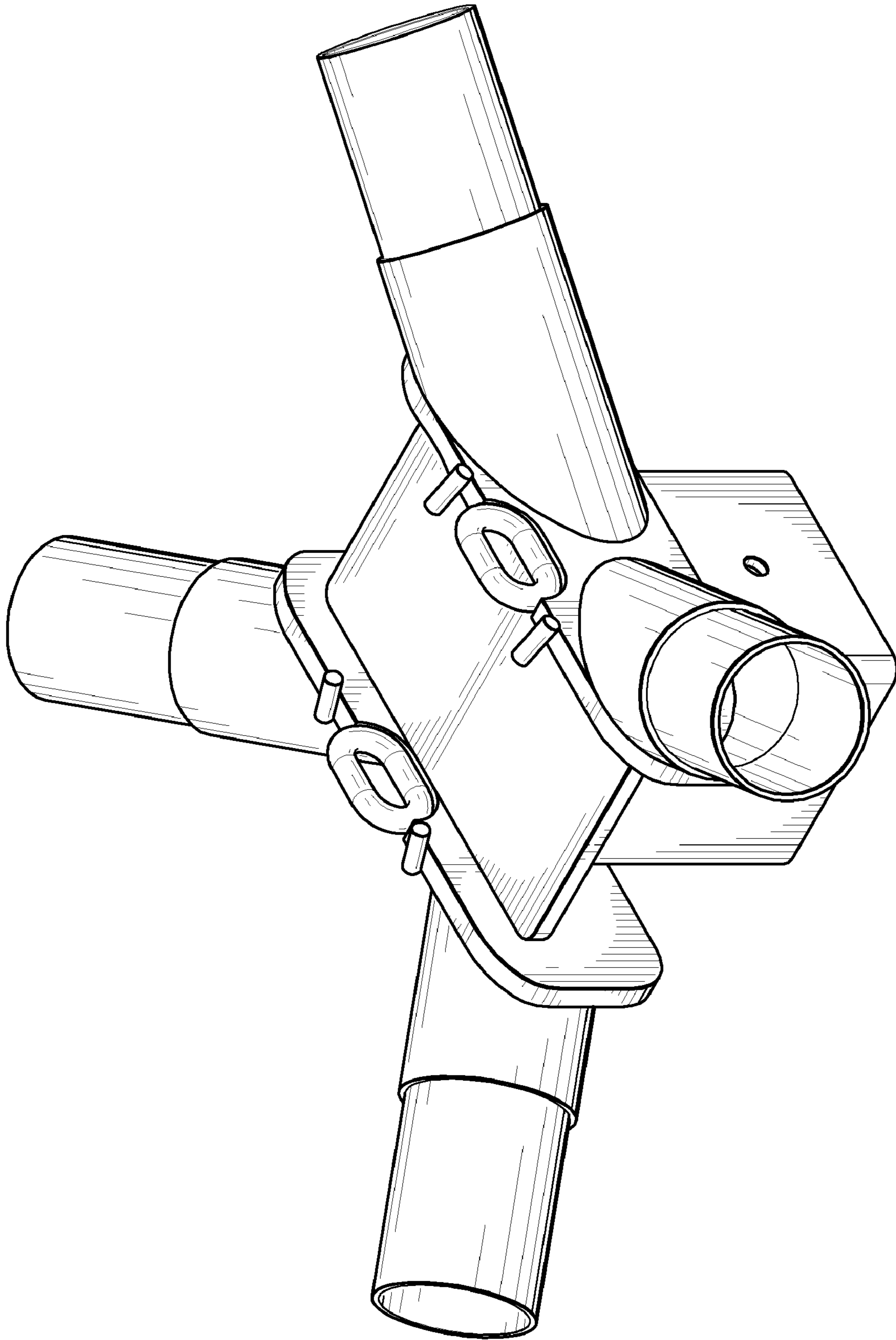


FIG. 1

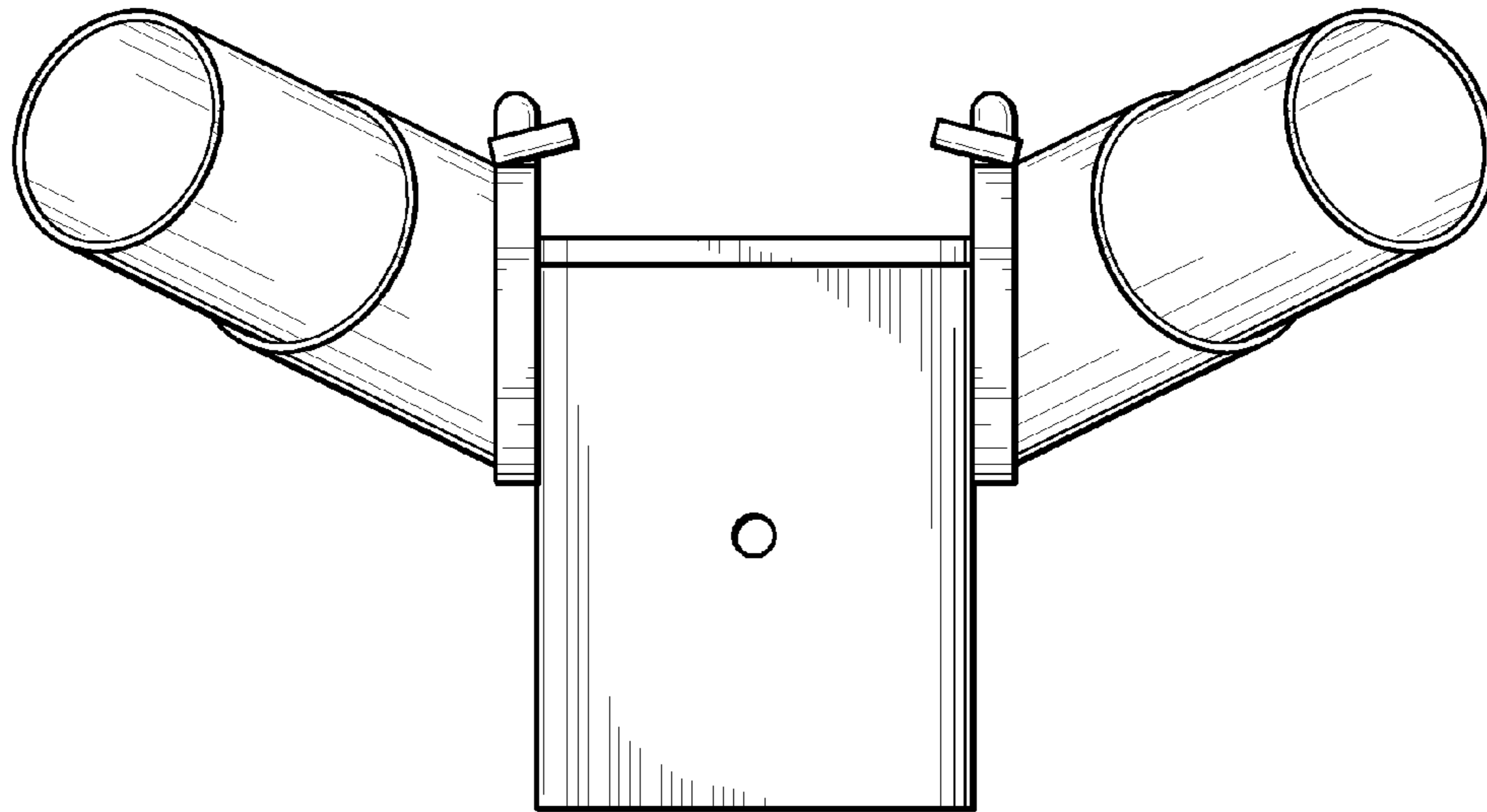


FIG. 2

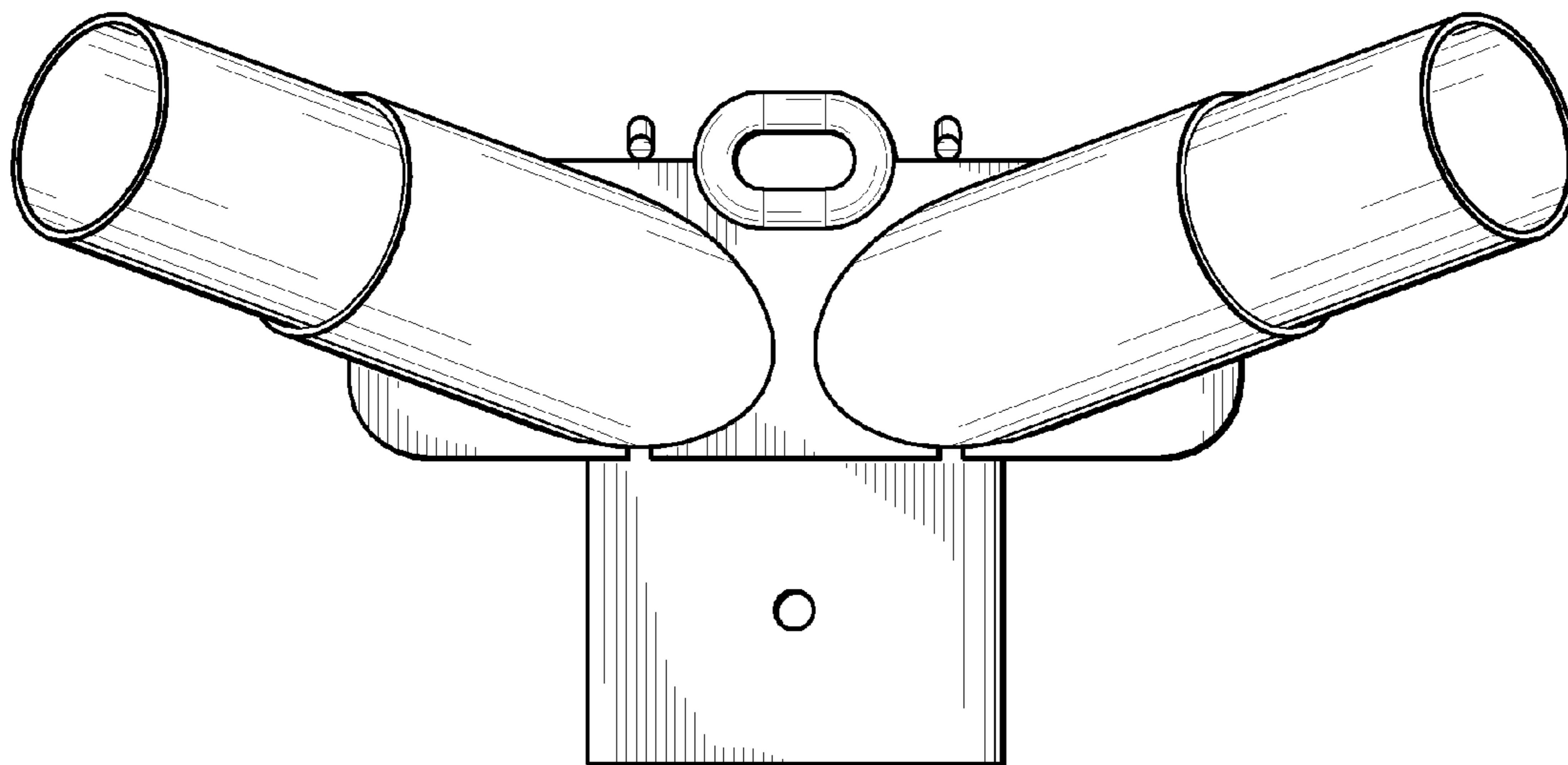


FIG. 4

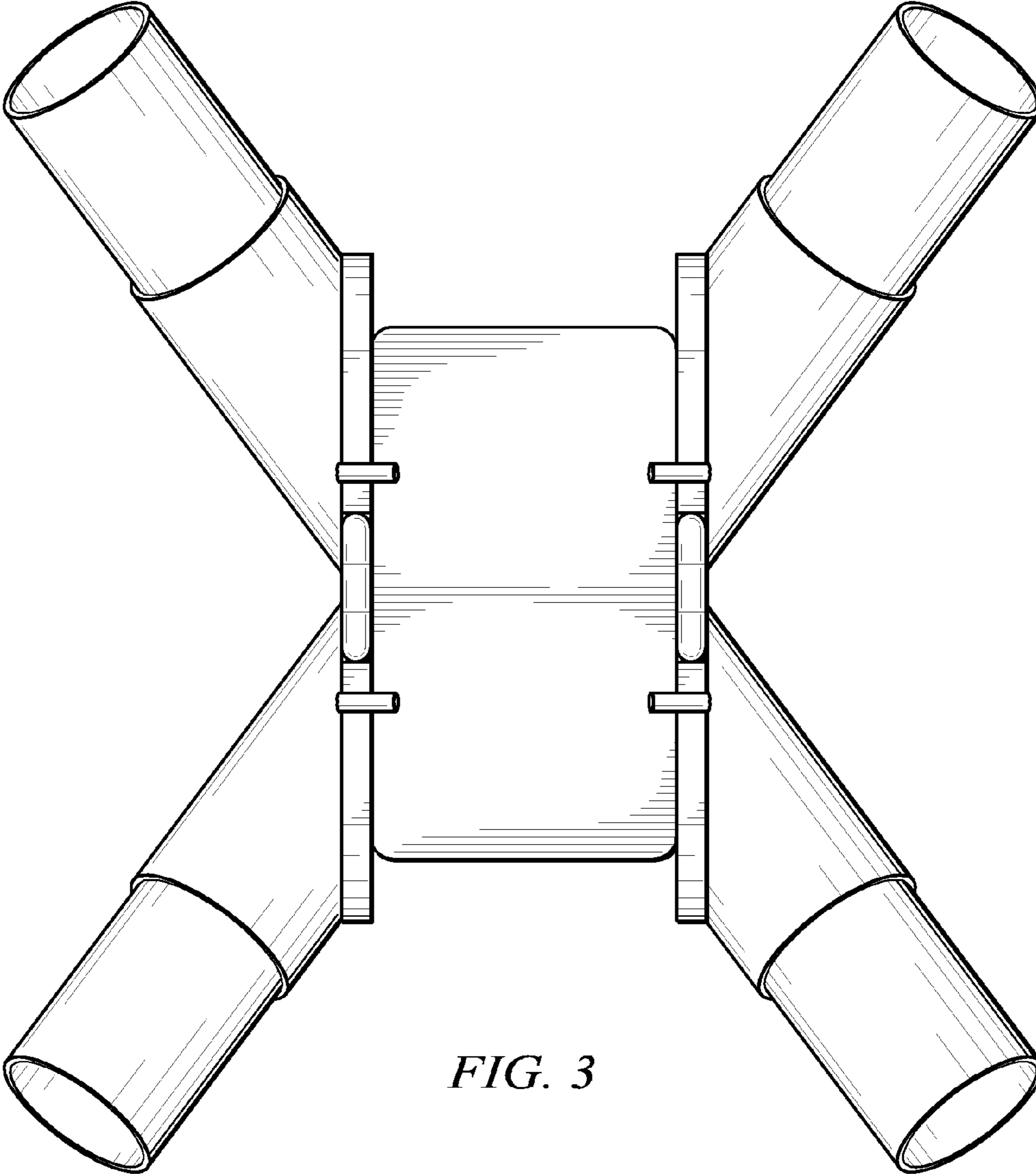


FIG. 3

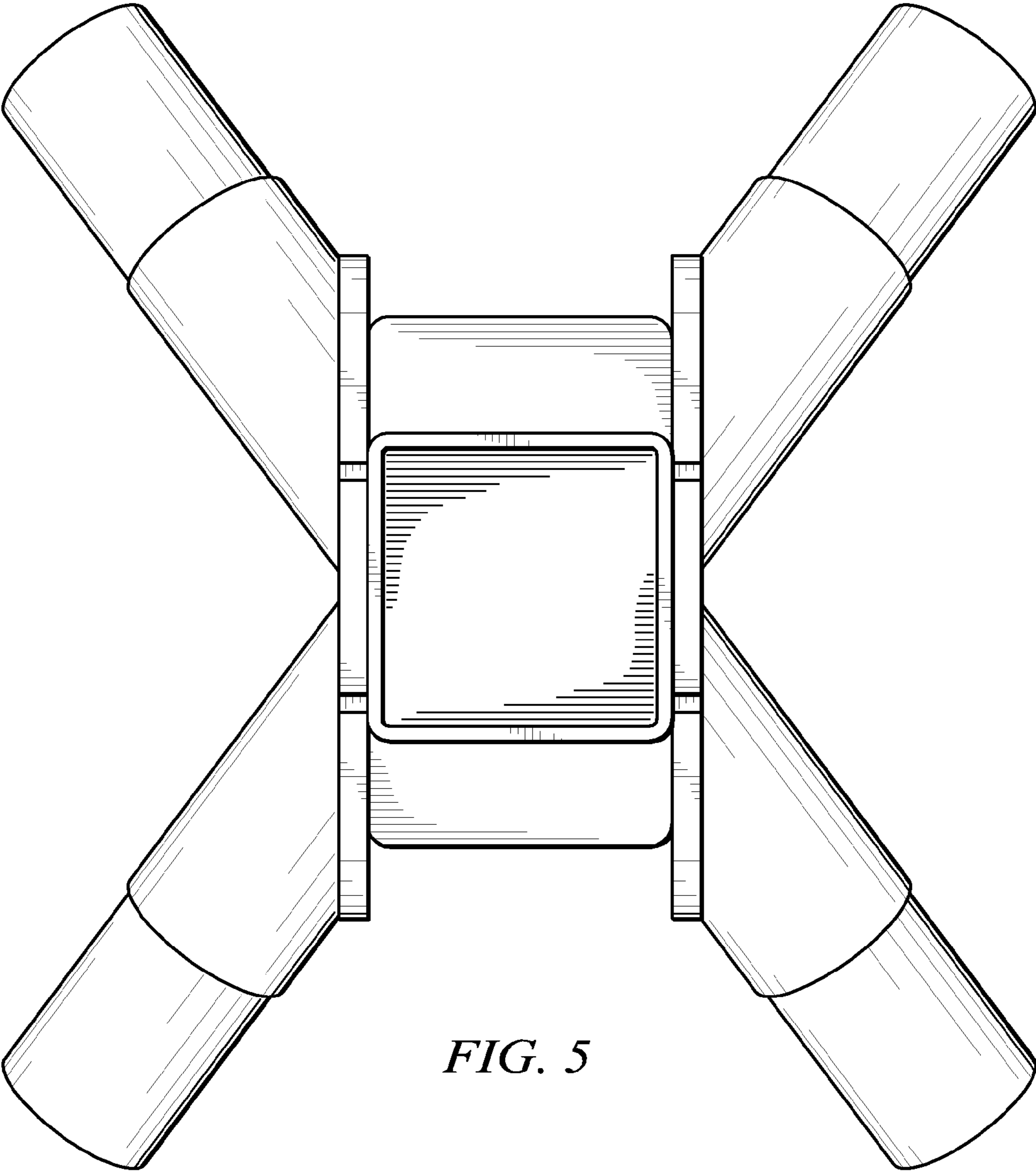


FIG. 5