



US00D554769S

(12) **United States Design Patent**
Hardaway

(10) **Patent No.:** **US D554,769 S**

(45) **Date of Patent:** **** Nov. 6, 2007**

(54) **DOOR GROUPING**

(75) Inventor: **Amanda Hardaway**, Lexington, KY
(US)

(73) Assignee: **JELD-WEN, inc.**, Klamath Falls, OR
(US)

(**) Term: **14 Years**

(21) Appl. No.: **29/251,517**

(22) Filed: **Jan. 9, 2006**

(51) **LOC (8) Cl.** **25-02**

(52) **U.S. Cl.** **D25/48**

(58) **Field of Classification Search** D25/48,
D25/47, 138; 52/63, 64, 71, 455, 456, 457,
52/458, 474, 762, 764, 782.1, 784.1, 314,
52/316, 311.1, 311.2; 428/45; 49/501, 504,
49/DIG. 2

See application file for complete search history.

(56) **References Cited**

U.S. PATENT DOCUMENTS

619,676 A	2/1899	Cronin
D132,040 S	4/1942	Cummings
2,343,740 A	3/1944	Birmingham
2,682,083 A	6/1954	Patton
2,831,793 A	4/1958	Elmendorf
D192,073 S	1/1962	Jackson
3,098,781 A	7/1963	Greten
3,121,263 A	2/1964	Binner
3,212,948 A	10/1965	McMahon
3,308,013 A	3/1967	Bryant
3,512,304 A	5/1970	Meuret
3,533,190 A	10/1970	Hilfinger et al.
3,546,841 A	12/1970	Smith et al.
D222,775 S	12/1971	Sartori
3,639,200 A	2/1972	Elmendorf et al.

3,796,586 A	3/1974	Hanlon et al.
3,987,599 A	10/1976	Hines
D244,736 S	6/1977	Palka
D245,263 S *	8/1977	Andresen D25/48
D245,824 S	9/1977	Palka
D248,319 S *	6/1978	Stichtenoth D25/48

(Continued)

FOREIGN PATENT DOCUMENTS

CA 57271 10/1986

(Continued)

OTHER PUBLICATIONS

The Front Door By IWPTM, IWPTM International Wood Products brochure, © 1998, pp. 1-8.

(Continued)

Primary Examiner—Doris Clark
(74) *Attorney, Agent, or Firm*—Nelson Mullins Riley & Scarborough LLP

(57) **CLAIM**

The ornamental design for a door grouping, as shown.

DESCRIPTION

FIG. 1 is a front elevation view of a door grouping showing my new design;

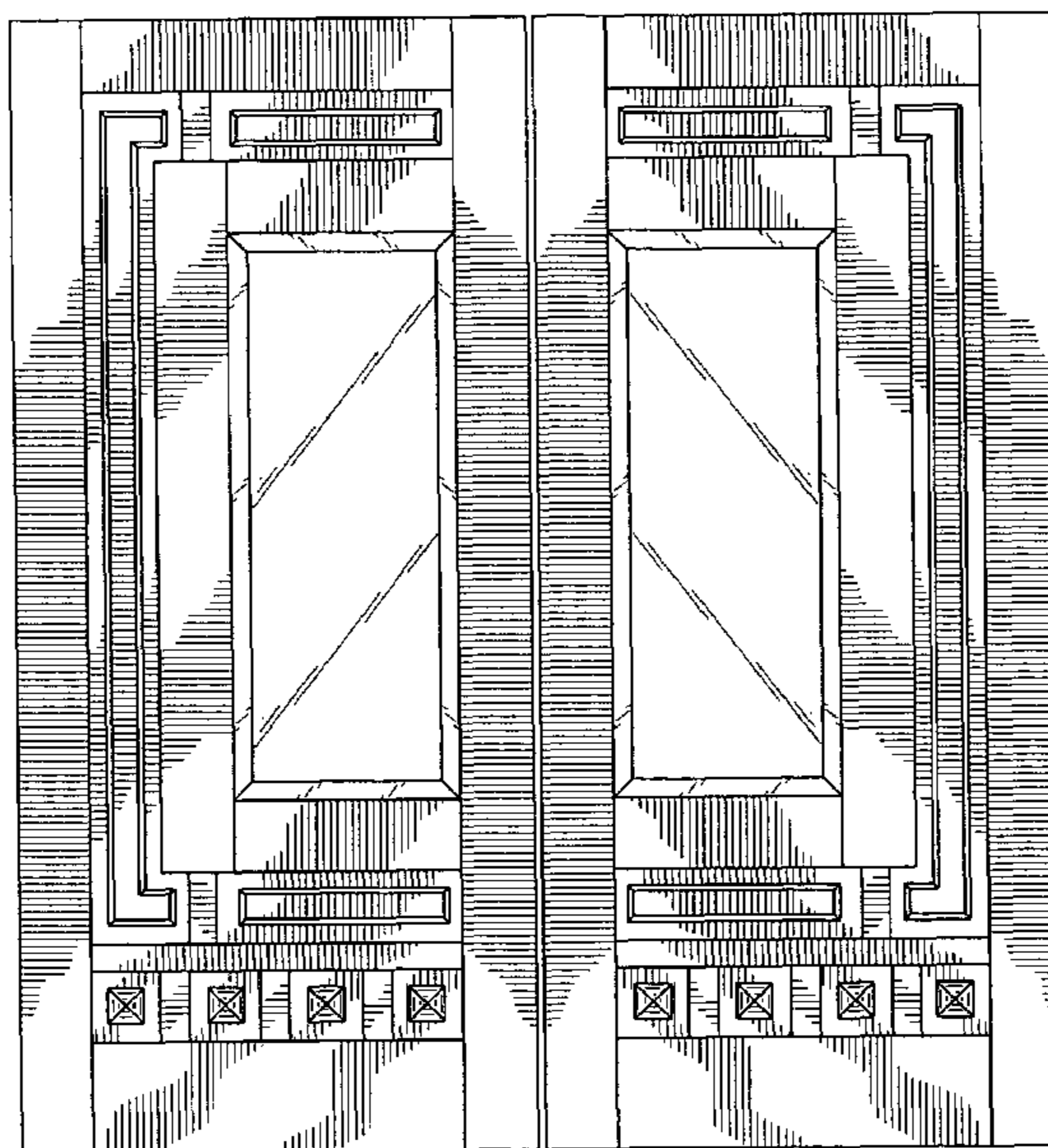
FIG. 2 is a perspective view thereof;

FIG. 3 is a front elevation view of the left door of the door grouping;

FIG. 4 is a cross sectional view taken along line 4-4 of FIG. 3; and,

FIG. 5 is a cross sectional view taken alone line 5-5 of FIG. 3.

1 Claim, 3 Drawing Sheets



US D554,769 S

U.S. PATENT DOCUMENTS

D257,393 S	10/1980	Hull et al.	
4,236,365 A	12/1980	Wheeler	
4,246,310 A	1/1981	Hunt et al.	
4,248,163 A	2/1981	Caughey et al.	
4,277,428 A	7/1981	Luck et al.	
D266,042 S	9/1982	Moore et al.	
D266,720 S	11/1982	Moore et al.	
4,361,612 A	11/1982	Shaner et al.	
4,364,984 A	12/1982	Wentworth	
4,441,296 A	4/1984	Grabendike et al.	
D274,107 S	6/1984	Gordon	
D274,944 S	7/1984	Coppa	
4,503,115 A	3/1985	Hemels et al.	
4,552,797 A	11/1985	Munk et al.	
D282,426 S	2/1986	Heimberger et al.	
4,579,613 A	4/1986	Belanger	
4,610,900 A	9/1986	Nishibori	
4,610,913 A	9/1986	Barnes	
D286,177 S	10/1986	Case et al.	
4,622,190 A	11/1986	Schultz	
D288,489 S	2/1987	Tofani	
4,720,363 A	1/1988	Mayumi et al.	
4,811,538 A	3/1989	Lehnert et al.	
4,830,929 A	5/1989	Ikeda et al.	
4,853,062 A	8/1989	Gartland	
4,876,838 A	10/1989	Hagemeyer	
D304,983 S	12/1989	Palka	
4,908,990 A	3/1990	Yoon et al.	
4,942,084 A	7/1990	Prince	
D314,242 S	1/1991	Mikolaitis	
D314,625 S	2/1991	Hall	
5,016,414 A	5/1991	Wang	
D319,884 S	9/1991	Hall	
5,074,087 A	12/1991	Green	
5,074,092 A	12/1991	Norlander	
5,075,059 A	12/1991	Green	
5,167,105 A	12/1992	Isban et al.	
D335,982 S	6/1993	Brandon	
5,219,634 A	6/1993	Aufderhaar	
D338,718 S	8/1993	Izzo	
5,239,799 A	8/1993	Bies et al.	
5,293,726 A	3/1994	Schick	
D349,352 S	8/1994	Csati	
5,355,654 A	10/1994	Stanley	
5,369,869 A	12/1994	Bies et al.	
5,401,556 A	3/1995	Ishitoya et al.	
5,443,891 A	8/1995	Bach	
5,470,631 A	11/1995	Lindquist et al.	
D366,939 S	2/1996	Schafernak	
D367,121 S	2/1996	Schafernak	
D370,269 S	5/1996	Schafernak	
D371,852 S	7/1996	Schafernak	
D372,103 S *	7/1996	Schooling	D25/48

5,543,234 A	8/1996	Lynch et al.	
D380,053 S	6/1997	Forsland	
D382,350 S	8/1997	Lynch	
D388,196 S	12/1997	Schafernak et al.	
5,766,774 A	6/1998	Lynch et al.	
5,852,910 A	12/1998	Zebedee	
D411,022 S	6/1999	Schafernak et al.	
5,918,434 A	7/1999	Ballantyne et al.	
D422,088 S	3/2000	Mishina	
D426,645 S	6/2000	Bonomo et al.	
6,170,224 B1	1/2001	Boyse et al.	
6,200,687 B1	3/2001	Smith et al.	
D460,196 S *	7/2002	Ben-Ezra	D25/48
6,485,800 B1	11/2002	Liittschwager et al.	
D468,027 S	12/2002	Jimenez et al.	
D472,330 S	3/2003	Marshall	
6,615,558 B2 *	9/2003	Libby et al.	52/455
D501,565 S	2/2005	Malicki et al.	
D501,931 S	2/2005	Davina et al.	
6,899,835 B2	5/2005	Liittschwager et al.	
D517,219 S	3/2006	Davina et al.	
7,022,414 B2	4/2006	Davina et al.	
D528,670 S	9/2006	Davina et al.	
2005/0266222 A1	12/2005	Clark et al.	

FOREIGN PATENT DOCUMENTS

DE	3801486 A1	8/1989
EP	0 049 299 B1	4/1982
EP	0 225 629 B2	6/1987

OTHER PUBLICATIONS

JELD-WEN® Windows & Doors, IWP® Custom Wood Entrance Systems brochure, © 2006, pp. 2, 26, 28, 53, 72, 75, and 77.
Masonite Brand Door Facing - brochure, published in 1987.
Elite Doors - brochure, apparently published in Oct., 1987.
"The New Mission Series" product brochure by Nord, Part of the JELD-WEN family, 300 W. Marine View Drive, Everett, WA 98201-1030, in existence at least as of Oct. 29, 2002.
Lloyd, William B., Millwork Principles and Practices, Manufacture-Distribution Use, Cahners Pub. Co., Inc., Chicago, IL © 1966, pp. 173 and 192 (FIGS. 100 & 103).
1981 Sweet's Catalog, Section 8-3/50, p. 7.
Therma-Tru® Doors brochure, pp. 117-120, 122, 124-130, © 2000.
Simpson® Door Co. Infinity Encore® brochure, © 2001.
Simpson® Door Co. Infinity Doors brochure, © 2004.
Simpson® Door Co. Bungalow Series™ brochure, © 2004.
Simpson® Door Co. Mahogany Collection brochure, © 2004.
Simpson® Door Co. Simpson Custom Doors brochure, © 2004, pp. 4 and 7-20.
Simpson® Door Co. Doors of a Lifetime® brochure, © 2004, pp. 10, 18, 22, 40 and 41.
Therma-Tru® Doors Product Manual, Jun. 2005, pp. 3.1 - 6.20.

* cited by examiner

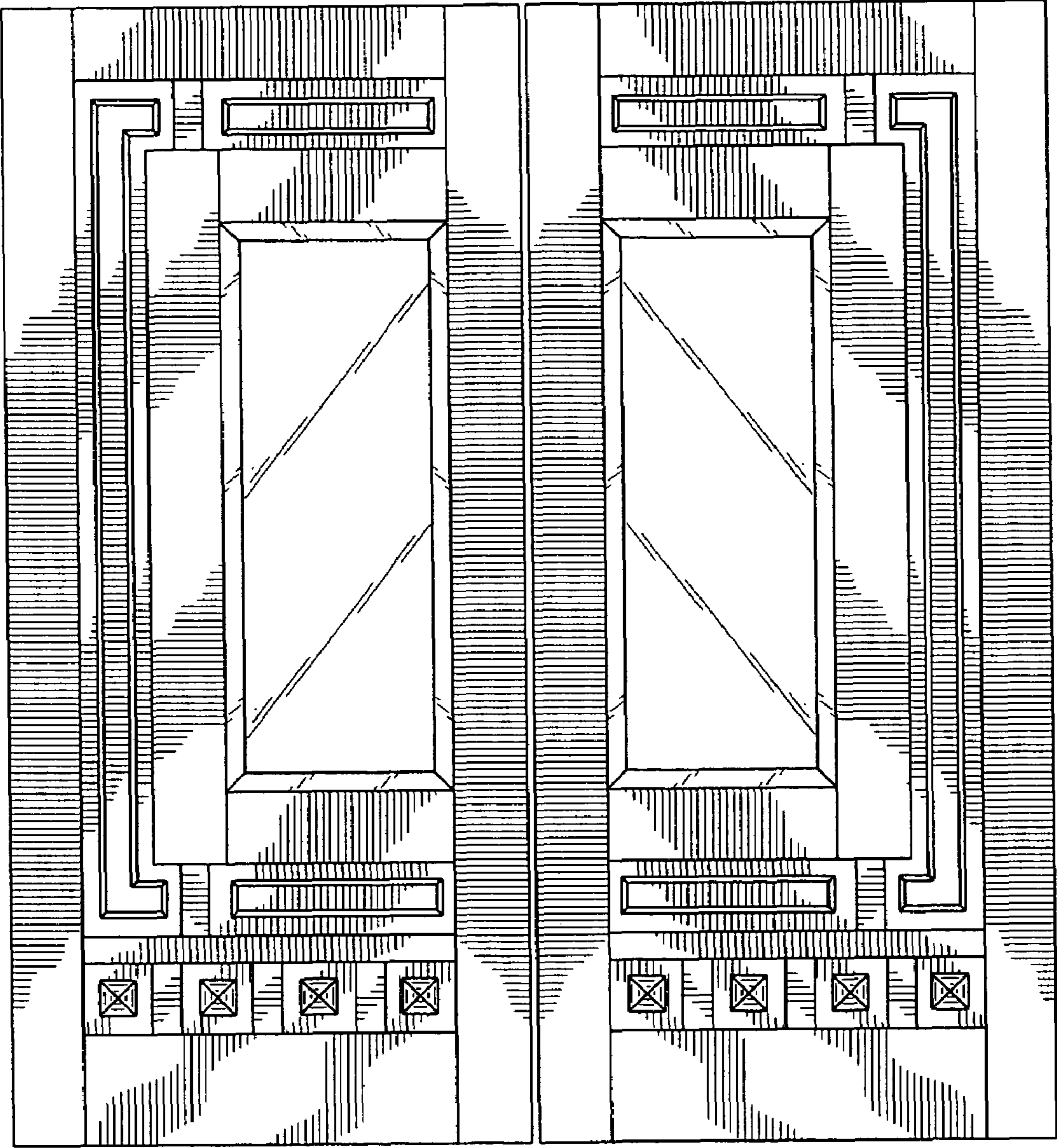


FIG. 1

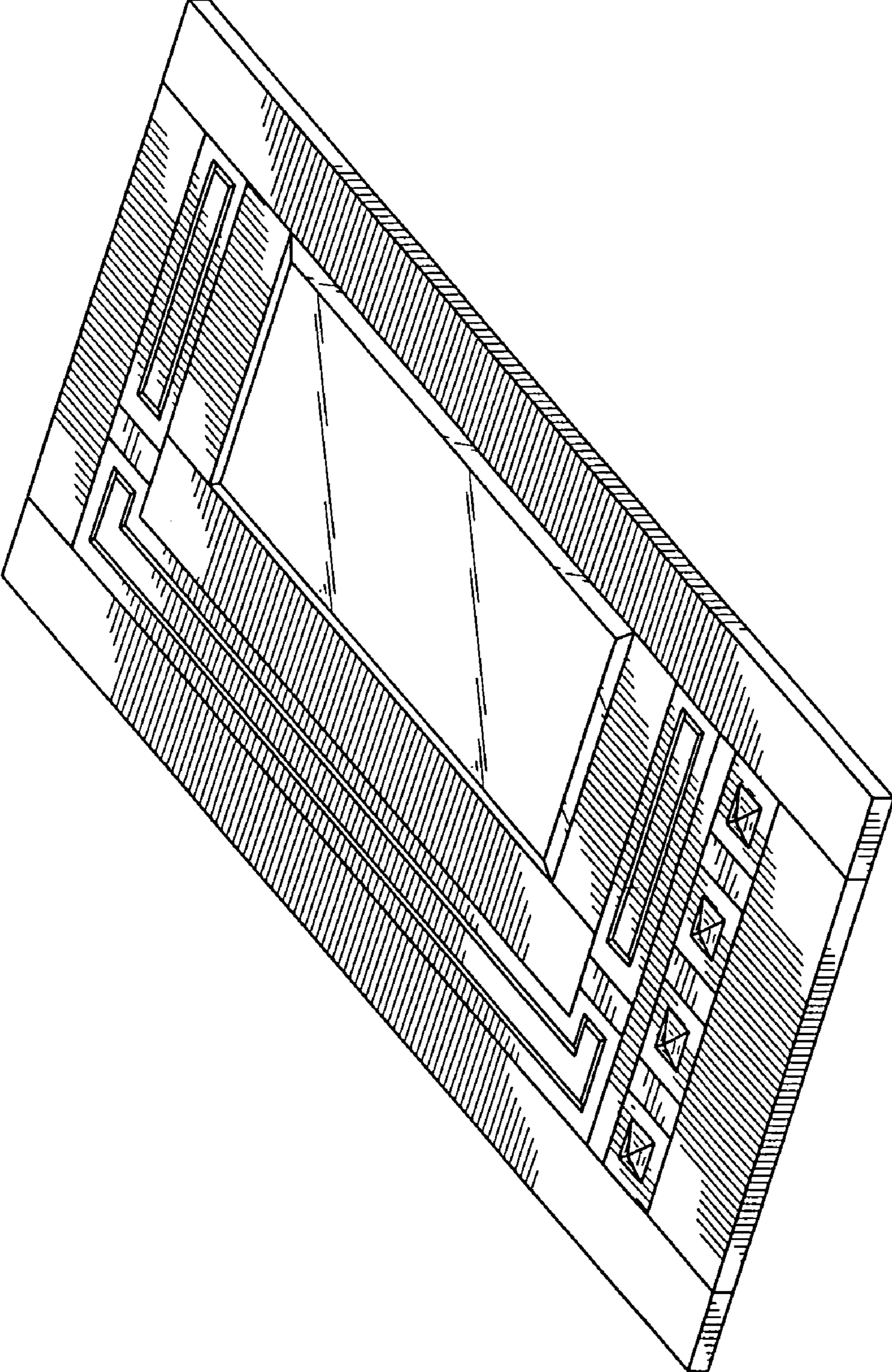


FIG. 2

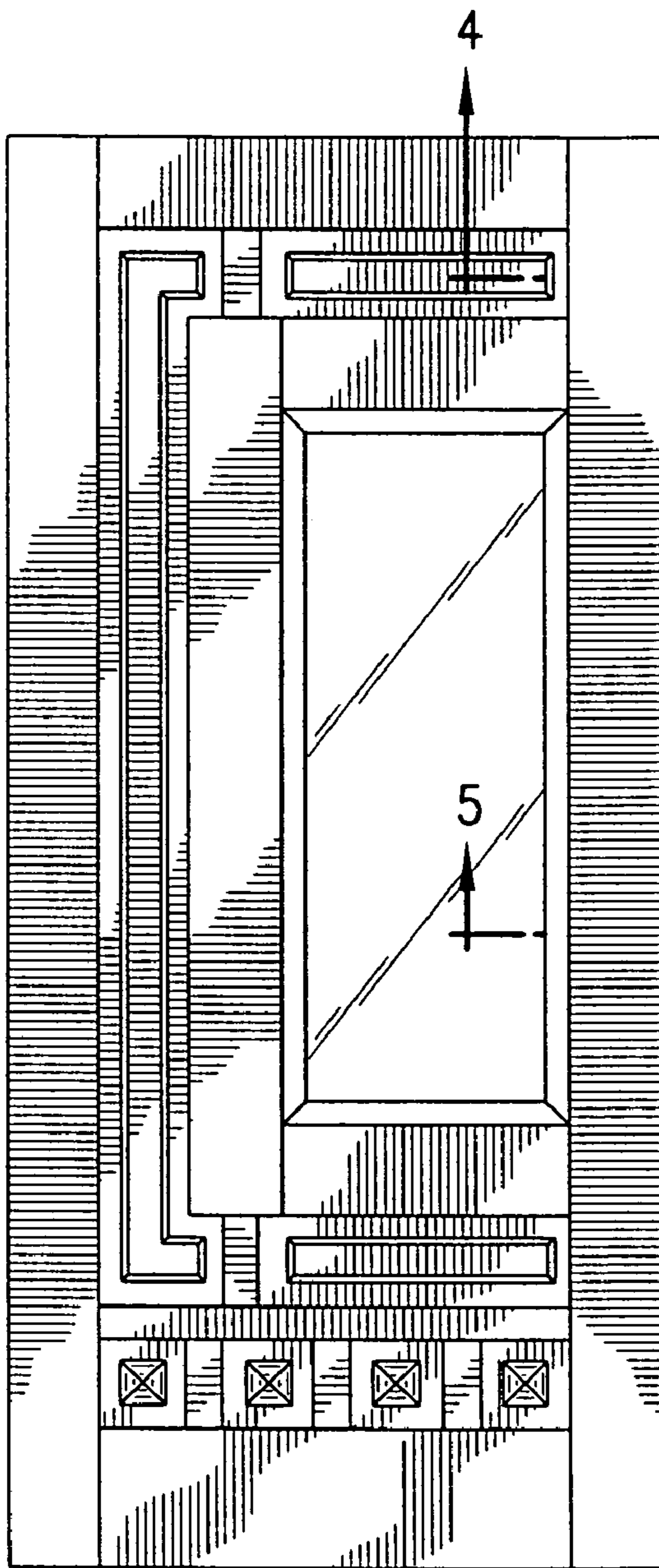


FIG. 3

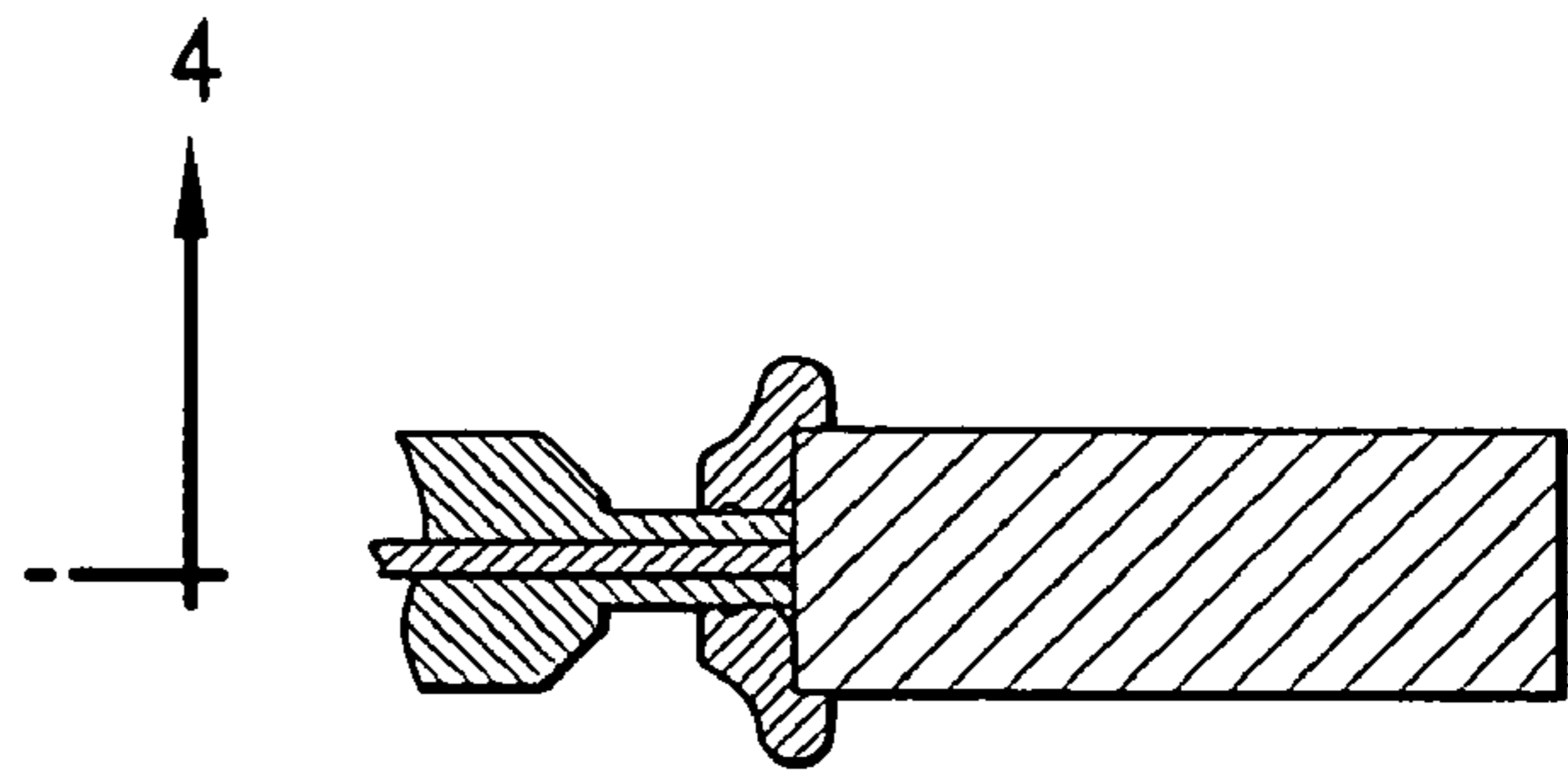


FIG. 4

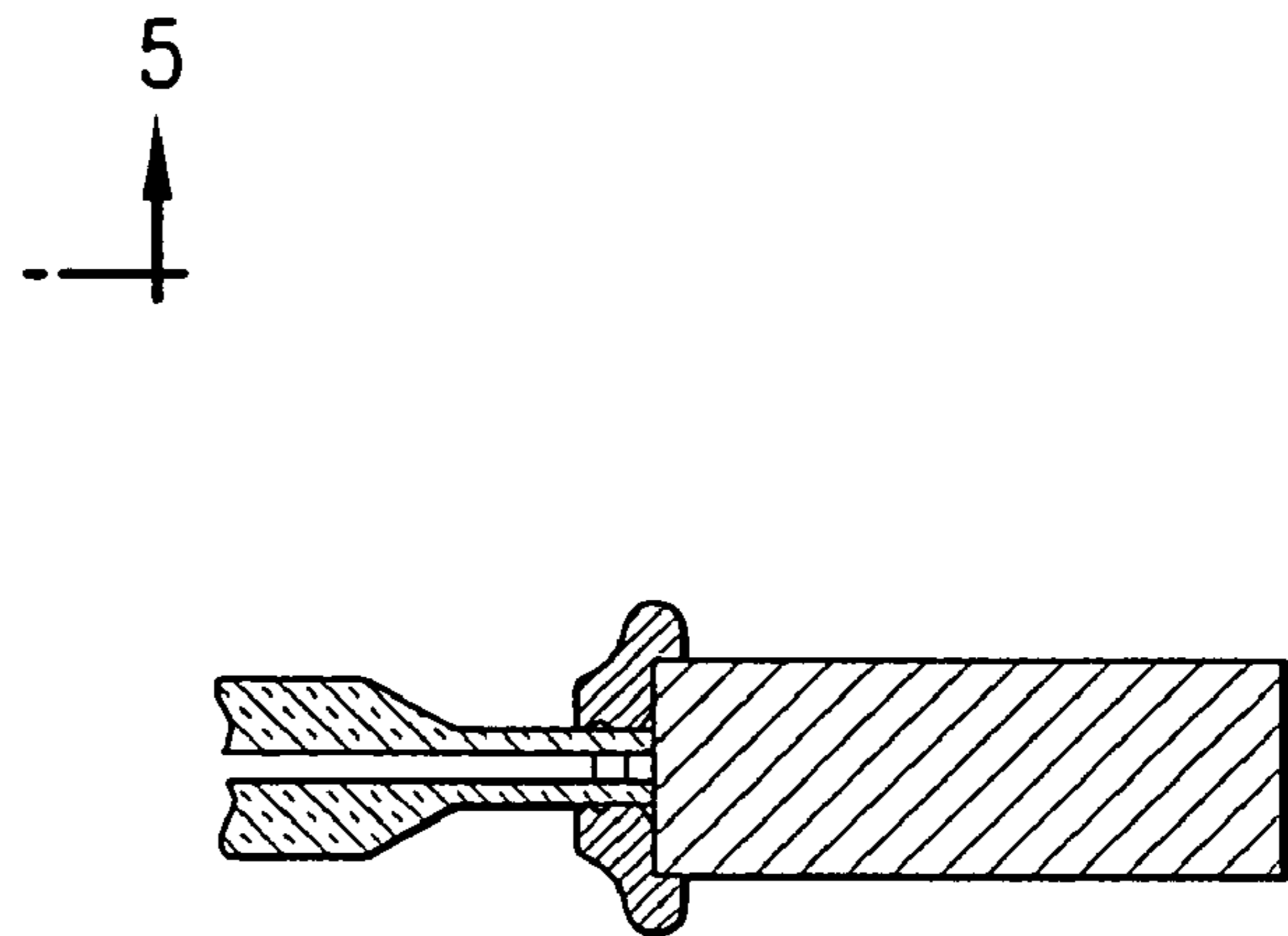


FIG. 5