



US00D554766S

(12) **United States Design Patent**
Wendel

(10) **Patent No.:** **US D554,766 S**
(45) **Date of Patent:** **** Nov. 6, 2007**

(54) **PRIVACY SCREEN**

(57) **CLAIM**

(76) **Inventor:** **Wendel R. Wendel**, 2859 Spyglass
Cove, Longwood, FL (US) 32779

The ornamental design for a privacy screen, as shown and described.

(**) **Term:** **14 Years**

DESCRIPTION

(21) **Appl. No.:** **29/226,194**

FIG. 1 is a front right perspective view of a privacy screen showing my new design;

(22) **Filed:** **Mar. 24, 2005**

FIG. 2 is a top plan view thereof;

(51) **LOC (8) Cl.** **25-02**

FIG. 3 is a front elevation view thereof;

(52) **U.S. Cl.** **D25/38; D25/49**

FIG. 4 is a left side view thereof;

(58) **Field of Classification Search** D25/53,
D25/39, 38, 49; 160/20, 22, 46, 32, 61, 131;
49/71, 74.1; 256/24, 73

FIG. 5 is a is a right side view thereof;

FIG. 6 is a rear elevation view thereof;

FIG. 7 is a bottom plan view thereof;

See application file for complete search history.

FIG. 8 is a front right perspective view of a second embodiment of my privacy screen;

FIG. 9 is a top plan view of the embodiment of FIG. 8;

FIG. 10 is a front elevation view of the embodiment of FIG. 8;

(56) **References Cited**

U.S. PATENT DOCUMENTS

- 4,498,660 A * 2/1985 Brema et al. 256/19
- D427,322 S * 6/2000 DeSouza D25/38
- D463,036 S * 9/2002 Petitt et al. D25/38

FIG. 11 is a left side view of the embodiment of FIG. 8;

FIG. 12 is a is a right side view of the embodiment of FIG. 8;

FIG. 13 is a rear elevation view of the embodiment of FIG. 8; and,

* cited by examiner

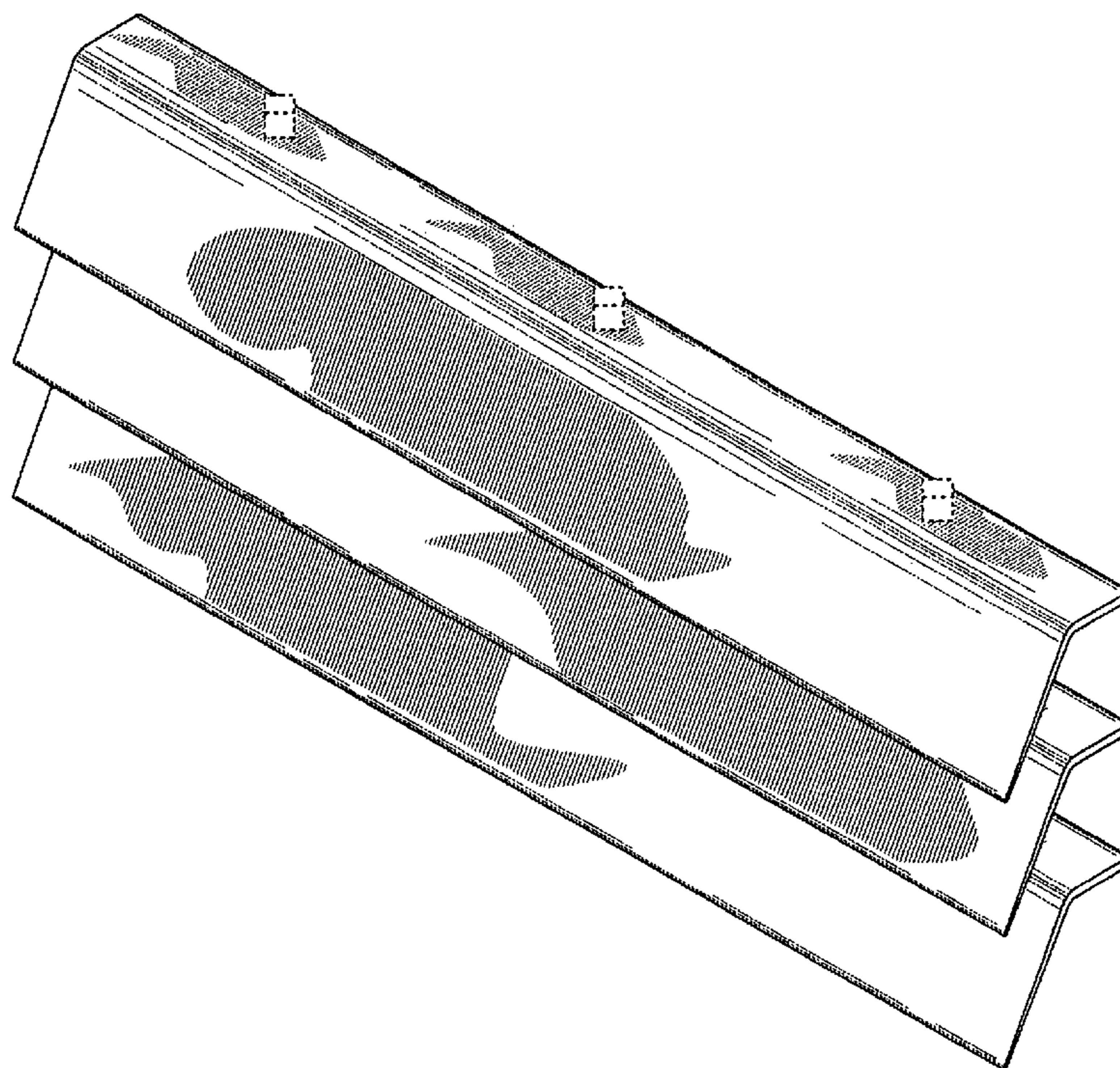
FIG. 14 is a bottom plan view of the embodiment of FIG. 8.

The broken lines showing in the attached drawings are for illustrative purposes only and form no part of the claimed design.

Primary Examiner—Doris Clark

(74) *Attorney, Agent, or Firm*—Allen, Dyer, Doppelt,
Milbrath & Gilchrist, P.A.

1 Claim, 5 Drawing Sheets



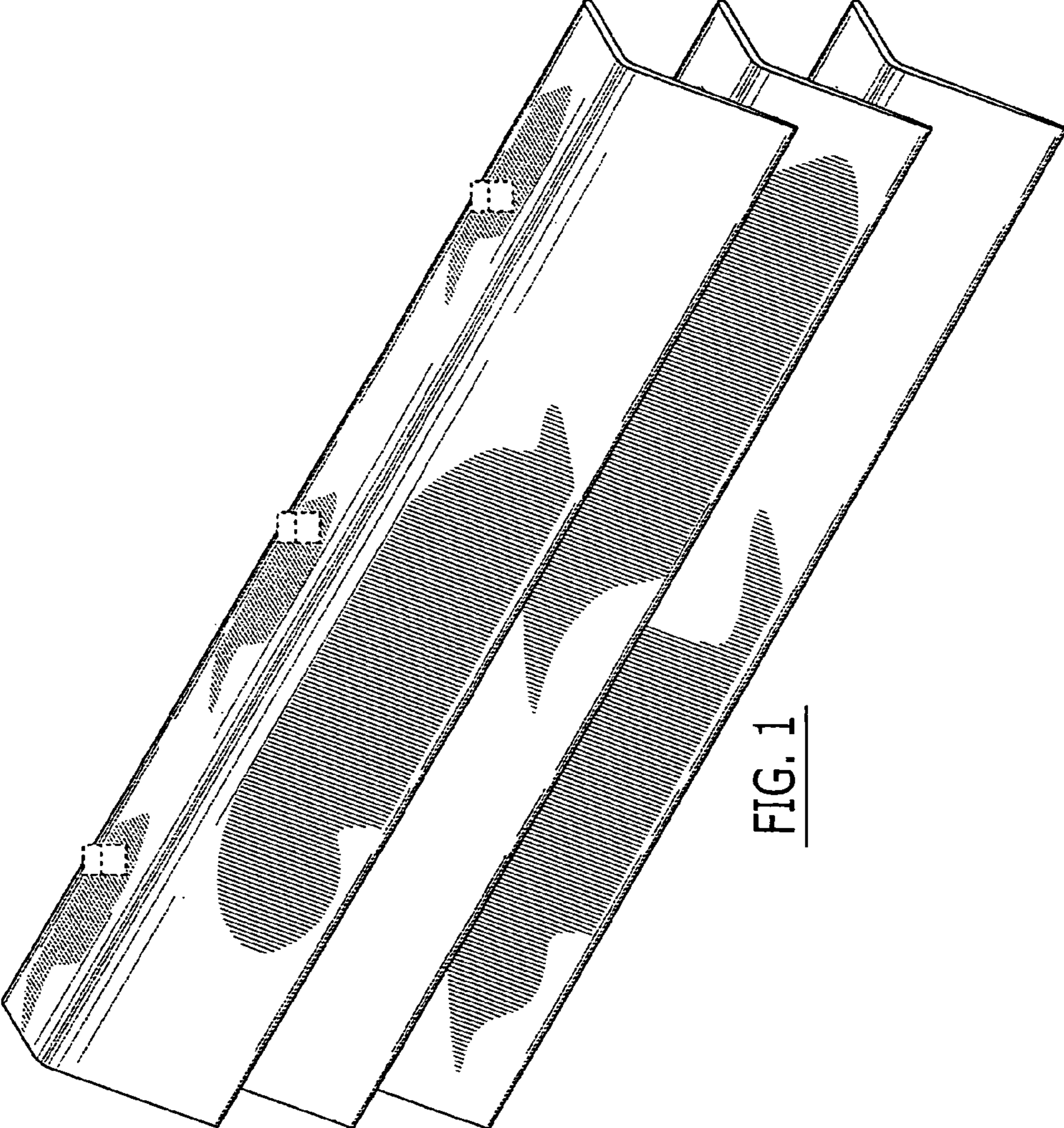


FIG. 1

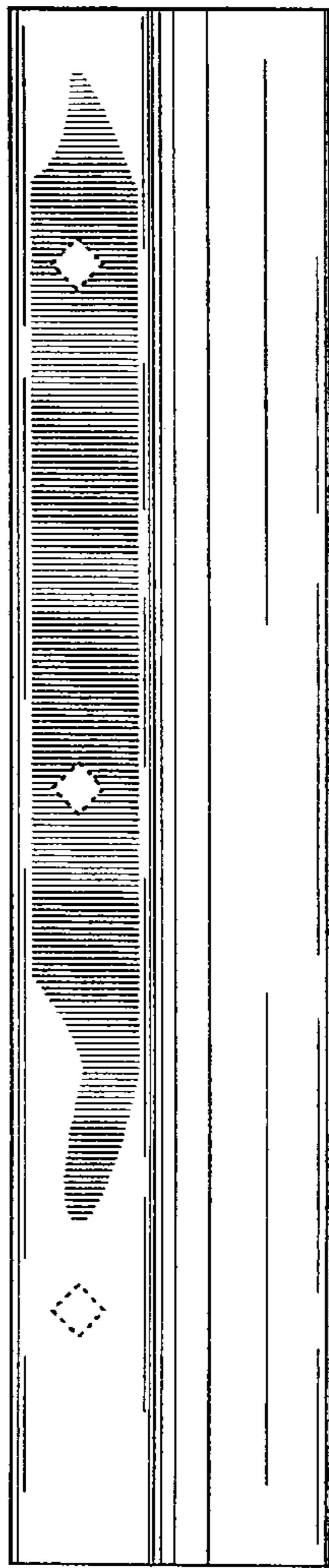


FIG. 2

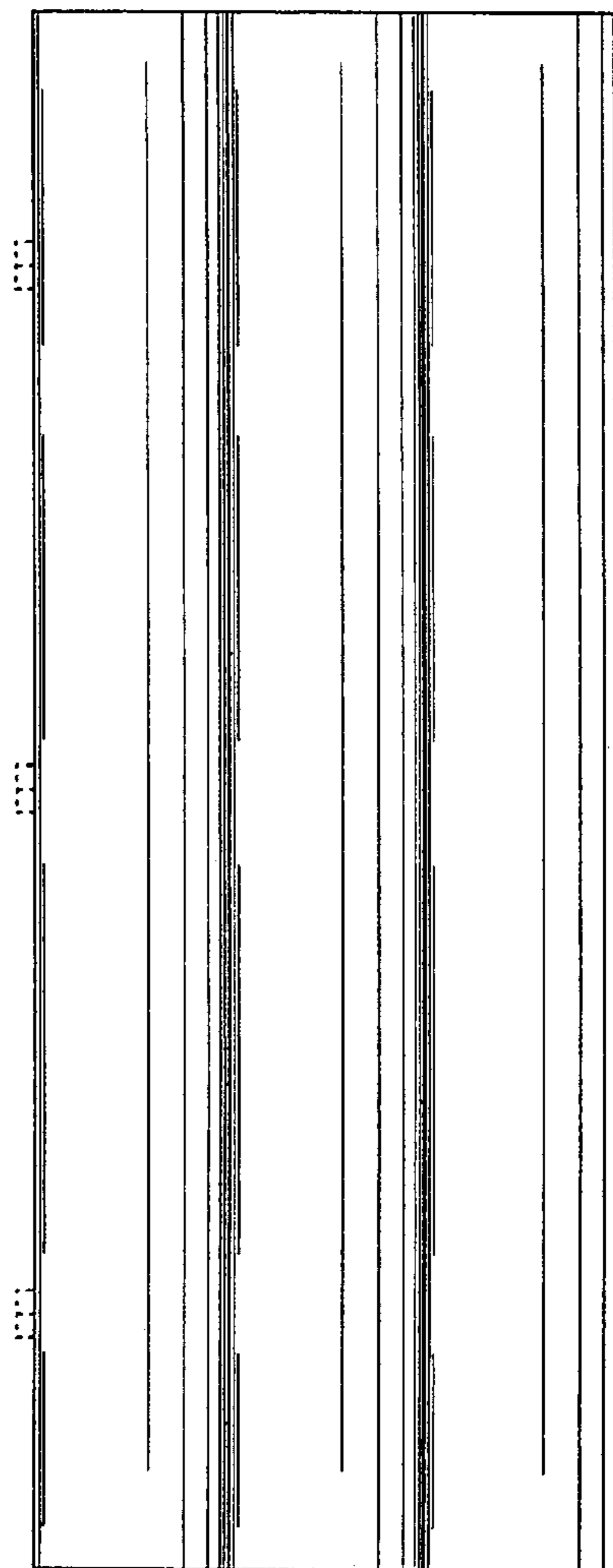


FIG. 3

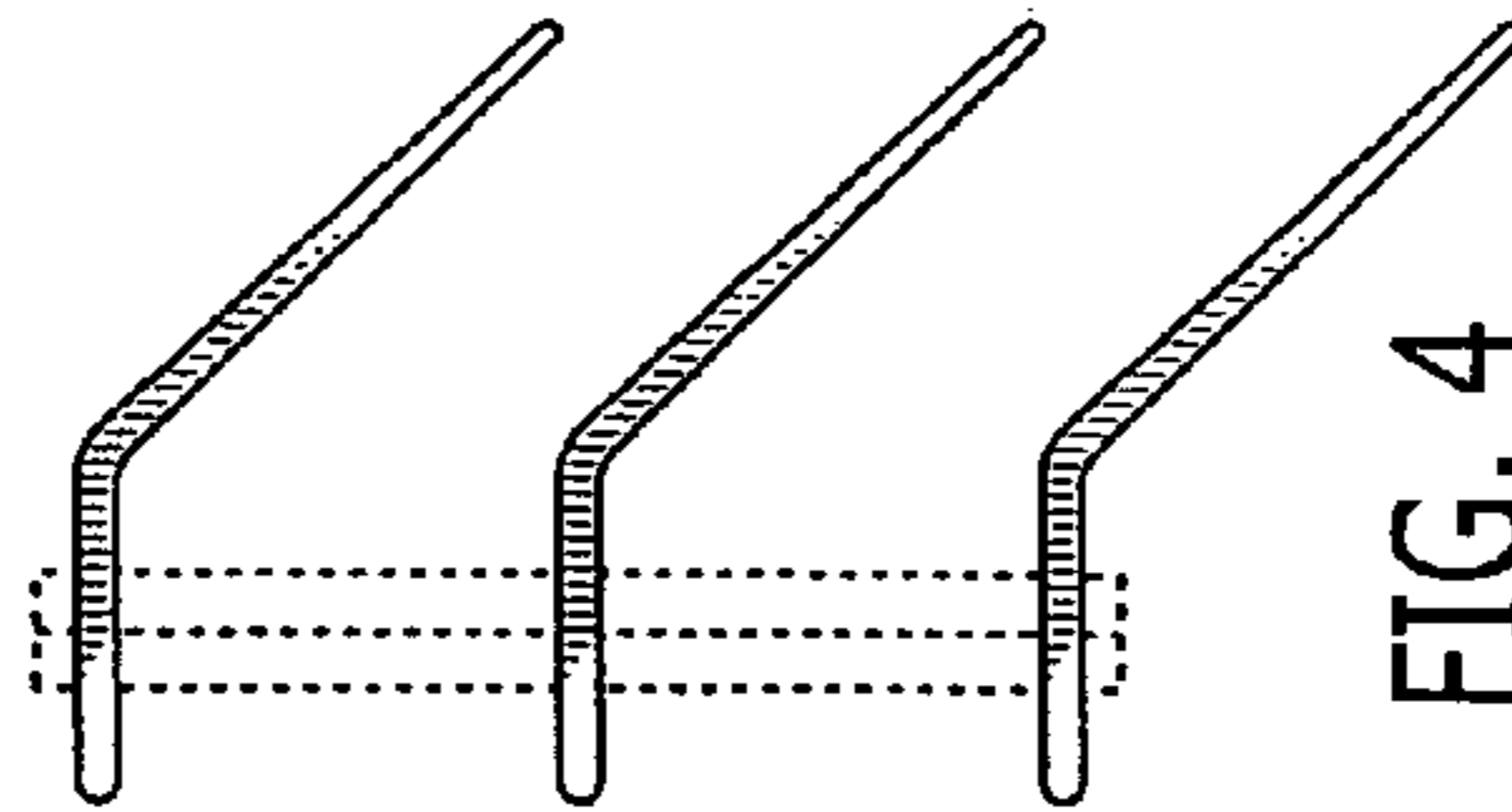


FIG. 4

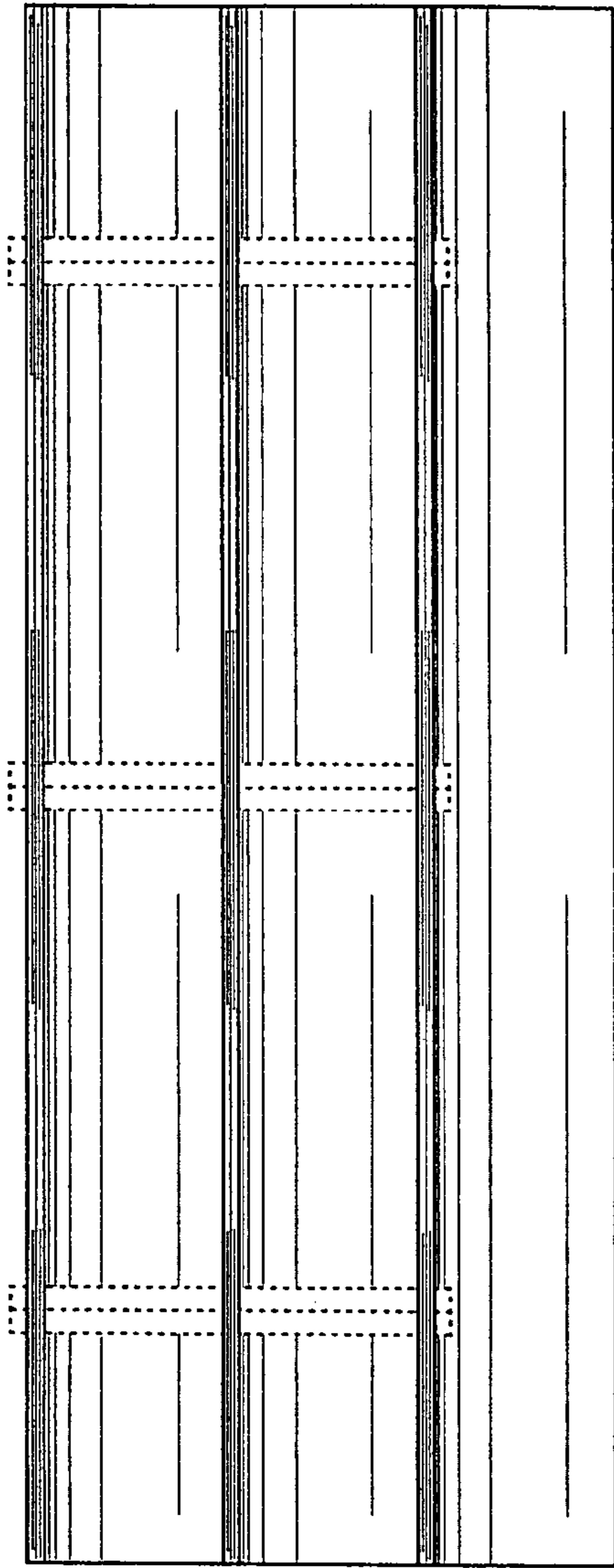


FIG. 6

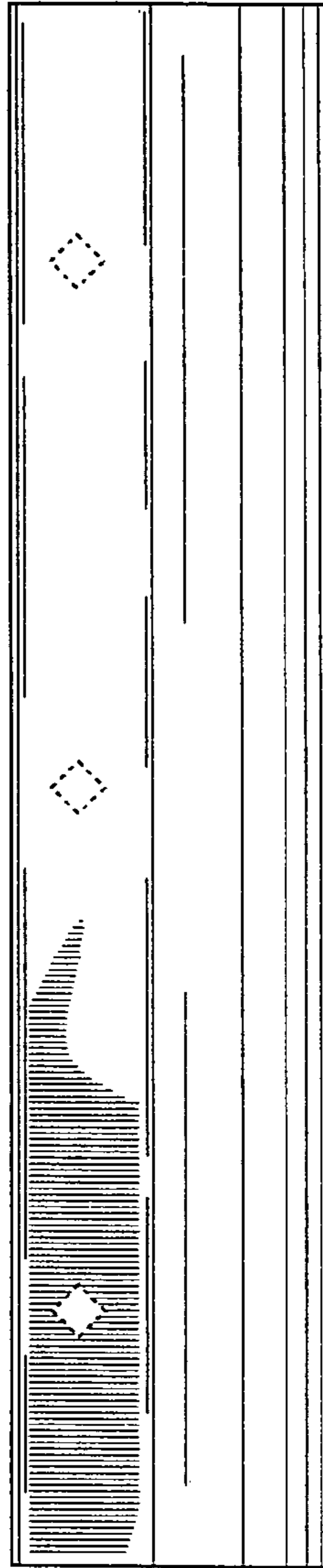


FIG. 7

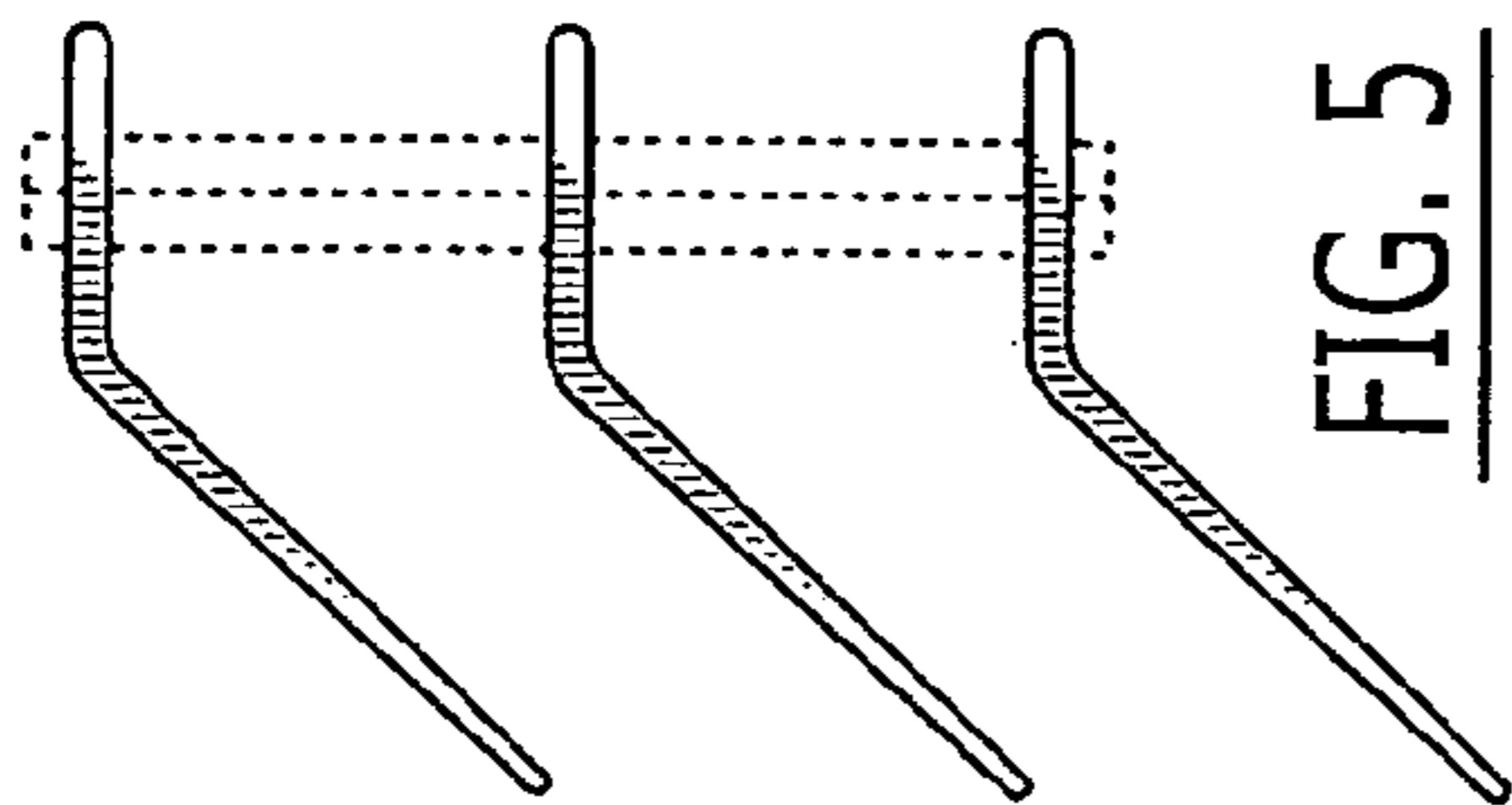


FIG. 5

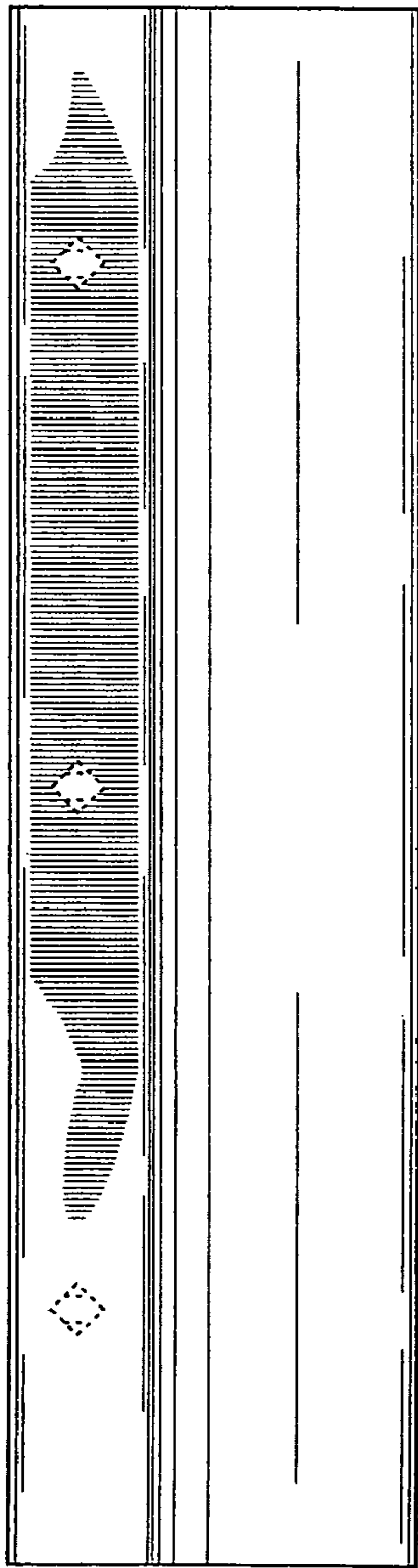


FIG. 9

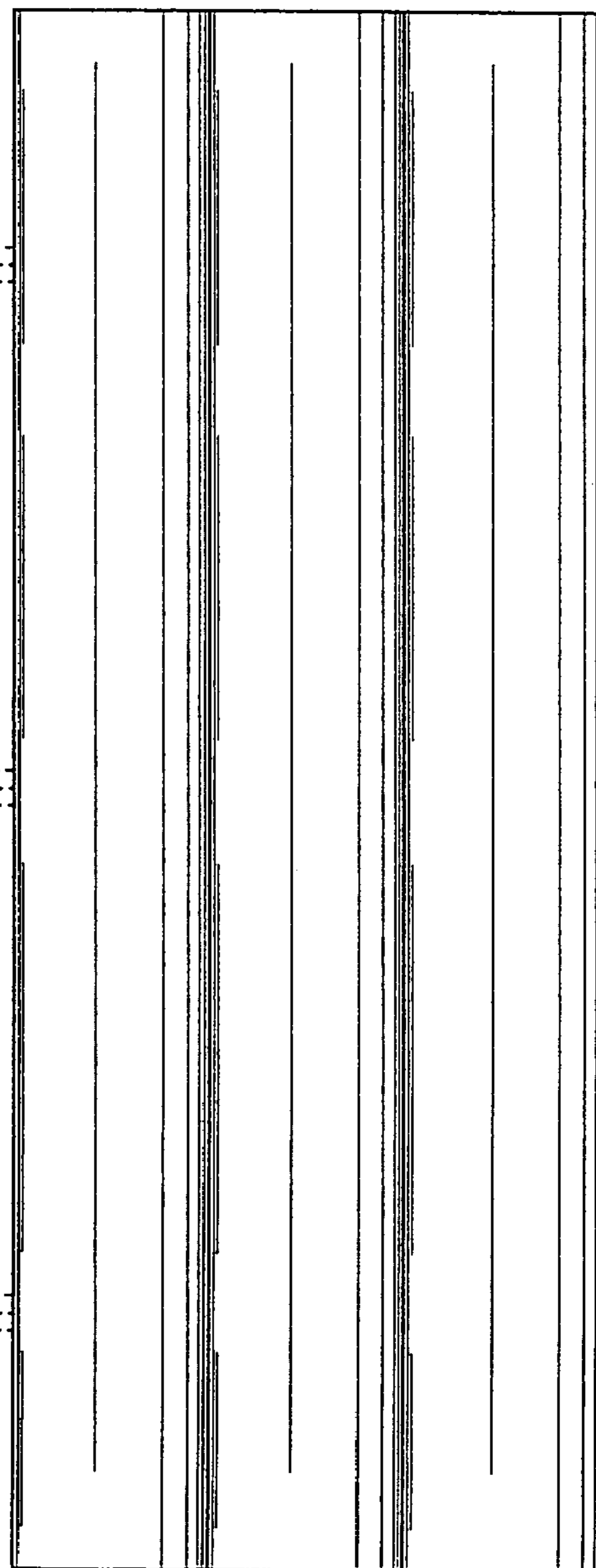


FIG. 10

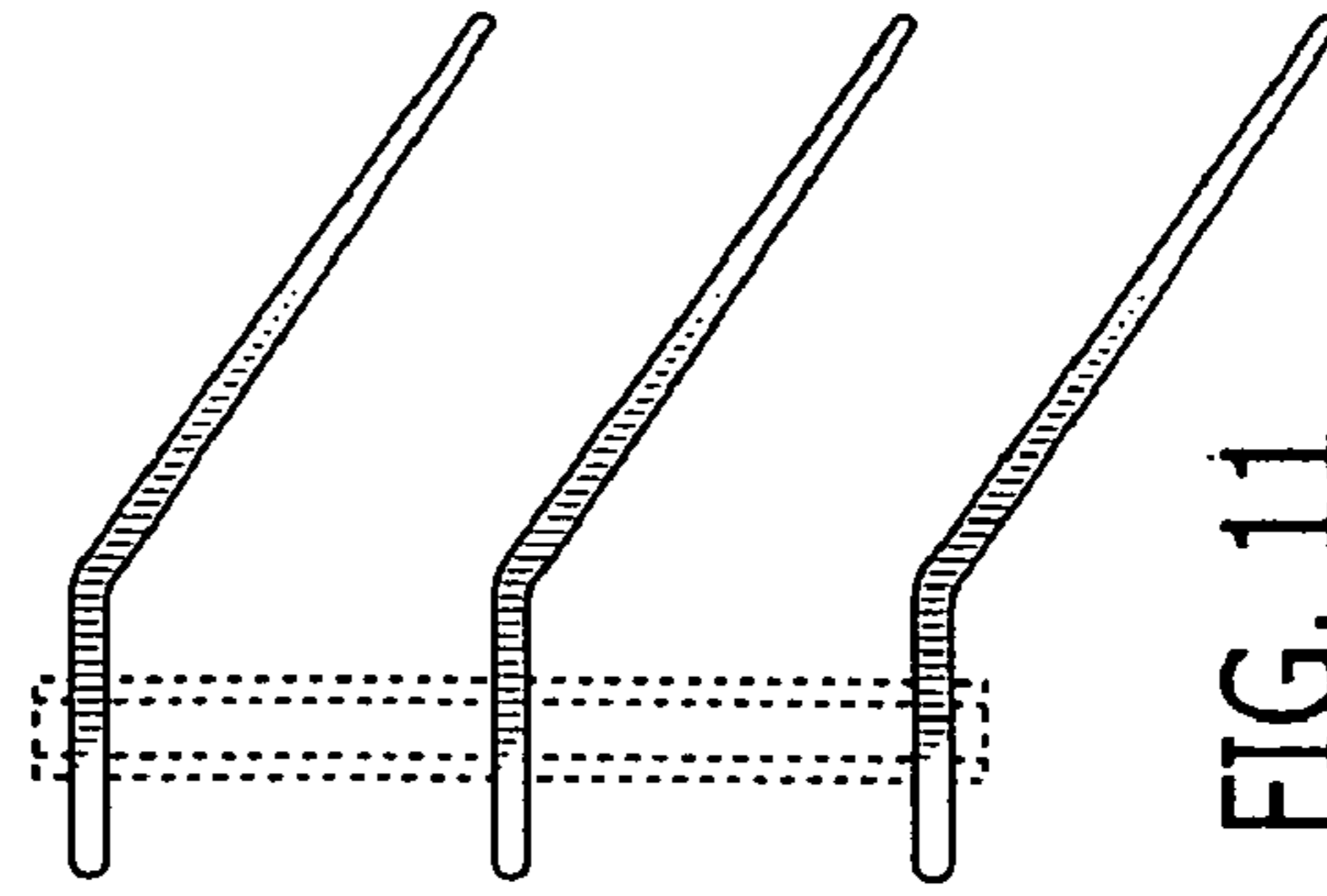


FIG. 11

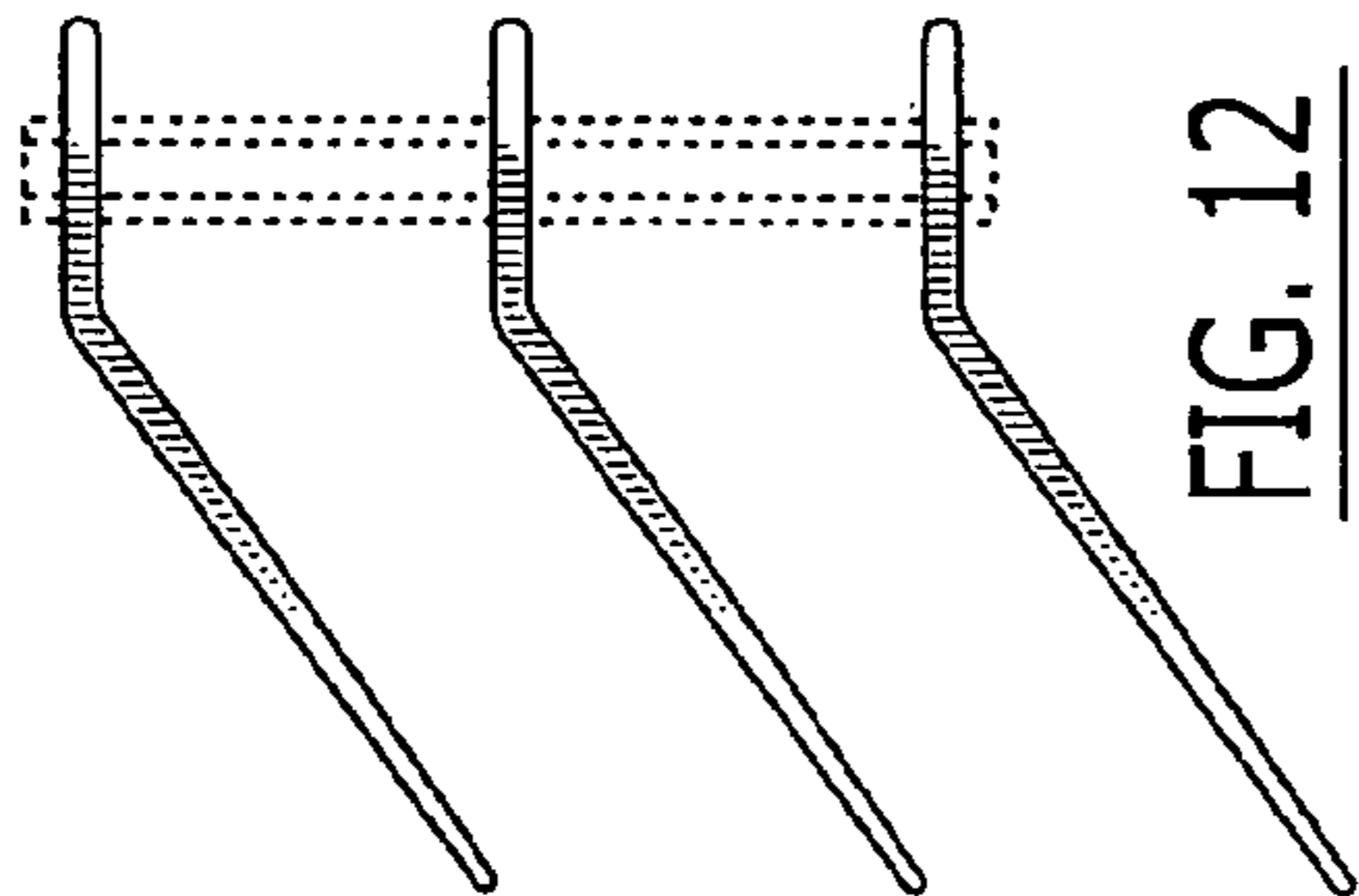


FIG. 12

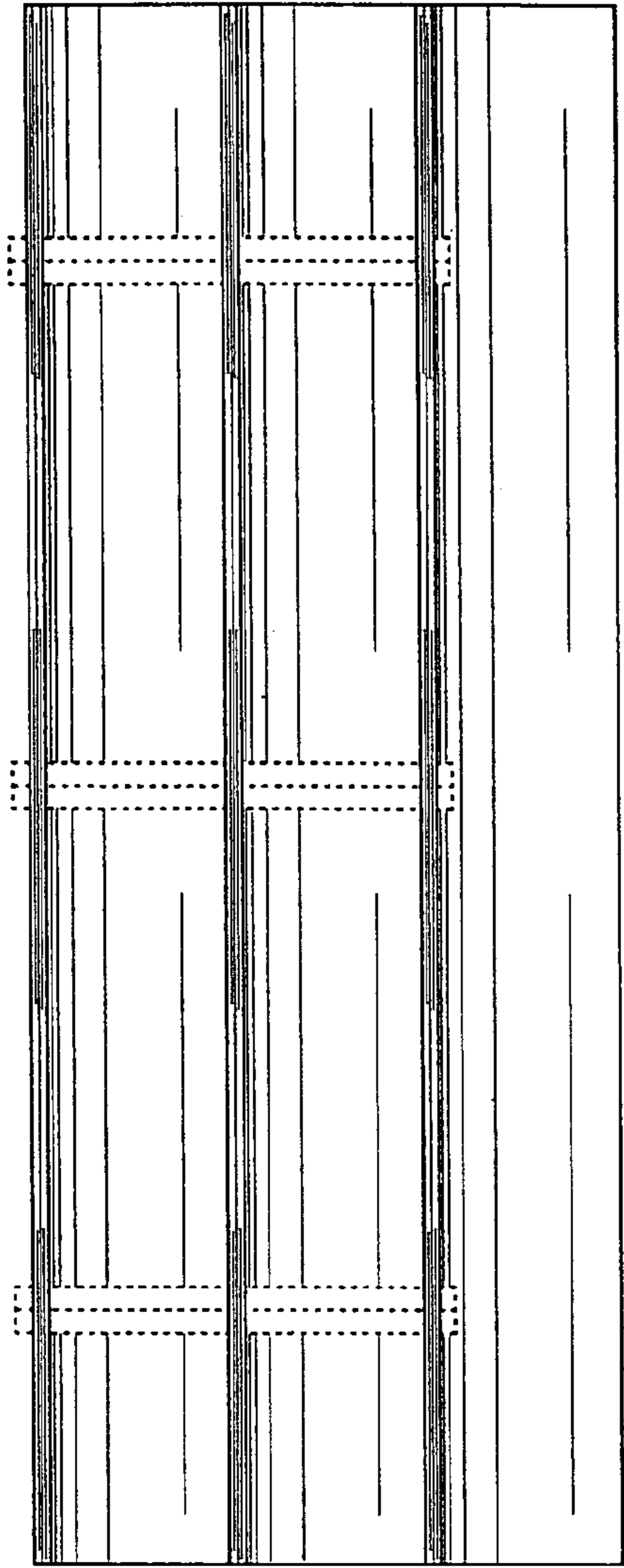


FIG. 13

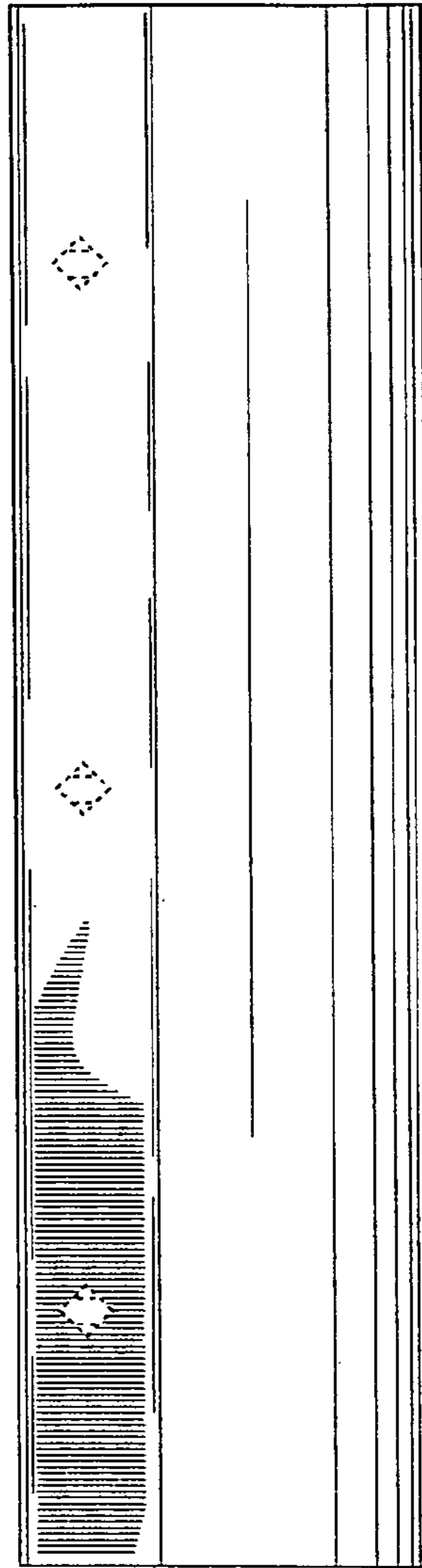


FIG. 14