



US00D554762S

(12) **United States Design Patent** (10) **Patent No.:** **US D554,762 S**
Delaney (45) **Date of Patent:** **** Nov. 6, 2007**

(54) **STERILIZER**

(76) Inventor: **Martina Maria Delaney**, Unit 93
Newton Way, Malahide Road Industrial
Estate, Cooklock, Dublin, 17 (IE)

(**) Term: **14 Years**

(21) Appl. No.: **29/276,589**

(22) Filed: **Jan. 30, 2007**

(51) **LOC (8) Cl.** **24-02**

(52) **U.S. Cl.** **D24/217**

(58) **Field of Classification Search** D24/216-234;
422/26-28, 31, 292, 295, 300-303, 305,
422/24; 134/95.2

See application file for complete search history.

(56) **References Cited**

U.S. PATENT DOCUMENTS

2,467,337	A *	4/1949	Schnell	422/302
2,471,303	A *	5/1949	Brewster	422/303
2,484,681	A *	10/1949	Brewster	422/303
2,501,193	A *	3/1950	Schulte	422/303
D176,310	S *	12/1955	Schulz et al.	D24/217
4,544,529	A *	10/1985	Hoeck	422/303
4,740,706	A *	4/1988	Murdock, III	422/24
D296,239	S *	6/1988	David	D24/217
D305,261	S *	12/1989	Hobbs	D24/217
5,166,528	A *	11/1992	Le Vay	422/24
5,213,776	A *	5/1993	Maniero et al.	422/303
D365,882	S *	1/1996	Allegre	D24/217
6,987,273	B1 *	1/2006	Okuda et al.	422/24

* cited by examiner

Primary Examiner—Robert A. Delehanty

Assistant Examiner—Mark Cavanna

(74) *Attorney, Agent, or Firm*—Christa Hildebrand; Norris
McLaughlin & Marcus, PA

(57) **CLAIM**

The ornamental design for a sterilizer, as shown and
described.

DESCRIPTION

FIG. 1 is a front perspective view of my sterilizer;

FIG. 2 is a plan view of the top thereof;

FIG. 3 is a plan view of a first side thereof;

FIG. 4 is a plan view of a second side thereof;

FIG. 5 is a plan view of a third side thereof;

FIG. 6 is a plan view of a fourth side thereof;

FIG. 7 is a plan view of the bottom thereof;

FIG. 8 is a front perspective view of a second embodiment
thereof.

FIG. 9 is a plan view of a the top of a second embodiment
thereof;

FIG. 10 is a plan view of a first side of a second embodiment
thereof;

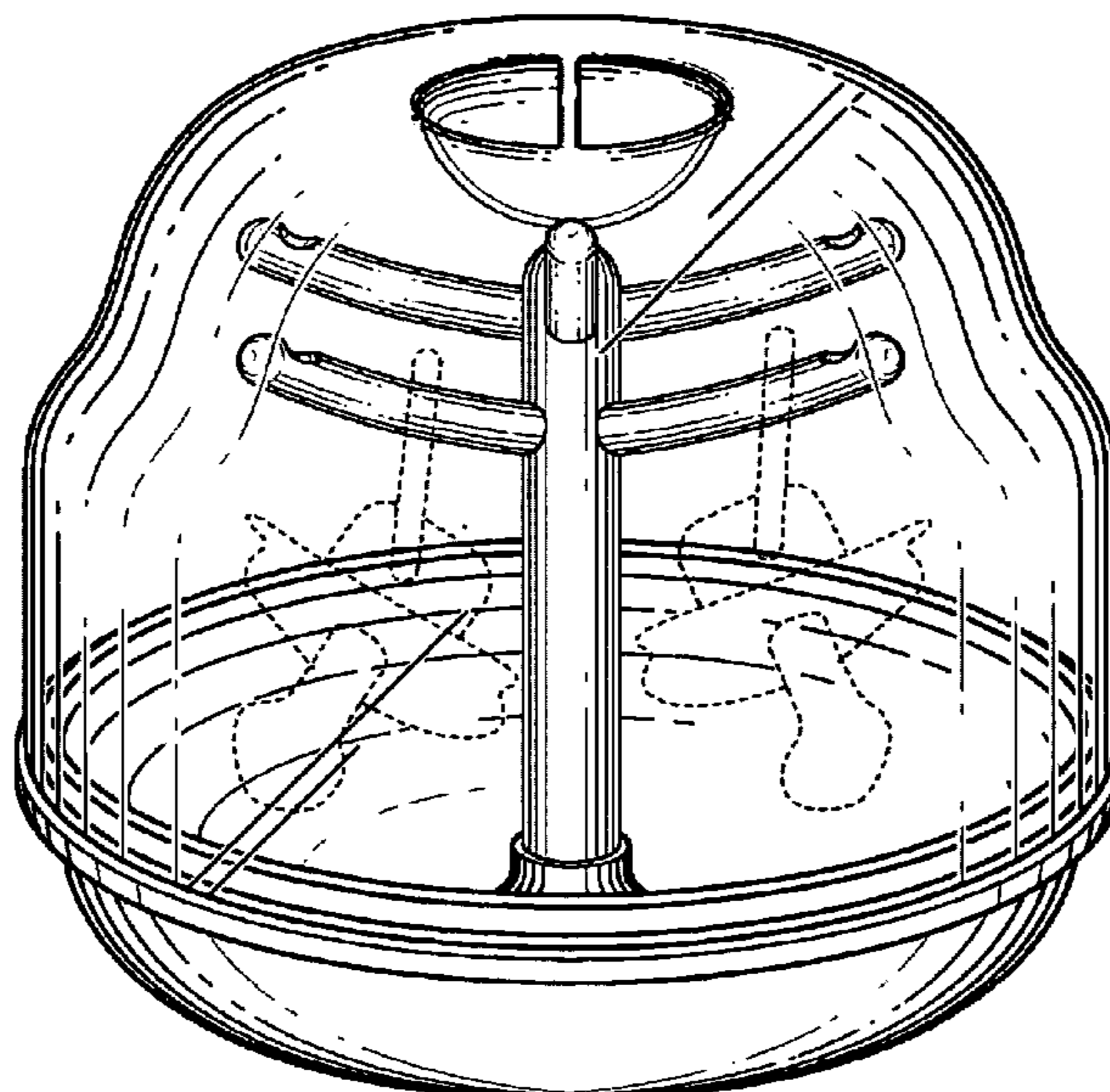
FIG. 11 is a plan view of a second side of a second
embodiment thereof;

FIG. 12 is a plan view of a third side of a second embodi-
ment thereof;

FIG. 13 is a plan view of a fourth side of a second
embodiment thereof; and,

FIG. 14 is a plan view of the bottom of a second embodiment
thereof.

1 Claim, 8 Drawing Sheets



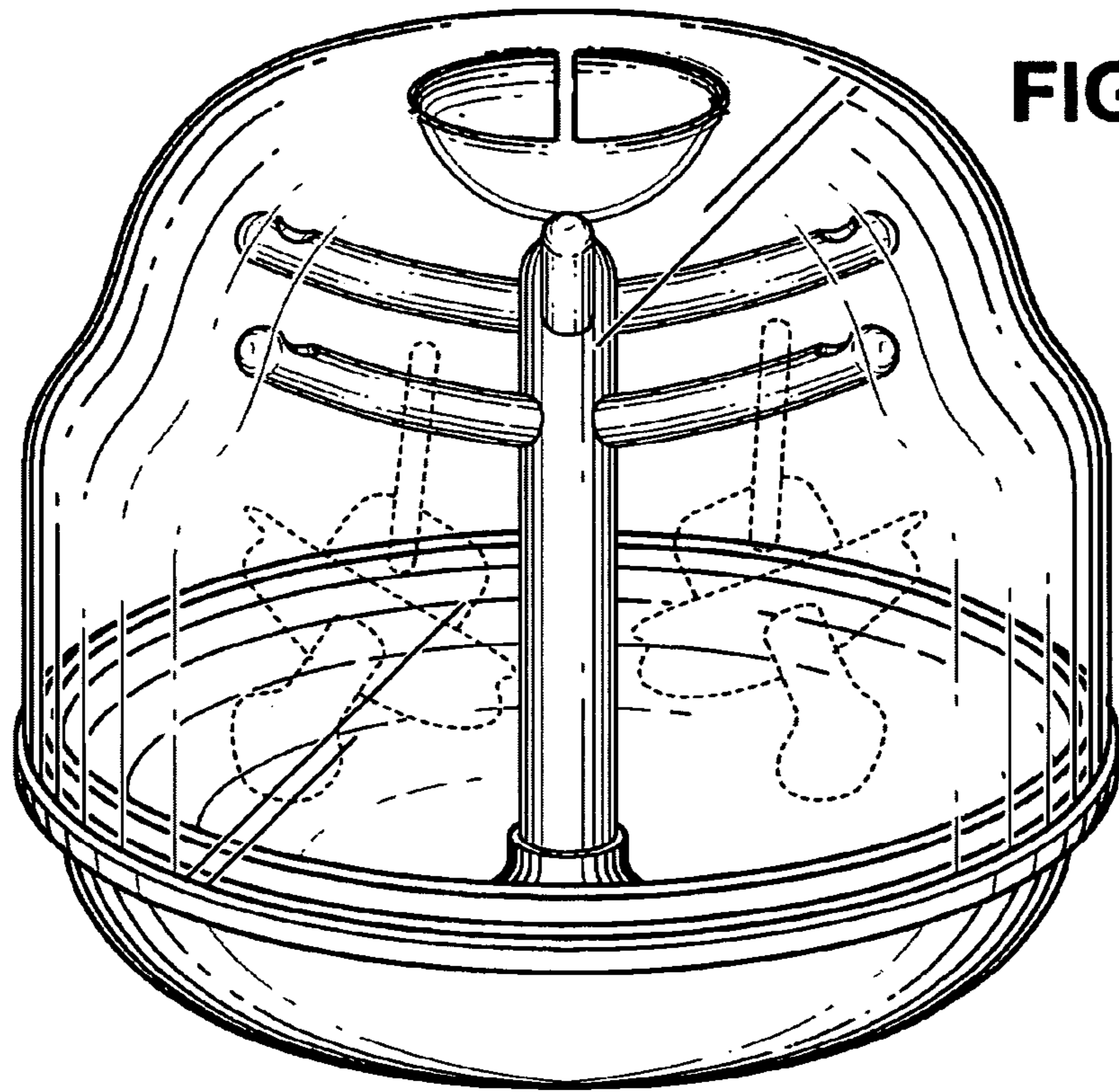


FIG. 1

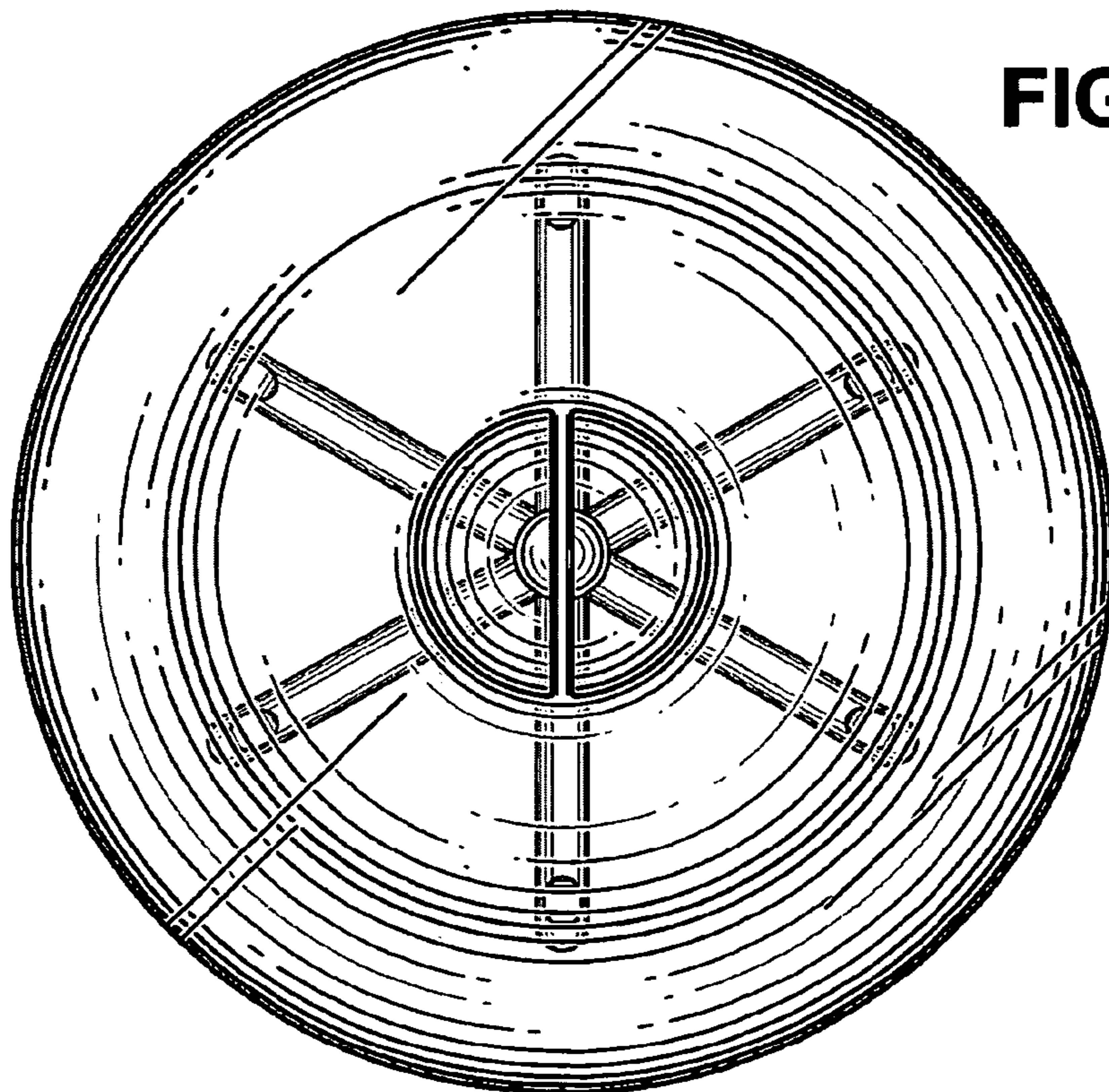


FIG. 2

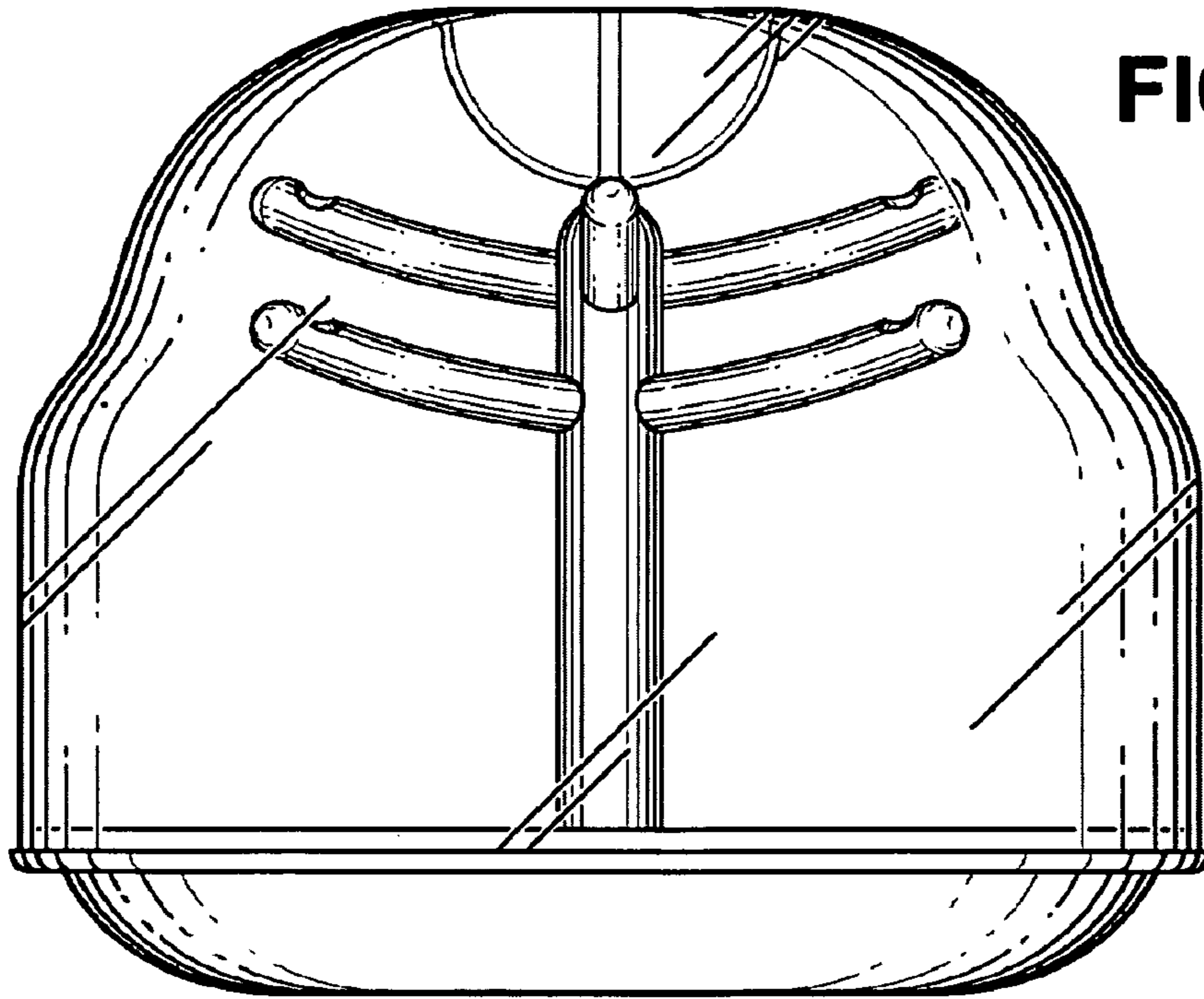


FIG. 3

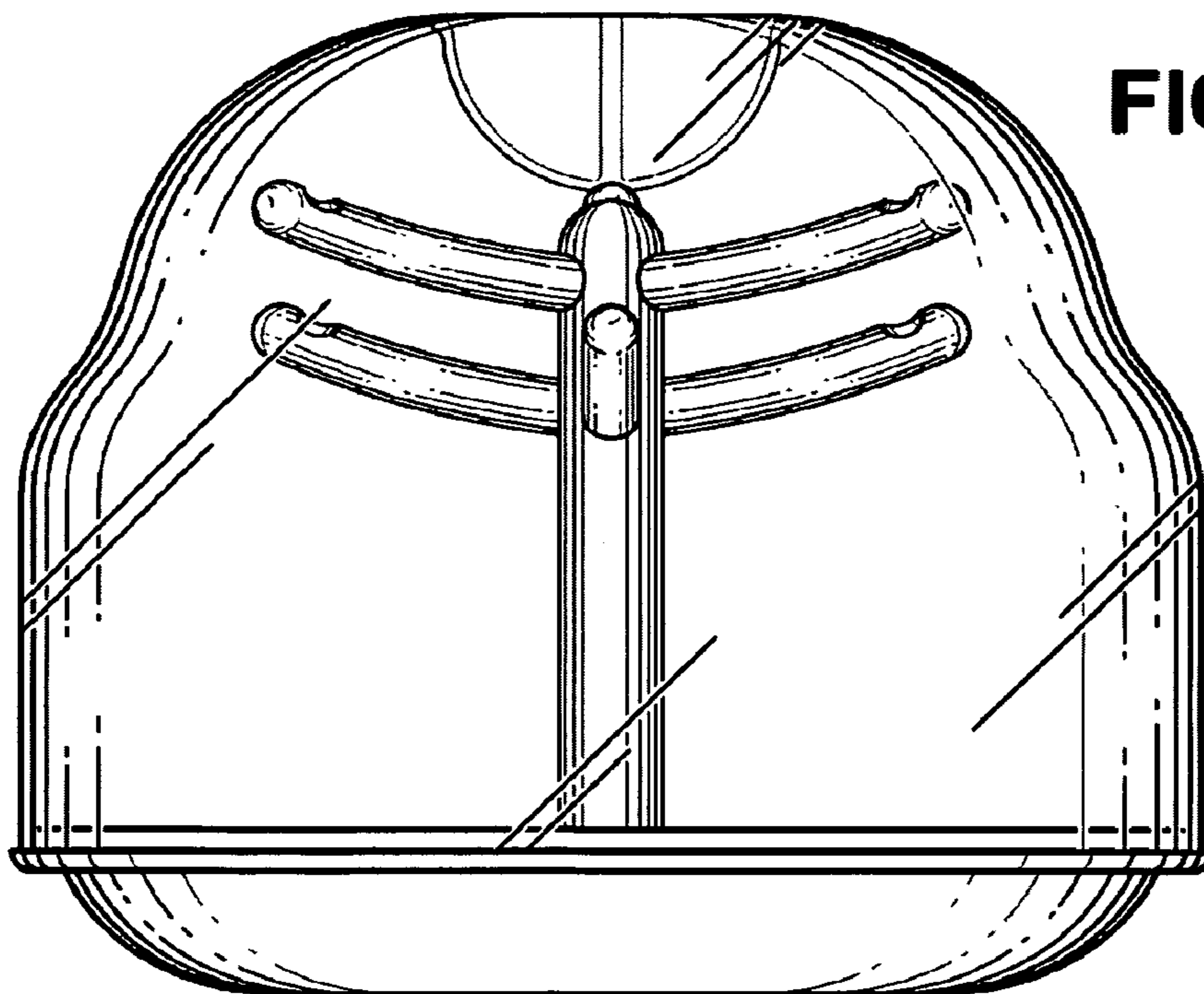


FIG. 4

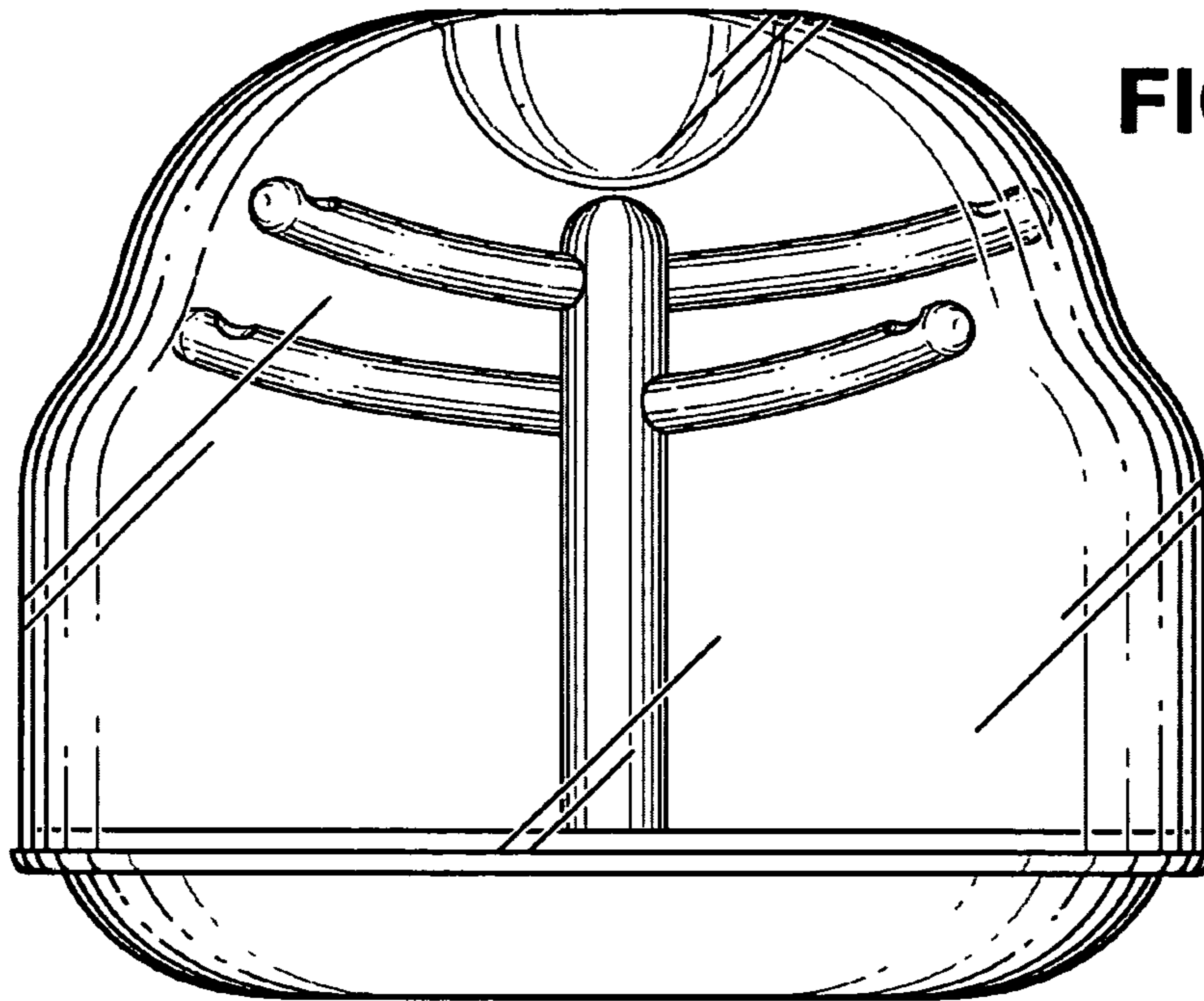


FIG. 5

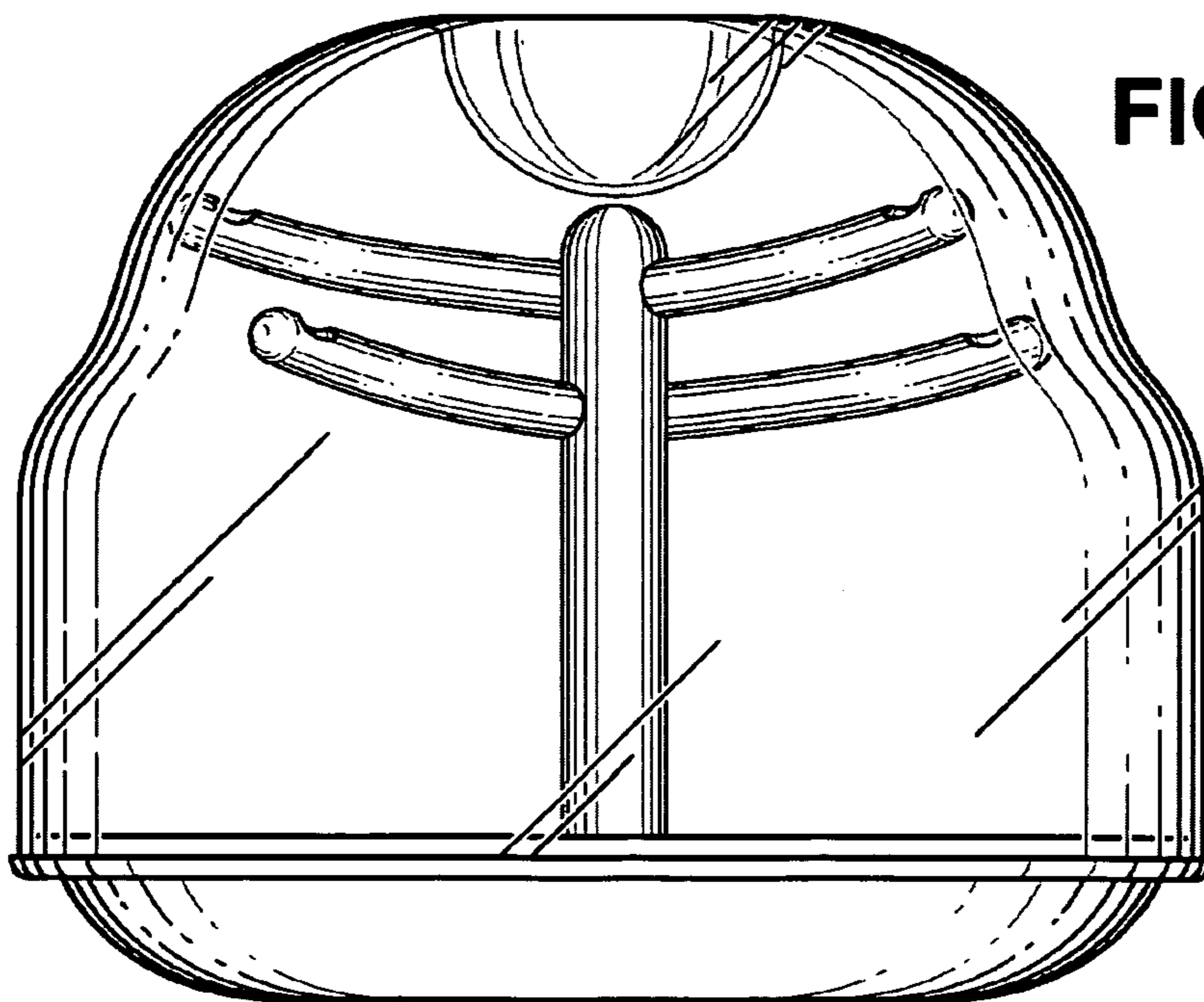
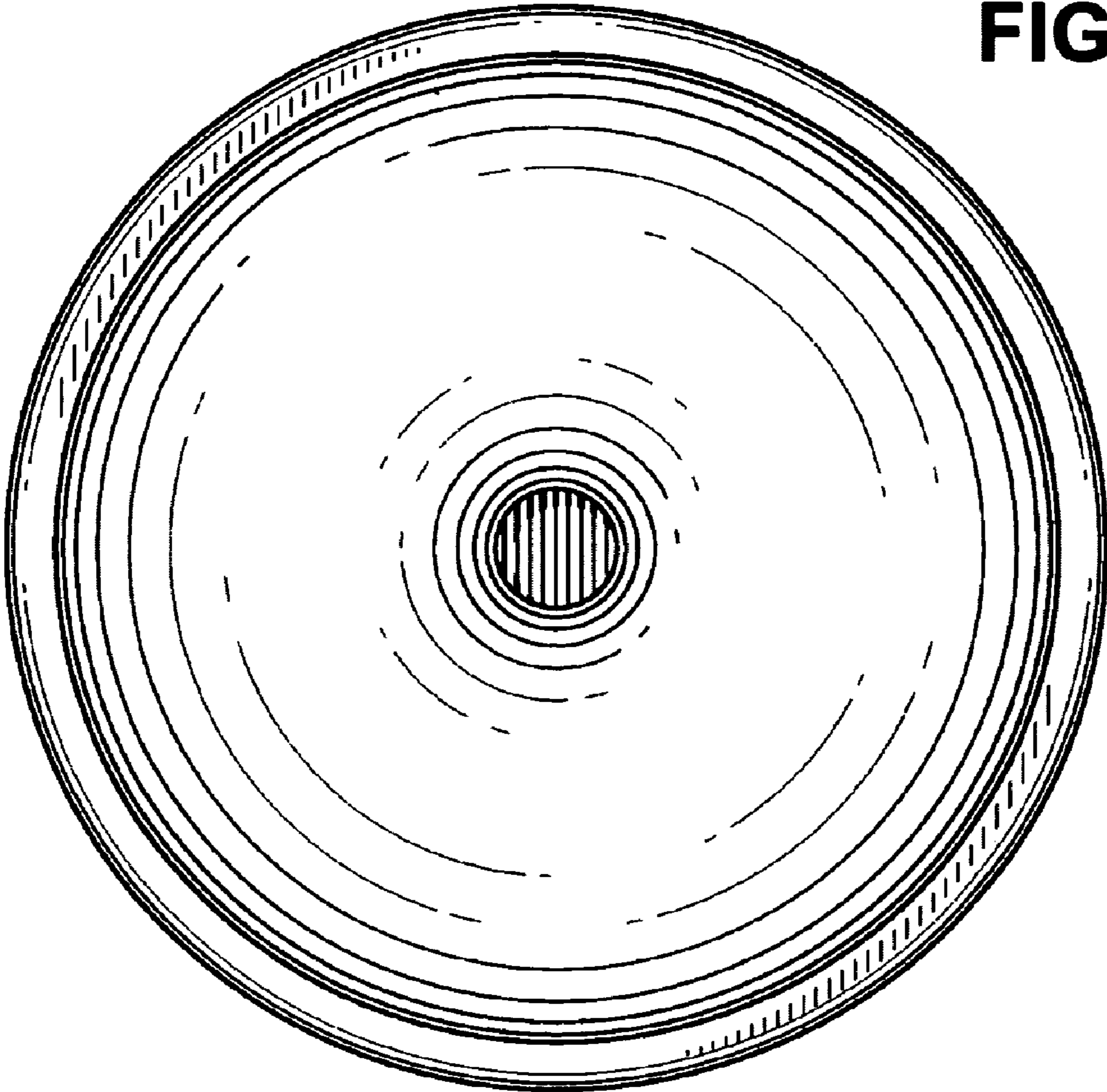


FIG. 6

FIG. 7



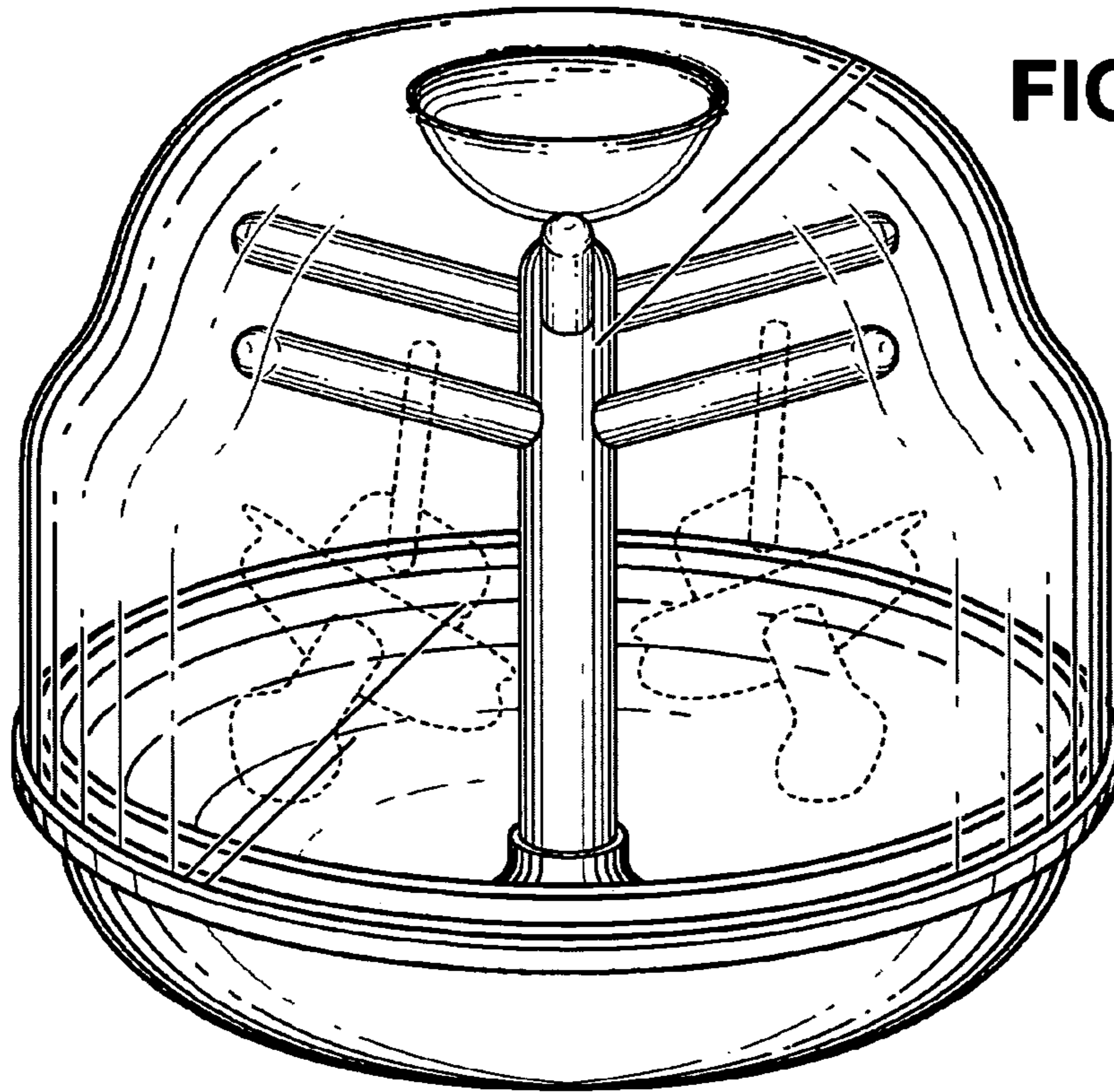


FIG. 8

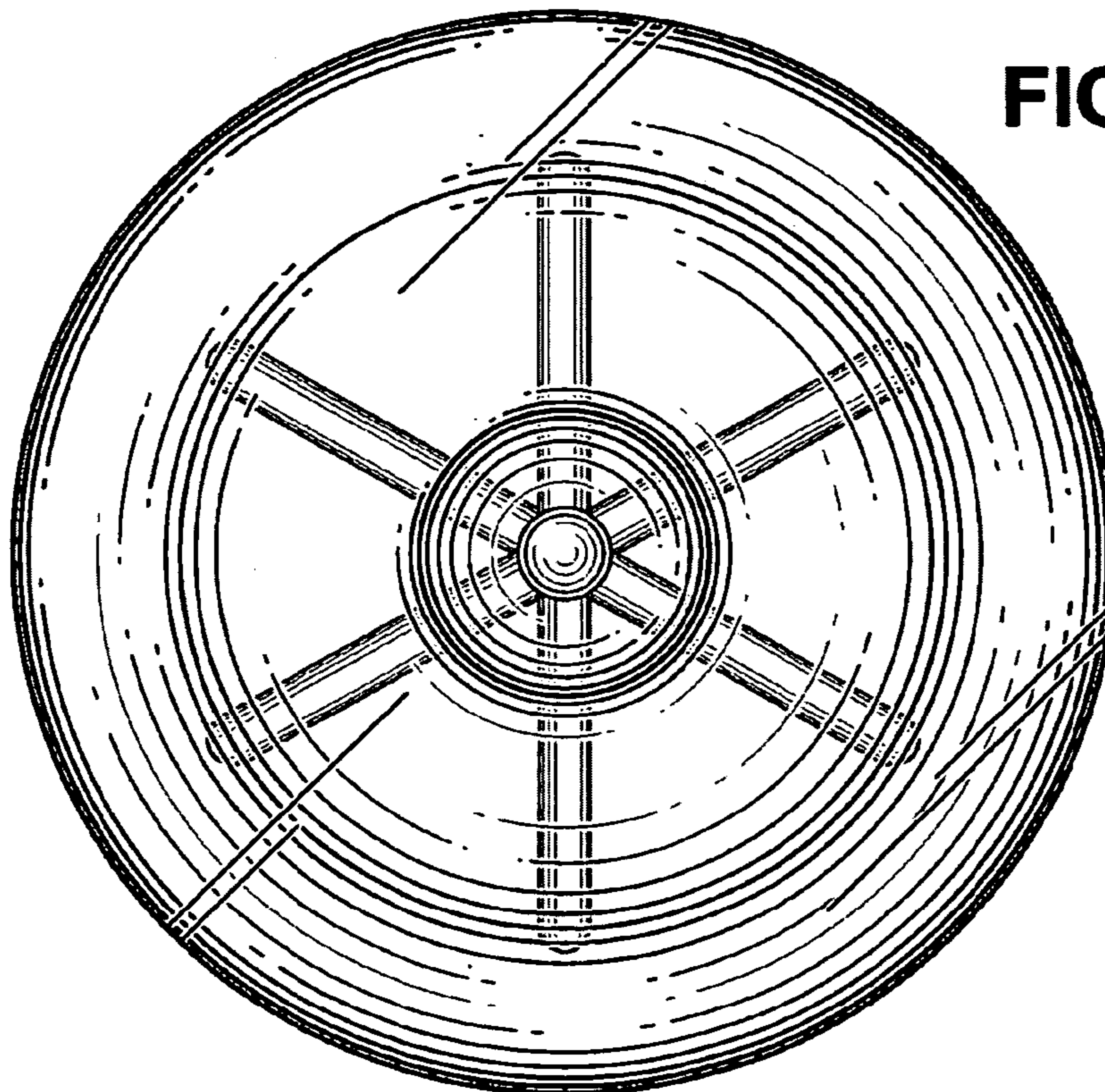


FIG. 9

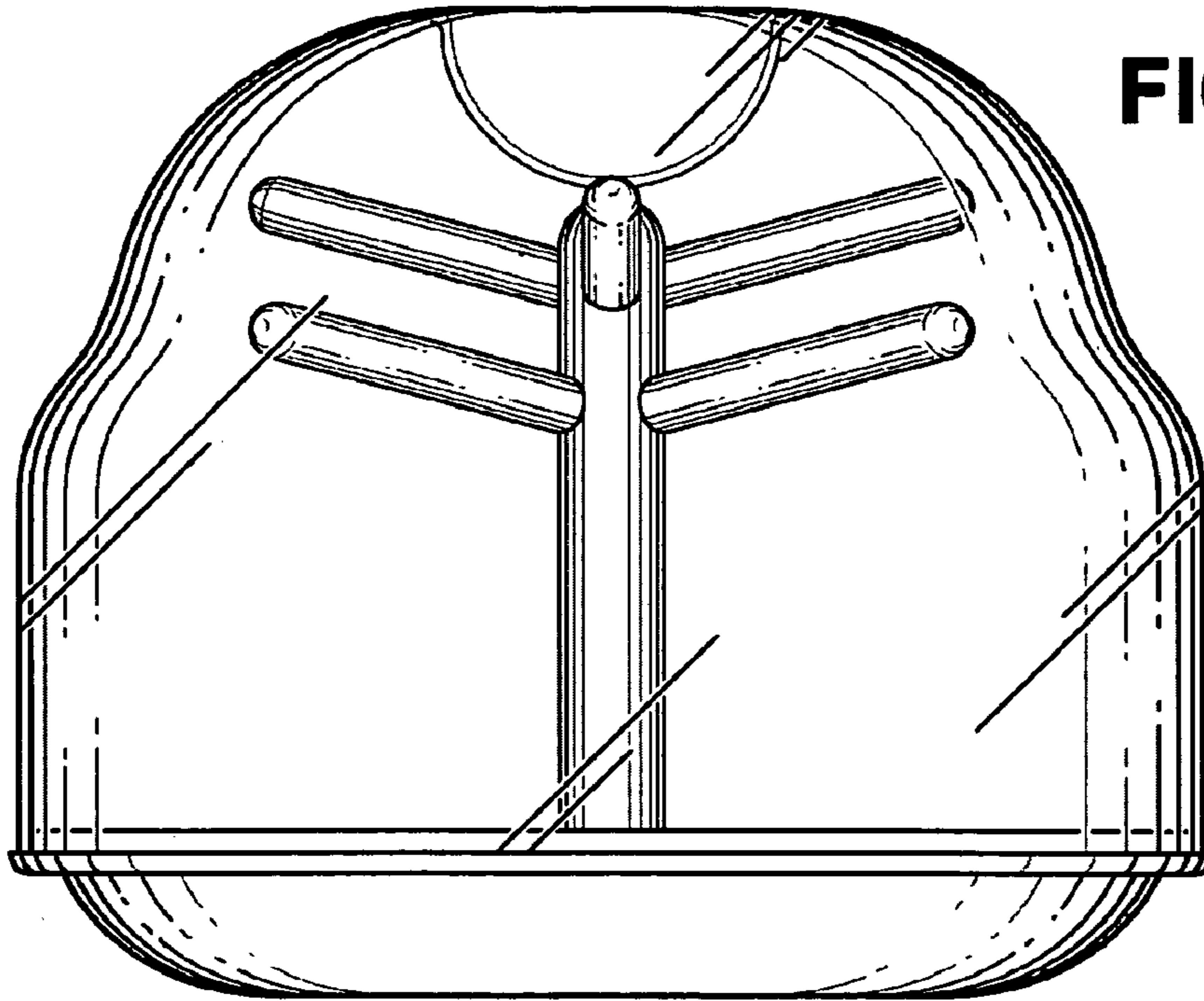


FIG. 10

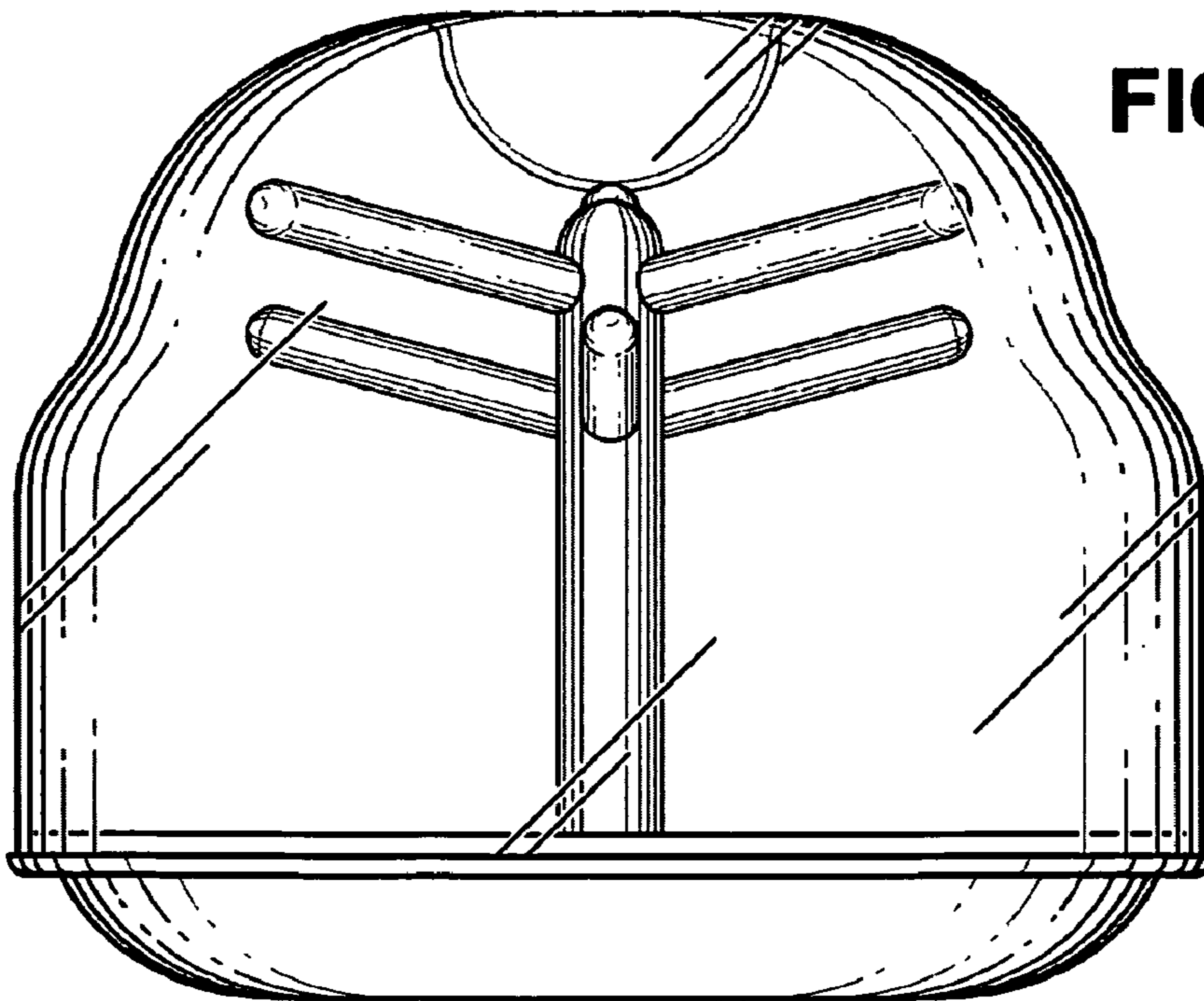


FIG. 11

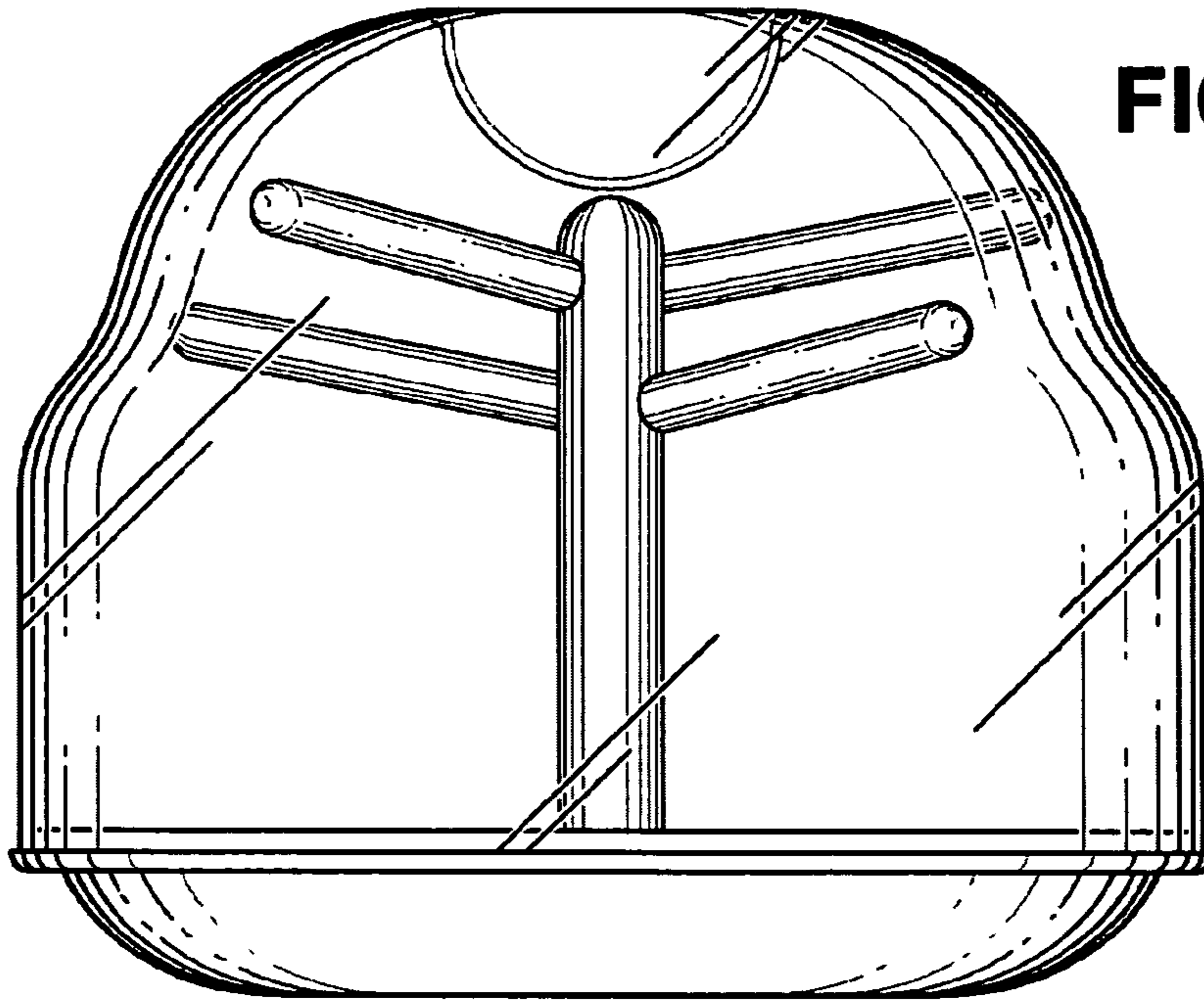


FIG. 12

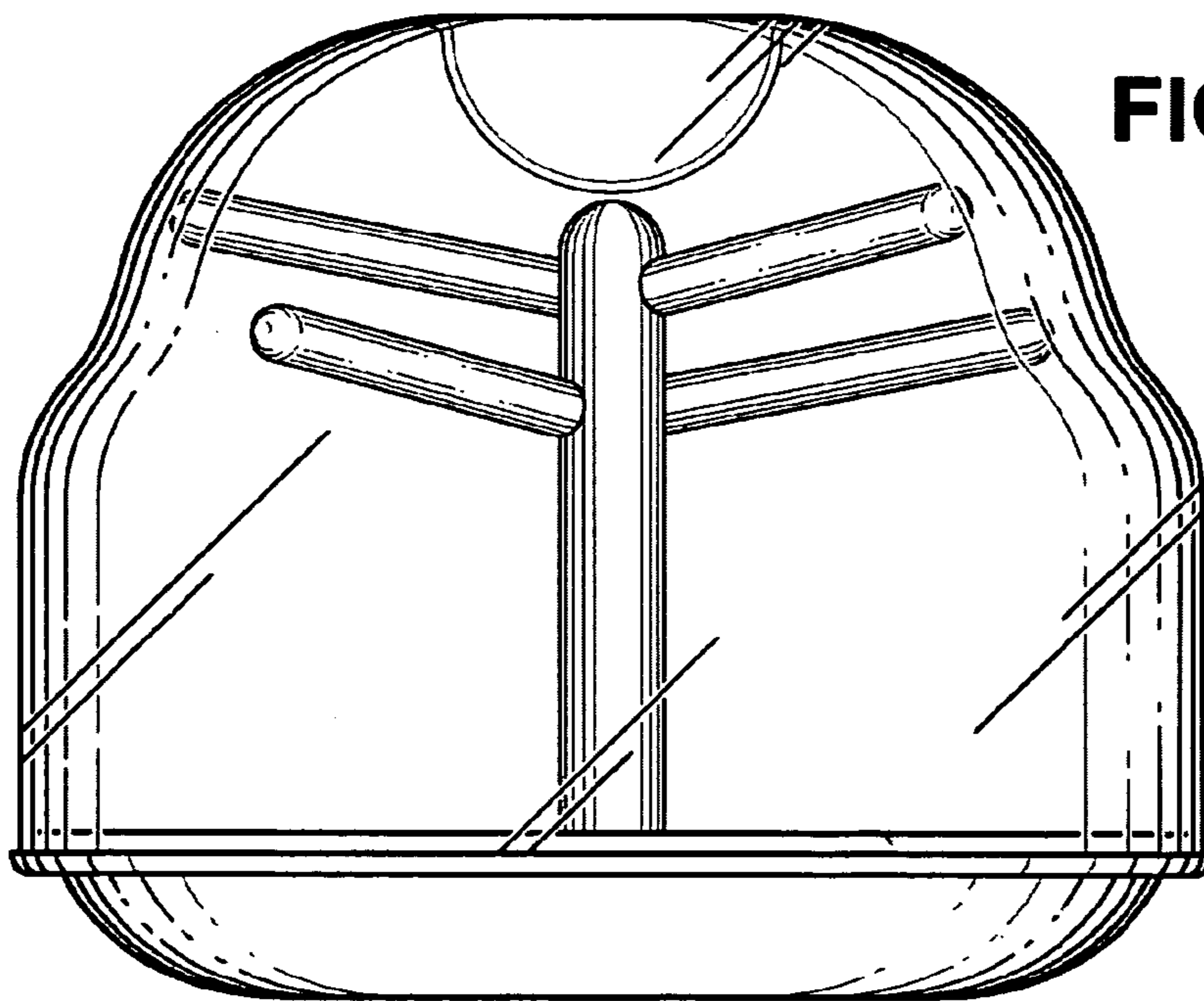


FIG. 13

FIG. 14

