



US00D554759S

(12) **United States Design Patent**
Barker

(10) **Patent No.:** **US D554,759 S**

(45) **Date of Patent:** **** Nov. 6, 2007**

(54) **MODULAR MEDICAL DEVICE MONITOR AND HOLDER**

D461,891 S * 8/2002 Moberg D24/111
D516,026 S * 2/2006 Barrett et al. D24/186

(76) Inventor: **Nicholas Barker**, 14 Philips Pkwy.,
Montvale, NJ (US) 07645

* cited by examiner

(**) Term: **14 Years**

Primary Examiner—Louis Zarfaz
Assistant Examiner—Mark Cavanna
(74) *Attorney, Agent, or Firm*—J. Gary Mohr

(21) Appl. No.: **29/208,881**

(57) **CLAIM**

(22) Filed: **Jul. 7, 2004**

The ornamental design for modular medical device monitor and holder, as shown and described.

(51) **LOC (8) Cl.** **24-01**

(52) **U.S. Cl.** **D24/186**

(58) **Field of Classification Search** D24/185,
D24/133, 186; D14/218; D10/78; 128/915-916;
601/1-2

DESCRIPTION

See application file for complete search history.

FIG. 1 is a front view of the modular medical device monitor and holder showing my new design;
FIG. 2 is a top view thereof;
FIG. 3 is a right side view of thereof;
FIG. 4 is an exploded prospective view thereof; and,
FIG. 5 is a front prospective thereof.

(56) **References Cited**

U.S. PATENT DOCUMENTS

5,376,070 A * 12/1994 Purvis et al. 604/31
5,871,465 A * 2/1999 Vasko 604/65
D446,854 S * 8/2001 Cheney et al. D24/111

1 Claim, 2 Drawing Sheets

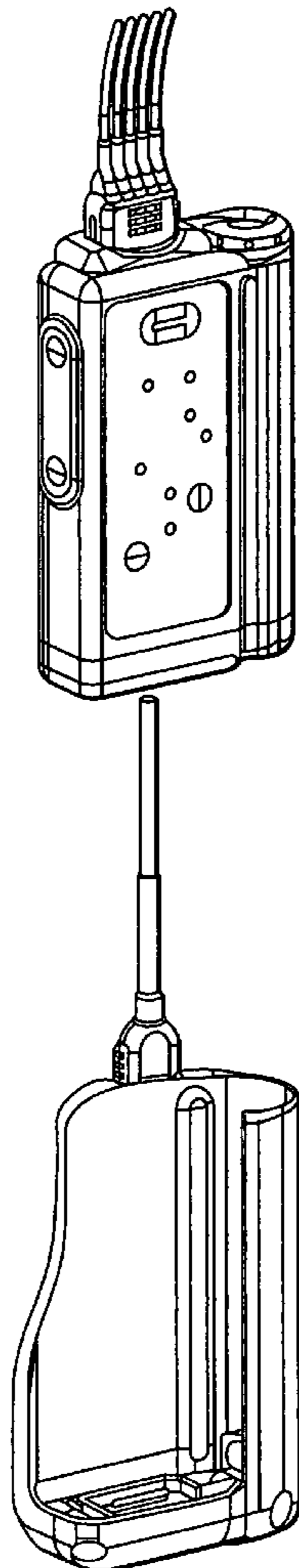


FIG. 2

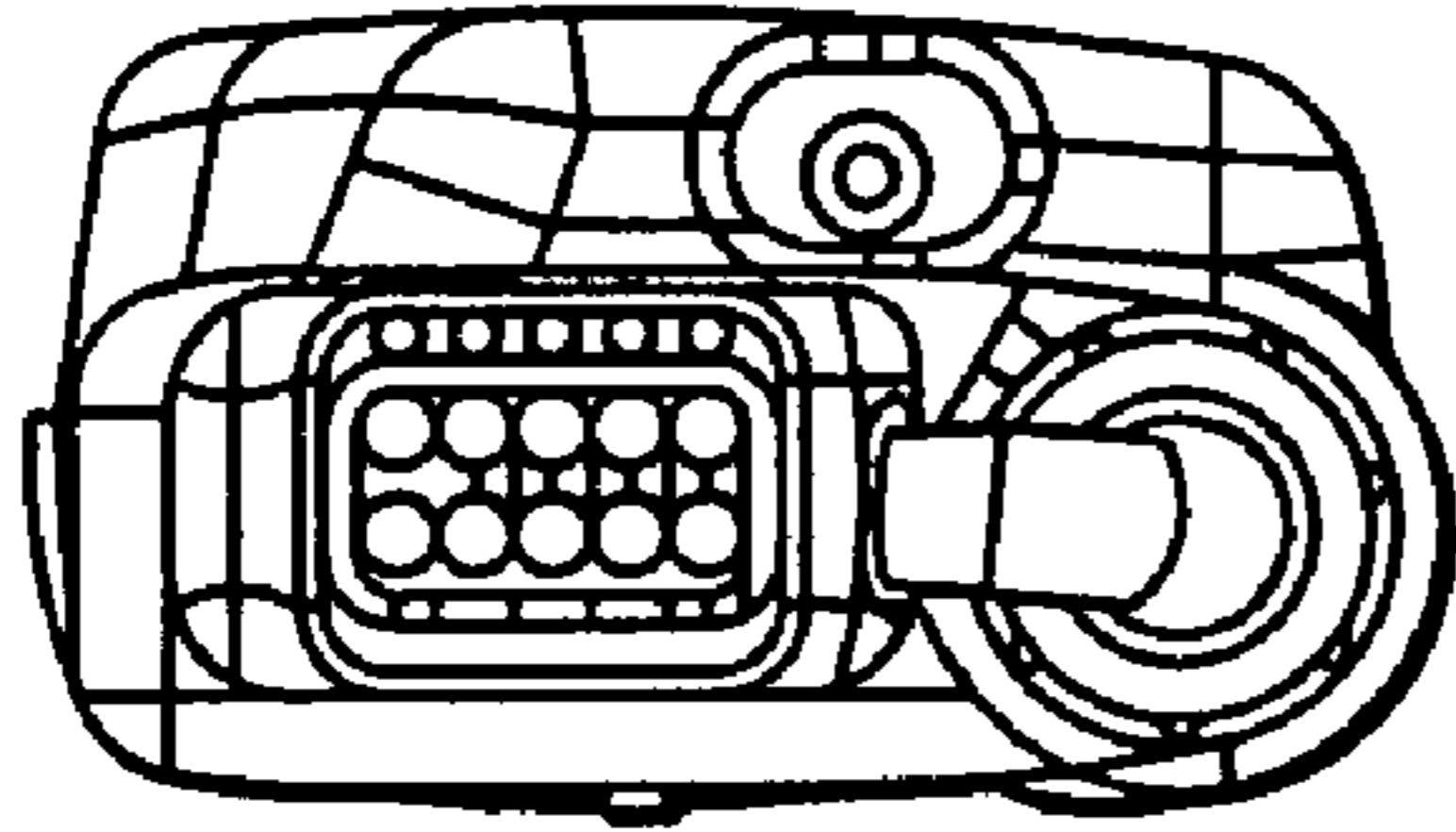


FIG. 1

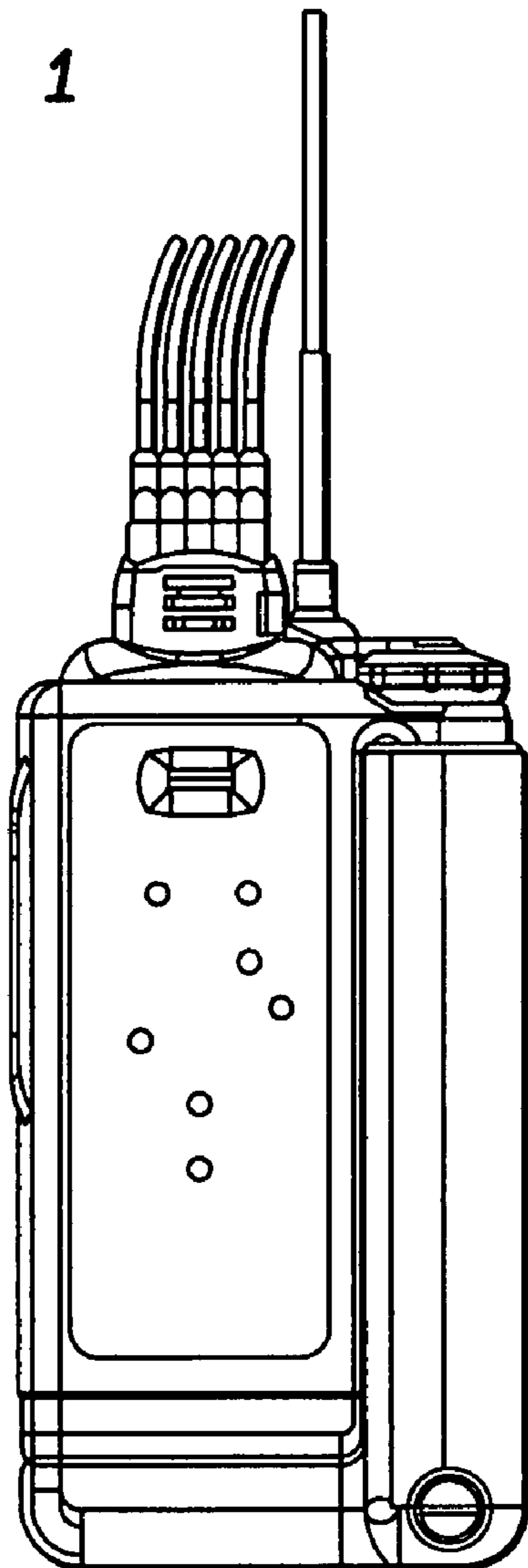


FIG. 3

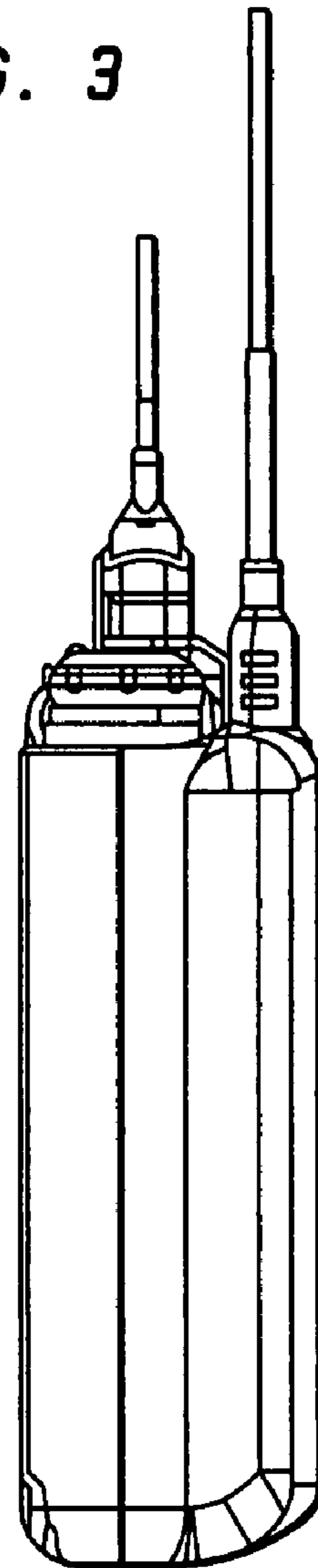


FIG. 4

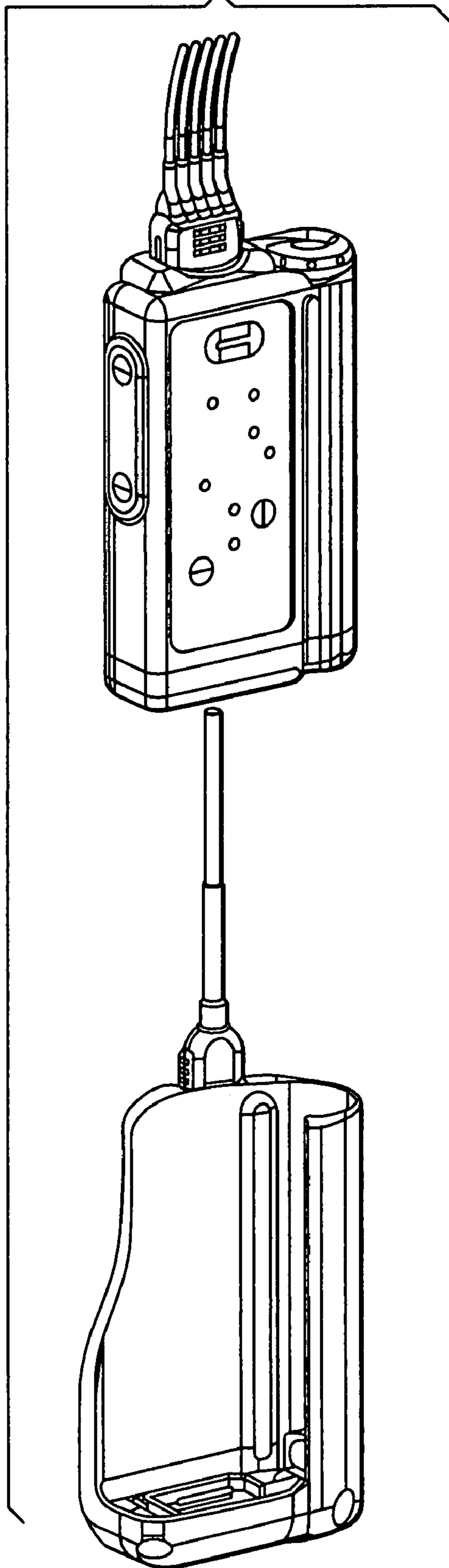


FIG. 5

