



US00D554756S

(12) **United States Design Patent** (10) **Patent No.:** **US D554,756 S**
Sjursen et al. (45) **Date of Patent:** **** Nov. 6, 2007**

(54) **HEARING AID**

WO WO 03/096745 A1 11/2003
WO WO 2005/006715 A2 1/2005

(75) Inventors: **Walter P. Sjursen**, Washington Crossing, PA (US); **Michael DeSalvo**, Princeton, NJ (US); **Hassan A. Mohamed**, Bayonne, NJ (US); **Paul J. Mulhauser**, New York, NY (US); **Karl D. Kirk, III**, New York, NY (US)

* cited by examiner

Primary Examiner—Doris Clark
Assistant Examiner—Anhdao Doan

(73) Assignee: **Songbird Hearing, Inc.**, New Brunswick, NJ (US)

(74) *Attorney, Agent, or Firm*—Hamilton, Brook, Smith & Reynolds, P.C.

(**) Term: **14 Years**

(57) **CLAIM**

(21) Appl. No.: **29/253,043**

The ornamental design for a hearing aid, as shown and described.

(22) Filed: **Jan. 30, 2006**

(51) **LOC (8) Cl.** **24-99**

DESCRIPTION

(52) **U.S. Cl.** **D24/174**

(58) **Field of Classification Search** D24/173,
D24/174; D14/205, 223; 381/23.1, 312,
381/322–330, 380–382; 181/129, 130, 134,
181/135, 137

The article is a hearing aid. It is intended to be worn in the ear to compensate for impaired hearing.

See application file for complete search history.

FIG. 1 is a perspective view showing front, left and top sides of the hearing aid of the present design;

(56) **References Cited**

U.S. PATENT DOCUMENTS

D297,979 S *	10/1988	Voroba et al.	D24/174
D397,796 S *	9/1998	Yabe et al.	D24/174
5,881,159 A	3/1999	Aceti et al.	
D412,987 S *	8/1999	Borowsky et al.	D24/173
6,058,198 A	5/2000	Aceti et al.	
D431,294 S *	9/2000	Barnard et al.	D24/174
6,473,511 B1	10/2002	Aceti et al.	
D468,301 S *	1/2003	Fushimi	D14/223
6,567,525 B1	5/2003	Sapiejewski	
6,630,639 B2	10/2003	McSwiggen	
6,865,279 B2	3/2005	Leedom	
7,113,611 B2	9/2006	Leedom et al.	
2004/0081328 A1	4/2004	Leedom et al.	
2004/0240695 A1 *	12/2004	Leedom et al.	381/328
2005/0053251 A1 *	3/2005	King	381/322

FIG. 2 is a perspective view showing front, right and bottom sides of the hearing aid shown in FIG. 1;

FIG. 3 is a perspective view showing front, left and bottom sides of the hearing aid shown in FIG. 1;

FIG. 4 is a bottom elevational view of the hearing aid shown in FIG. 1;

FIG. 5 is a front elevational view of the hearing aid shown in FIG. 1;

FIG. 6 is a rear elevational view of the hearing aid shown in FIG. 1;

FIG. 7 is a perspective view showing front and left sides of the hearing aid shown in FIG. 1;

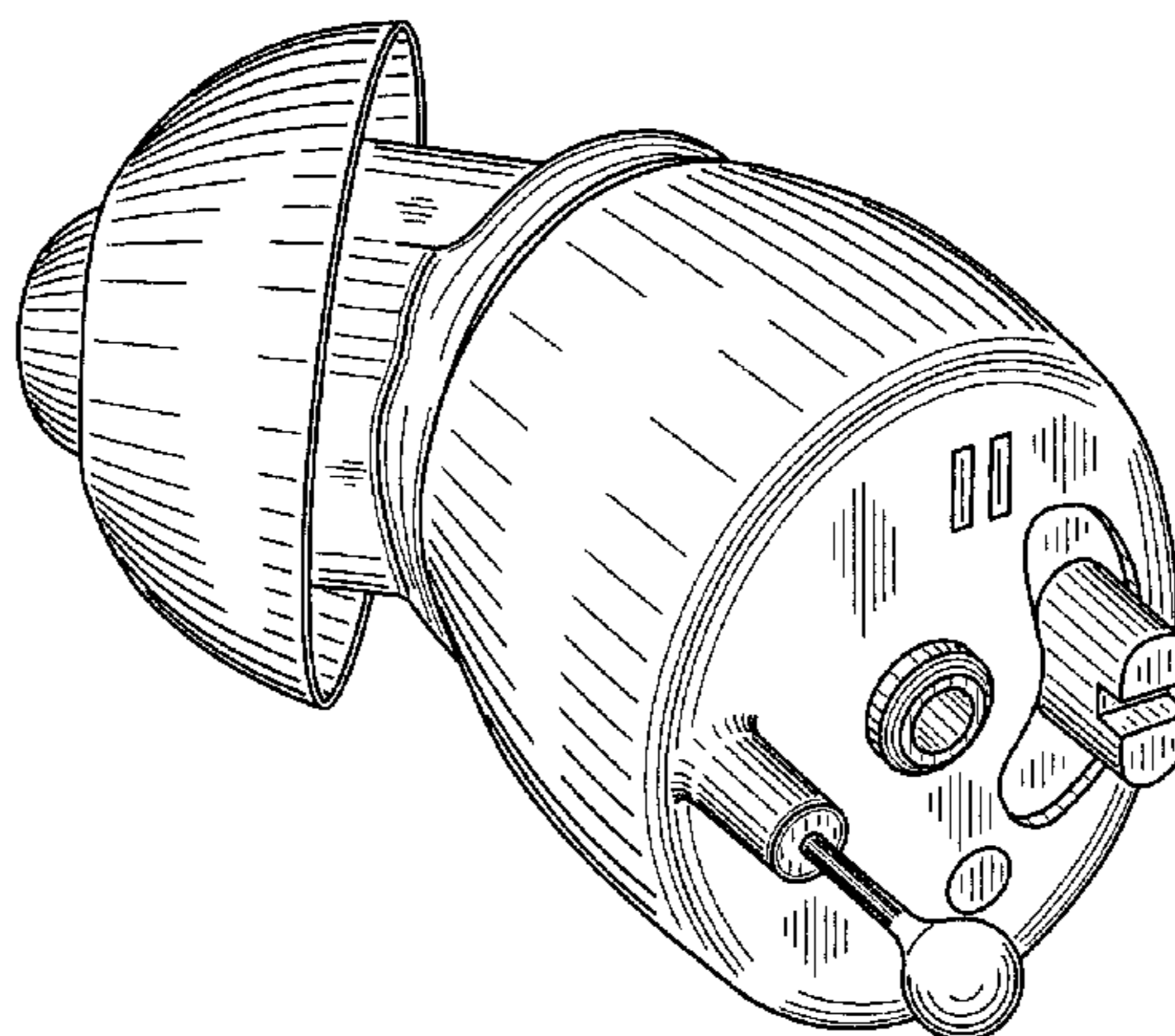
FIG. 8 is a perspective view showing rear and right sides of the hearing aid shown in FIG. 1; and,

FIG. 9 is a perspective view showing front, right and bottom sides of the hearing aid of FIG. 1.

FOREIGN PATENT DOCUMENTS

WO WO 03/047307 A2 6/2003

1 Claim, 5 Drawing Sheets



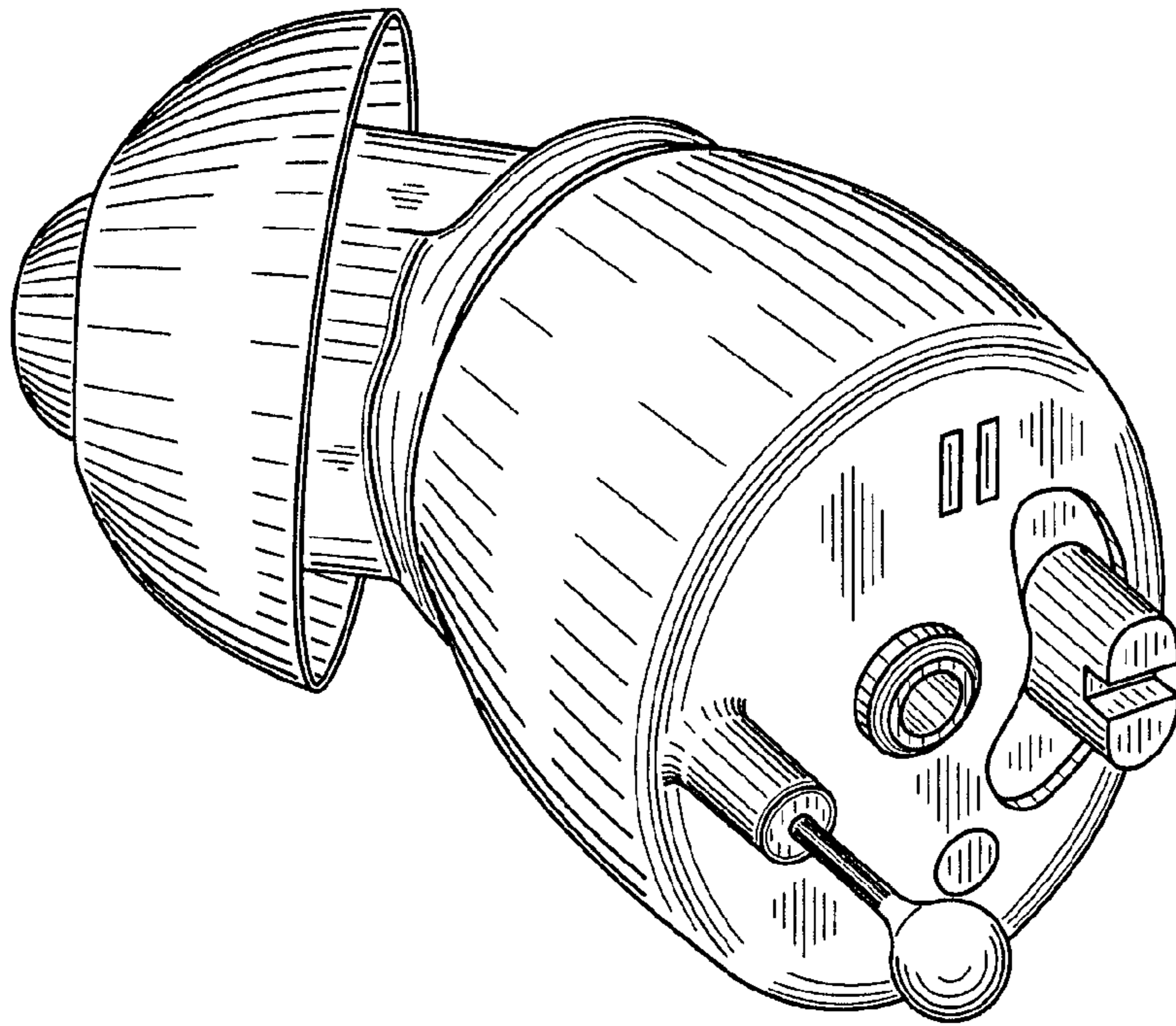


FIG. 1

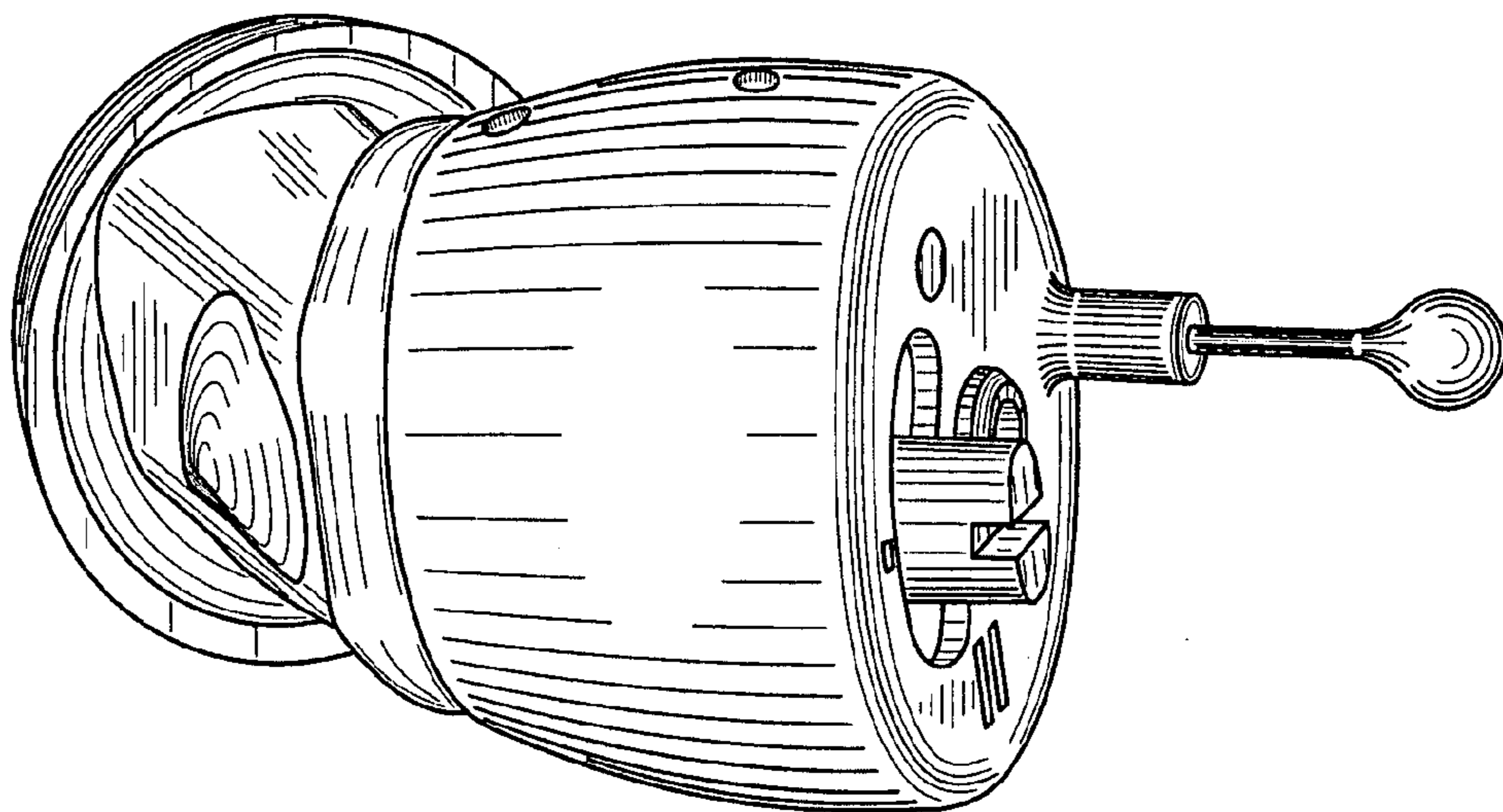


FIG. 2

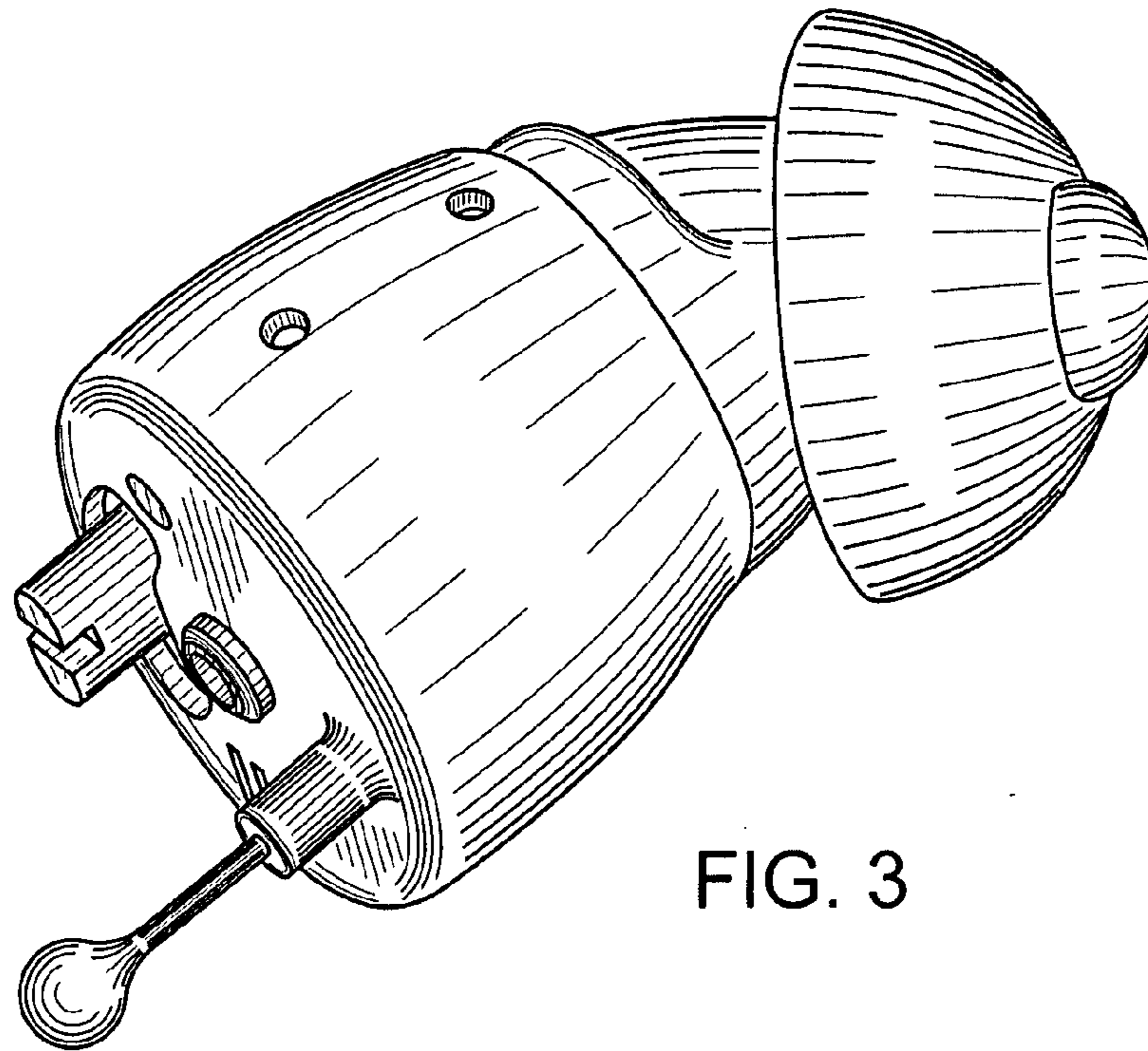


FIG. 3

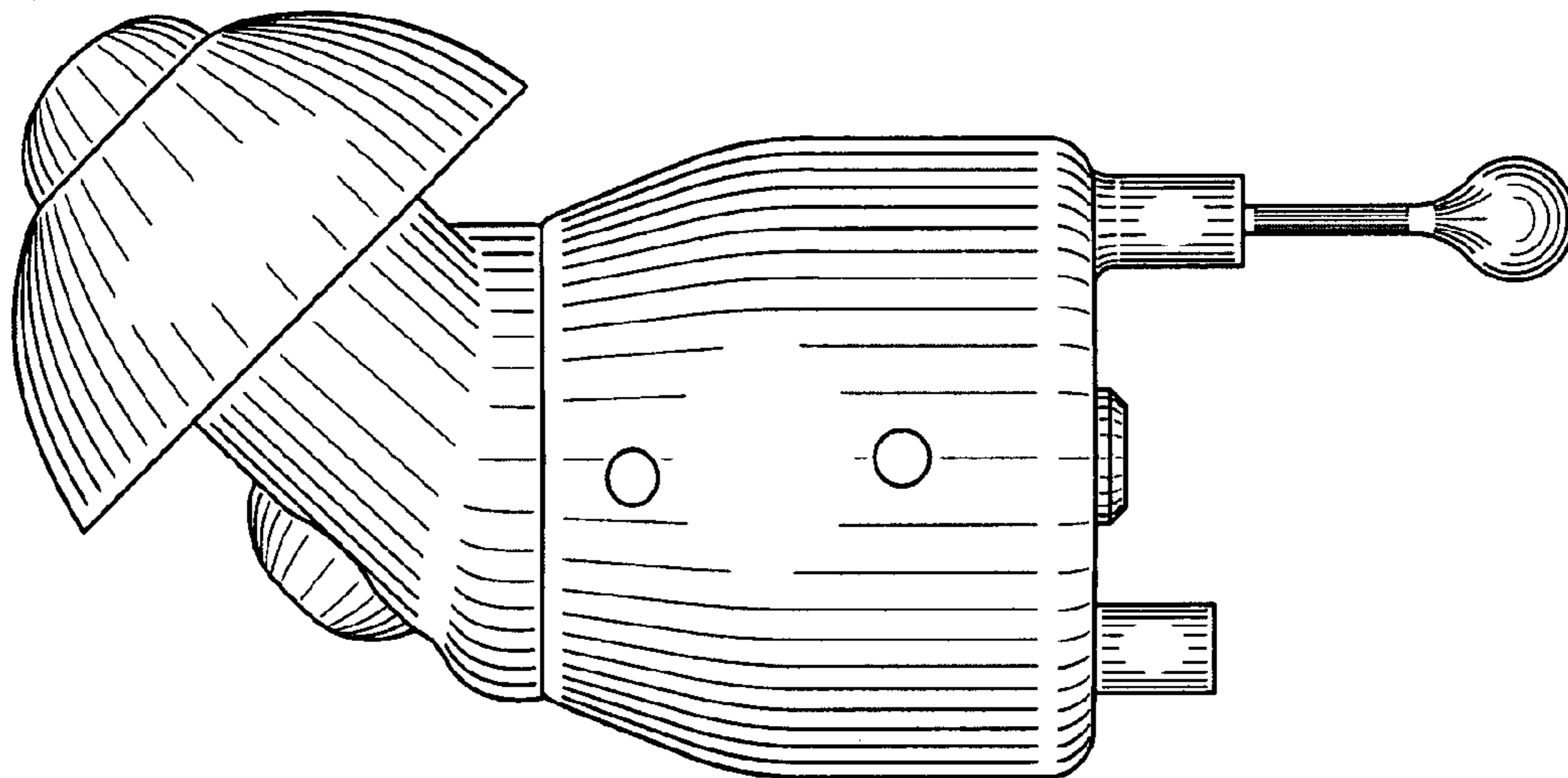


FIG. 4

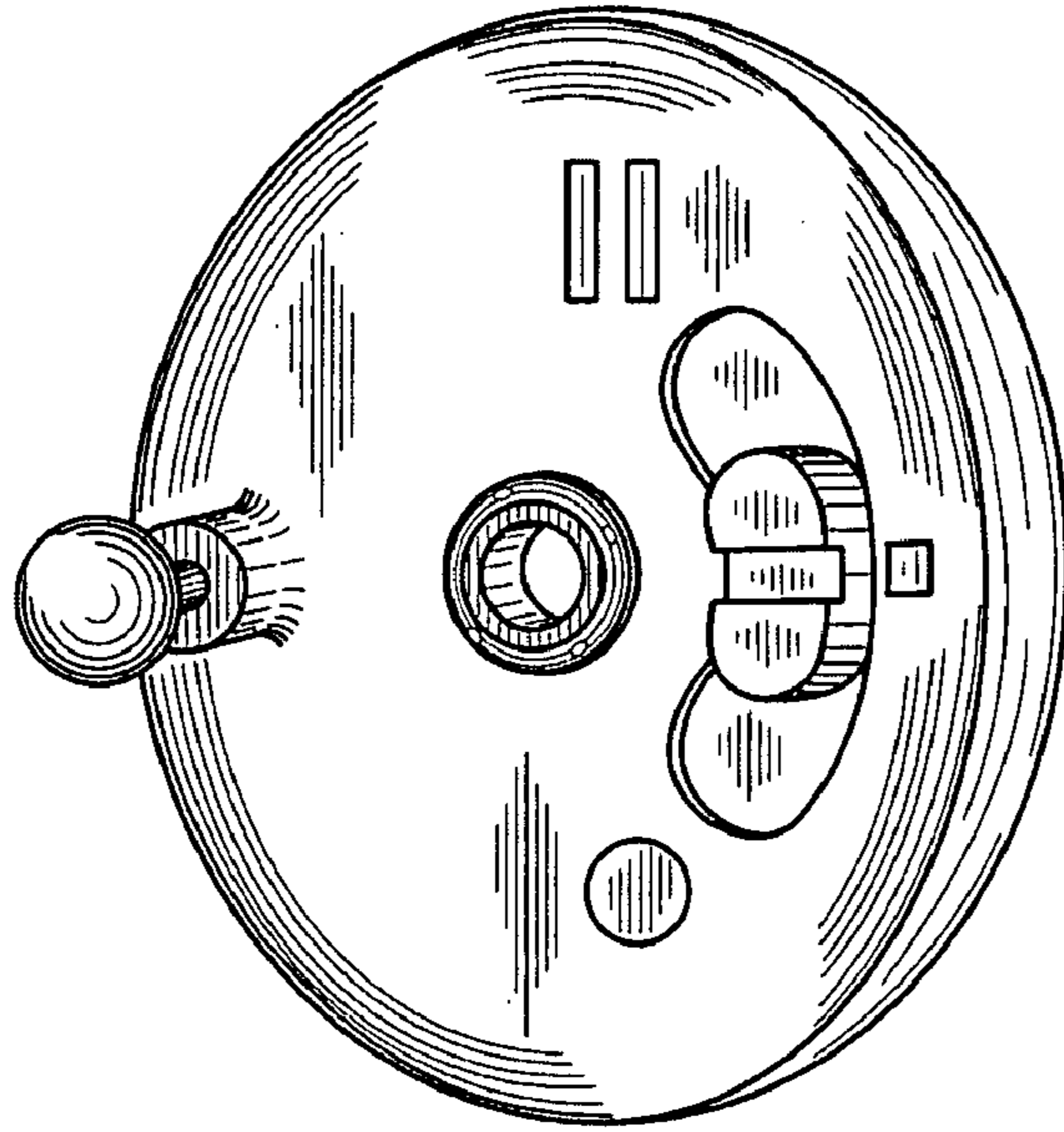


FIG. 5

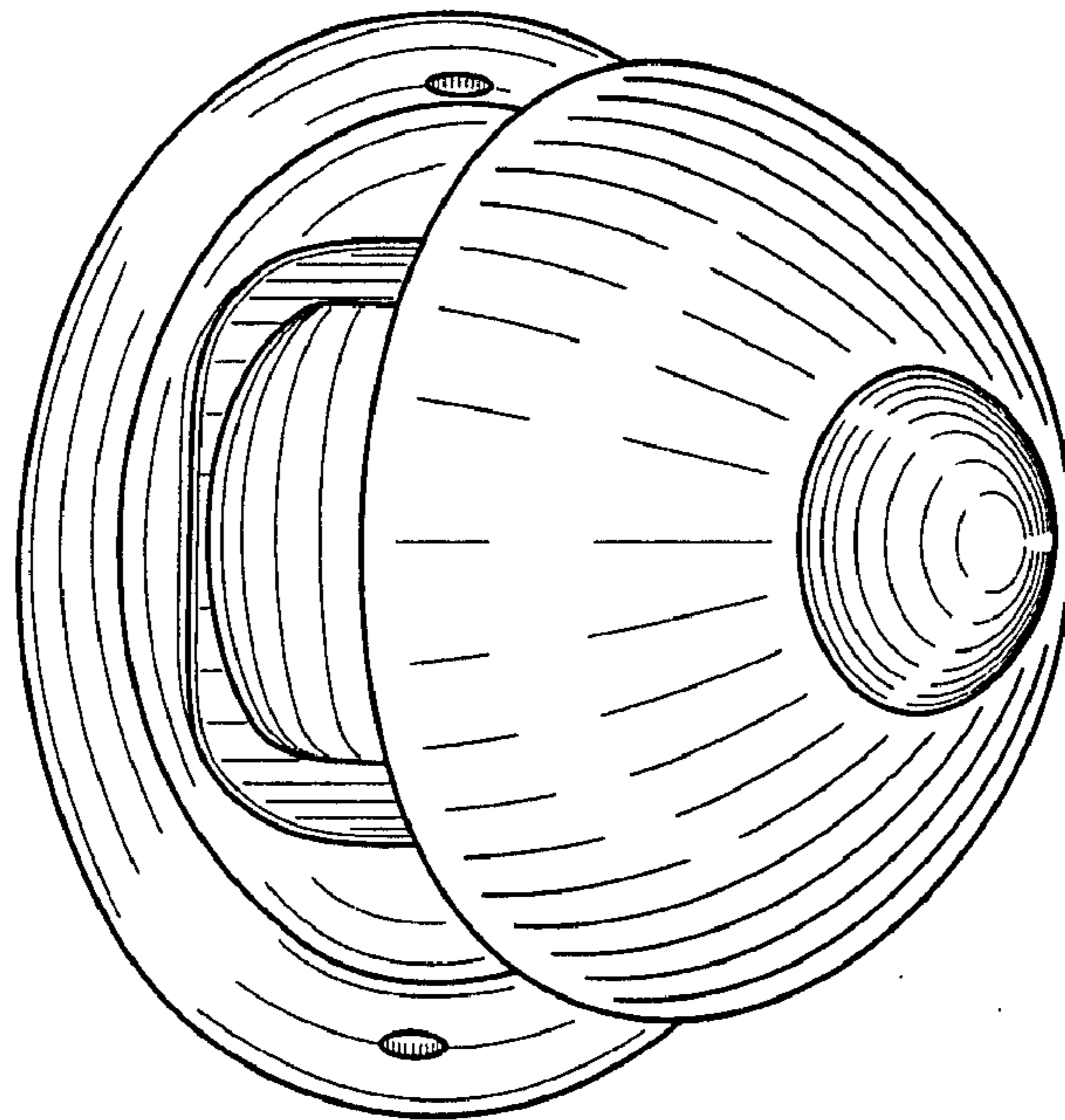


FIG. 6

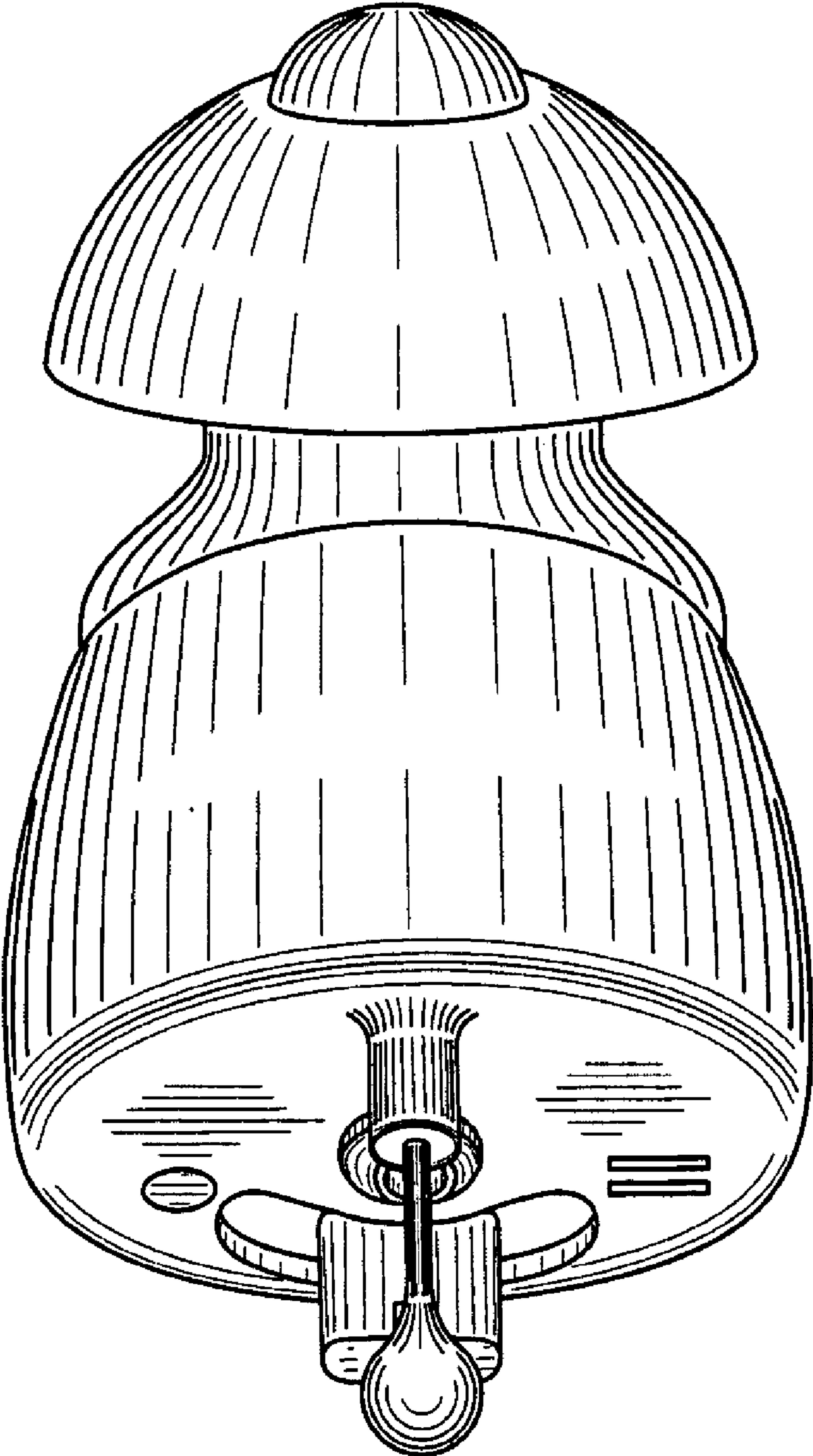


FIG. 7

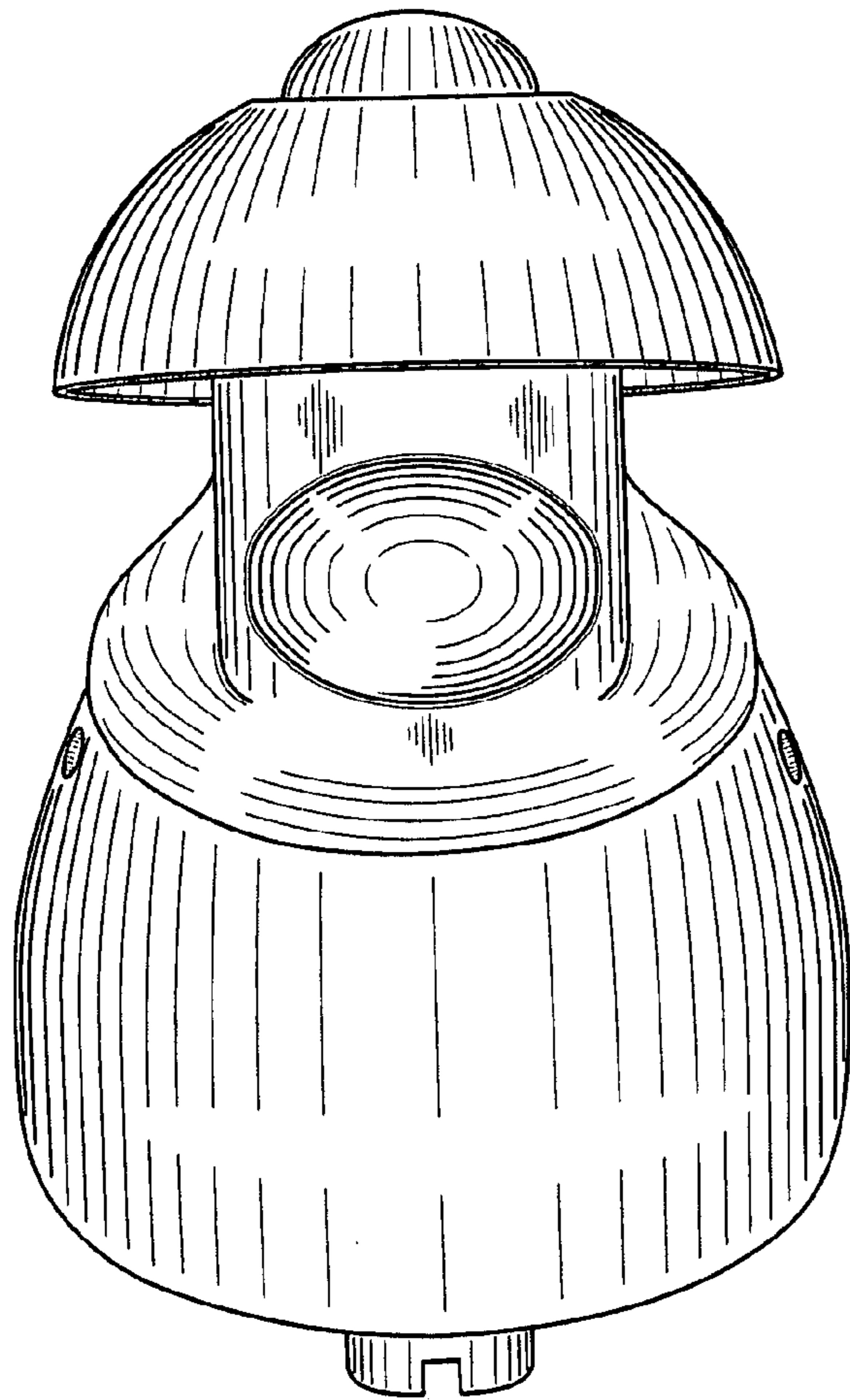


FIG. 8

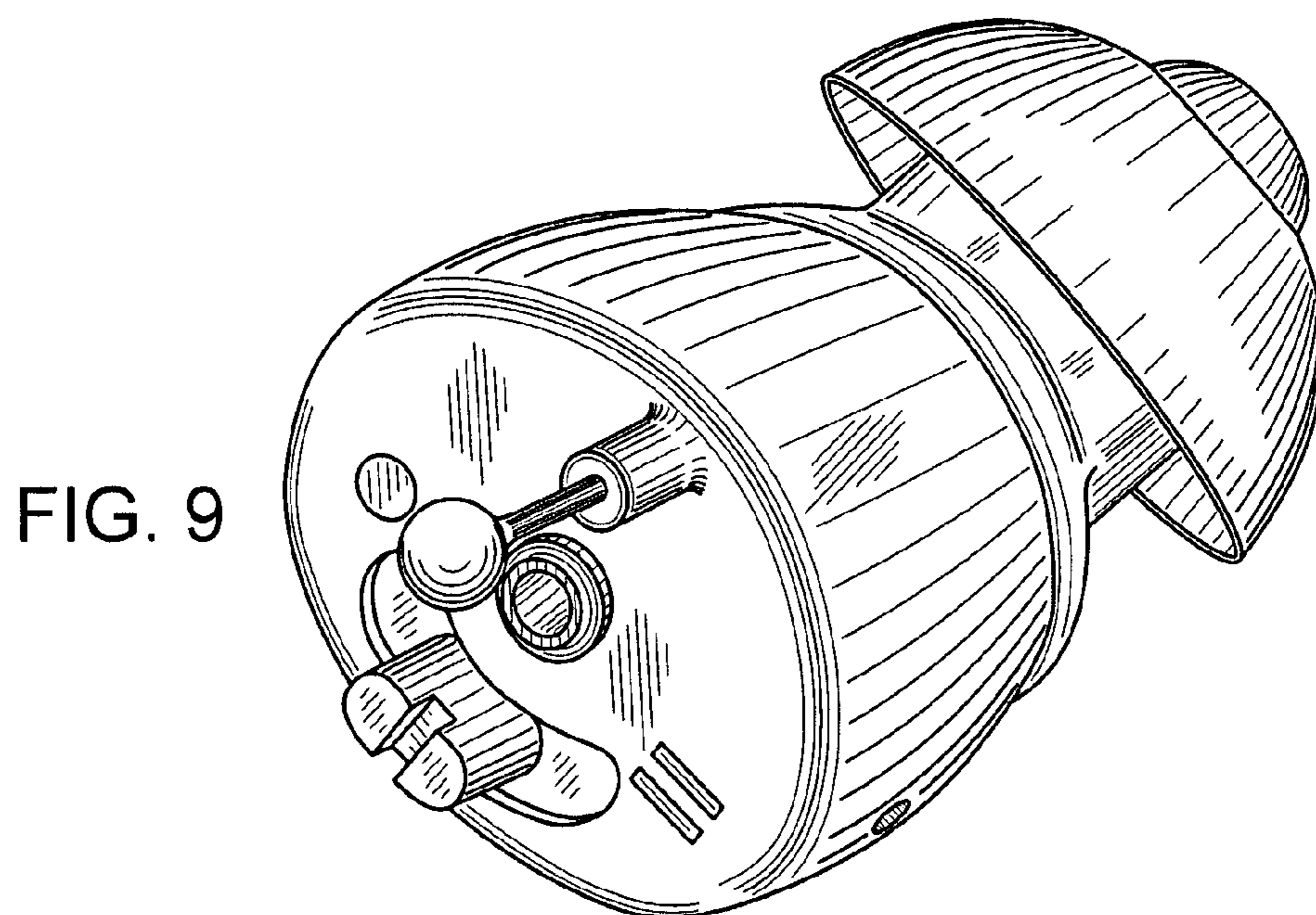


FIG. 9