



US00D554755S

(12) **United States Design Patent**
Iwasaki et al.

(10) **Patent No.:** **US D554,755 S**

(45) **Date of Patent:** **** Nov. 6, 2007**

(54) **X-RAY IMAGING APPARATUS**

(75) Inventors: **Masakatsu Iwasaki**, Sayama (JP);
Yoshimi Kasai, Kokubunji (JP);
Yoshikazu Kita, Moriya (JP)

(73) Assignee: **Hitachi Medical Corporation**, Tokyo (JP)

(**) Term: **14 Years**

(21) Appl. No.: **29/238,450**

(22) Filed: **Sep. 16, 2005**

(30) **Foreign Application Priority Data**

Mar. 17, 2005 (JP) 2005-008028

(51) **LOC (8) Cl.** **24-01**

(52) **U.S. Cl.** **D24/158**

(58) **Field of Classification Search** D24/158-161,
D24/183; 378/178-190, 193, 195-198, 208,
378/209, 10, 11, 37-39

See application file for complete search history.

(56) **References Cited**

U.S. PATENT DOCUMENTS

D272,385 S *	1/1984	Nakano et al.	D24/158
D323,892 S *	2/1992	Spoljaric	D24/158
D331,110 S *	11/1992	Virta et al.	D24/158
D417,503 S *	12/1999	Spoljaric	D24/158
6,118,842 A *	9/2000	Arai et al.	378/39
D448,849 S *	10/2001	Laupper	D24/158
D469,182 S *	1/2003	Choi et al.	D24/158
6,851,851 B2 *	2/2005	Smith et al.	378/189
6,888,919 B2 *	5/2005	Graf	378/65

D527,105 S * 8/2006 Kitayama et al. D24/158

* cited by examiner

Primary Examiner—Louis S. Zarfes

Assistant Examiner—Anhdao Doan

(74) *Attorney, Agent, or Firm*—Antonelli, Terry, Stout & Kraus, LLP.

(57) **CLAIM**

We claim the ornamental design for a x-ray imaging apparatus, as shown and described.

DESCRIPTION

FIG. 1 is a front, top and left side perspective view of a x-ray imaging apparatus showing our new design;

FIG. 2 is a front elevational view thereof;

FIG. 3 is a right side elevational view thereof;

FIG. 4 is a left side elevational view thereof;

FIG. 5 is a top plan view thereof;

FIG. 6 is a bottom plan view thereof;

FIG. 7 is a rear side elevational view thereof;

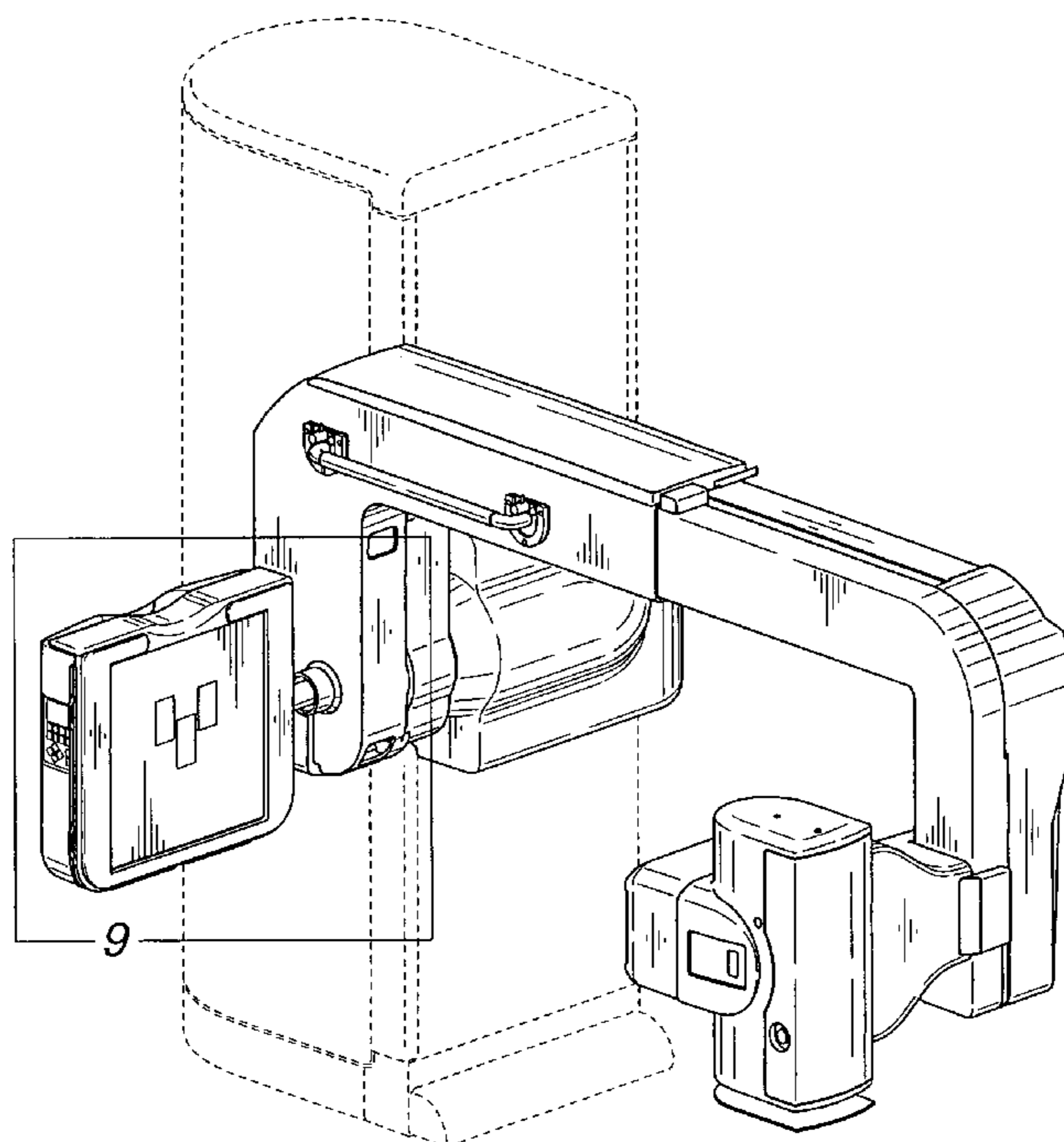
FIG. 8 is a left side elevational view showing the x-ray imaging apparatus in a moved position with respect to FIG. 4;

FIG. 9 is an enlarged view of the portion shown in box 9 in FIG. 1; and,

FIG. 10 is an enlarged view of the portion shown in box 10 in FIG. 8.

The broken line showing of the environment is for illustrative purposes only and forms no part of the claimed design.

1 Claim, 10 Drawing Sheets



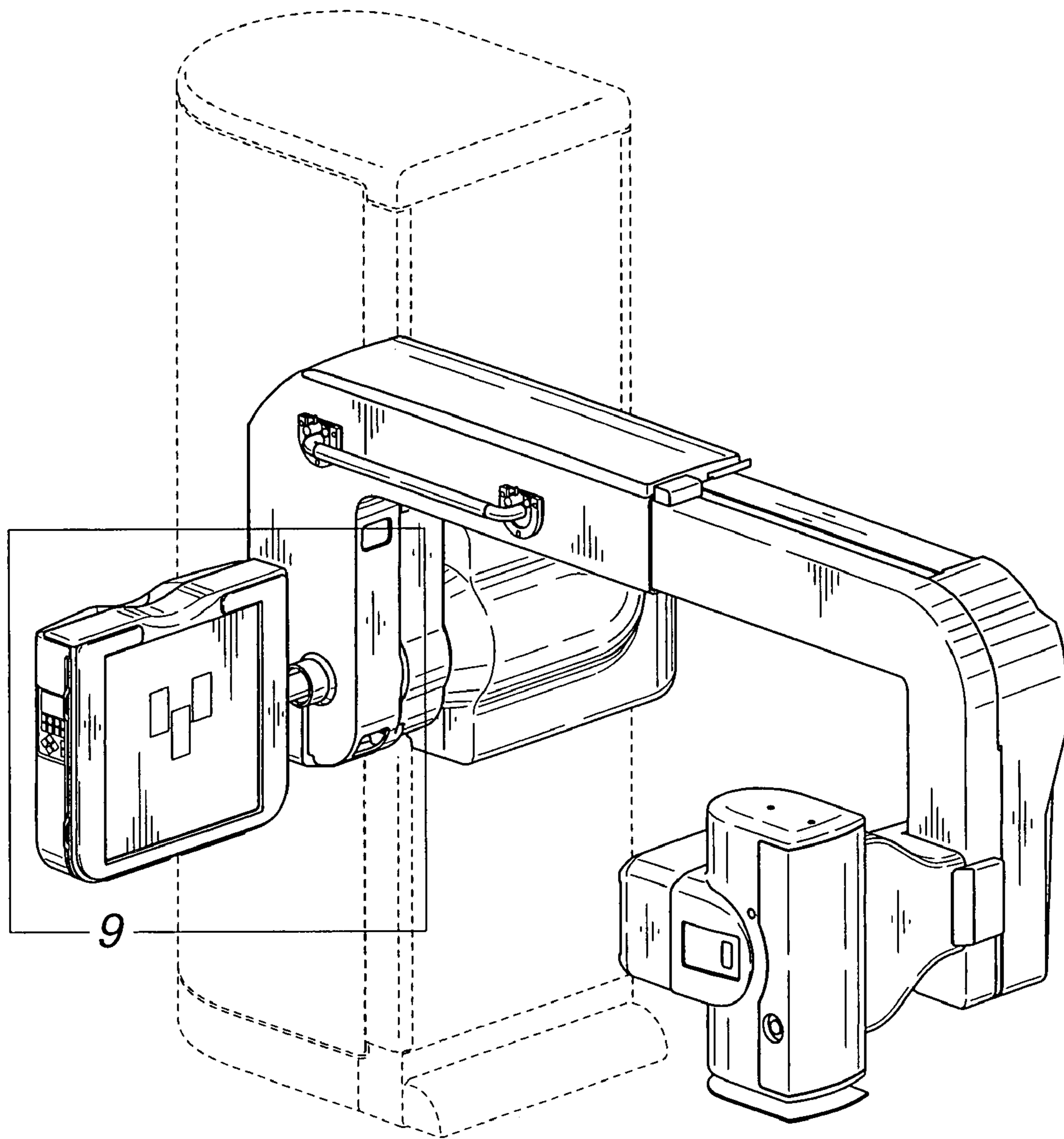


FIG. 1

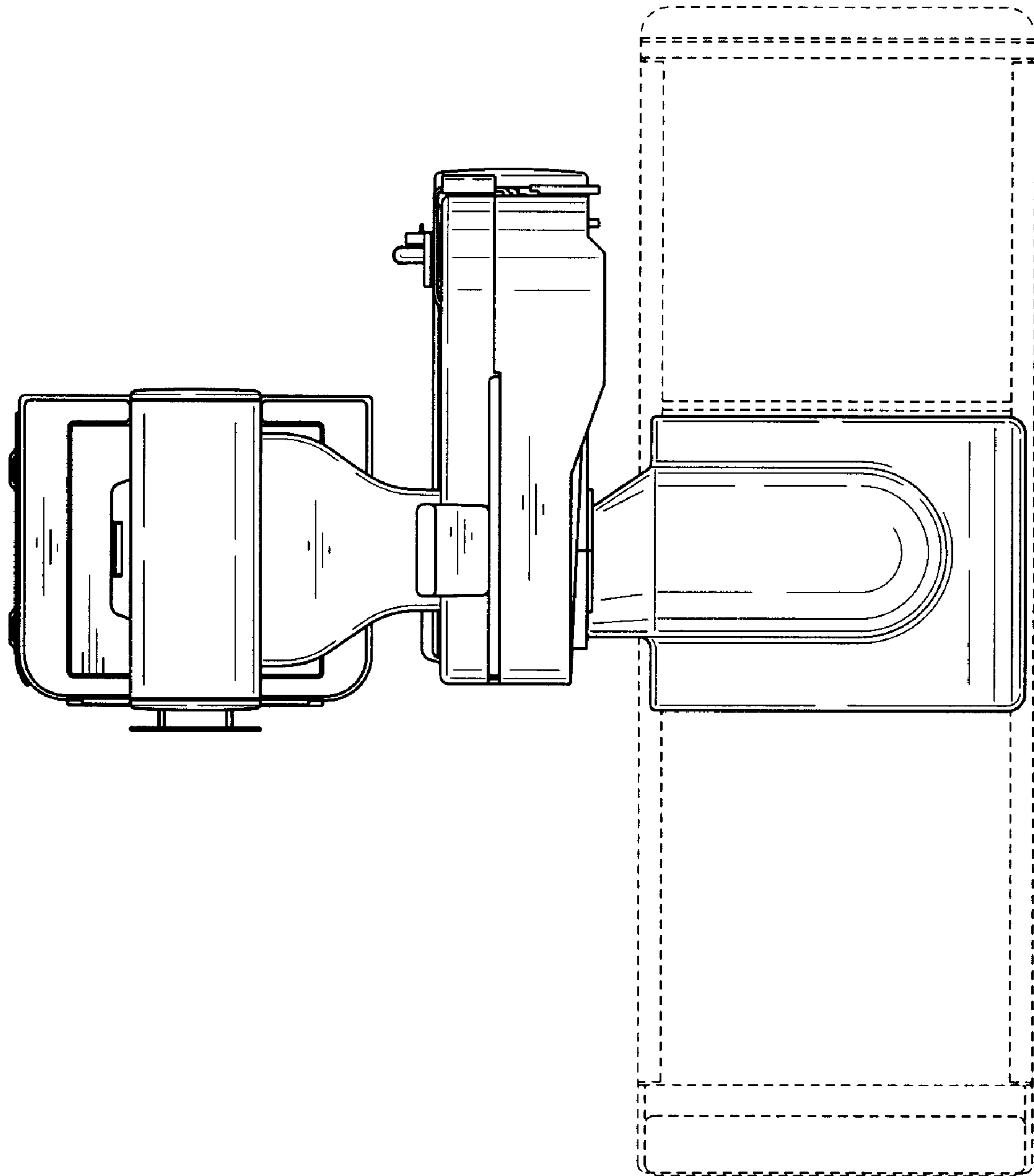


FIG. 2

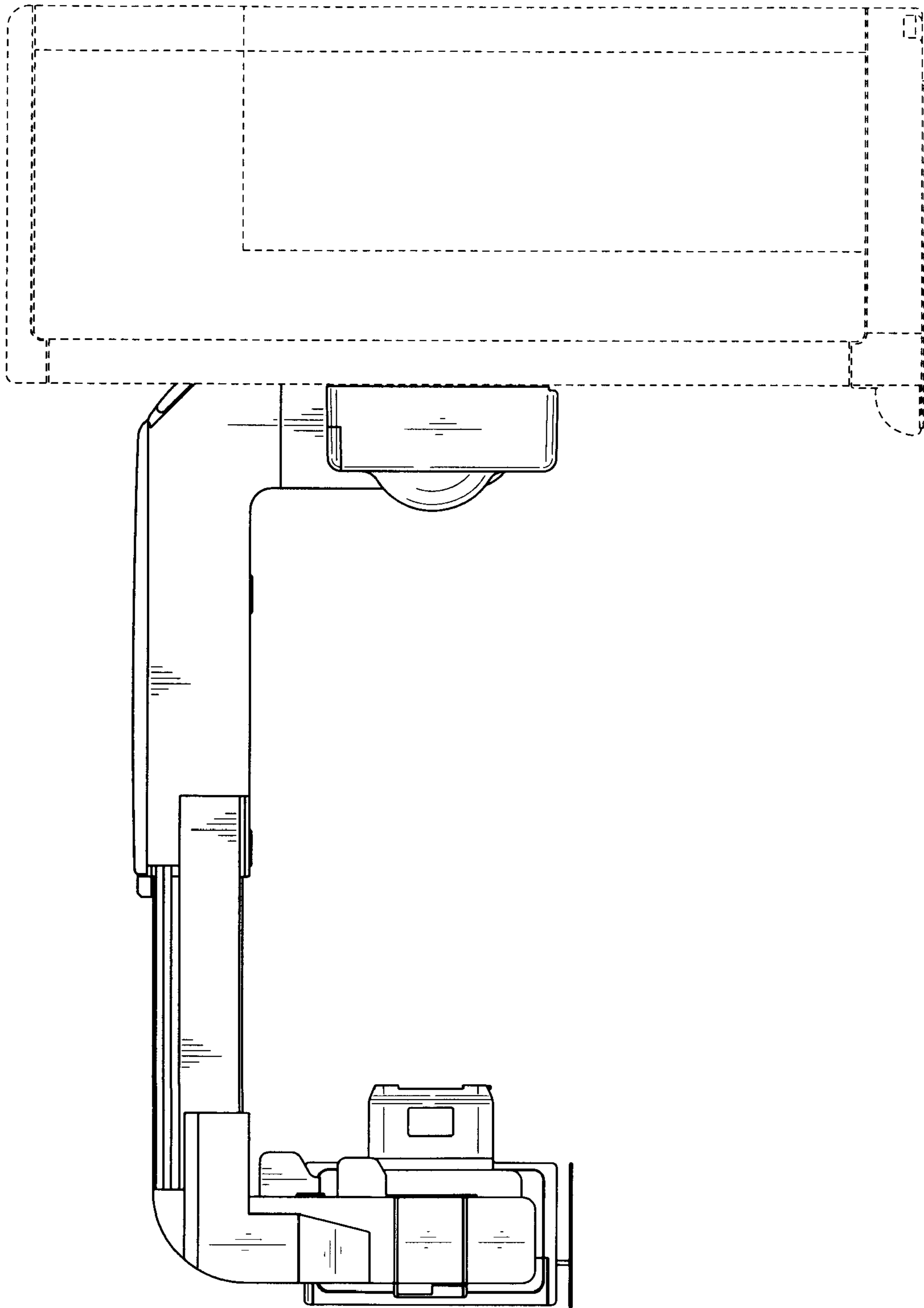


FIG. 3

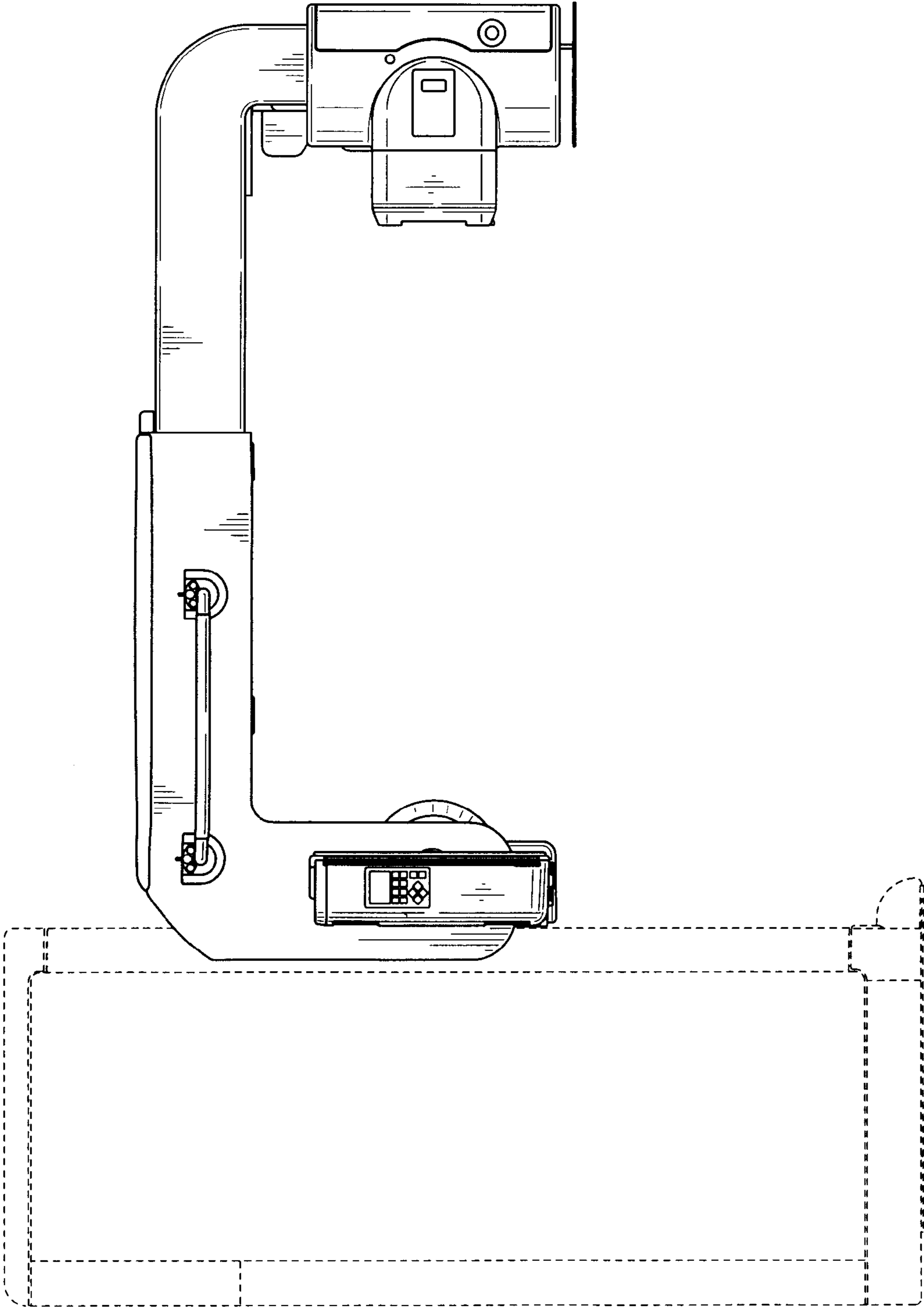


FIG. 4

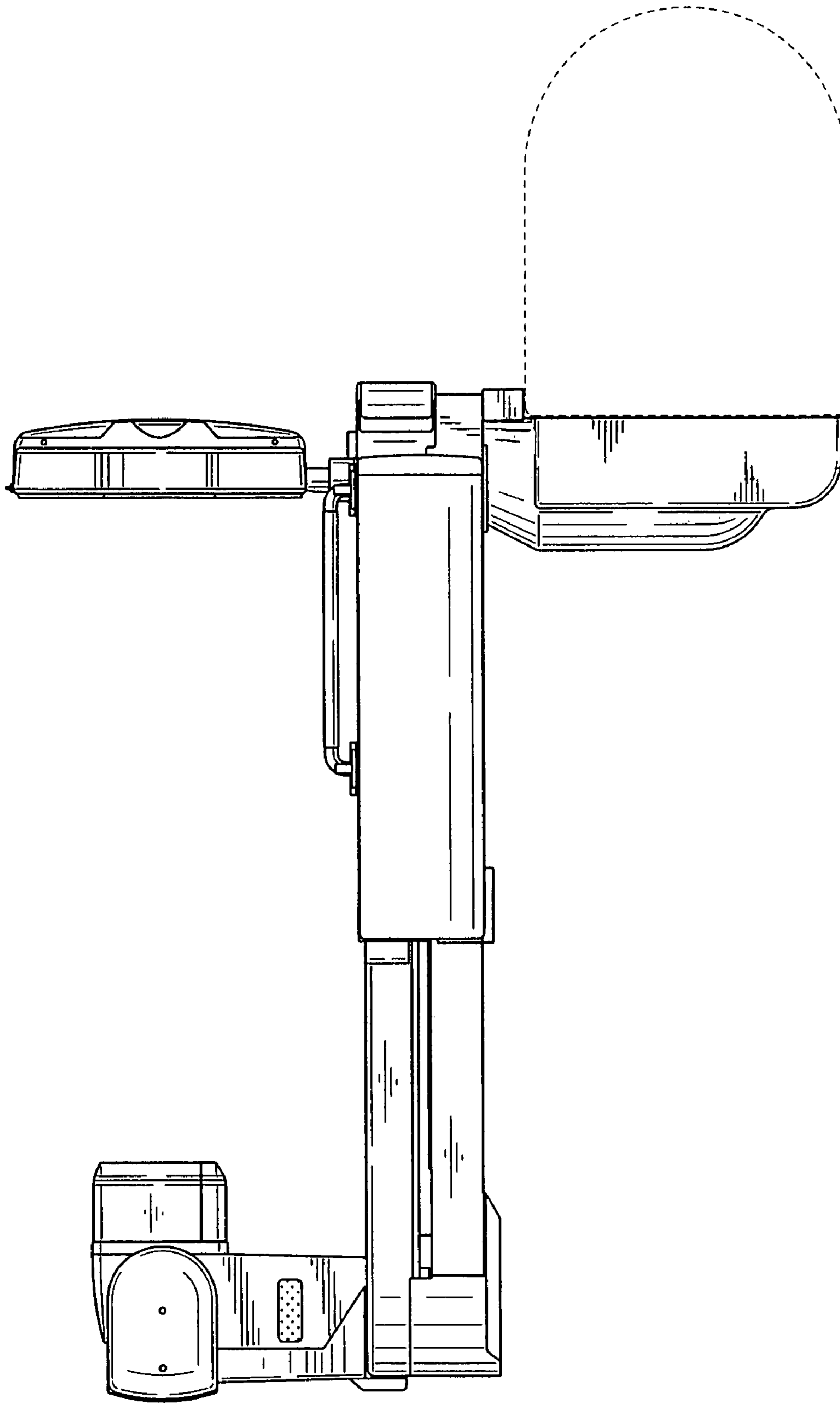


FIG. 5

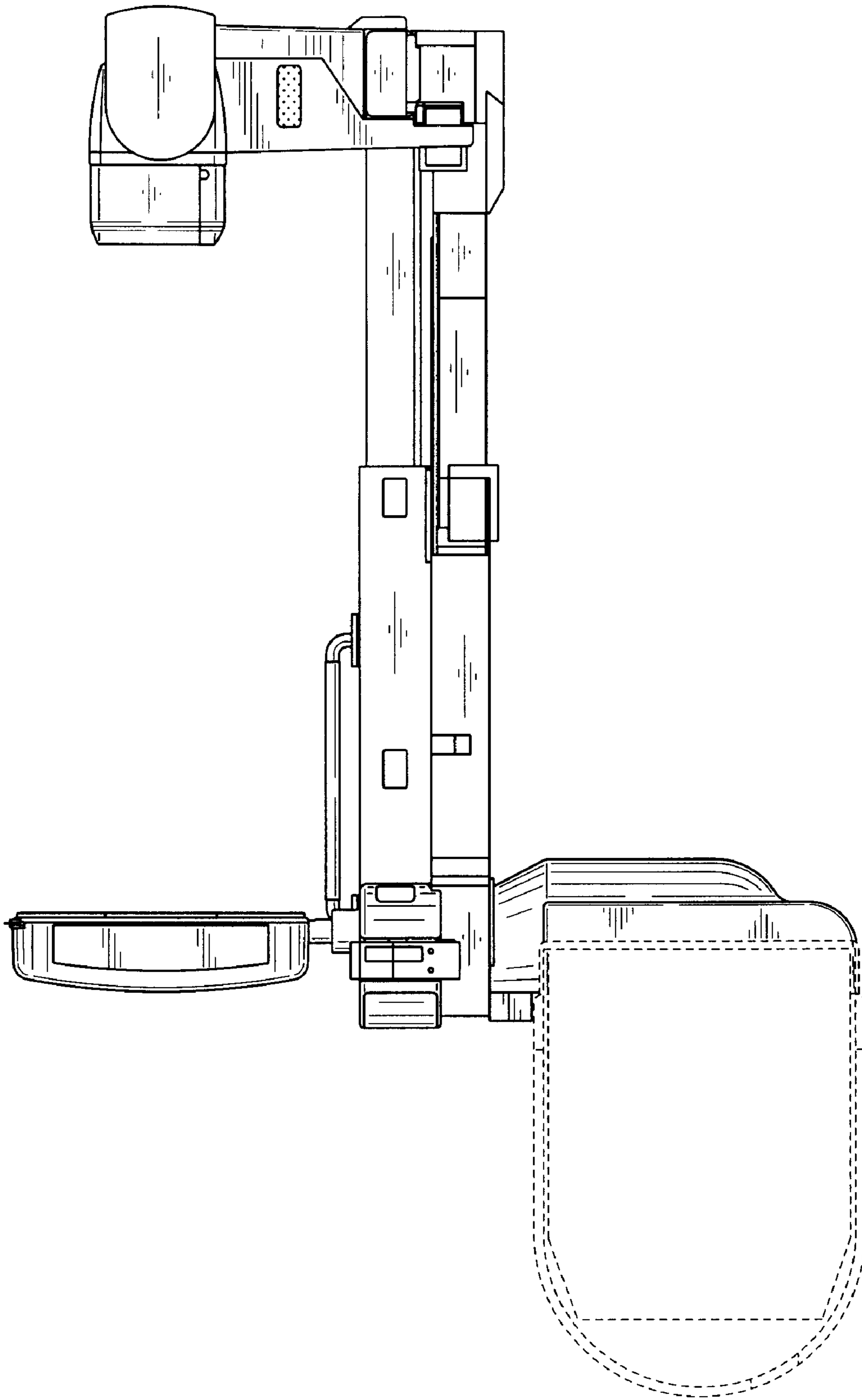


FIG. 6

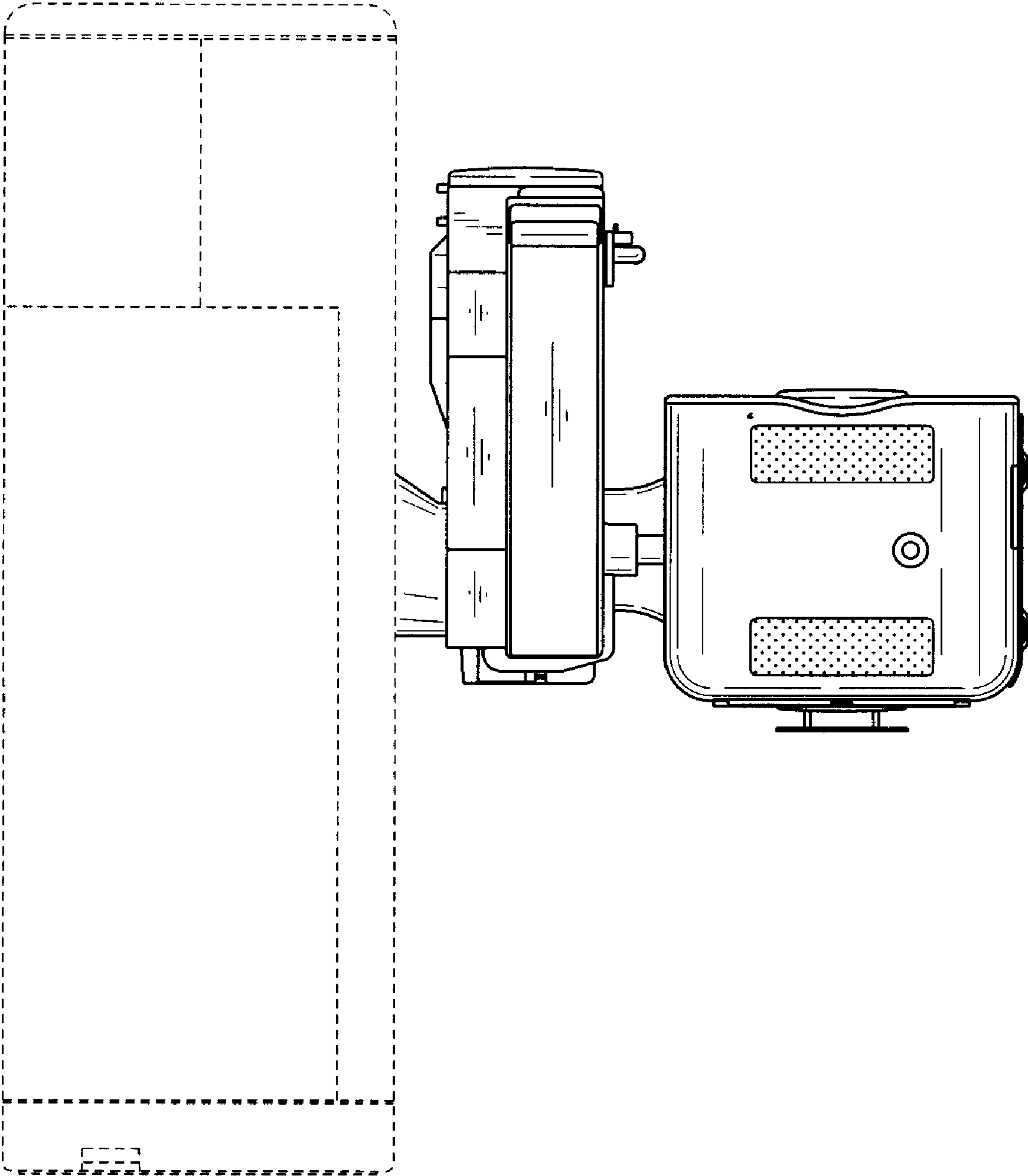


FIG. 7

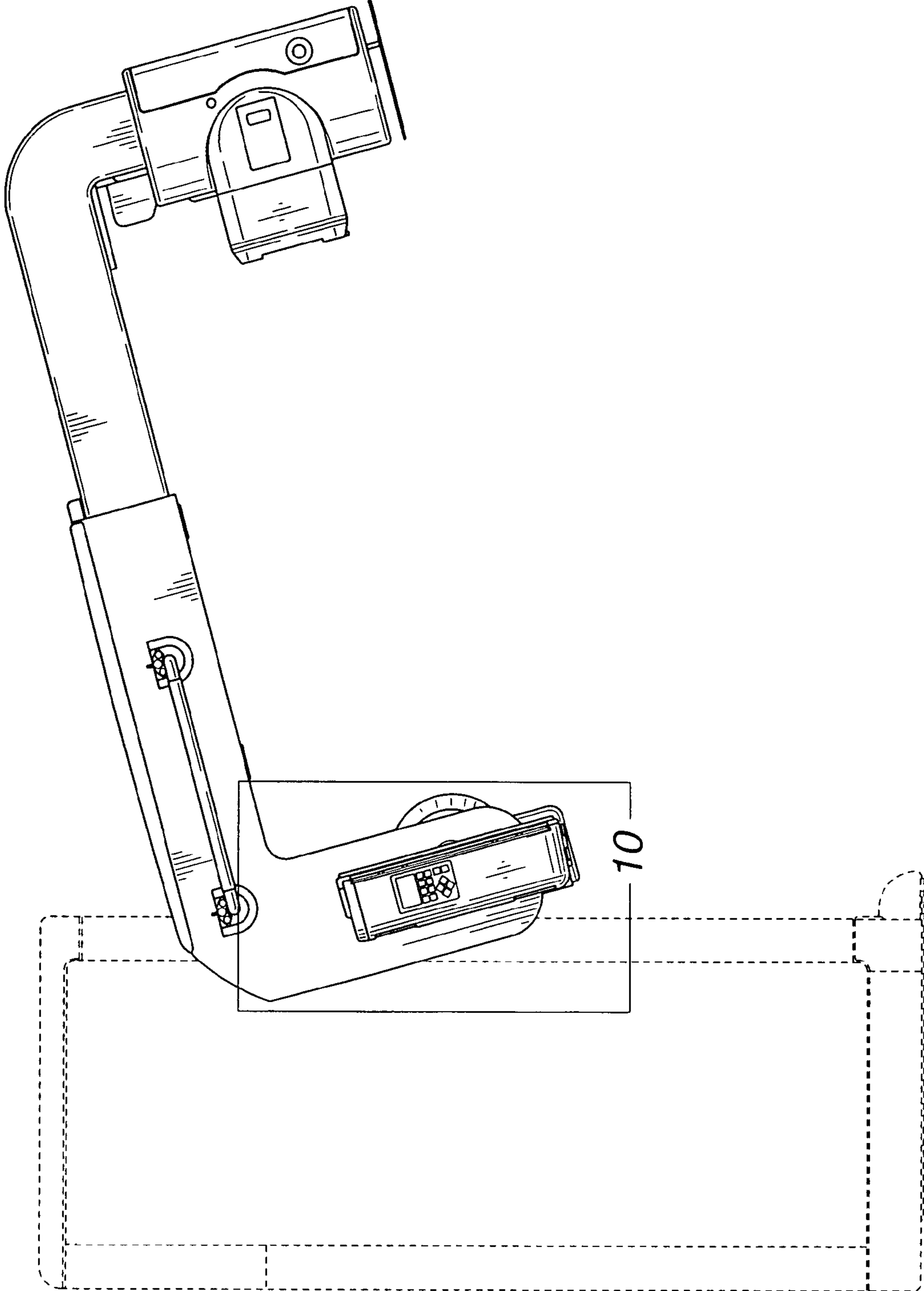


FIG. 8

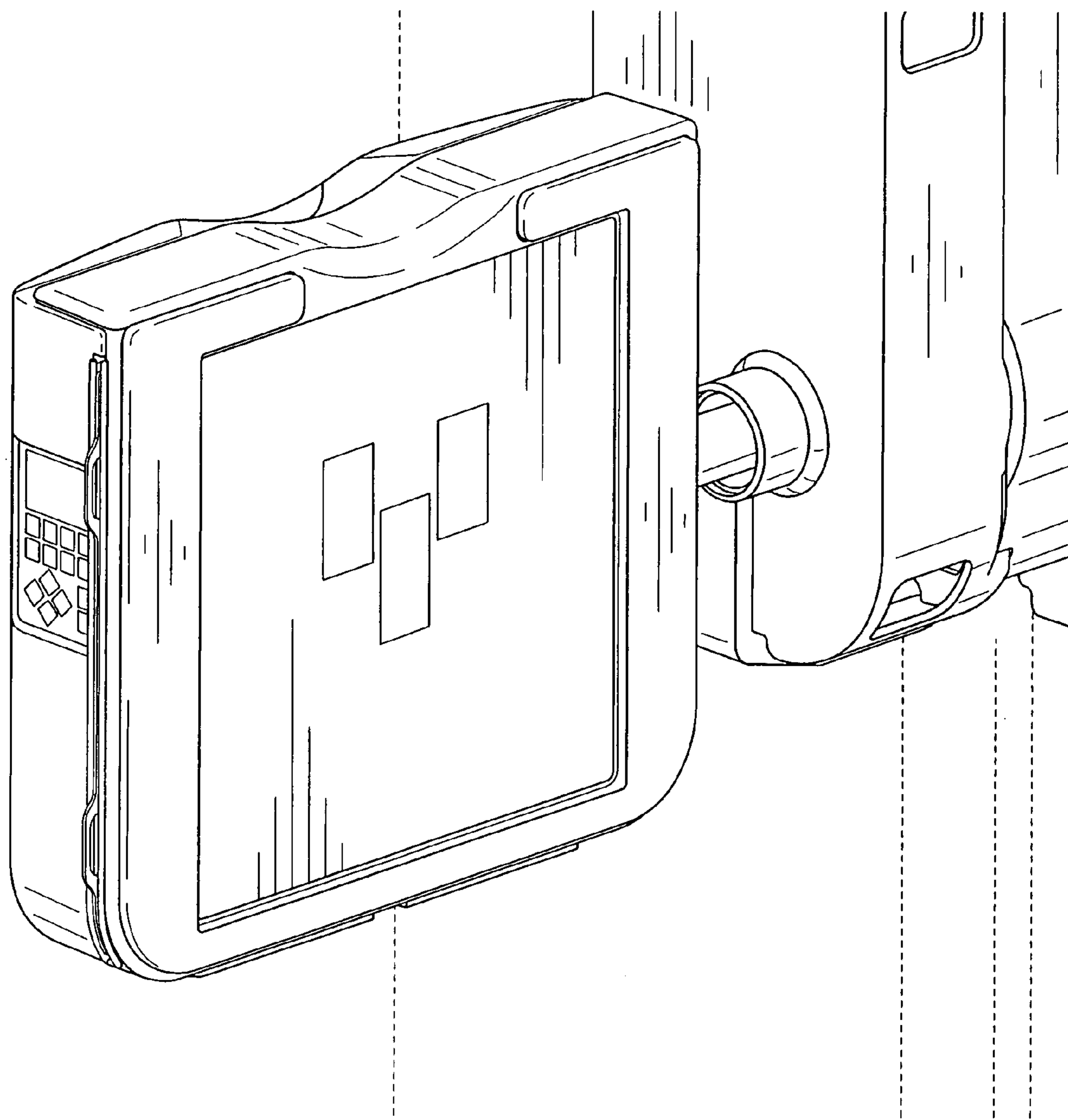


FIG. 9

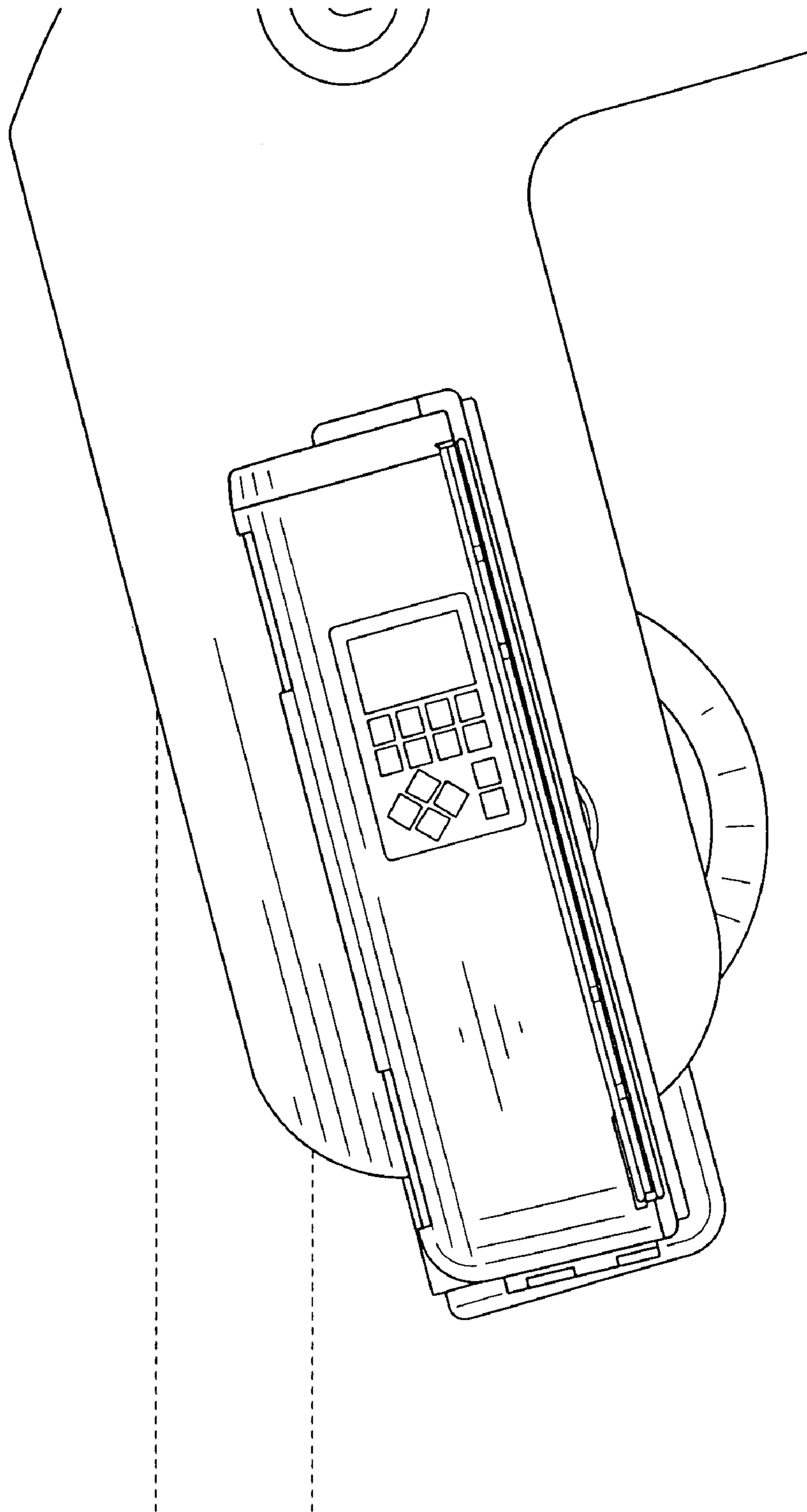


FIG. 10