



US00D554754S

(12) **United States Design Patent**
Ito et al.

(10) **Patent No.:** **US D554,754 S**

(45) **Date of Patent:** **** Nov. 6, 2007**

(54) **X-RAY DEVICE**

RE35,025 E * 8/1995 Anderton 378/101
D371,197 S * 6/1996 Golden et al. D24/158

(75) Inventors: **Michihiro Ito**, Hamamatsu (JP);
Kazutaka Suzuki, Hamamatsu (JP)

* cited by examiner

(73) Assignee: **Hamamatsu Photonics K.K.**, Shizuoka (JP)

Primary Examiner—Louis S. Zarfaz
Assistant Examiner—Anhdao Doan
(74) *Attorney, Agent, or Firm*—Drinker Biddle & Reath LLP

(**) Term: **14 Years**

(57) **CLAIM**

(21) Appl. No.: **29/223,909**

The ornamental design for an X-ray device, as shown and described.

(22) Filed: **Feb. 23, 2005**

(30) **Foreign Application Priority Data**

DESCRIPTION

Sep. 1, 2004 (JP) D2004-026479
Sep. 1, 2004 (JP) D2004-026480
Dec. 14, 2004 (JP) D2004-038267

FIG. 1 is a front elevation view of an X-ray device according to the present invention.

FIG. 2 is a back elevation view of the design shown in FIG. 1.

(51) **LOC (8) Cl.** **24-01**

(52) **U.S. Cl.** **D24/158**

FIG. 3 is a top plan view of the design shown in FIG. 1.

FIG. 4 is a bottom plan view of the design shown in FIG. 1.

(58) **Field of Classification Search** D24/158-161,
D24/183; 378/193, 195-198, 102, 103, 110,
378/112

FIG. 5 is a right-side elevation view of the design shown in FIG. 1.

See application file for complete search history.

FIG. 6 is a left-side elevation view of the design shown in FIG. 1; and,

(56) **References Cited**

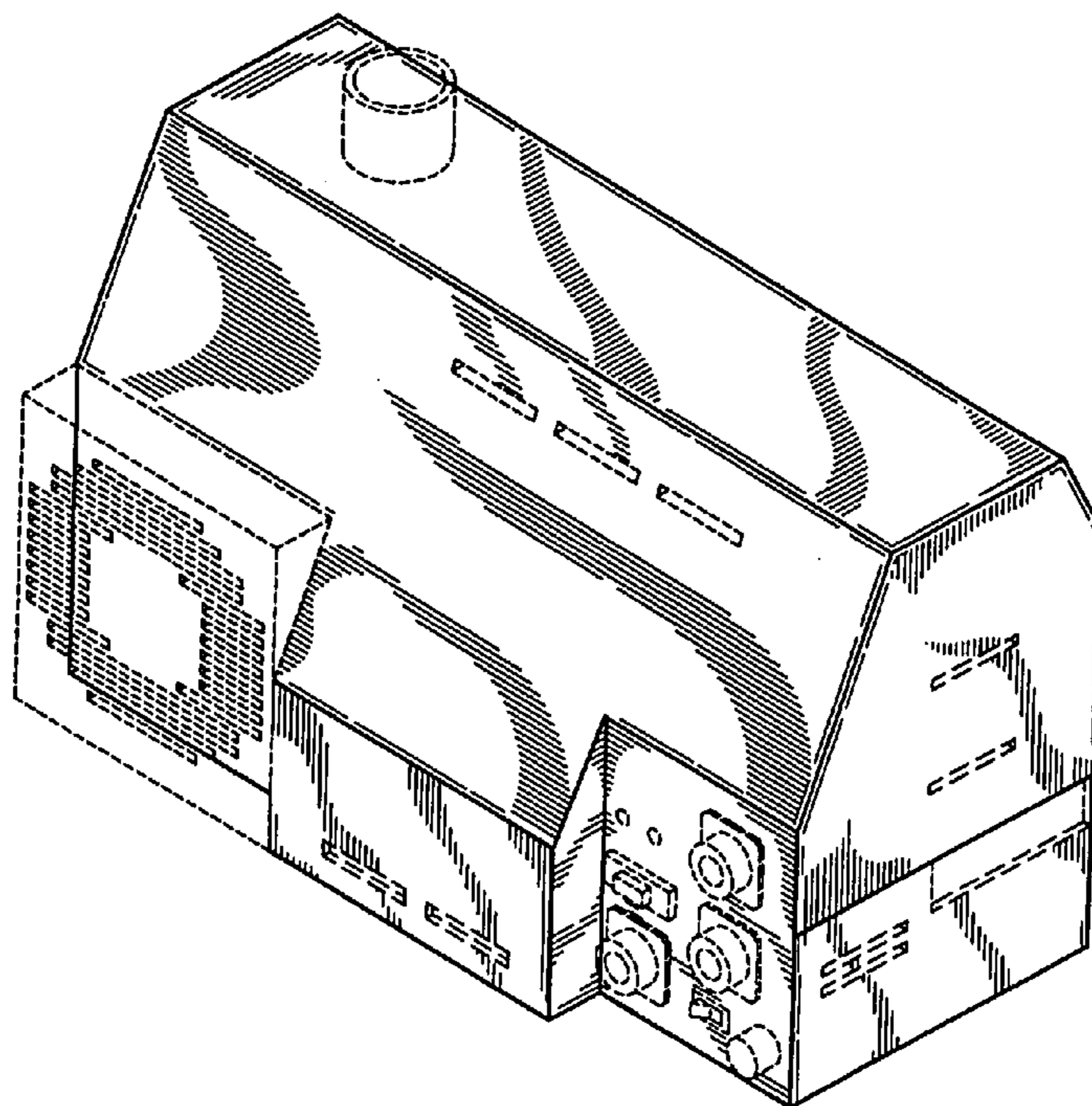
U.S. PATENT DOCUMENTS

4,170,735 A * 10/1979 Codina et al. 378/96
D319,101 S * 8/1991 Endo D24/158
D332,656 S * 1/1993 Atkinson et al. D24/111
5,231,564 A * 7/1993 Pellegrino et al. 363/61
D342,137 S * 12/1993 Guentner D24/158

FIG. 7 is a perspective view of the design shown in FIG. 1.

The features shown in broken lines in FIGS. 1-7 drawing views are for illustrative purposes only and form no part of the claimed design.

1 Claim, 4 Drawing Sheets



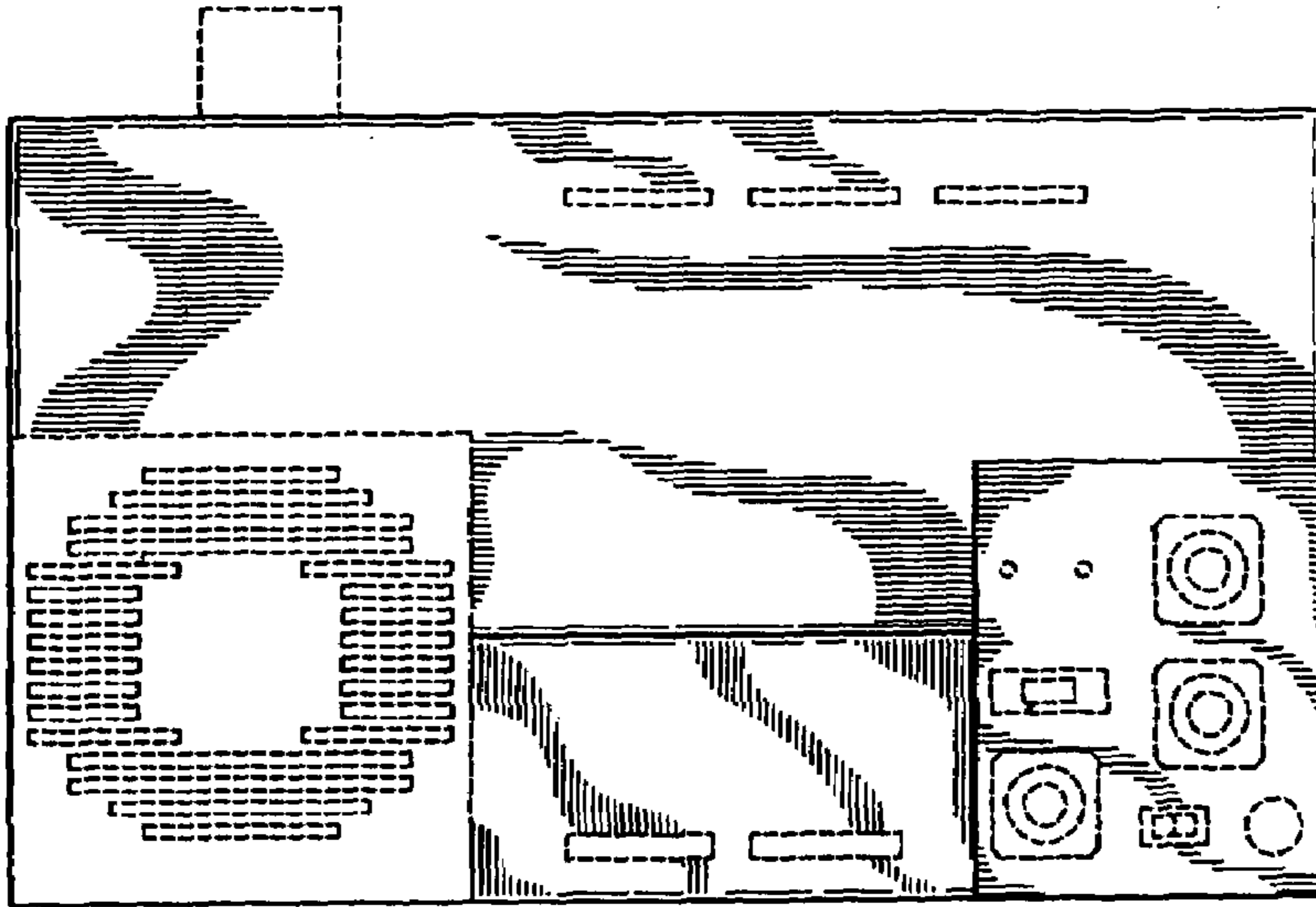


FIG. 1

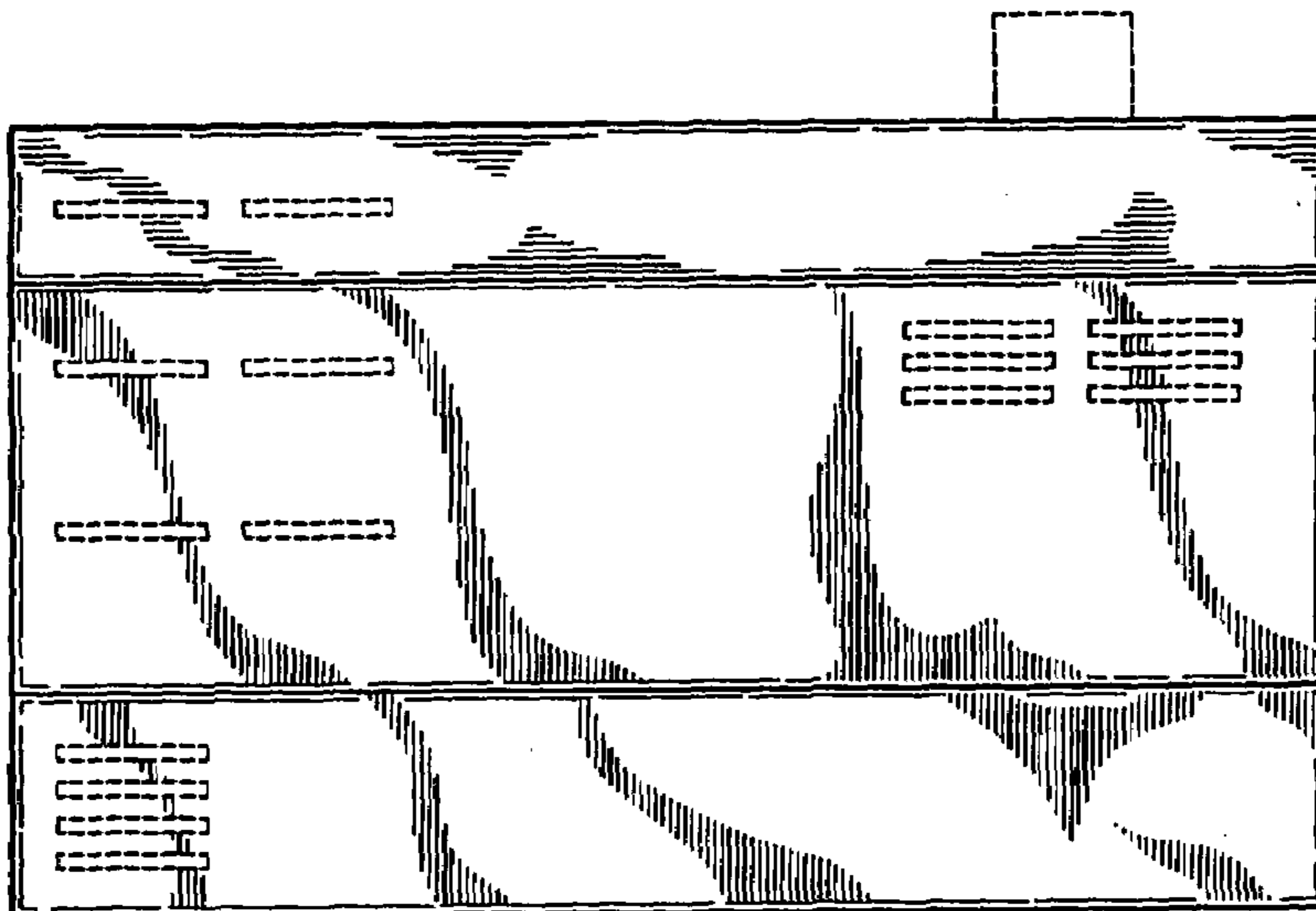


FIG. 2

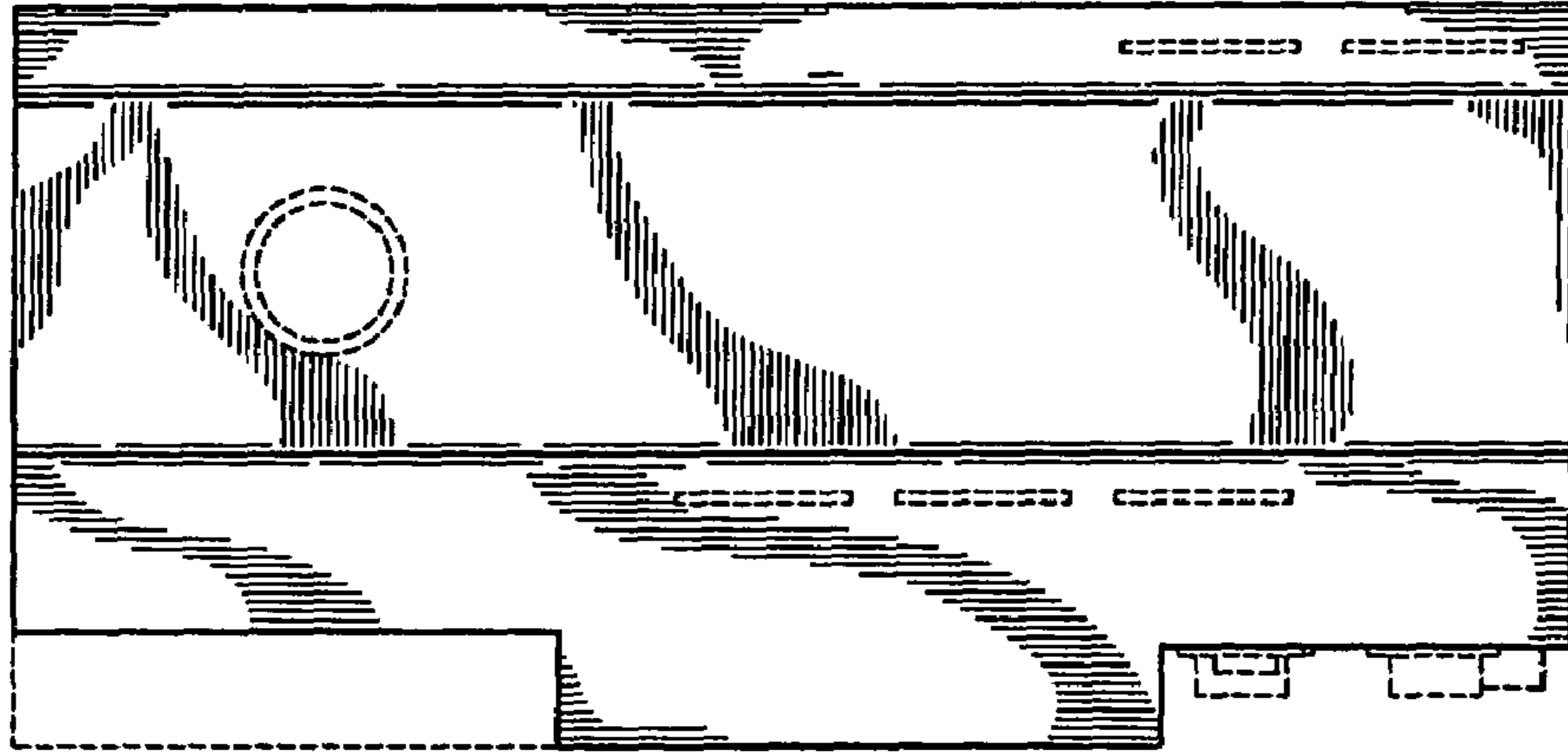


FIG. 3

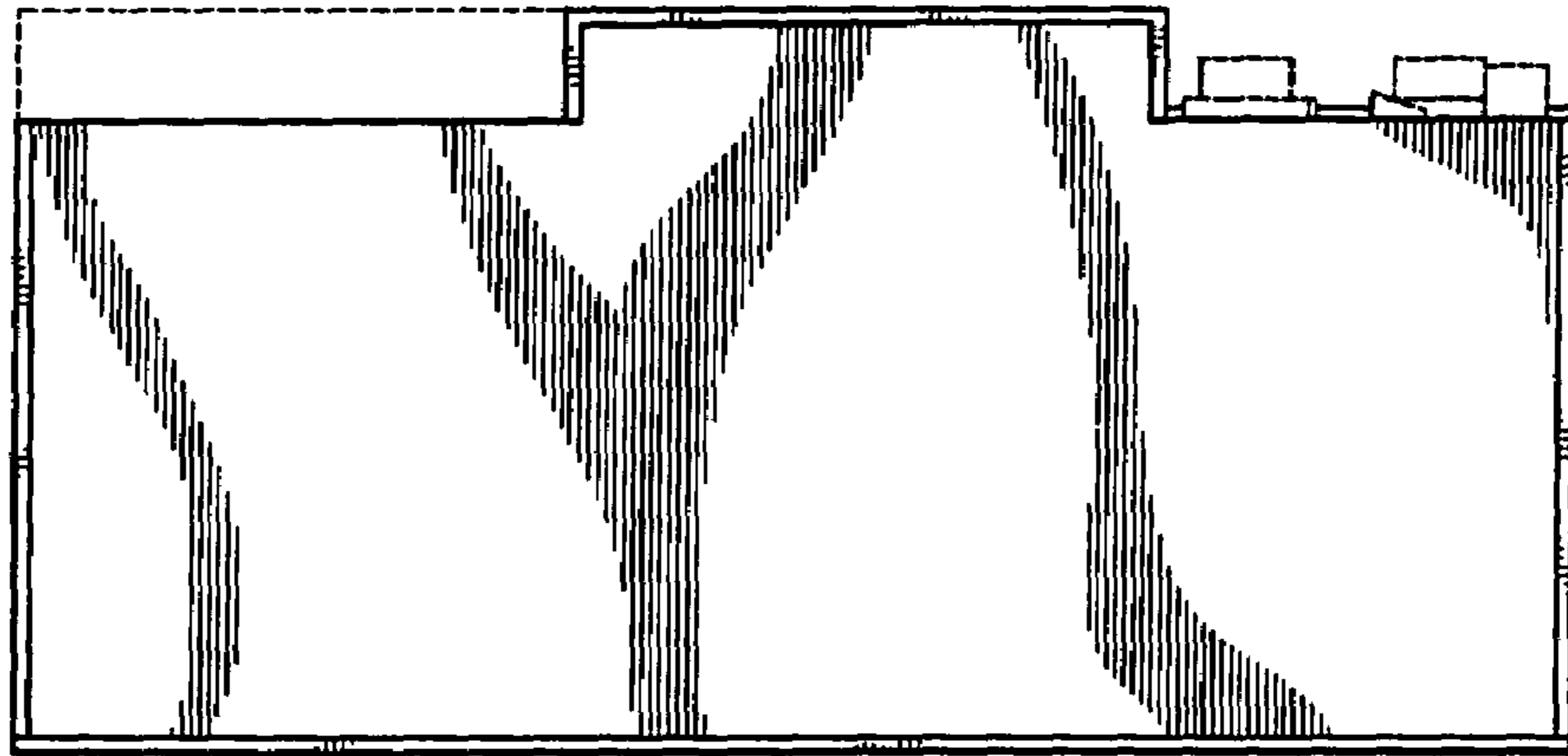


FIG. 4

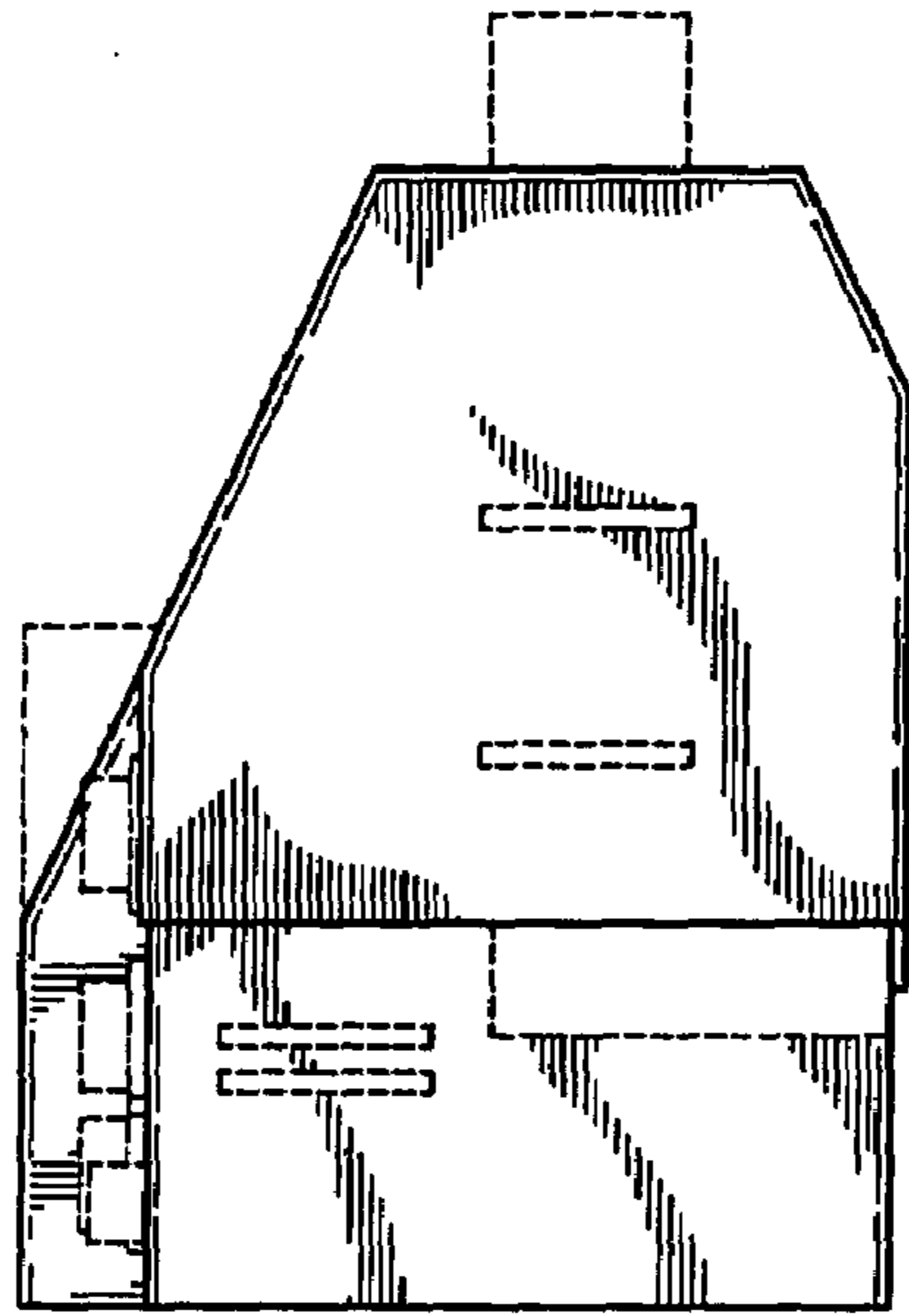


FIG. 5

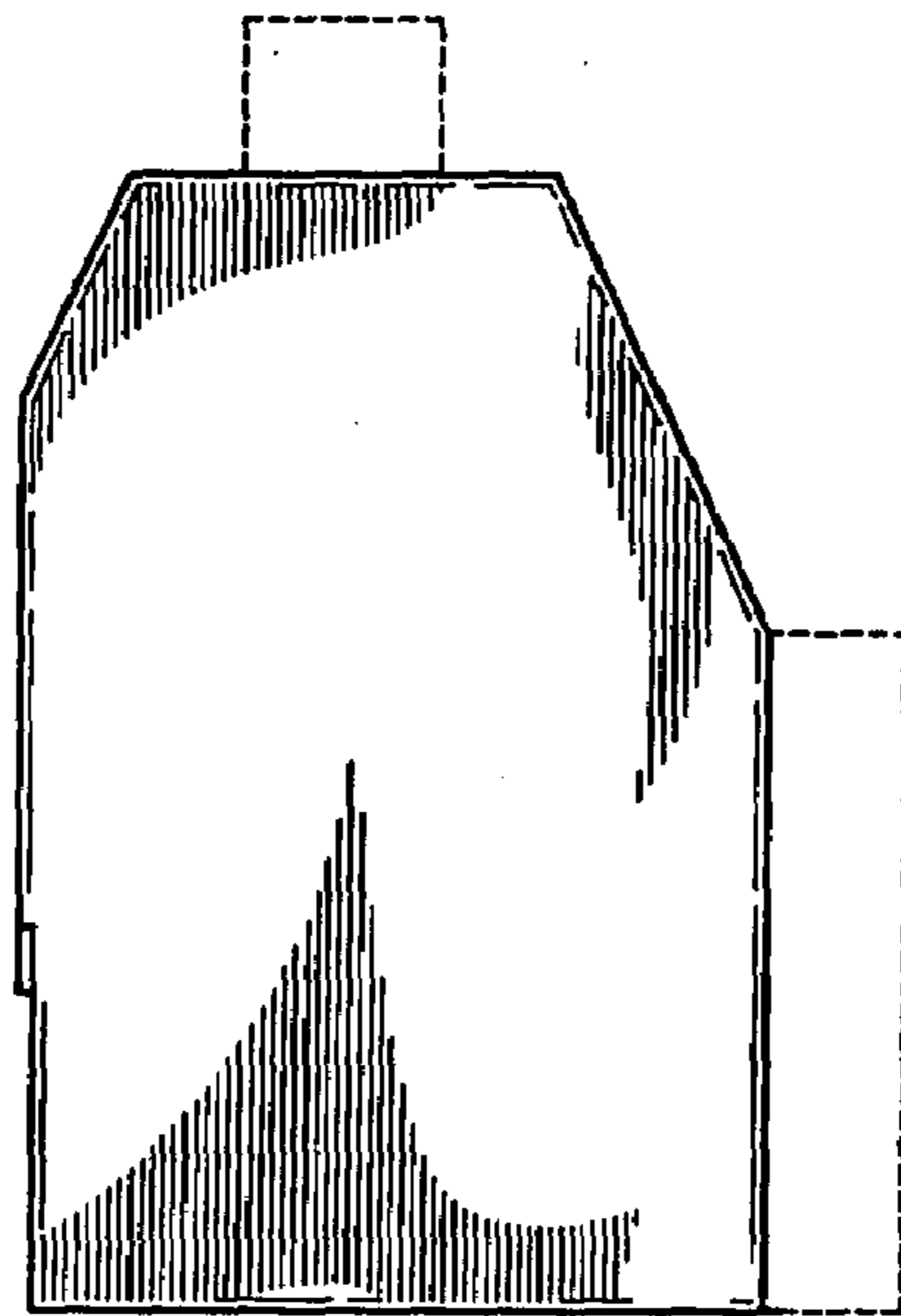


FIG. 6

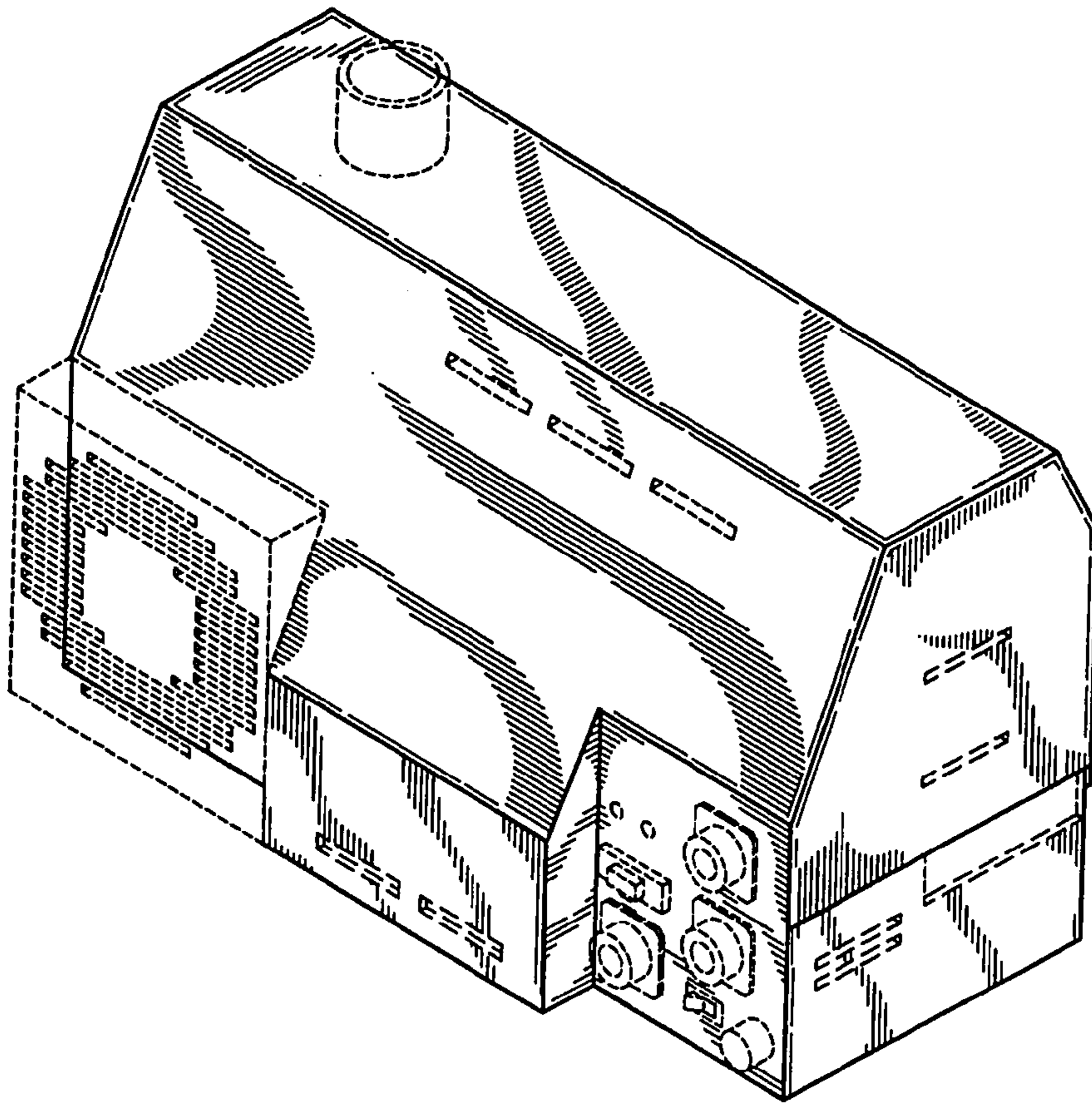


FIG. 7