



US00D554752S

(12) **United States Design Patent**
Reed

(10) **Patent No.:** **US D554,752 S**

(45) **Date of Patent:** **** Nov. 6, 2007**

(54) **CLIP-IN NOSTRIL EXPANDER**

(76) **Inventor:** **Glen B. Reed**, 695 Madera Pl., St. George, UT (US) 84790

(**) **Term:** **14 Years**

(21) **Appl. No.:** **29/273,826**

(22) **Filed:** **Mar. 15, 2007**

(51) **LOC (8) Cl.** **24-02**

(52) **U.S. Cl.** **D24/135; D24/106**

(58) **Field of Classification Search** D24/106,
D24/135; 606/199, 204.45; 604/164.1;
600/529, 184; 128/848, 200.24, 206.11

See application file for complete search history.

(56) **References Cited**

U.S. PATENT DOCUMENTS

| | | | | | |
|--------------|------|---------|----------|-------|------------|
| 1,256,188 | A * | 2/1918 | Wilson | | 606/199 |
| 4,327,719 | A * | 5/1982 | Childers | | 128/206.11 |
| 5,665,104 | A | 9/1997 | Lee | | |
| 6,004,342 | A | 12/1999 | Filis | | |
| D430,667 | S * | 9/2000 | Rome | | D24/135 |
| D438,967 | S * | 3/2001 | Alpers | | D24/135 |
| 2006/0266367 | A1 * | 11/2006 | Noce | | 128/207.18 |

* cited by examiner

Primary Examiner—Ian Simmons

Assistant Examiner—Carissa C Fitts

(74) *Attorney, Agent, or Firm*—M. Reid Russell

(57) **CLAIM**

The ornamental design for a clip-in nostril expander, as shown and described.

DESCRIPTION

FIG. 1 is a side elevation perspective view taken from the top and right side and above a clip-in nostril expander showing my new design;

FIG. 2 is a top plan view thereof;

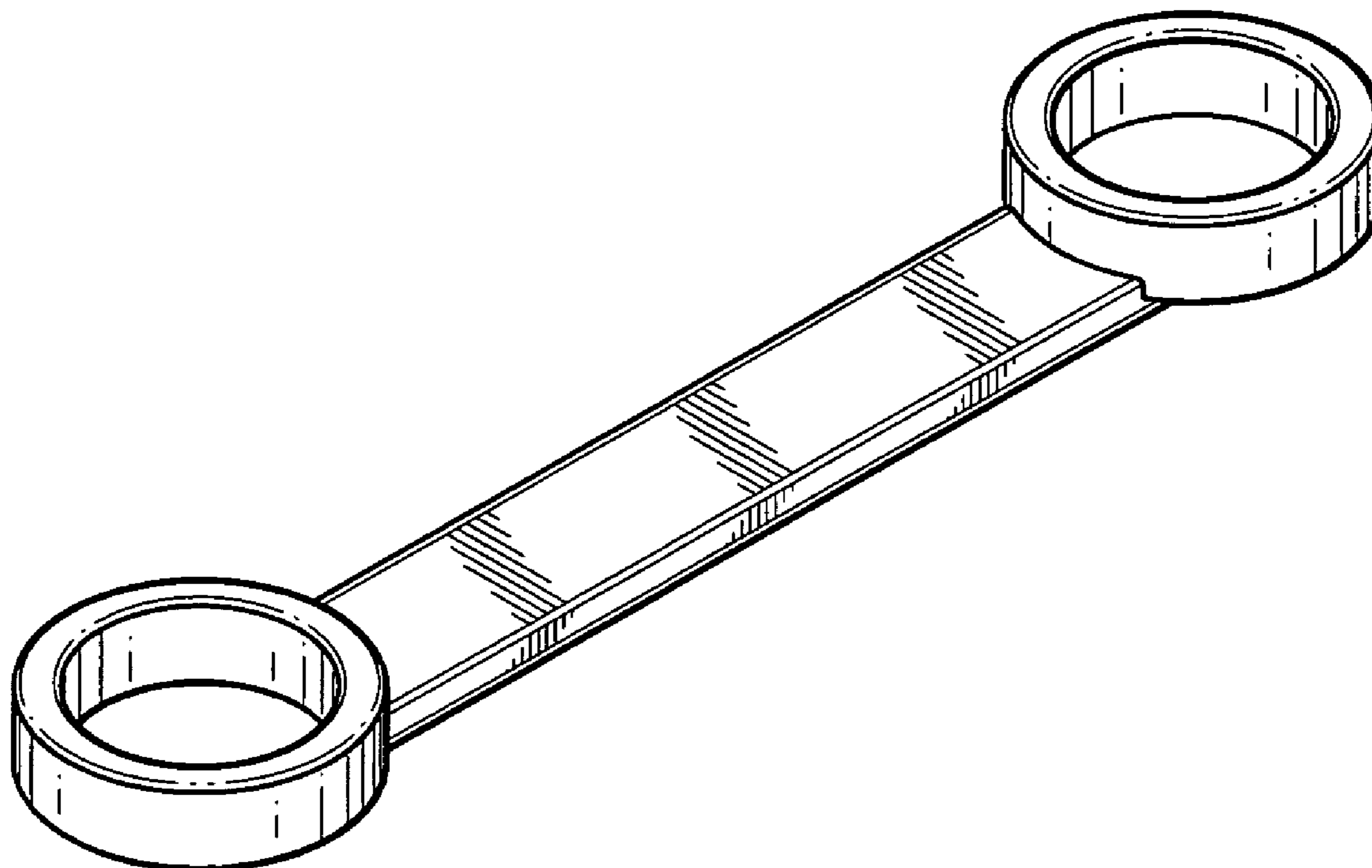
FIG. 3 is a right side elevation view thereof, it being understood that a left side view is a mirror image thereof;

FIG. 4 is a bottom plan view thereof;

FIG. 5 is a right end view thereof, it being understood that a left end view is a mirror image thereof; and,

FIG. 6 is a view like that of FIG. 1 that shows the clip-in nostril expander in dark lines that has been bent across a center strap that connects on its ends to left and right cylinders that are fitted into a person's nostrils that are shown in light lines, illustrating a use of the new design.

1 Claim, 2 Drawing Sheets



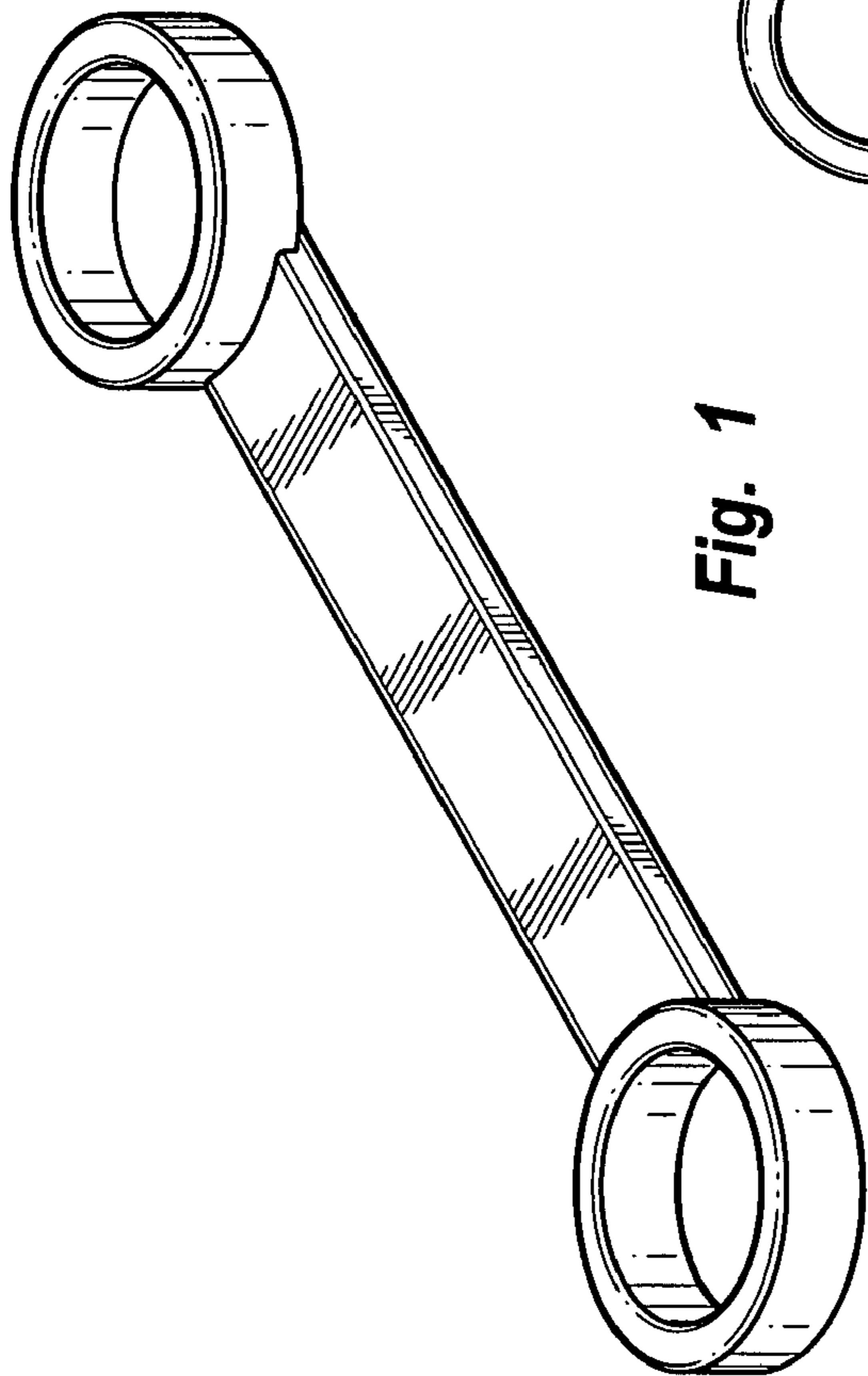


Fig. 1

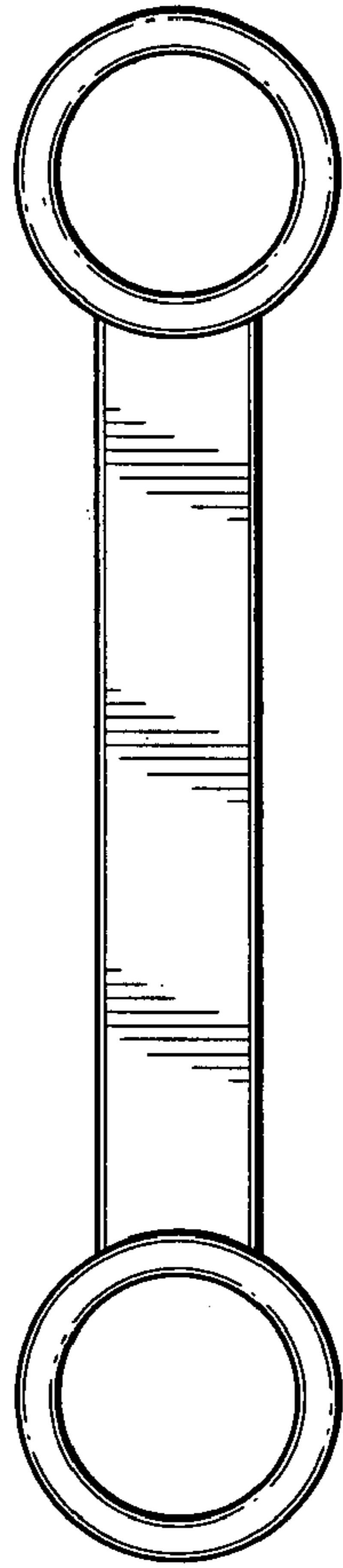


Fig. 2

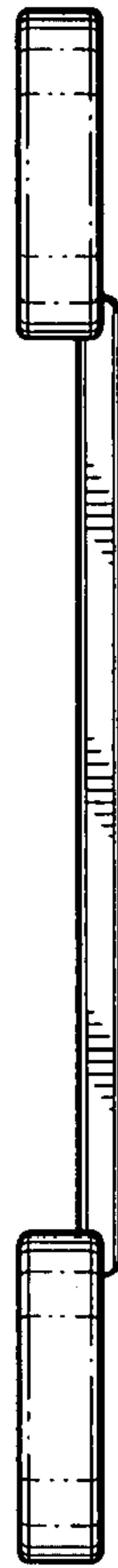


Fig. 3

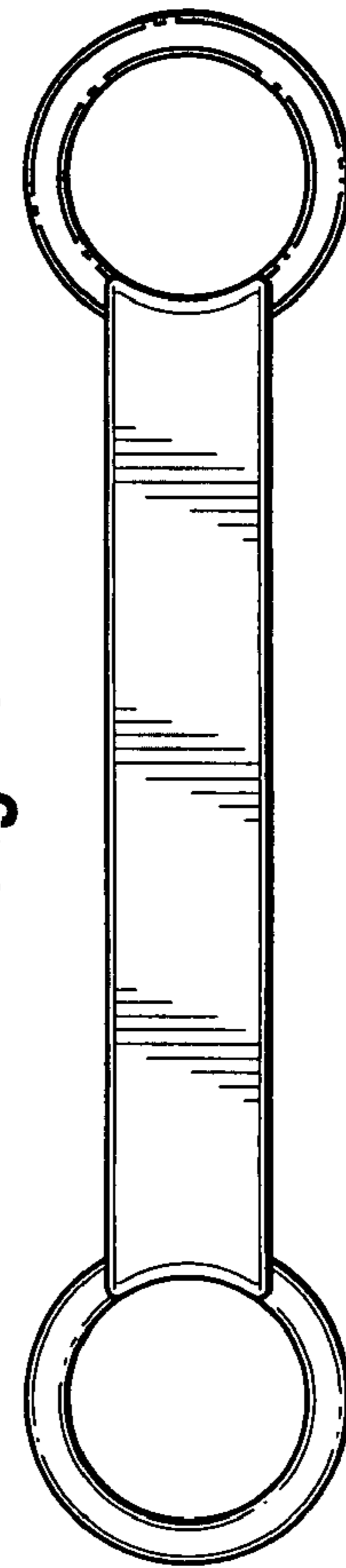


Fig. 4



Fig. 5

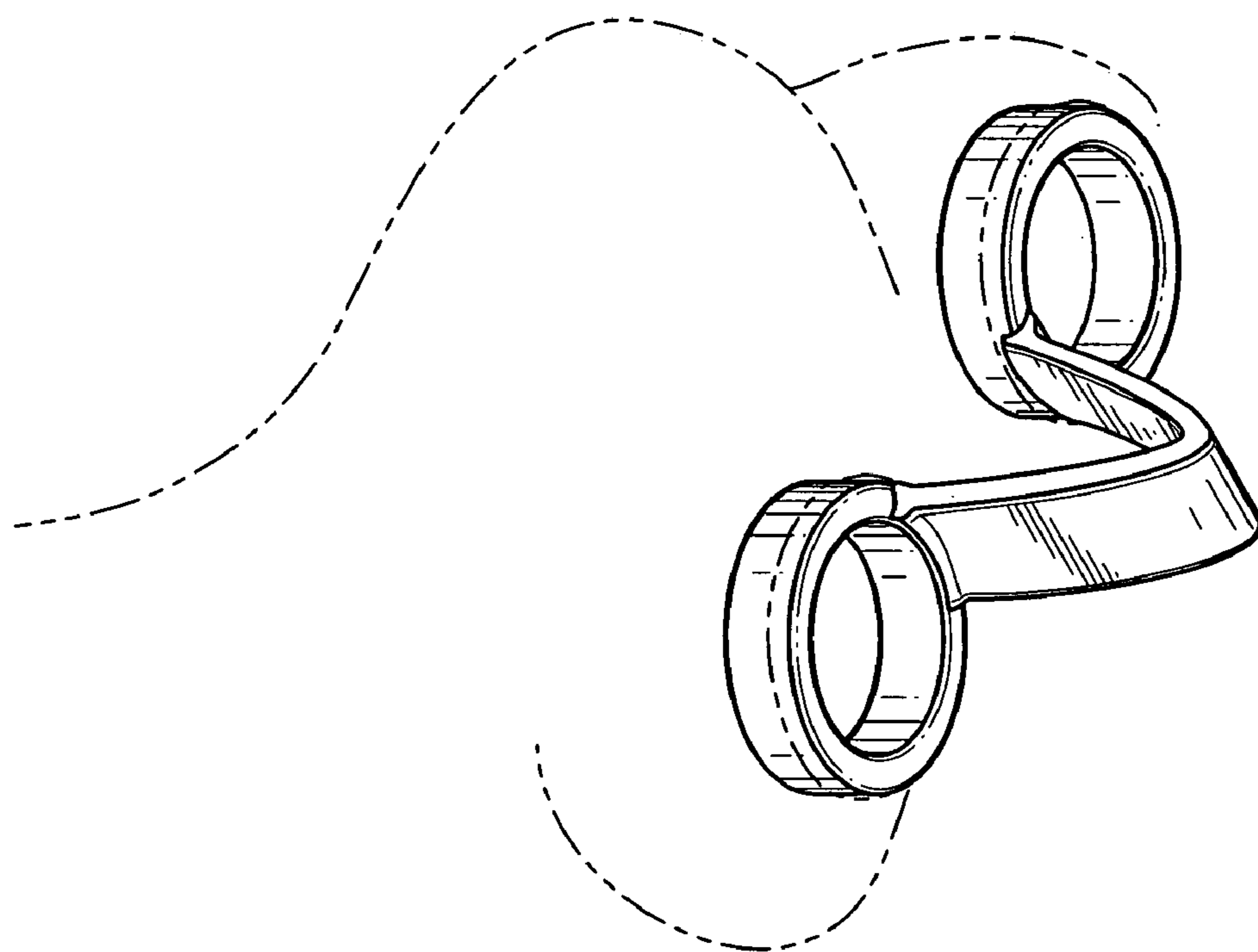


Fig. 6