



US00D554751S

(12) **United States Design Patent**
Flores

(10) **Patent No.:** **US D554,751 S**

(45) **Date of Patent:** **** Nov. 6, 2007**

(54) **HOUSING**

(75) Inventor: **Miguel Flores**, Riverside, CA (US)

(73) Assignee: **Minka Lighting, Inc.**, Corona, CA (US)

(**) Term: **14 Years**

(21) Appl. No.: **29/250,244**

(22) Filed: **Nov. 7, 2006**

(51) **LOC (8) Cl.** **23-04**

(52) **U.S. Cl.** **D23/411**

(58) **Field of Classification Search** D23/411,
D23/413, 377, 379, 385; 416/5; D26/59,
D26/51, 72, 81-86, 88

See application file for complete search history.

(56) **References Cited**

U.S. PATENT DOCUMENTS

D341,991 S	*	12/1993	Frere	D7/396.1
D390,944 S	*	2/1998	Pickett et al.	D23/377
D390,945 S	*	2/1998	Pickett	D23/377
D397,199 S	*	8/1998	Pickett	D23/377
D530,417 S	*	10/2006	Hidalgo	D23/411

OTHER PUBLICATIONS

- U.S. Appl. No. 29/250,241.
- U.S. Appl. No. 29/250,242.
- MinkaAire Internet Catalog; Chantal ceiling fan; Model F-559; printed from minkagroup.net.
- MinkaAire Internet Catalog; Bijou ceiling fan; Model F-699; printed from minkagroup.net.
- Emerson Internet Catalog; Botanica ceiling fan; Model EM-CF2500TG; printed from hansenwholesale.com.
- Emerson Internet Catalog; Devonshire ceiling fan; Model EM-CF6700B; printed from hansenwholesale.com.
- Emerson Internet Catalog; Mariol ceiling fan; Model EM-CF940WB; printed from hansenwholesale.com.

Monte Carlo Internet Catalog; Kimberly ceiling fan; Model MC-5KBR54AFD; printed from hansenwholesale.com.
 Monte Carlo Internet Catalog; Vineyard ceiling fan; Model MC-5VYR56RBD; printed from hansenwholesale.com.
 Carved alabaster bowl at Hearst Castle; photographed in late 2004 by inventor.

* cited by examiner

Primary Examiner—Lisa Lichtenstein

(74) *Attorney, Agent, or Firm*—Baker & McKenzie LLP

(57) **CLAIM**

The ornamental design for a housing, as shown and described.

DESCRIPTION

FIG. 1 is a perspective view from below of a housing in accordance with my design;

FIG. 2 is a front elevation view of the housing in accordance with my design;

FIG. 3 is an enlarged top plan view of the housing in accordance with my design;

FIG. 4 is an enlarged bottom plan view of the housing in accordance with my design;

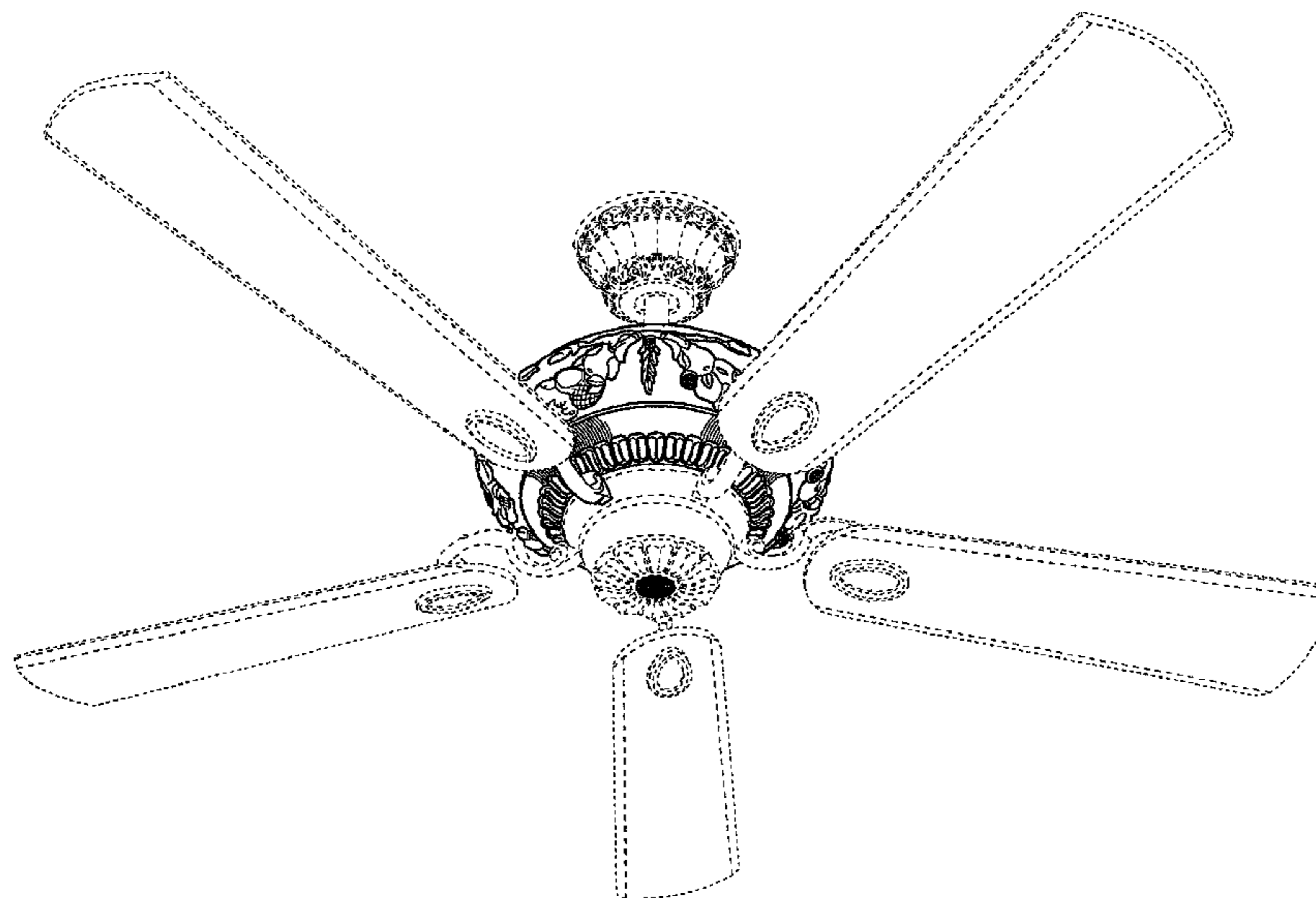
FIG. 5 is a greatly enlarged front elevation view of the housing in accordance with my design;

FIG. 6 is a greatly enlarged back elevation view of the housing in accordance with my design; and,

FIG. 7 is a greatly enlarged side elevation view of the housing in accordance with my design, the opposite view being a mirror image of that shown.

The broken line showing of a ceiling fan canopy, support pole, blade irons, switch housing and blades is included for the purpose of illustrating environmental structure and forms no part of the claimed design.

1 Claim, 4 Drawing Sheets



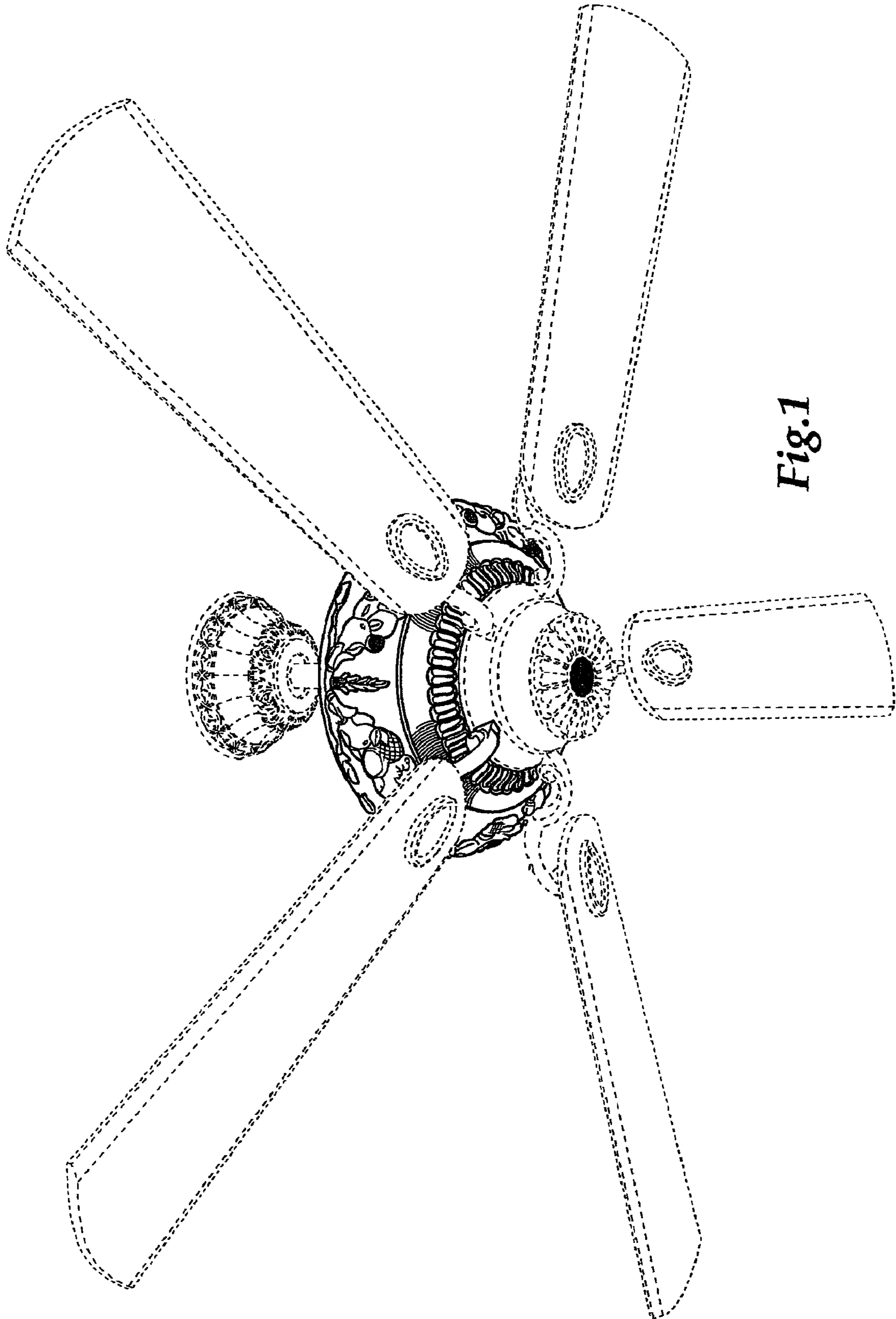


Fig.1

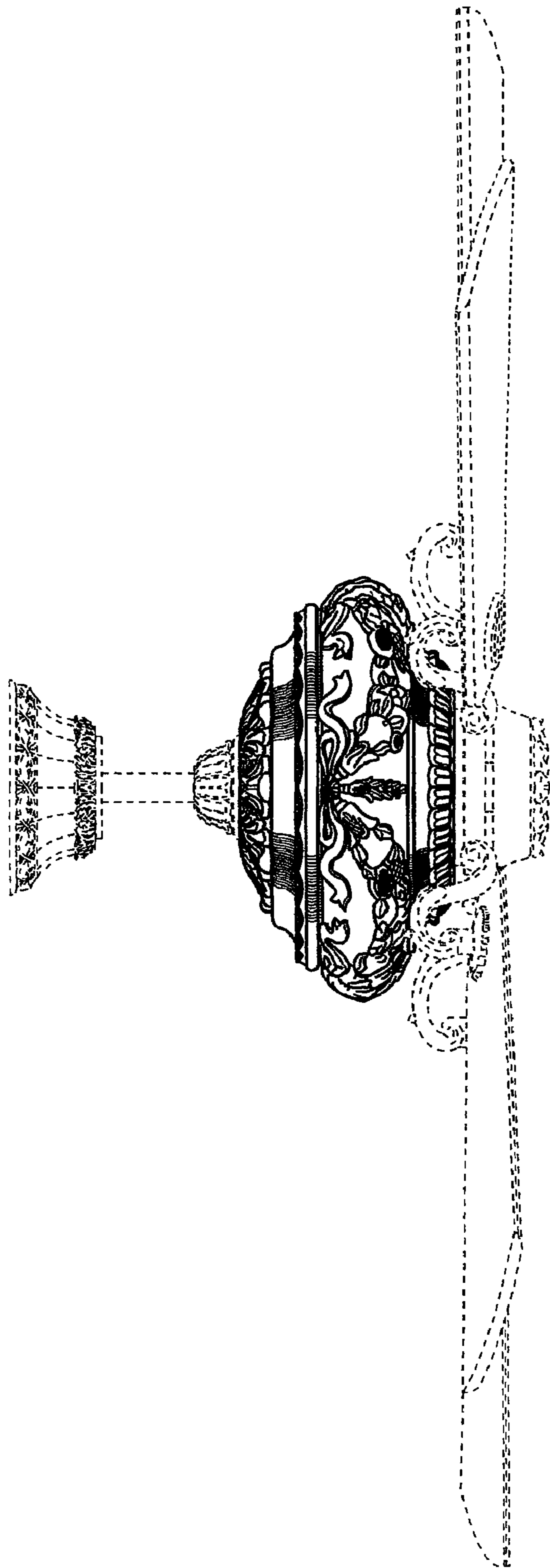


Fig.2

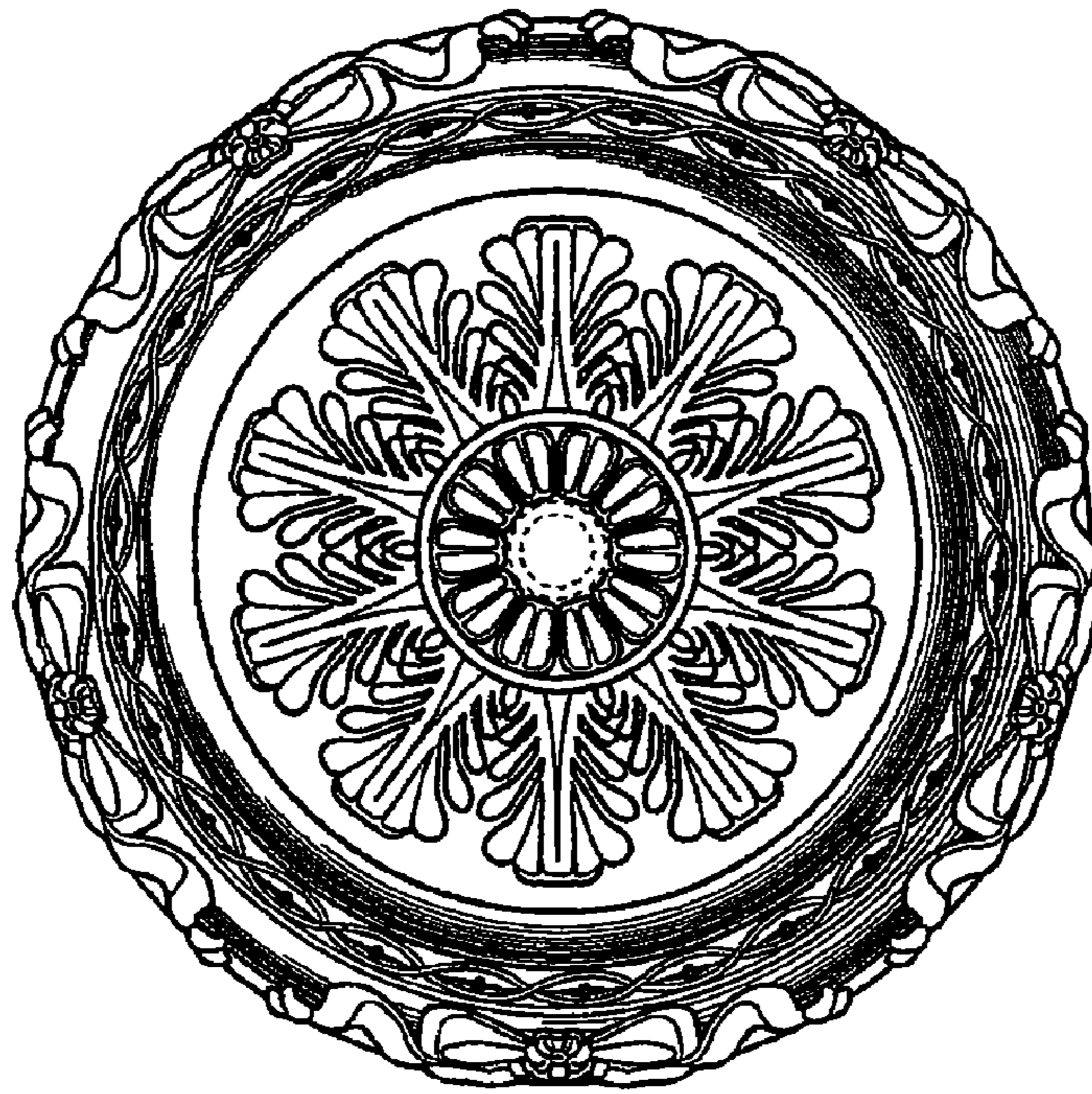


Fig.3

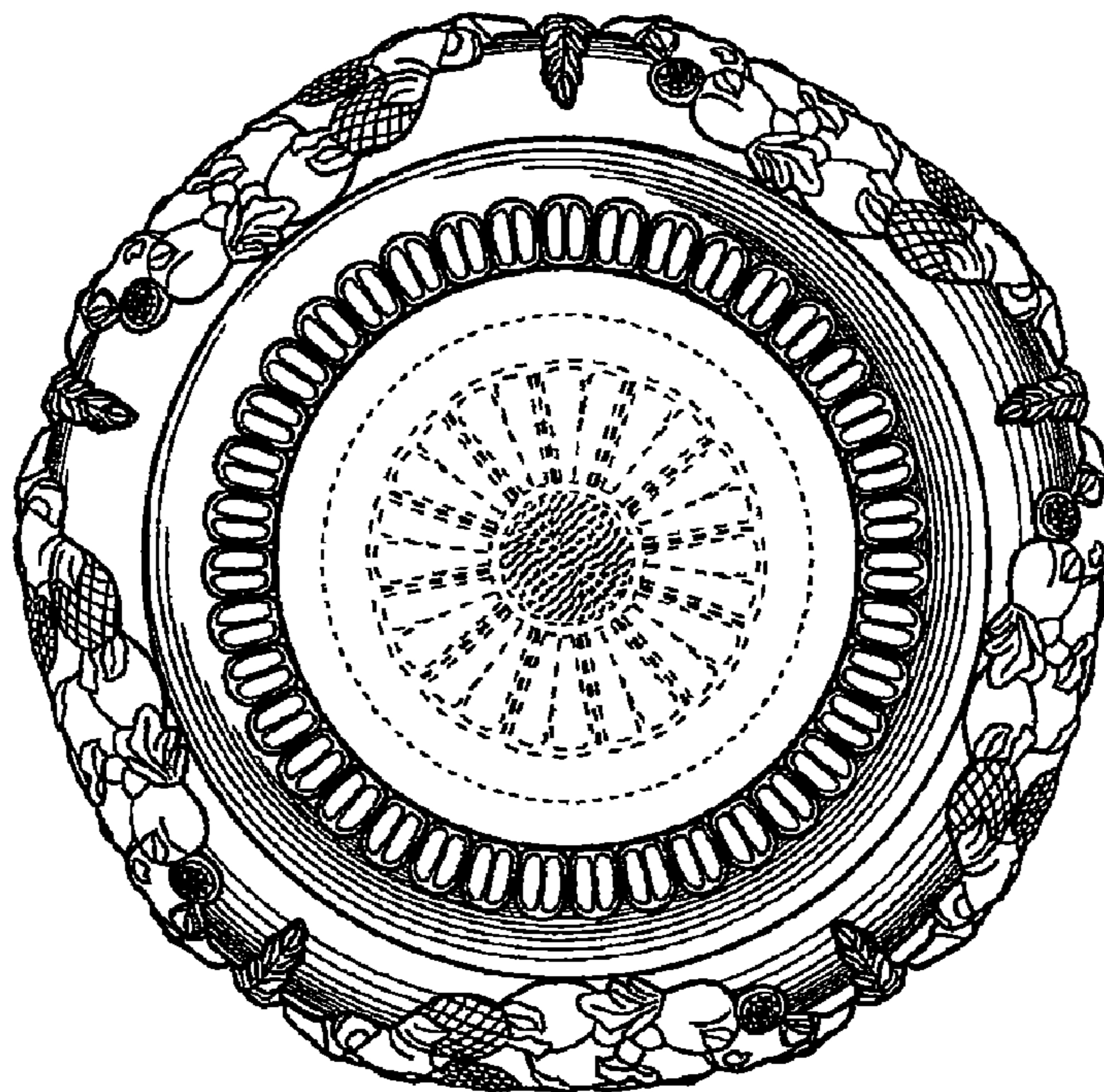


Fig.4

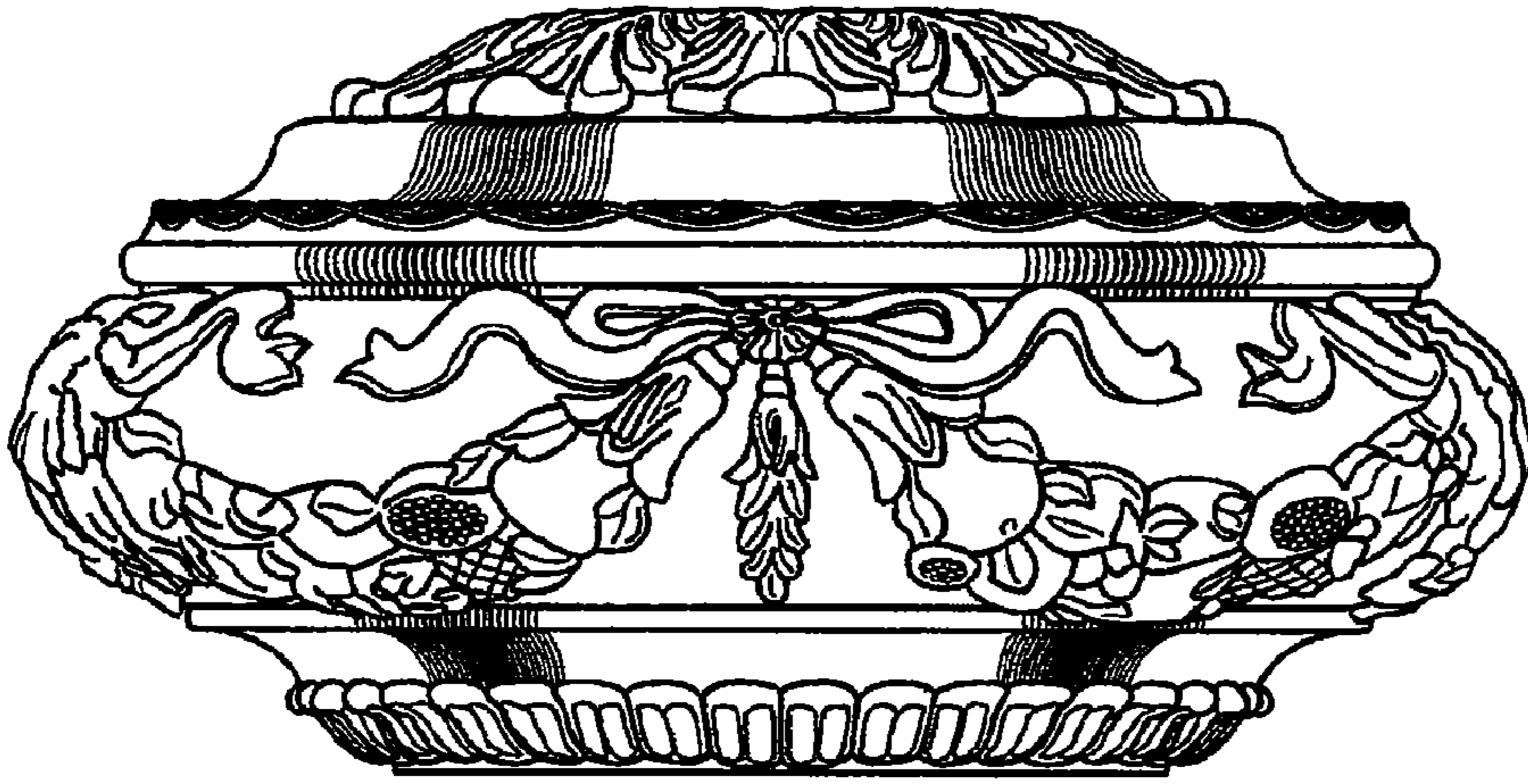


Fig.5

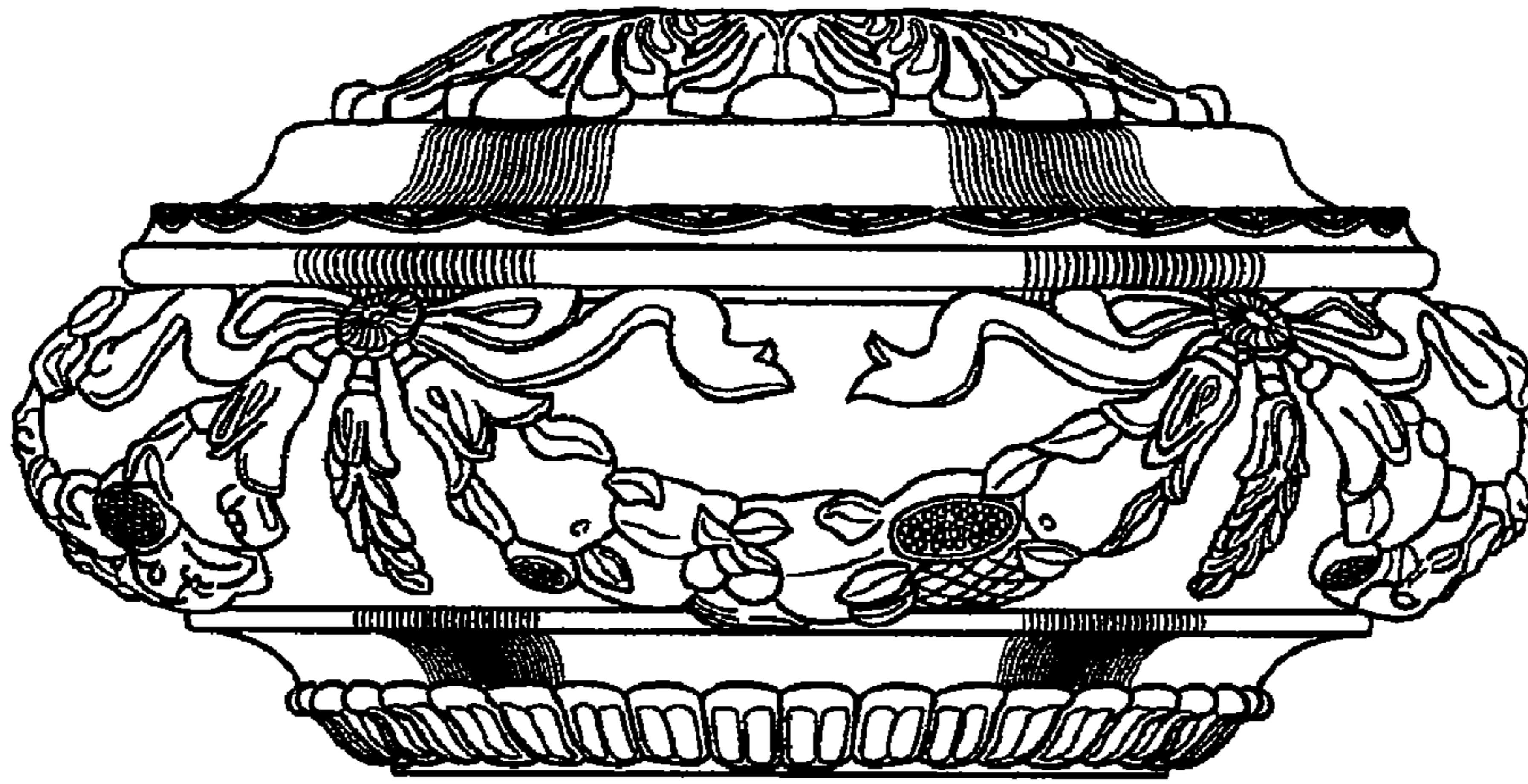


Fig.6

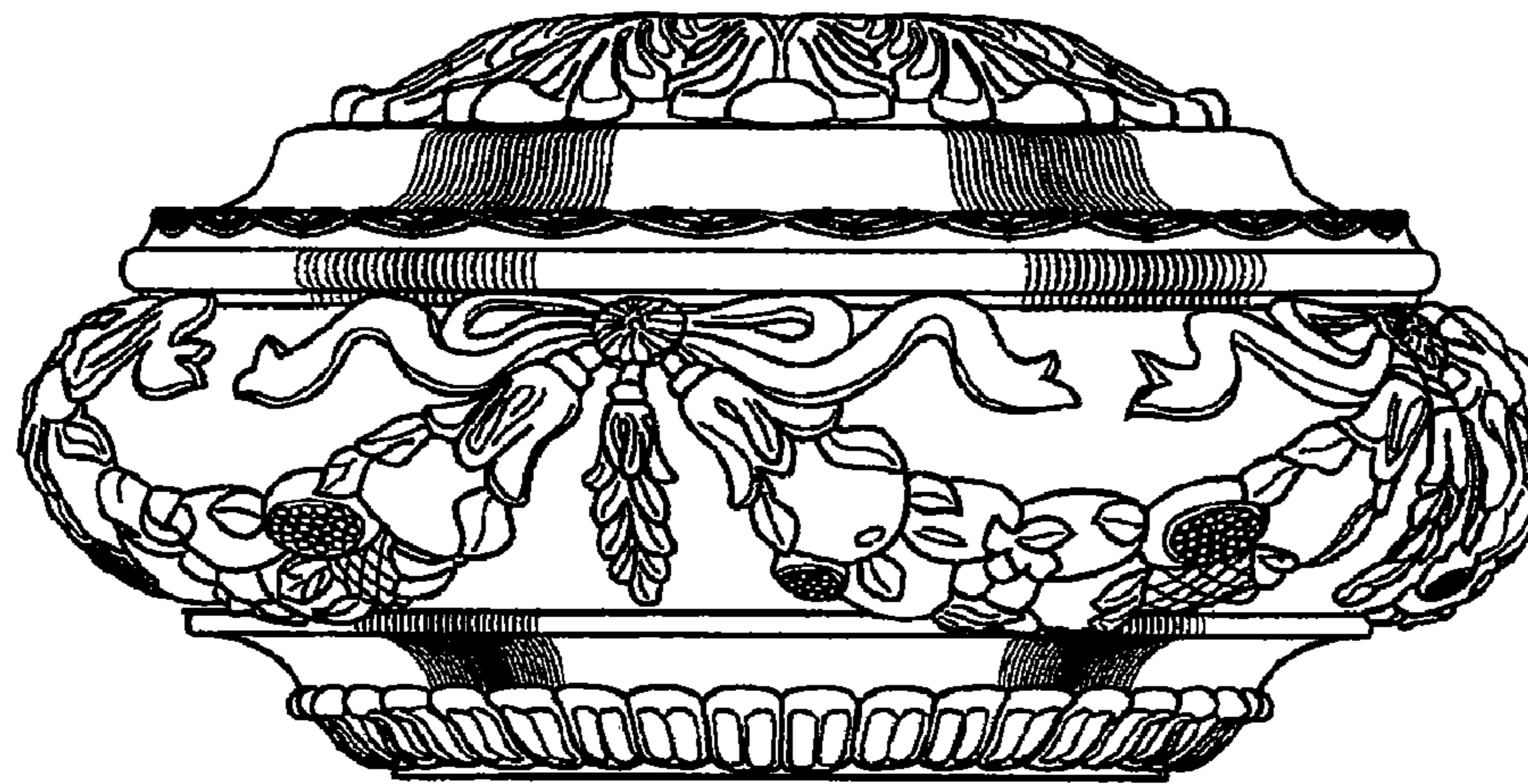


Fig.7