



US00D554741S

(12) **United States Design Patent**  
**Peterson et al.**

(10) **Patent No.:** **US D554,741 S**

(45) **Date of Patent:** **\*\* Nov. 6, 2007**

(54) **TEXTURE SPRAYER**

(75) Inventors: **Craig Peterson**, Carver, MN (US);  
**Anthony J. Torntore**, Bloomington,  
MN (US); **Ross Rossner**, St. Michael,  
MN (US)

(73) Assignee: **Wagner Spray Tech Corporation**,  
Plymouth, MN (US)

(\*\*) Term: **14 Years**

(21) Appl. No.: **29/258,773**

(22) Filed: **Apr. 26, 2006**

(51) **LOC (8) Cl.** ..... **23-01**

(52) **U.S. Cl.** ..... **D23/225**

(58) **Field of Classification Search** ..... D23/213,  
D23/225; 417/411; 222/333; 239/337,  
239/DIG. 14

See application file for complete search history.

(56) **References Cited**

U.S. PATENT DOCUMENTS

1,703,384 A *	2/1929	Birkenmaier	.....	239/301
4,863,104 A	9/1989	Masterson		
4,961,537 A	10/1990	Stern		
4,978,072 A	12/1990	Kurowski		
5,119,993 A	6/1992	Gunzel, Jr. et al.		
5,232,161 A	8/1993	Clemmons		
5,255,846 A	10/1993	Ortega		
D346,851 S *	5/1994	Howe	.....	D23/225
5,409,166 A	4/1995	Gunzel, Jr. et al.		
5,415,351 A	5/1995	Otto et al.		
5,582,350 A *	12/1996	Kosmyna et al.	.....	239/345
5,590,816 A *	1/1997	Bertram et al.	.....	222/135
5,727,736 A	3/1998	Tryon		
5,803,360 A	9/1998	Spitznagel		
5,810,258 A	9/1998	Wu		
5,918,815 A	7/1999	Wu		
5,979,797 A	11/1999	Castellano		
6,012,651 A	1/2000	Spitznagel		

6,053,436 A	4/2000	Morford		
6,070,809 A	6/2000	Price		
6,092,740 A	7/2000	Liu		
6,105,882 A	8/2000	Woltjen		
6,168,093 B1	1/2001	Greer, Jr. et al.		
6,213,410 B1	4/2001	Spitznagel		
6,536,684 B1	3/2003	Wei		
D477,384 S *	7/2003	Williams et al.	.....	D23/225
6,712,292 B1	3/2004	Gosis et al.		
6,726,125 B1	4/2004	Nonis et al.		
6,863,227 B2	3/2005	Wollenberg et al.		
6,945,429 B2 *	9/2005	Gosis et al.	.....	222/105
2003/0010843 A1	1/2003	Liao		

OTHER PUBLICATIONS

Instruction-Parts List for Texture Spray Gun, Graco Inc., 2 pp., 1998.

Product Information, "Cleaning/Paint Supplies—Homax Pneumatic II Spray Texture Gun (4610)," Ace Hardware, <http://www.acehardware.com>, 1 pg., 2005.

(Continued)

*Primary Examiner*—Robin Webster

(74) *Attorney, Agent, or Firm*—Faegre & Benson LLP

(57) **CLAIM**

The ornamental design for a texture sprayer, as shown.

**DESCRIPTION**

FIG. 1 is a perspective view of a texture sprayer showing our new design;

FIG. 2 is a left side thereof;

FIG. 3 is a right side thereof;

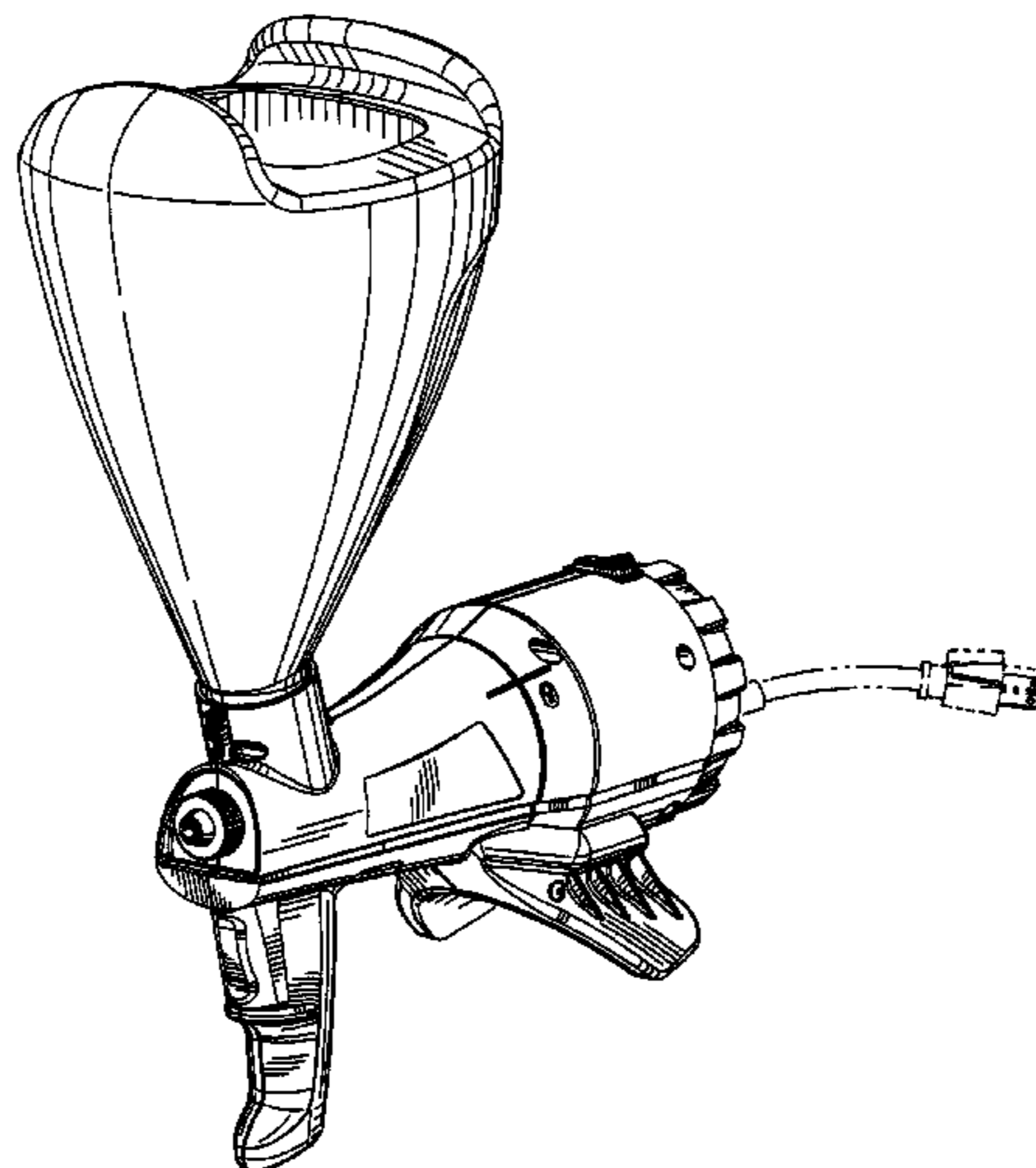
FIG. 4 is a front elevation view thereof;

FIG. 5 is rear elevation view thereof;

FIG. 6 is a top plan view thereof; and,

FIG. 7 is a bottom plan view thereof.

**1 Claim, 7 Drawing Sheets**



OTHER PUBLICATIONS

Product Information, "Compressor Care on the Web-Paint Spraying Sandblast Blowguns," <http://www.compressor-care.com>, 2 pp. Jun. 23, 2005.

Product Information, "Painting-Air Texture Gun Sprays Liquid Drywall Materials," NORTHERN TOOL + EQUIPMENT, <http://www.northerntool.com>, 2 pp. Jun. 23, 2005.

Product Information- "Discount Air Texture Spray Gun," FRONT RANGE TOOL WAREHOUSE, <http://www.dropshipdiscounttools.com>, 1 pp. Jun. 23, 2005.

Product Information, "Graco Professional Hopper Gun," O-GEE PAINT CO., <http://www.o-geepaint.com>, 2 pp. Jun. 23, 2005.

\* cited by examiner

FIG. 1

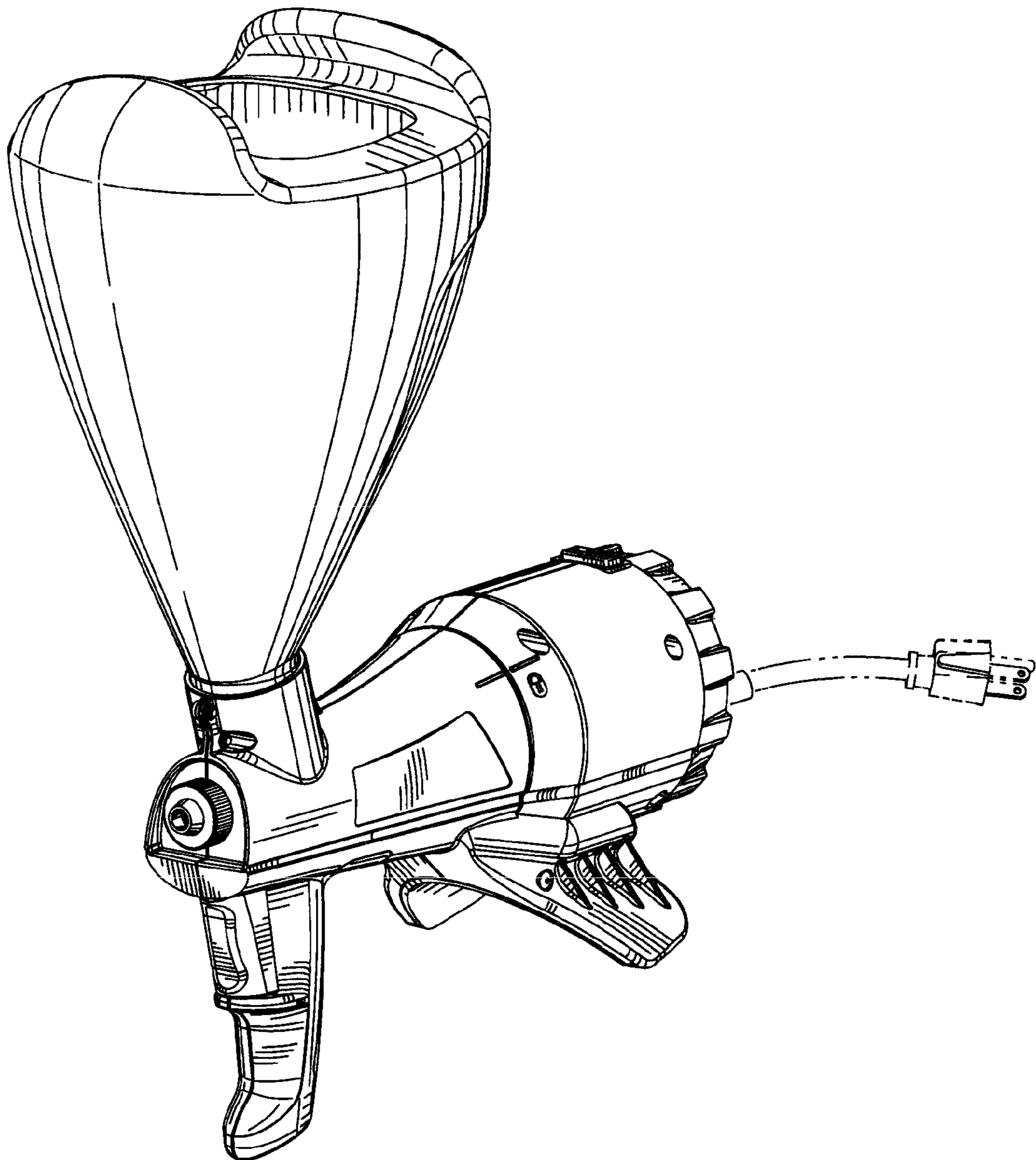


FIG. 2

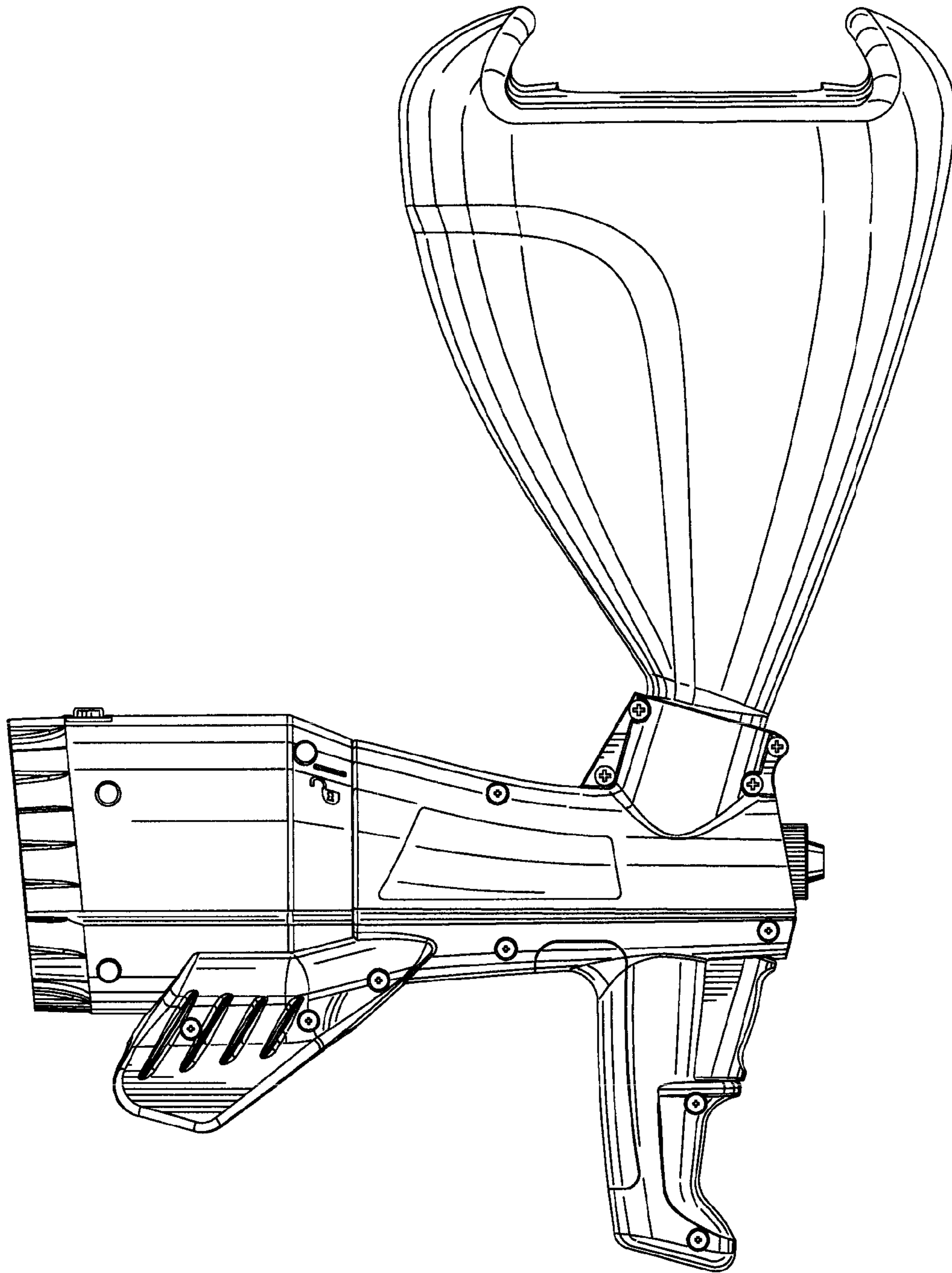




FIG. 3

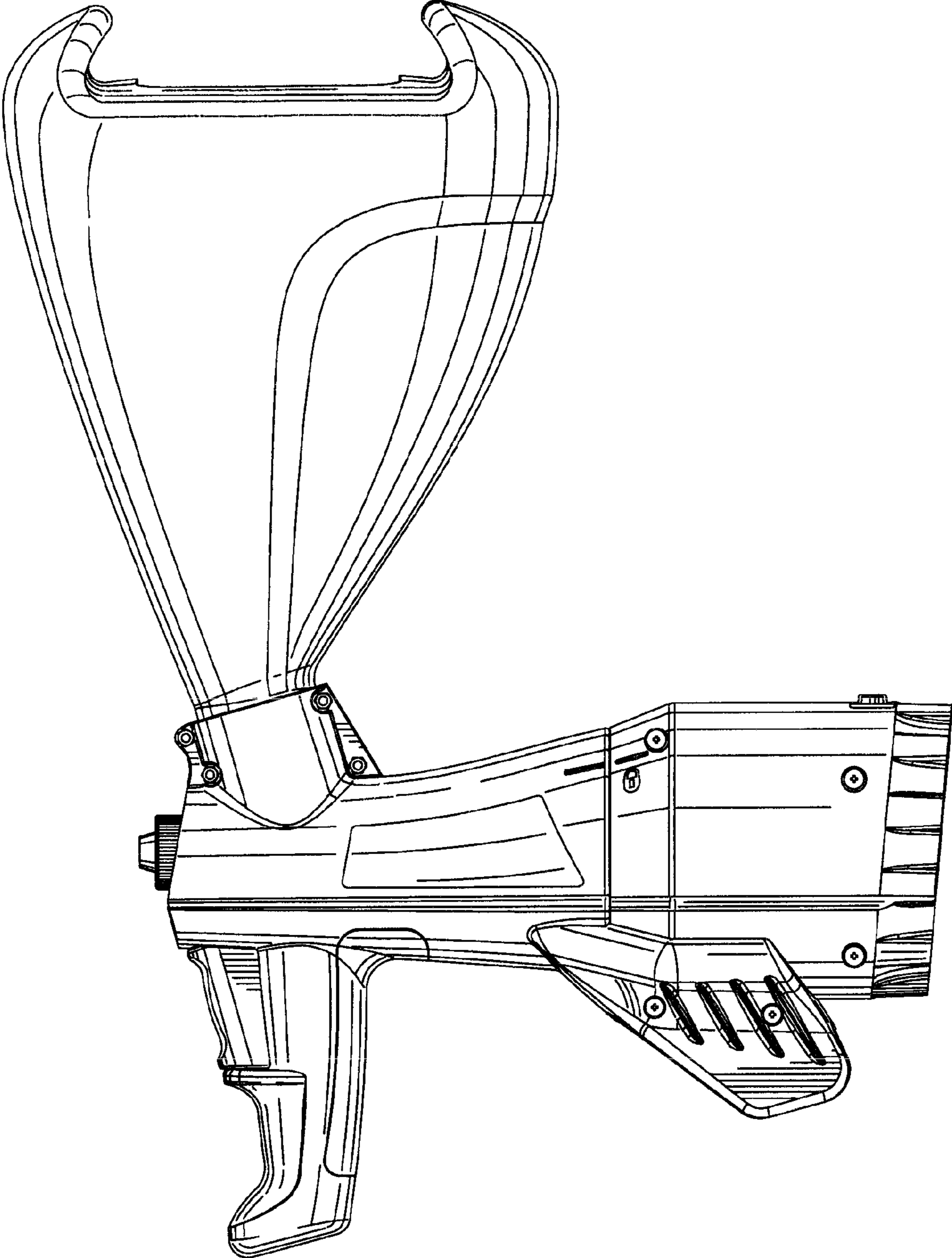


FIG. 4

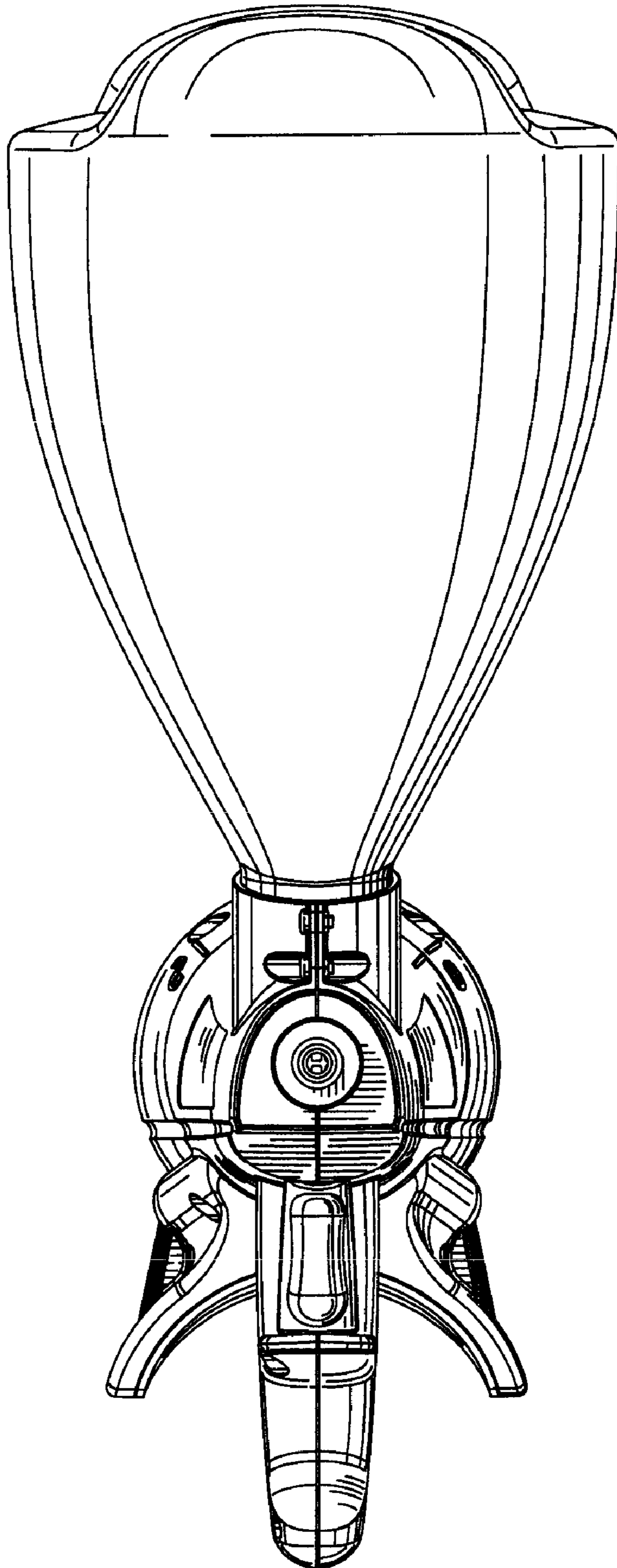


FIG. 5

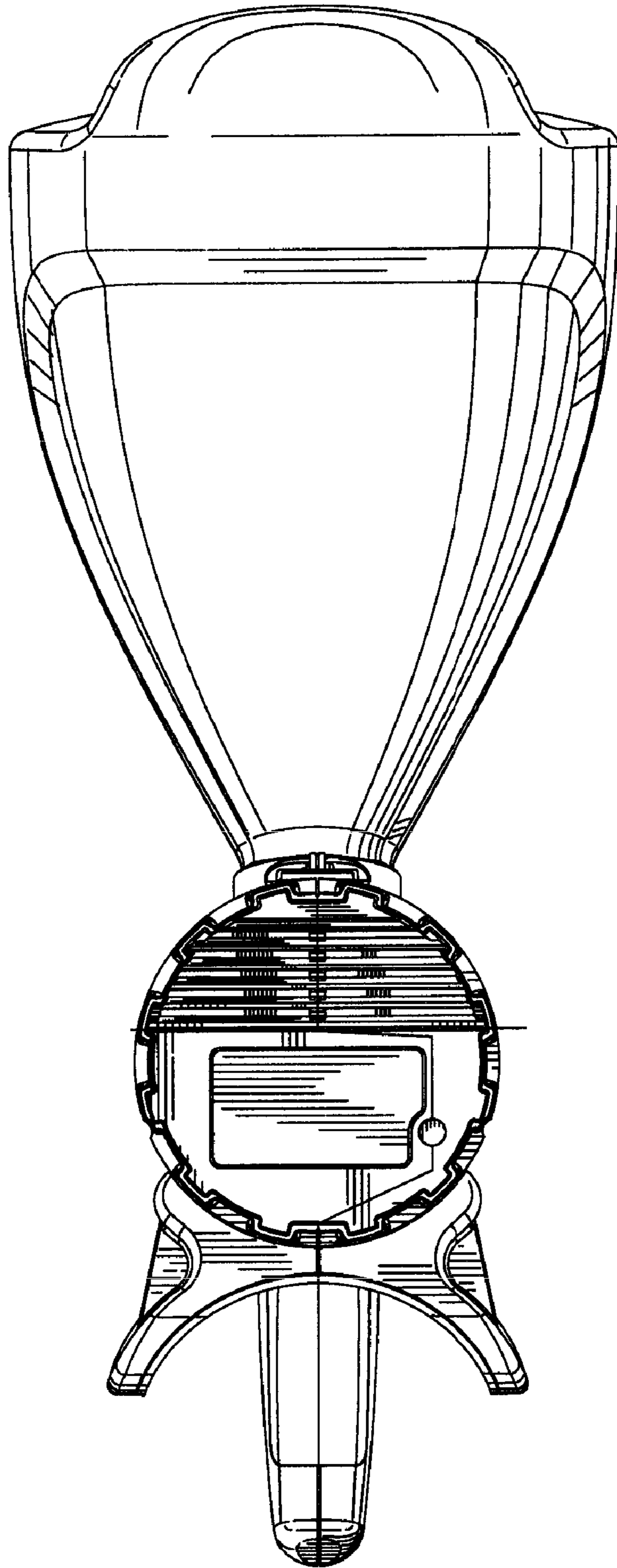


FIG. 6

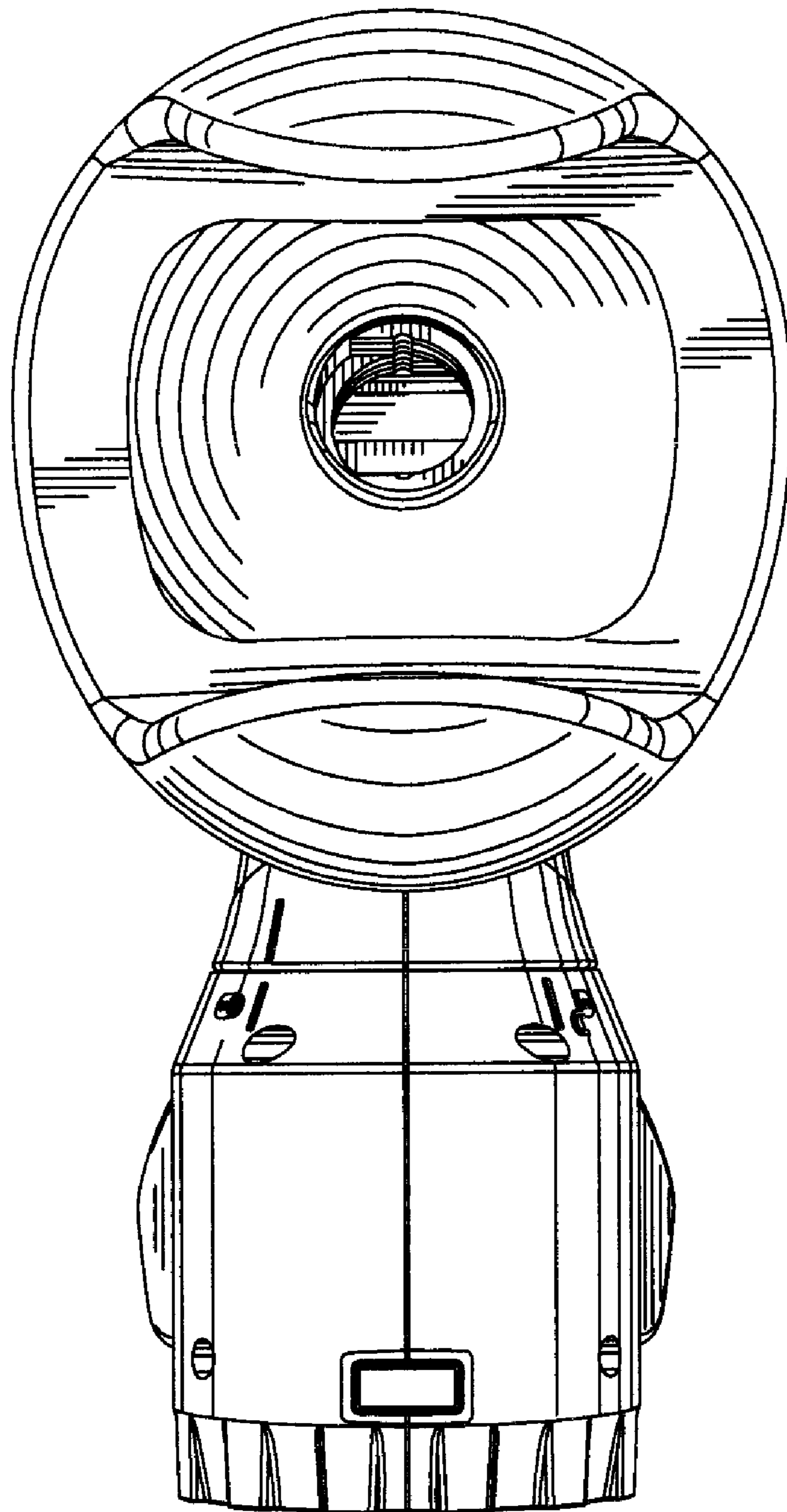




FIG. 7

