



US00D554739S

(12) **United States Design Patent** (10) **Patent No.:** **US D554,739 S**  
**Lo** (45) **Date of Patent:** **\*\* Nov. 6, 2007**

(54) **SPRINKLER BASE**

(75) Inventor: **Shun Nan Lo**, Changhua Hsien (TW)

(73) Assignee: **Yuan Mei Corp.**, Changhua Hsien (TW)

(\*\*) Term: **14 Years**

(21) Appl. No.: **29/261,183**

(22) Filed: **Jun. 9, 2006**

(51) **LOC (8) Cl.** ..... **23-01**

(52) **U.S. Cl.** ..... **D23/221**

(58) **Field of Classification Search** ..... D23/213,  
D23/214, 216, 221; 239/242, 273, 276  
See application file for complete search history.

(56) **References Cited**

**U.S. PATENT DOCUMENTS**

D371,596 S *	7/1996	Simonetti	.....	D23/216
5,667,928 A *	9/1997	Thomas et al.	.....	239/242
5,938,122 A *	8/1999	Heren et al.	.....	239/242
D440,629 S *	4/2001	Guo	.....	D23/216
6,478,241 B1 *	11/2002	Guo	.....	239/562
D469,849 S *	2/2003	Nien	.....	D23/216
D479,574 S *	9/2003	Nien	.....	D23/216
D500,122 S *	12/2004	Schapper	.....	D23/221

\* cited by examiner

*Primary Examiner*—Robin Webster

(74) *Attorney, Agent, or Firm*—Troxell Law Office, PLLC

(57) **CLAIM**

The ornamental design for the “sprinkler base,” as shown and described.

**DESCRIPTION**

FIG. 1 is a perspective view of a sprinkler base showing my new design;

FIG. 2 is a front view thereof;

FIG. 3 is a rear view thereof;

FIG. 4 is a left side view thereof;

FIG. 5 is a right side view thereof;

FIG. 6 is a top view thereof;

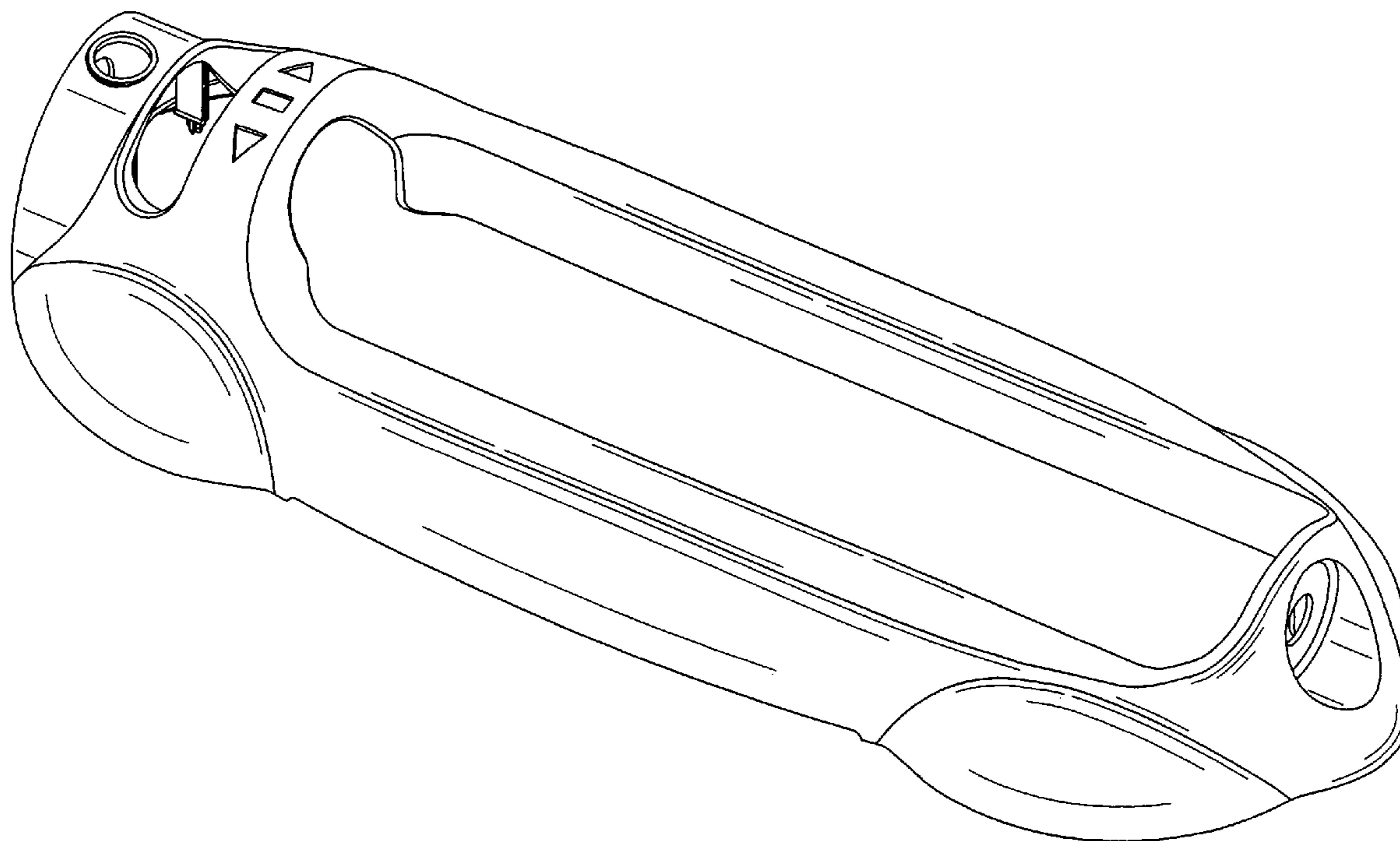
FIG. 7 is a bottom view thereof;

FIG. 8 is a diagram showing the operation status of the first sprinkler mounted to the base thereof; and,

FIG. 9 is a diagram showing the operation status of the second sprinkler mounted to the base thereof.

The broken line showing is included for the purpose of illustrating and forms no part of the claimed design.

**1 Claim, 8 Drawing Sheets**



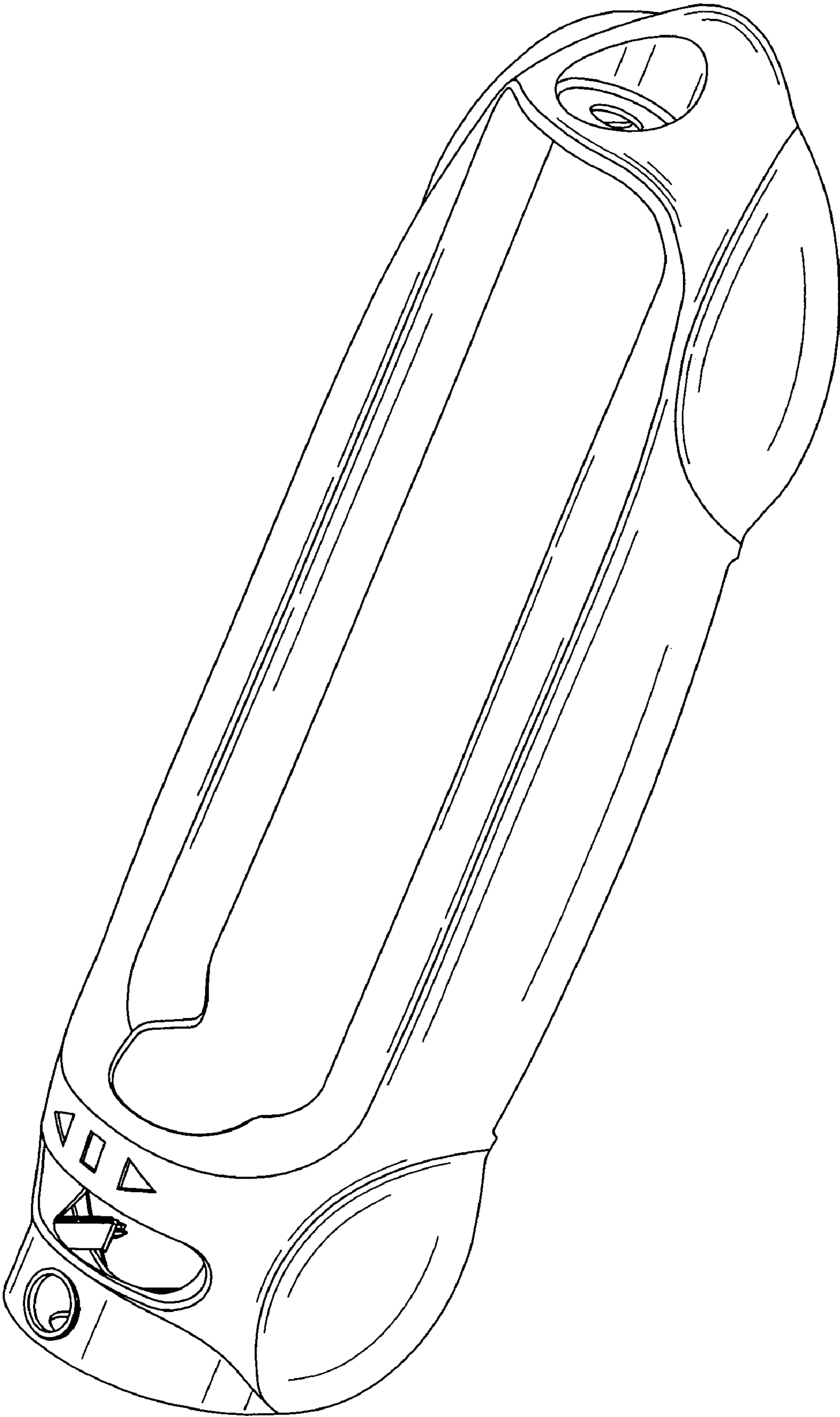


FIG. 1

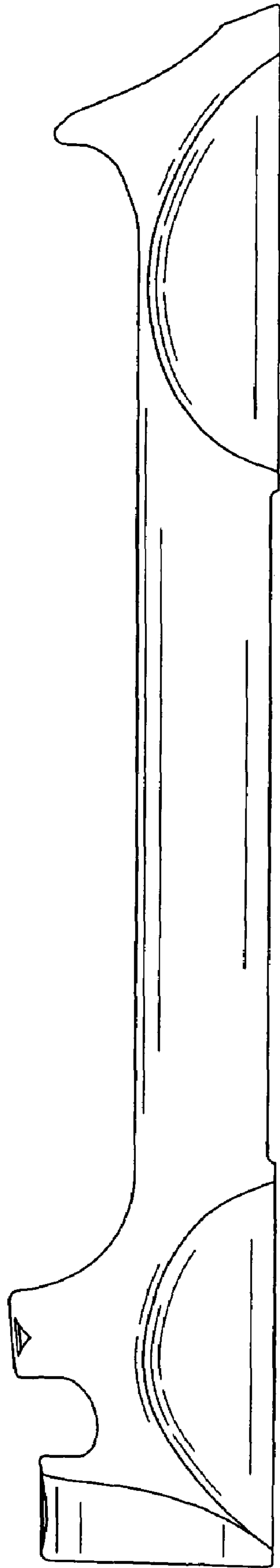


FIG. 2

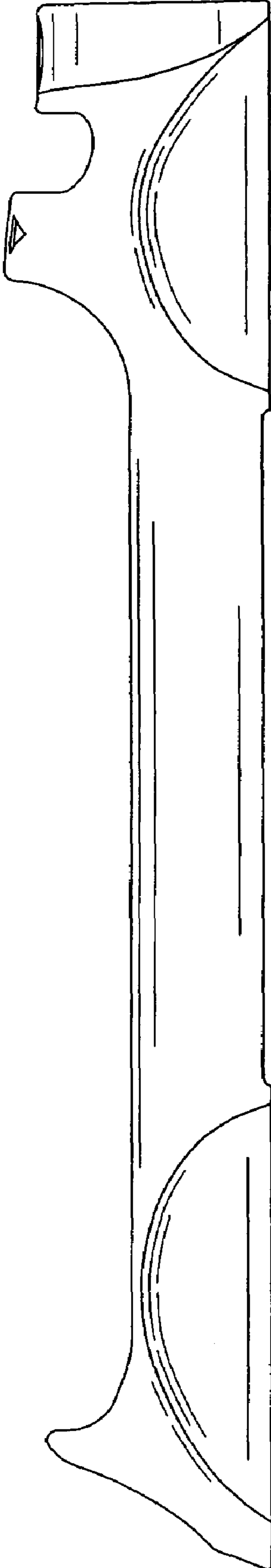
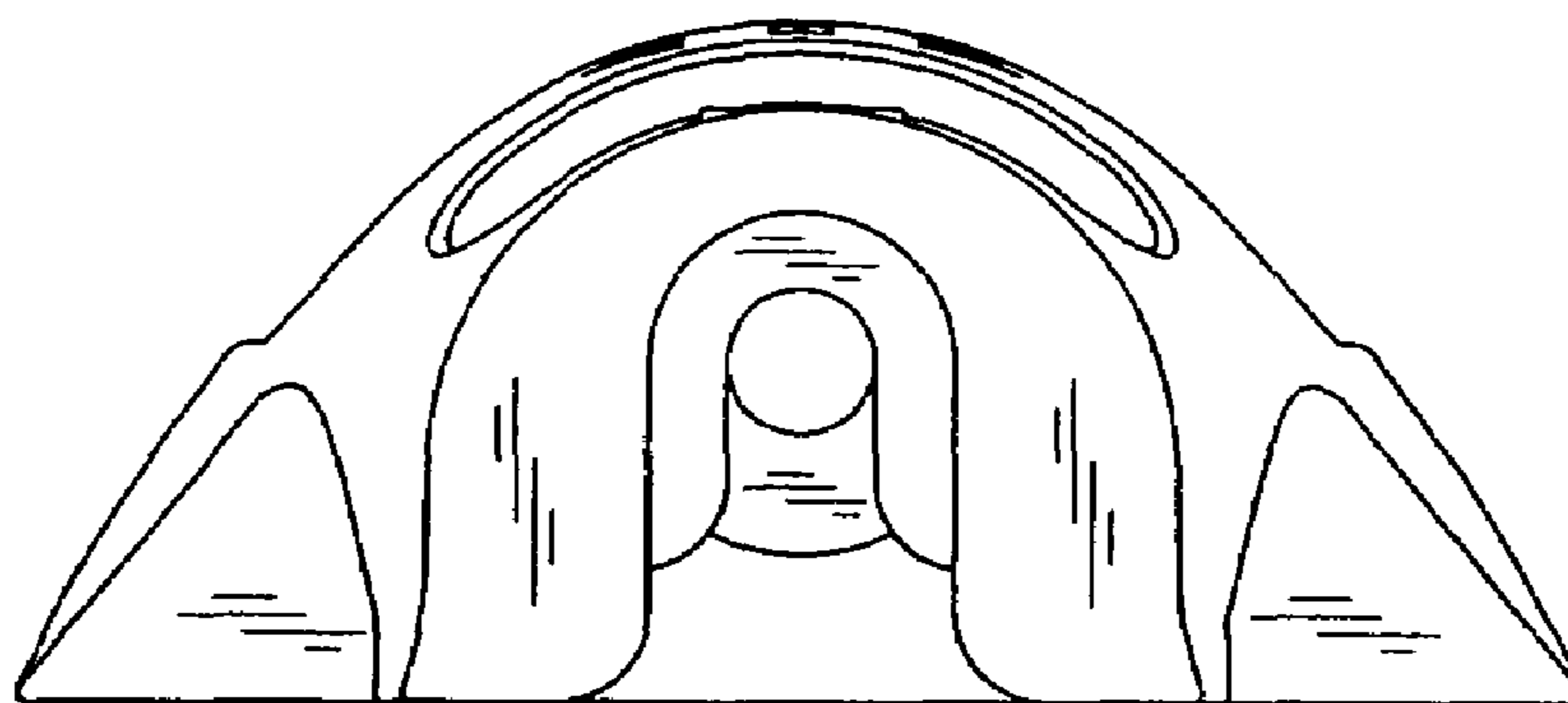
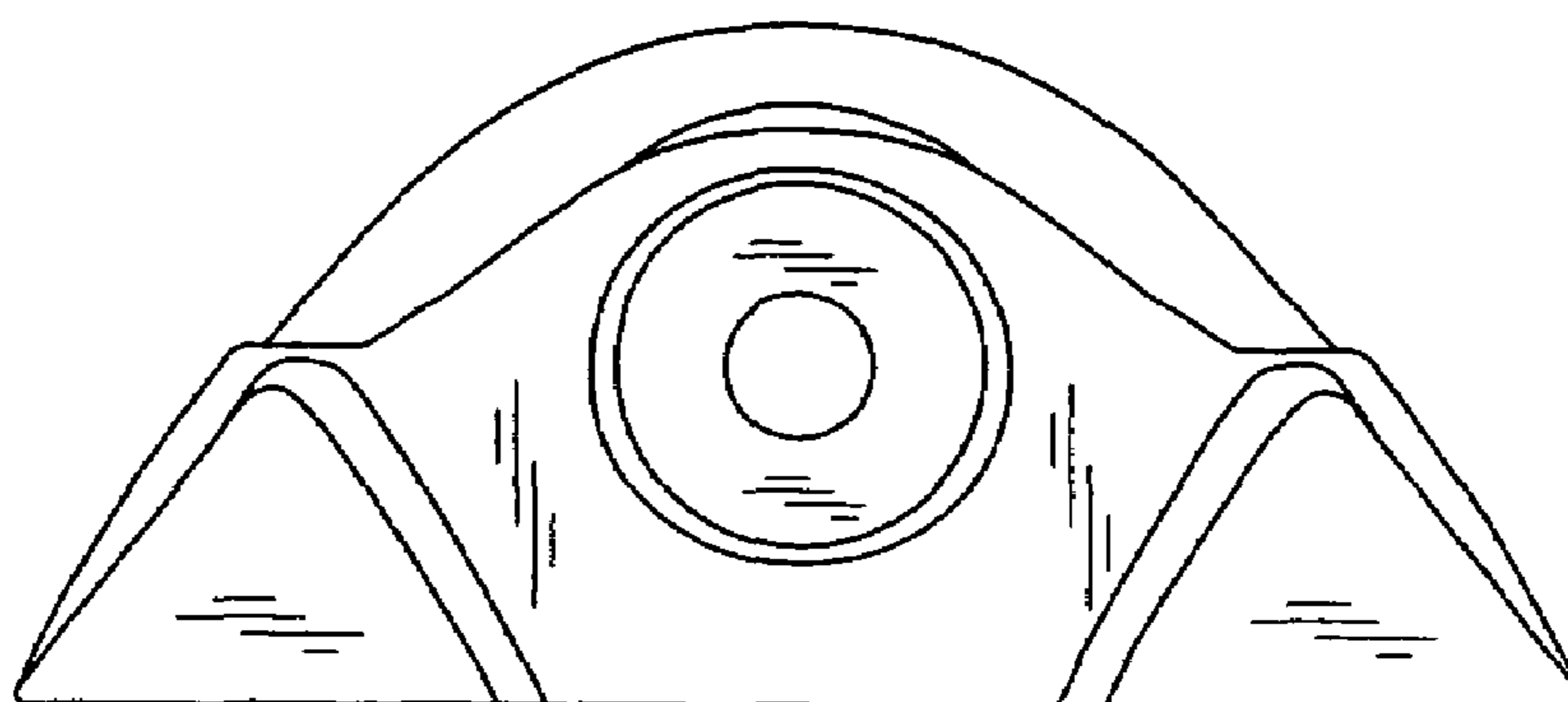


FIG. 3



**FIG. 4**



**FIG. 5**

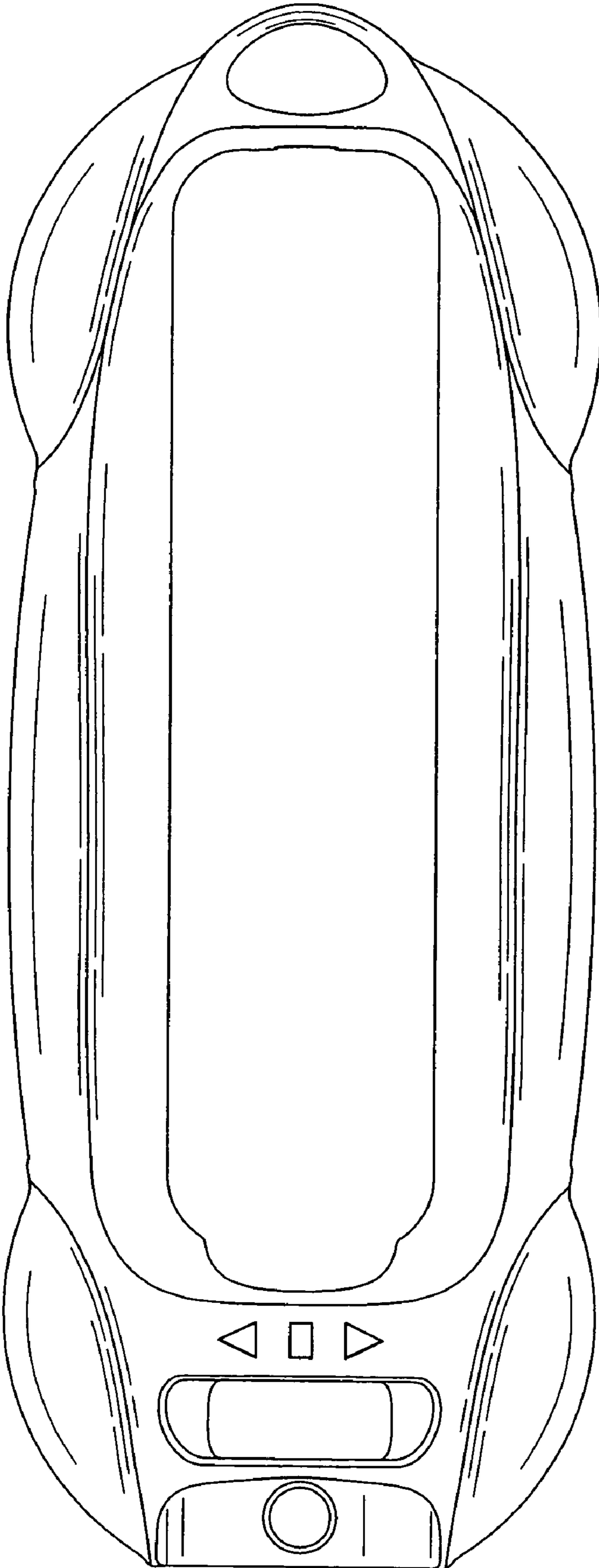


FIG. 6

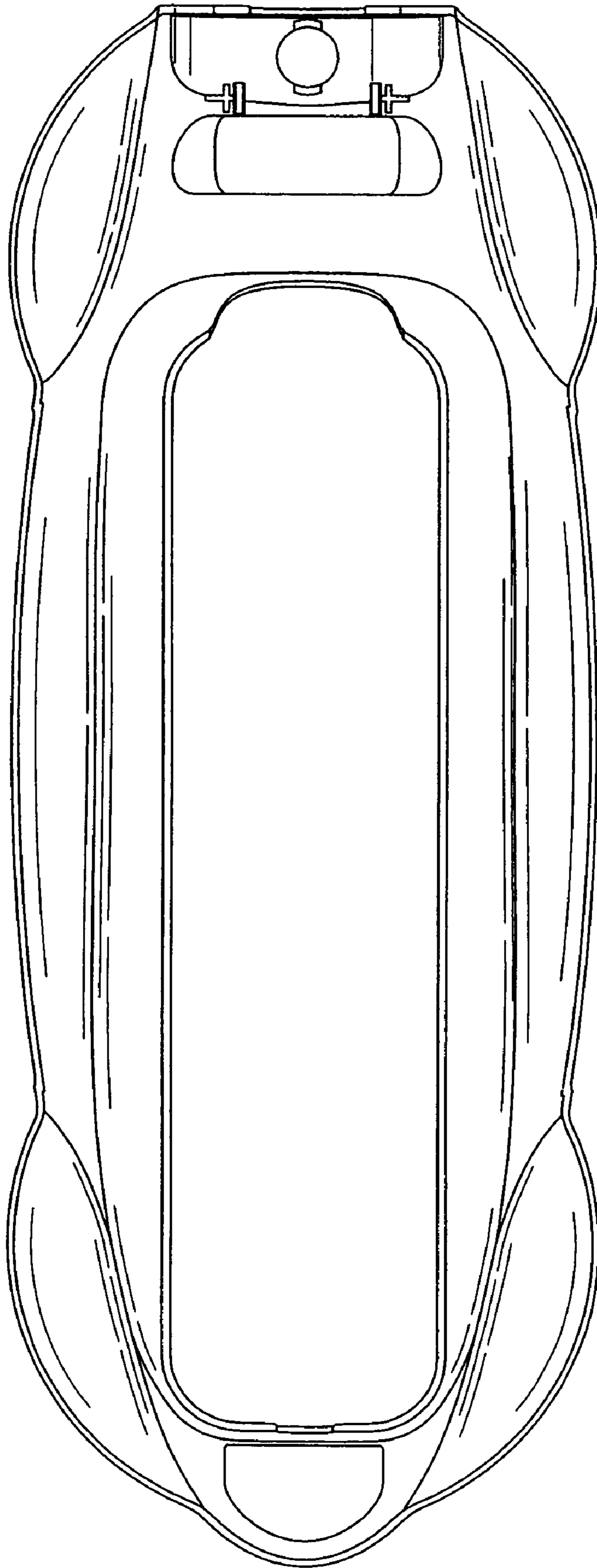


FIG. 7

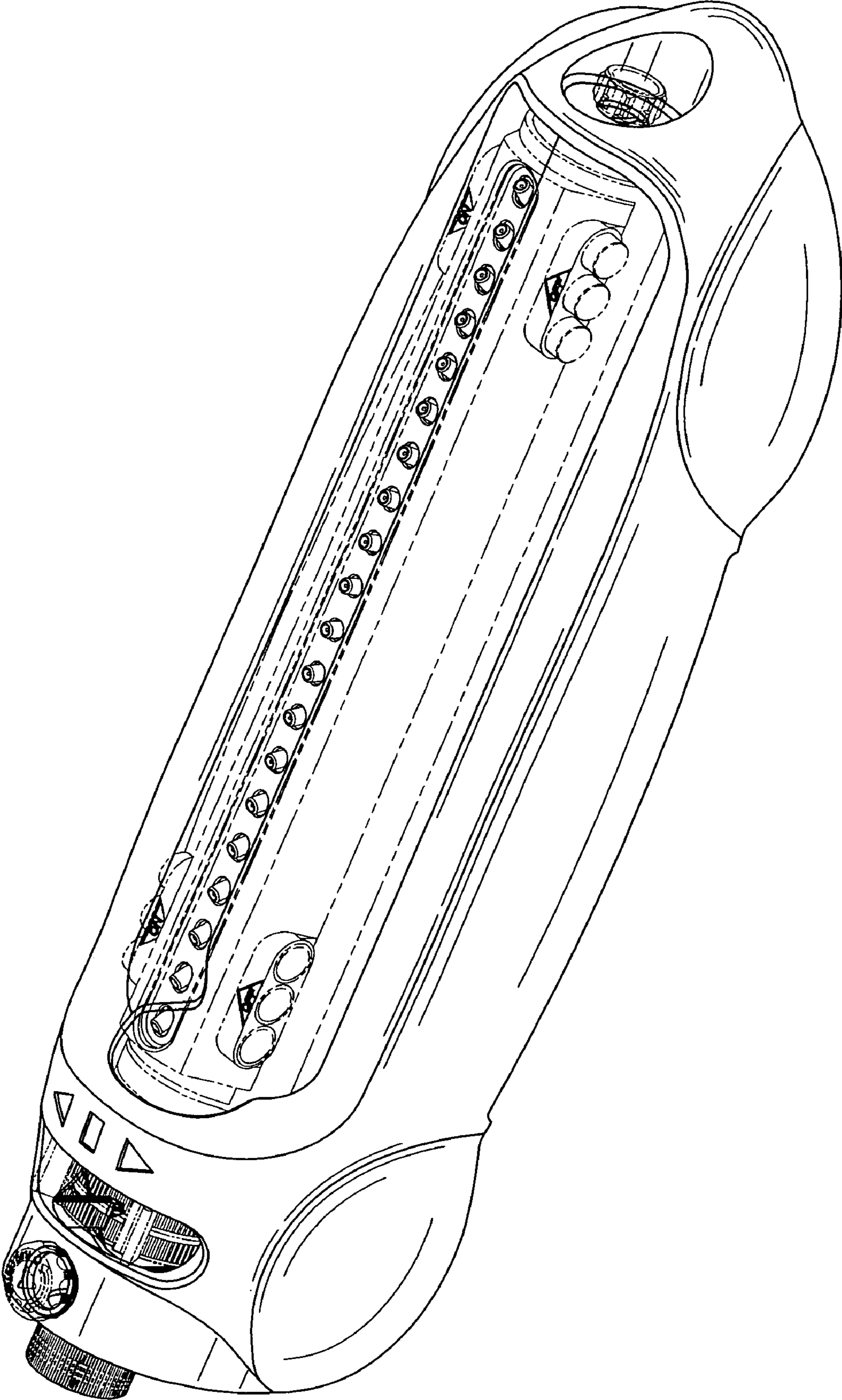


FIG. 8



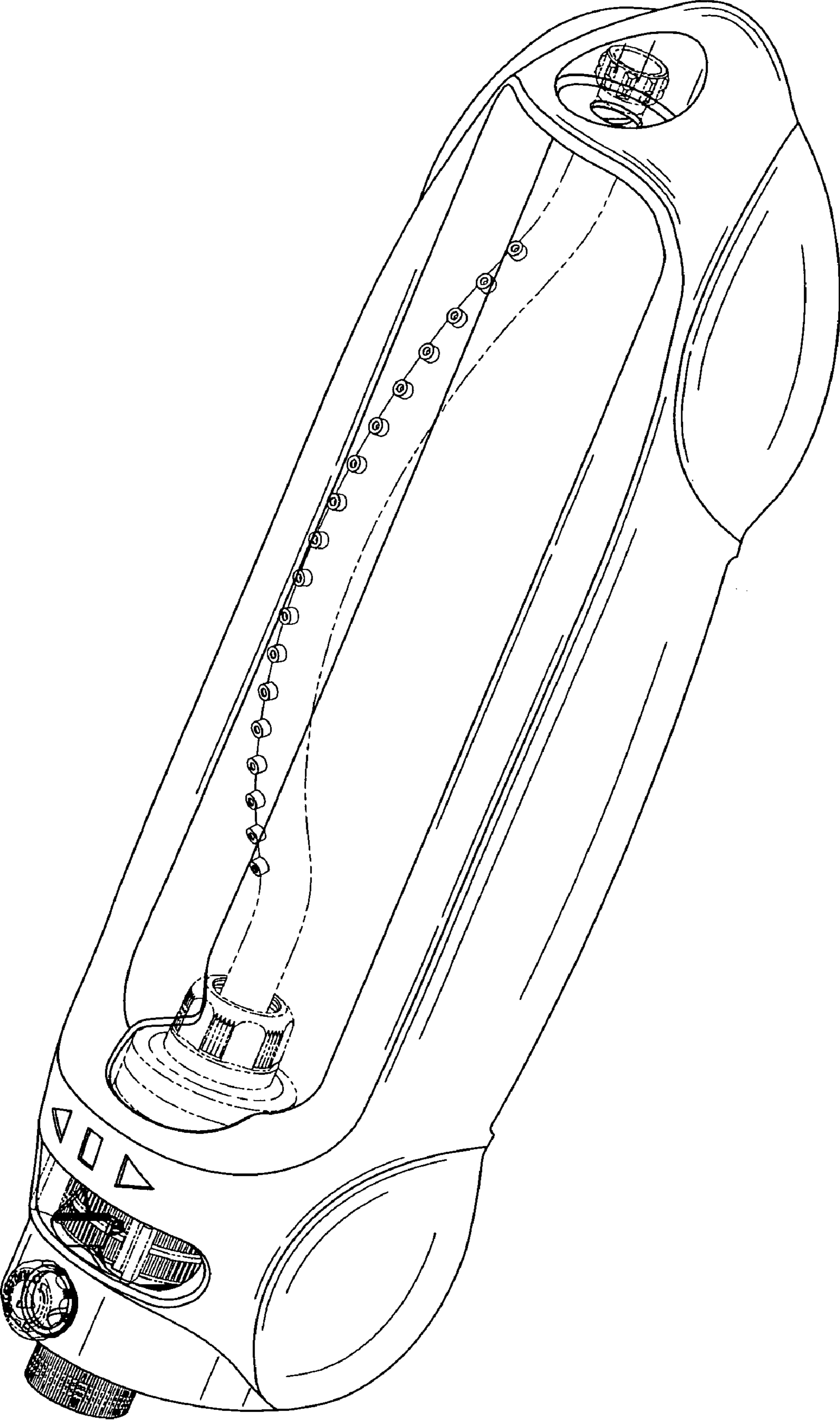


FIG. 9