



US00D554738S

(12) **United States Design Patent** (10) **Patent No.:** **US D554,738 S**
Lo (45) **Date of Patent:** **** Nov. 6, 2007**

(54) **SPRINKLER BASE**

(75) Inventor: **Shun Nan Lo**, Changhua Hsien (TW)

(73) Assignee: **Yuan Mei Corp.**, Changhua Hsien (TW)

(**) Term: **14 Years**

(21) Appl. No.: **29/261,182**

(22) Filed: **Jun. 9, 2006**

(51) **LOC (8) Cl.** **23-01**

(52) **U.S. Cl.** **D23/221**

(58) **Field of Classification Search** D23/213,
D23/214, 216, 221; 239/242, 273, 276
See application file for complete search history.

(56) **References Cited**

U.S. PATENT DOCUMENTS

- D242,706 S * 12/1976 Elek D23/221
- D501,535 S * 2/2005 Wang D23/214
- D510,405 S * 10/2005 Sener et al. D23/221

* cited by examiner

Primary Examiner—Robin Webster
(74) *Attorney, Agent, or Firm*—Troxell Law Office, PLLC

(57) **CLAIM**

The ornamental design for the “sprinkler base,” as shown and described.

DESCRIPTION

FIG. 1 is a perspective view of a sprinkler base showing my new design;

FIG. 2 is a front view thereof;

FIG. 3 is a rear view thereof;

FIG. 4 is a left side view thereof;

FIG. 5 is a right side view thereof;

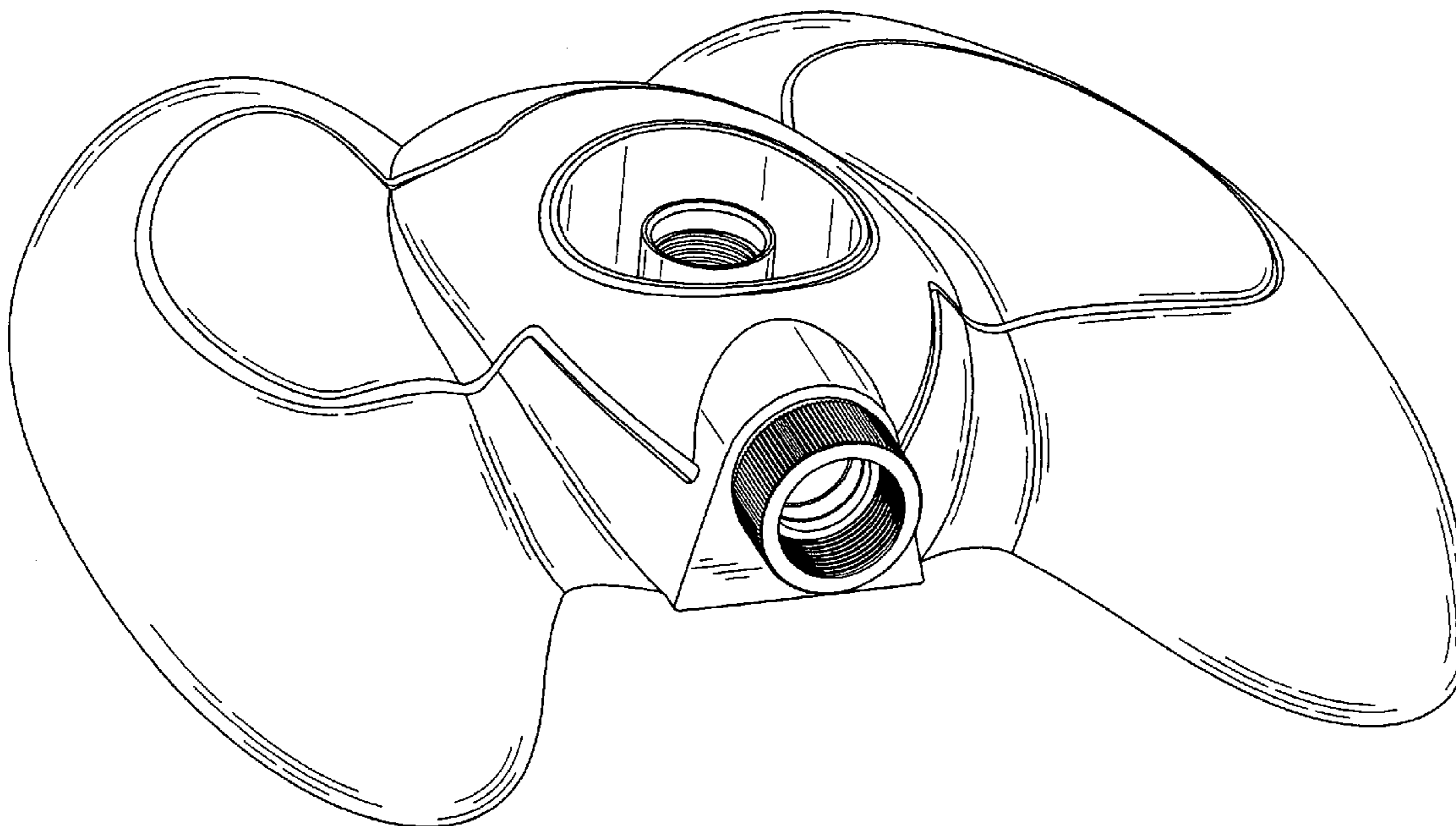
FIG. 6 is a top view thereof;

FIG. 7 is a bottom view thereof; and,

FIG. 8 is a diagram showing the operation status of the sprinkler mounted to the base thereof.

The broken line showing is included for the purpose of illustrating and forms no part of the claimed design.

1 Claim, 8 Drawing Sheets



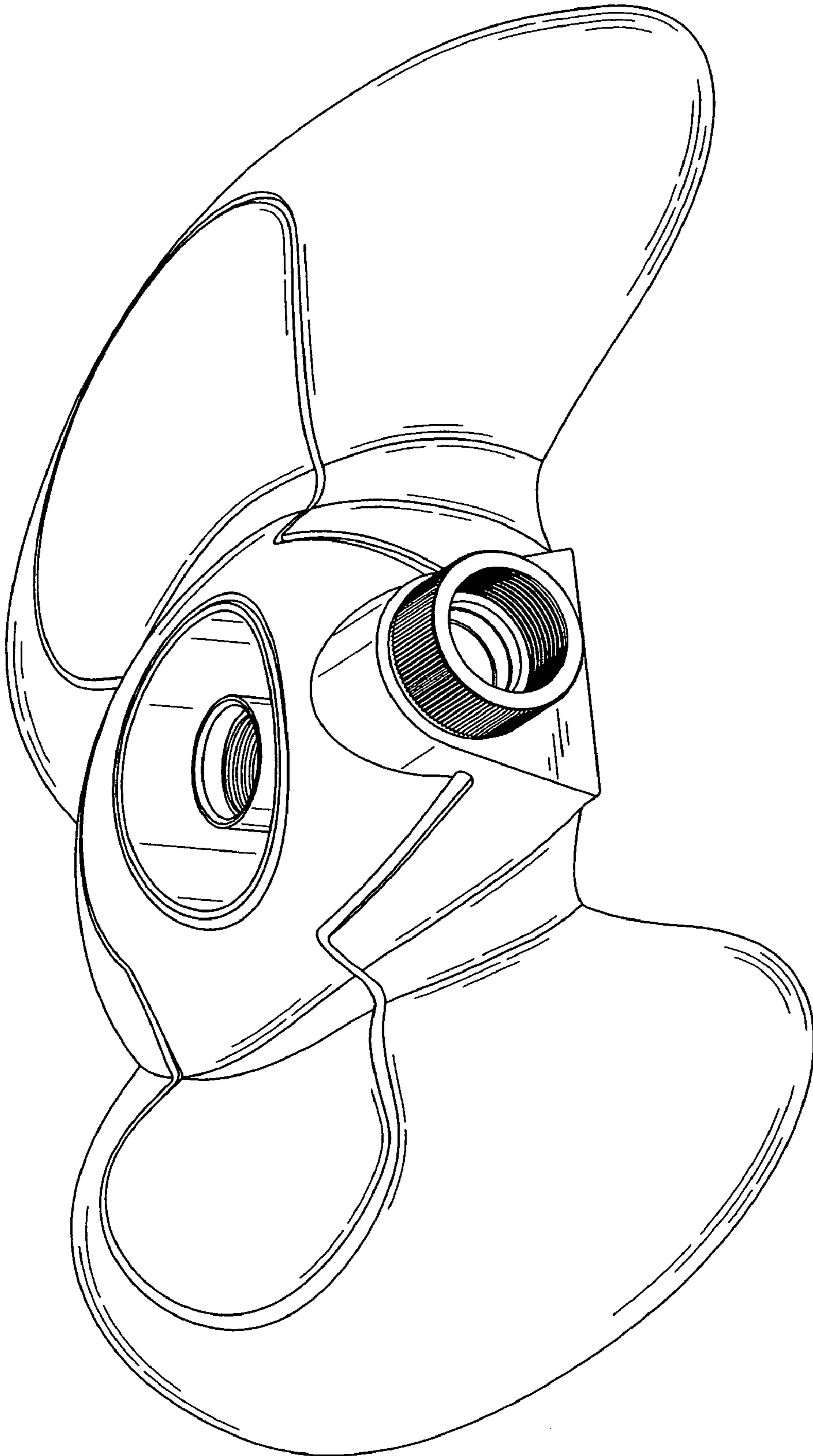


FIG. 1

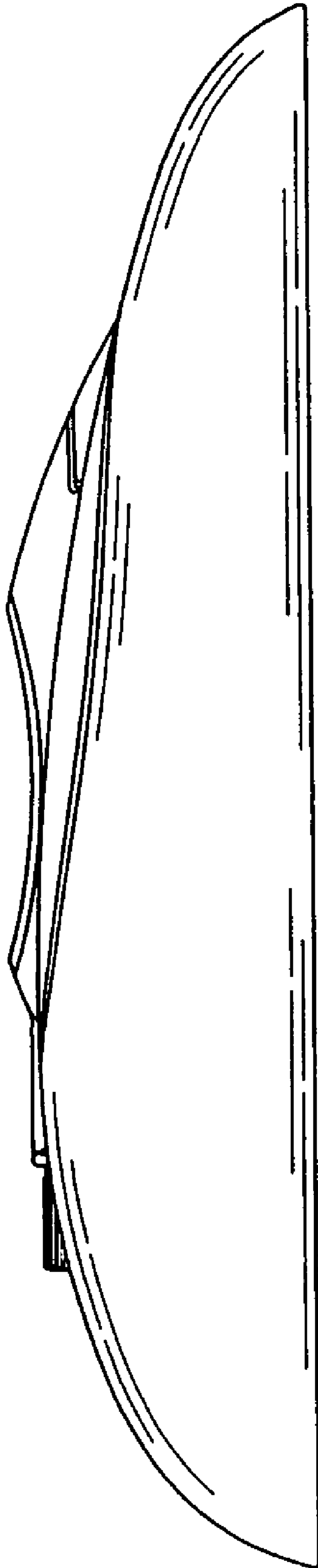


FIG. 2

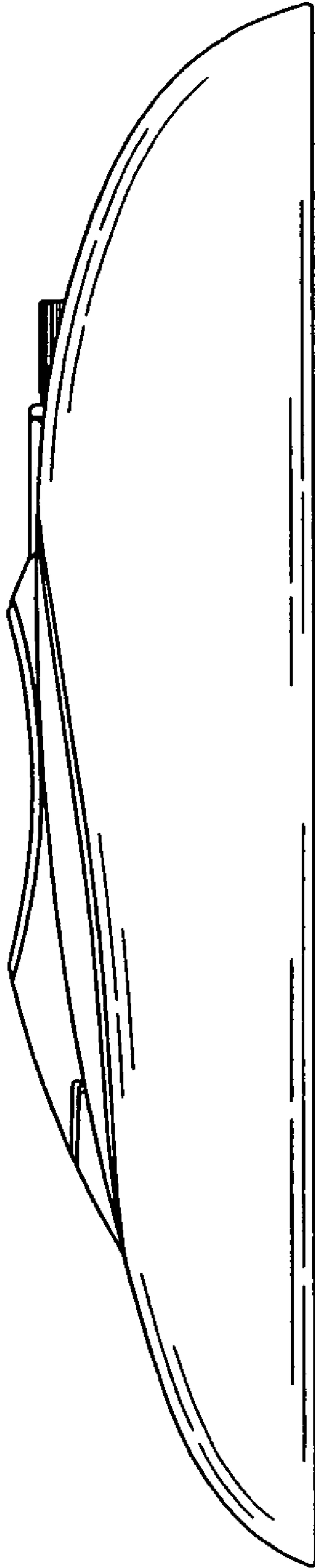


FIG. 3

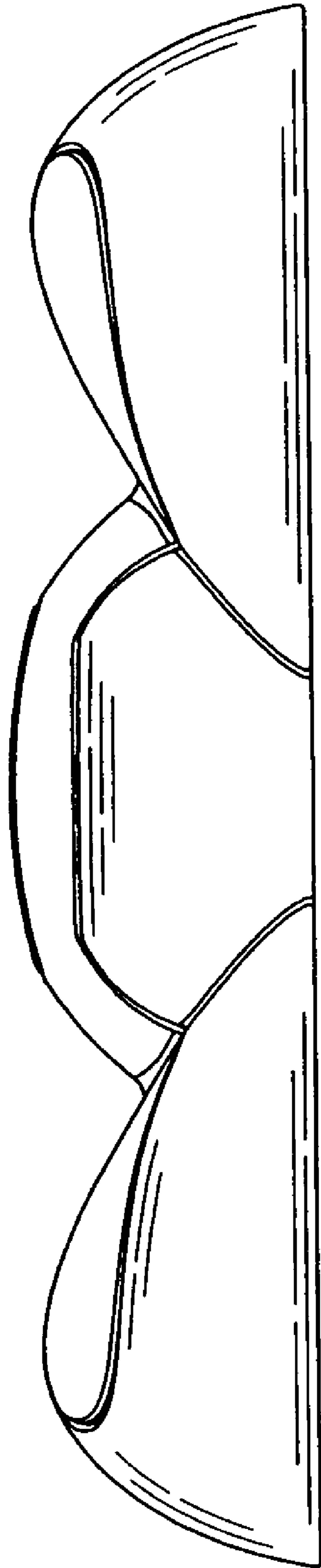


FIG. 4

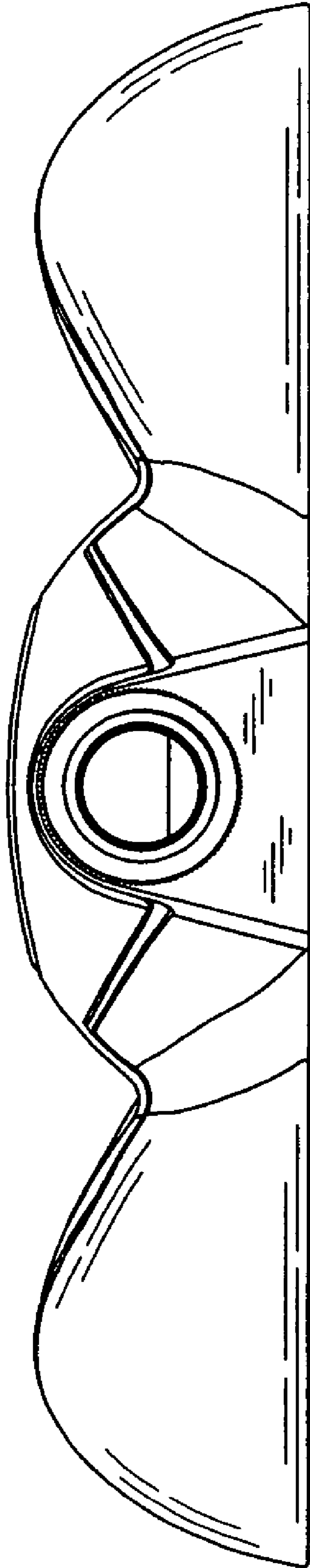


FIG. 5

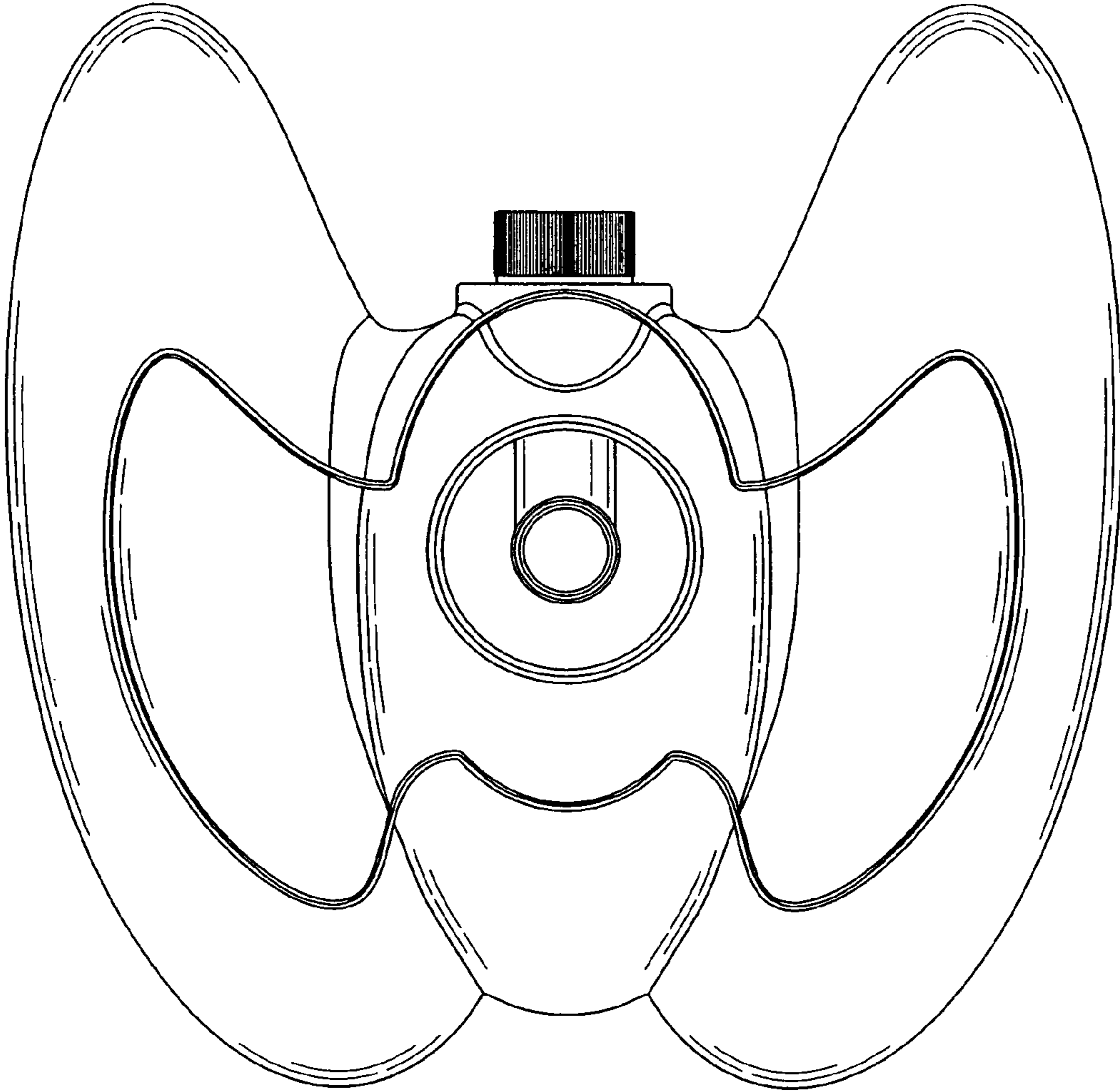


FIG. 6

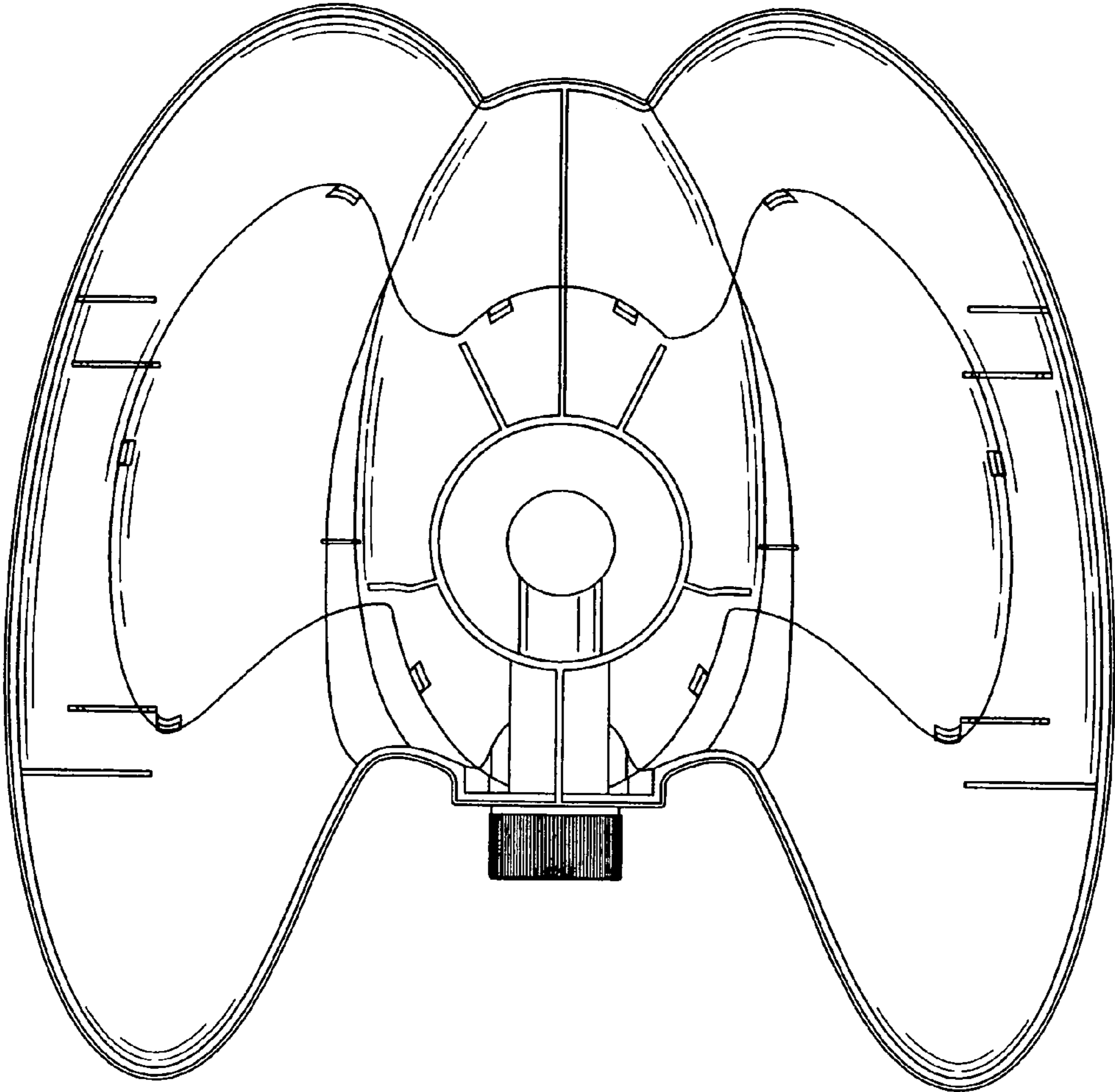


FIG. 7

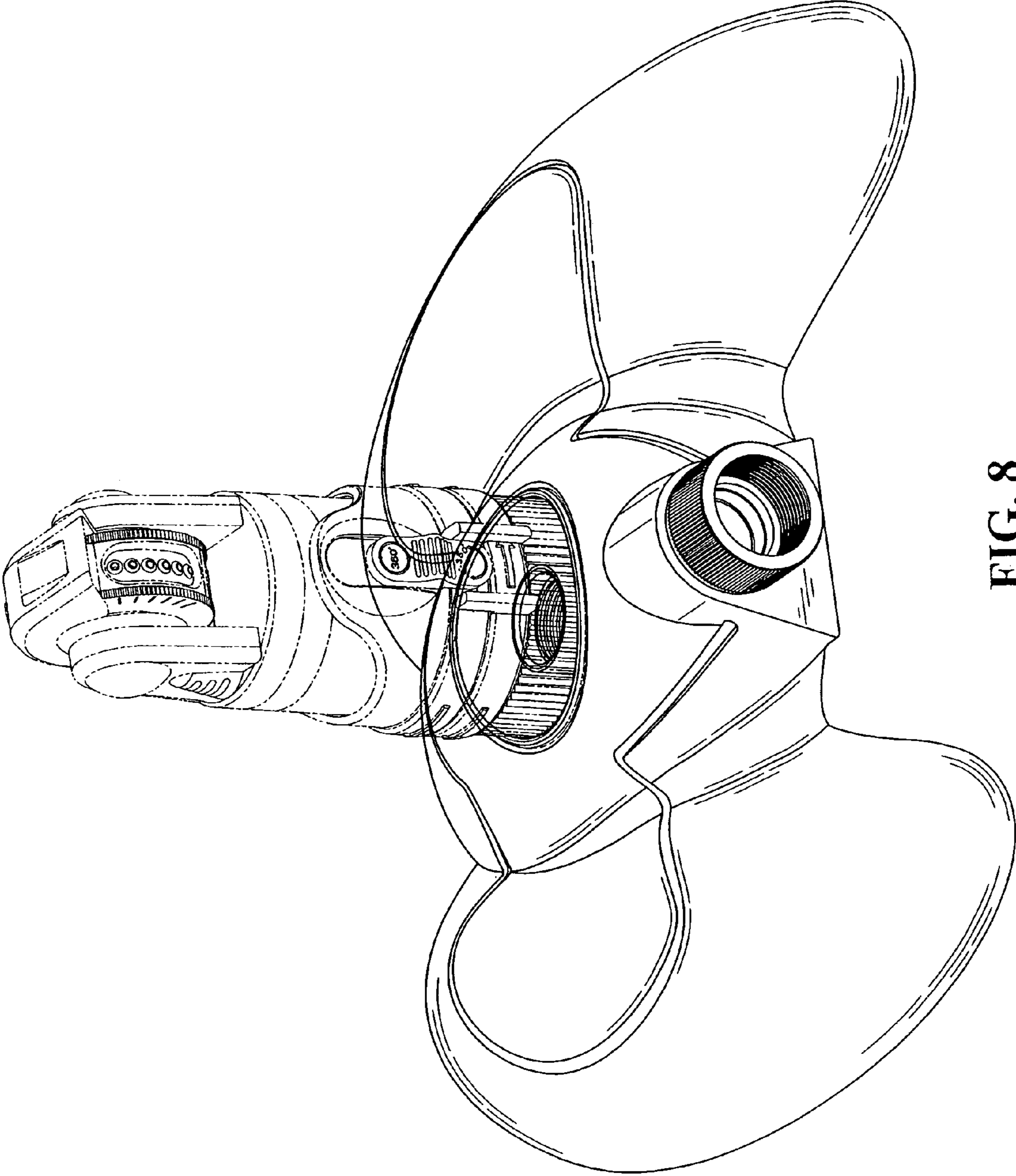


FIG. 8