



US00D554735S

(12) **United States Design Patent**
Orritt et al.

(10) **Patent No.:** **US D554,735 S**
(45) **Date of Patent:** **** Nov. 6, 2007**

(54) **ULTRA-VIOLET LIQUIDS DISINFECTION DEVICE**

D306,339 S * 2/1990 Slovak D23/207
6,547,963 B1 * 4/2003 Tsai 210/232
6,683,313 B2 * 1/2004 Chen et al. 250/455.11
7,178,593 B2 * 2/2007 Michaelsen et al. 166/267

(75) Inventors: **Christopher Orritt**, Skelmersdale (GB); **Anthony Leigh**, Standish (GB)

* cited by examiner

(73) Assignee: **Willand UV Systems Limited**, Wigan (GB)

Primary Examiner—Robin V. Webster
(74) *Attorney, Agent, or Firm*—Gauthier & Connors, LLP

(**) Term: **14 Years**

(57) **CLAIM**

(21) Appl. No.: **29/263,236**

The ornamental design for an ultra-violet liquids disinfection device, as shown and described.

(22) Filed: **Jul. 19, 2006**

(51) **LOC (8) Cl.** **23-01**

DESCRIPTION

(52) **U.S. Cl.** **D23/207**

FIG. 1 is a top plan view of a ultra-violet liquids disinfection device

(58) **Field of Classification Search** D23/207,

D23/209; 210/748; 250/436

FIG. 2 is a right elevational view thereof;

See application file for complete search history.

FIG. 3 is a left elevational view thereof;

(56) **References Cited**

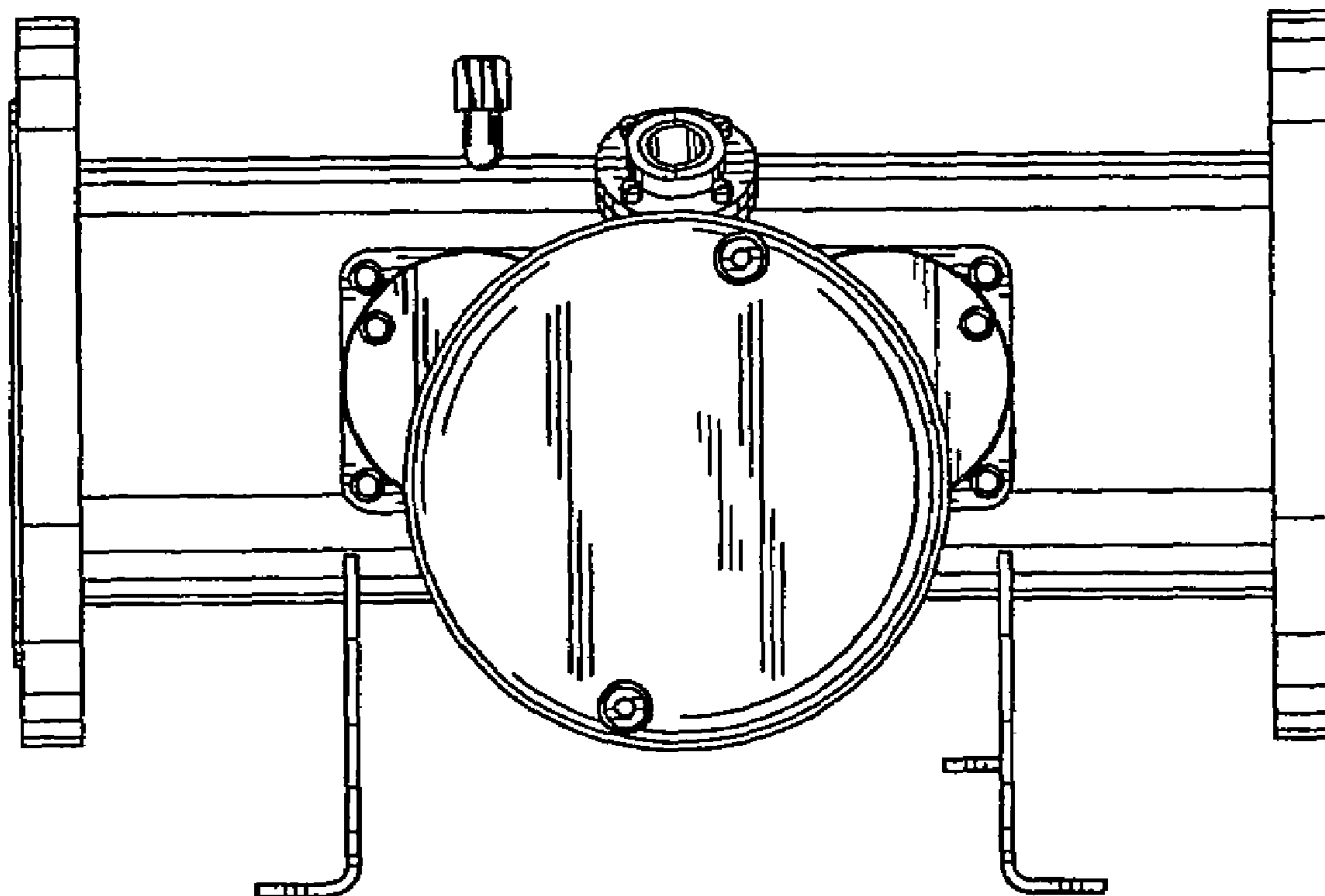
U.S. PATENT DOCUMENTS

D128,278 S * 7/1941 Butler D23/207
4,822,472 A * 4/1989 Reis et al. 204/276

FIG. 4 is a front plan view thereof; and,

FIG. 5 is a rear plan view thereof.

1 Claim, 3 Drawing Sheets



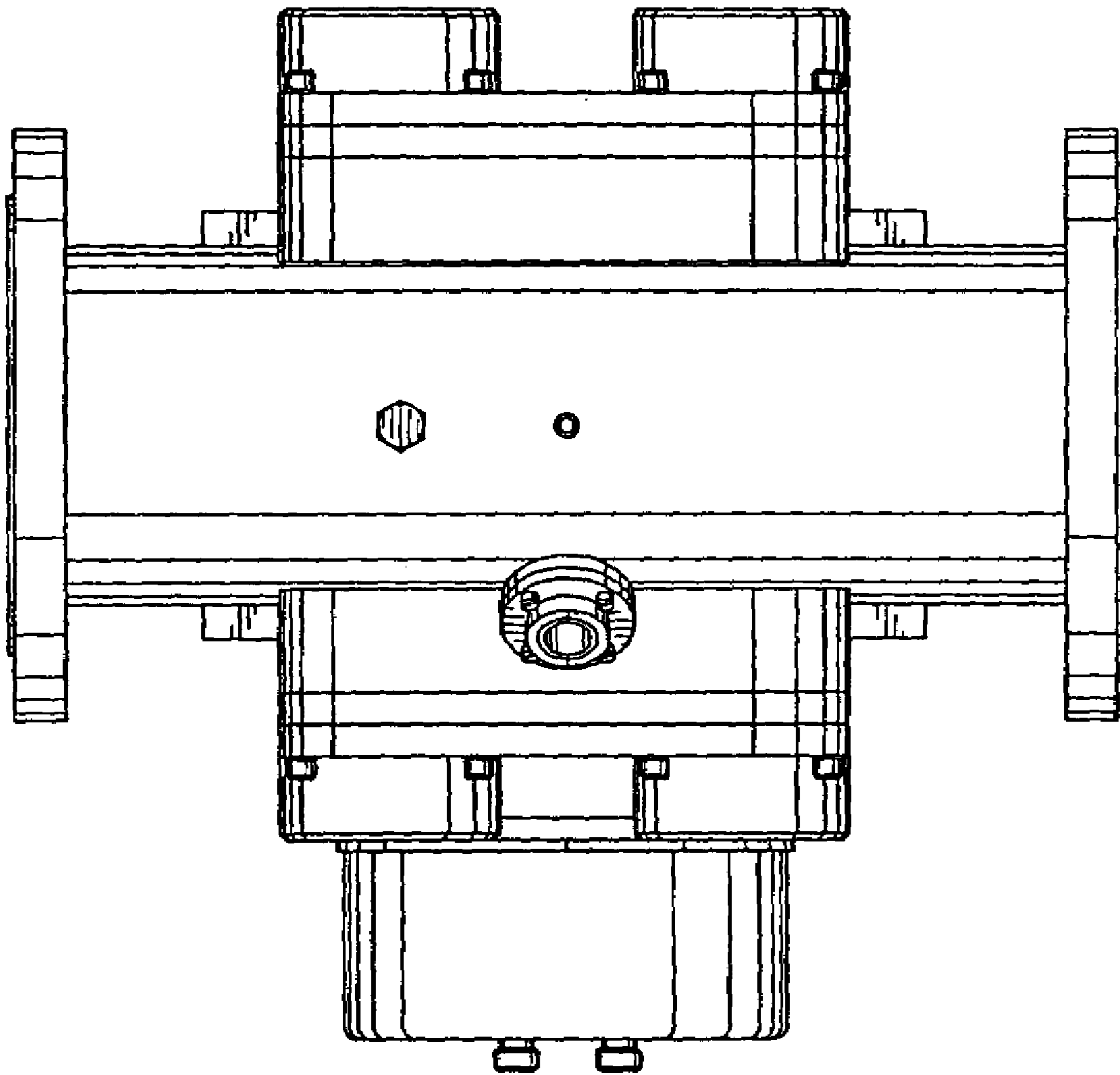


FIG. 1

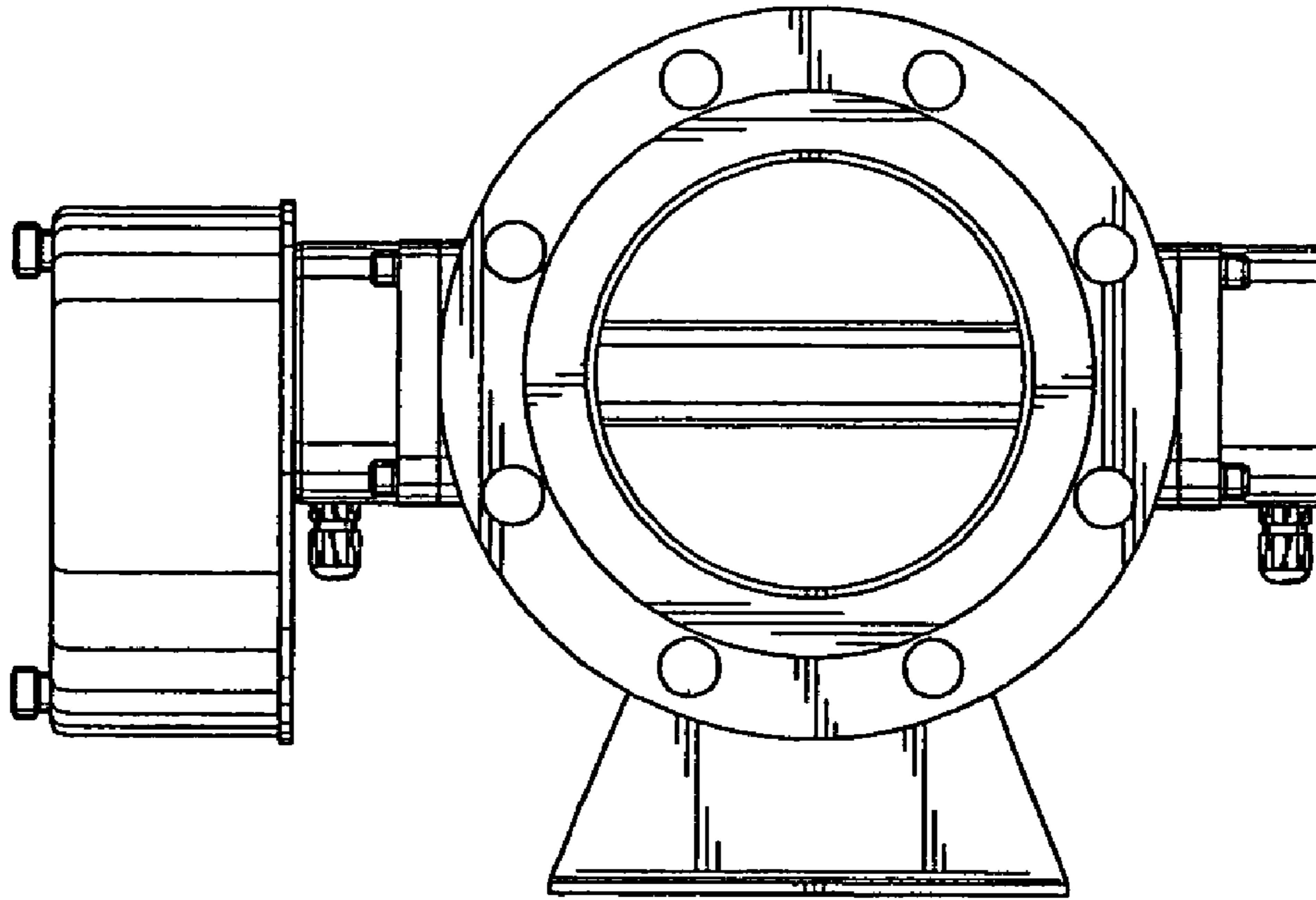


FIG. 2

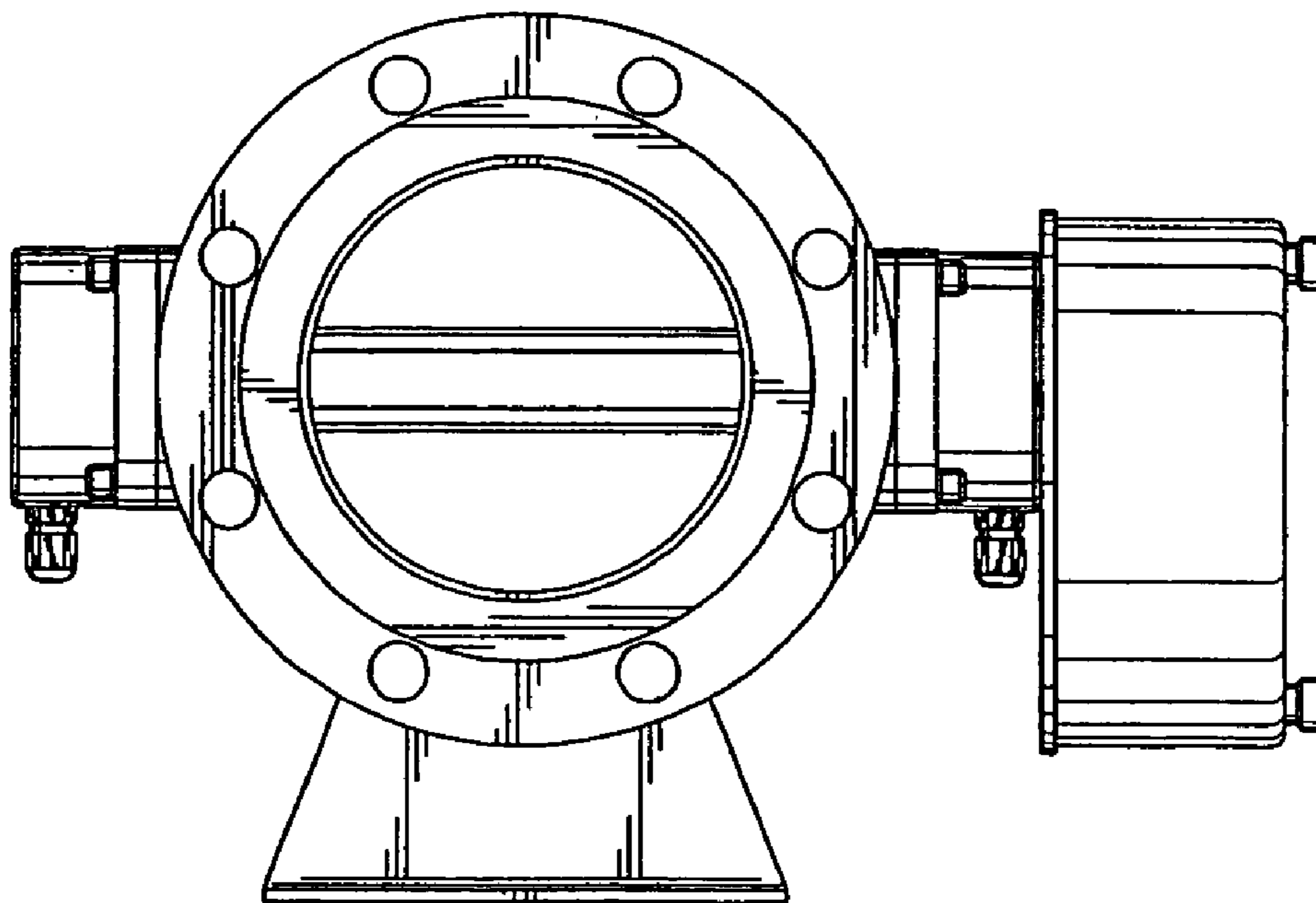


FIG. 3

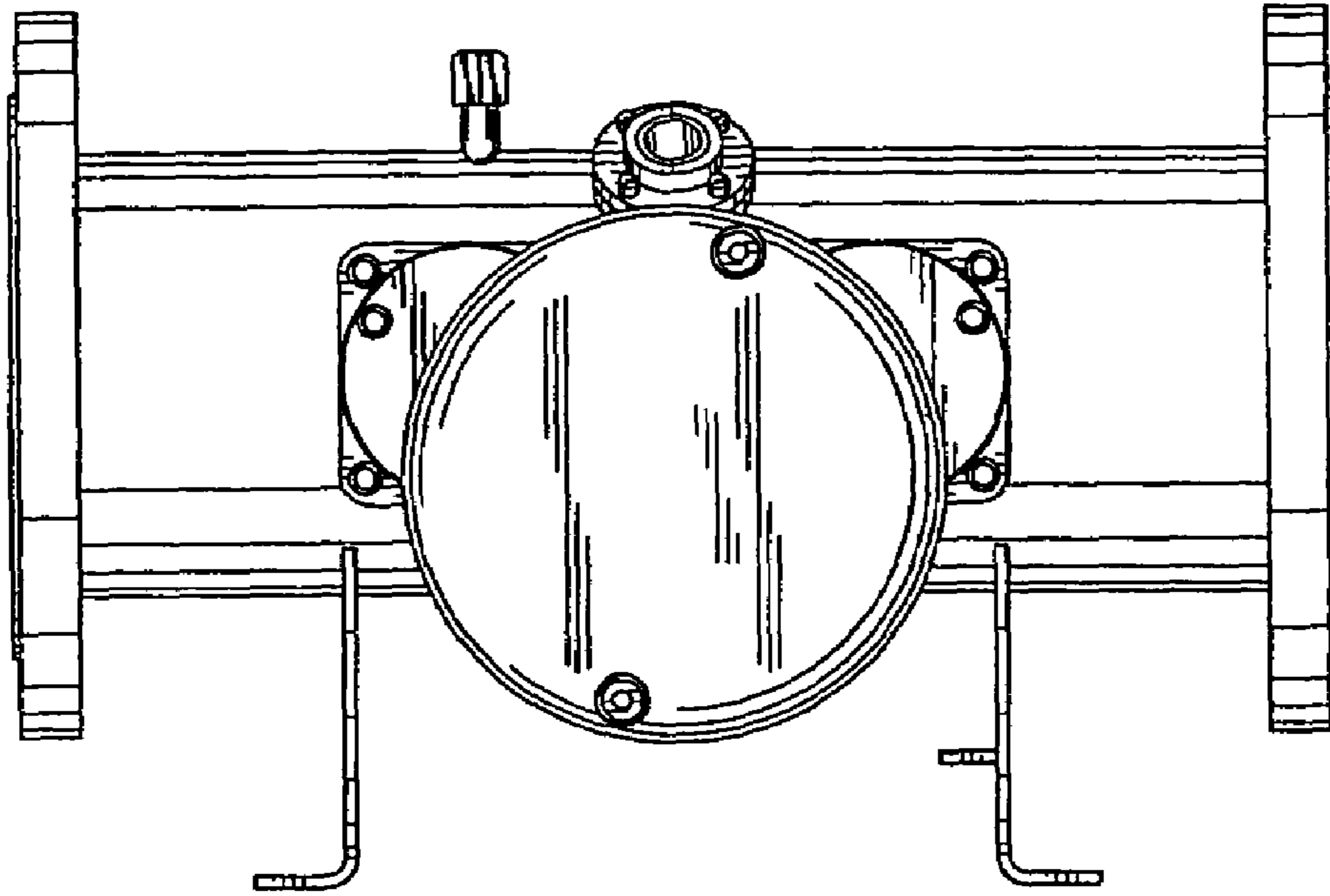


FIG. 4

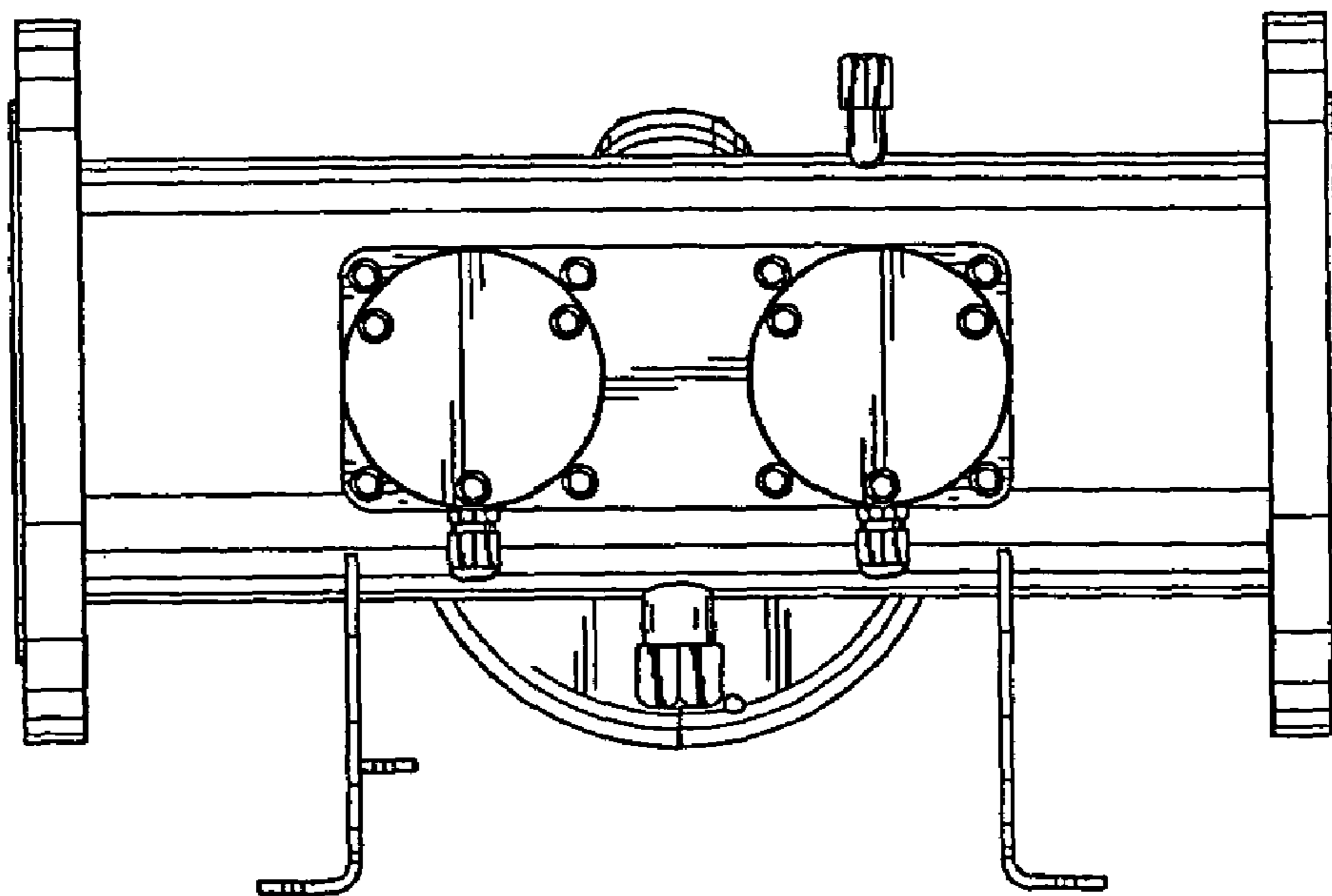


FIG. 5