



US00D554730S

(12) **United States Design Patent**
Coggins

(10) **Patent No.:** **US D554,730 S**

(45) **Date of Patent:** **** Nov. 6, 2007**

(54) **SCOPE MOUNT FOR RIFLE**

D435,284 S * 12/2000 Sutula D22/110

(75) Inventor: **Timothy L. Coggins**, Sanford, NC
(US)

OTHER PUBLICATIONS

Omega Scope Mount advertisement (Mar. 2006).

(73) Assignee: **DedNutz Products, LLC**, Sanford, NC
(US)

* cited by examiner

(**) Term: **14 Years**

Primary Examiner—Charles A. Rademaker
Assistant Examiner—Melanie Levy

(21) Appl. No.: **29/257,289**

(57) **CLAIM**

(22) Filed: **Mar. 31, 2006**

The ornamental design for a scope mount for rifle, as shown and described.

(51) **LOC (8) Cl.** **22-01**

(52) **U.S. Cl.** **D22/110**

(58) **Field of Classification Search** D22/100,
D22/108–110, 199; 42/101, 124–127, 111–112,
42/119; 248/229.1; 362/100, 113, 114; D16/132
See application file for complete search history.

DESCRIPTION

FIG. 1 is a top, front, left side perspective view of a scope mount embodying my design;

FIG. 2 is a bottom plan view thereof;

FIG. 3 is a top plan view thereof;

FIG. 4 is a front elevational view thereof;

Fig. 5 is a left side elevational view thereof;

FIG. 6 is a rear elevational view thereof; and,

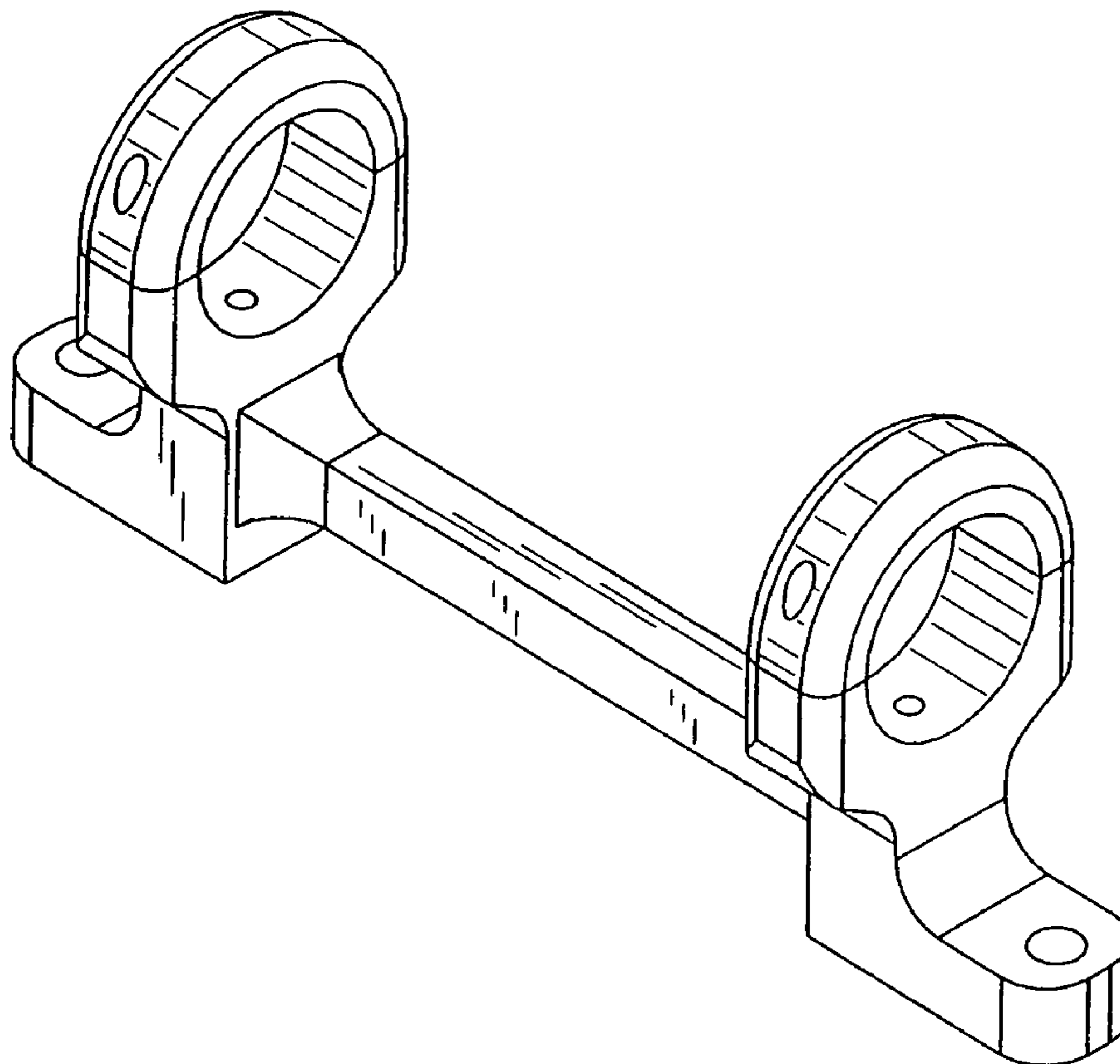
FIG. 7 is a right side elevational view thereof.

(56) **References Cited**

U.S. PATENT DOCUMENTS

D212,690 S	*	11/1968	Kuharsky, Jr.	D22/110
D250,271 S	*	11/1978	Williams	D22/110
D255,140 S	*	5/1980	Weast	D22/110
D269,988 S	*	8/1983	Ross	D22/110
D286,424 S	*	10/1986	Ekstrand	D22/110
D391,335 S	*	2/1998	Bechtel	D22/110

1 Claim, 4 Drawing Sheets



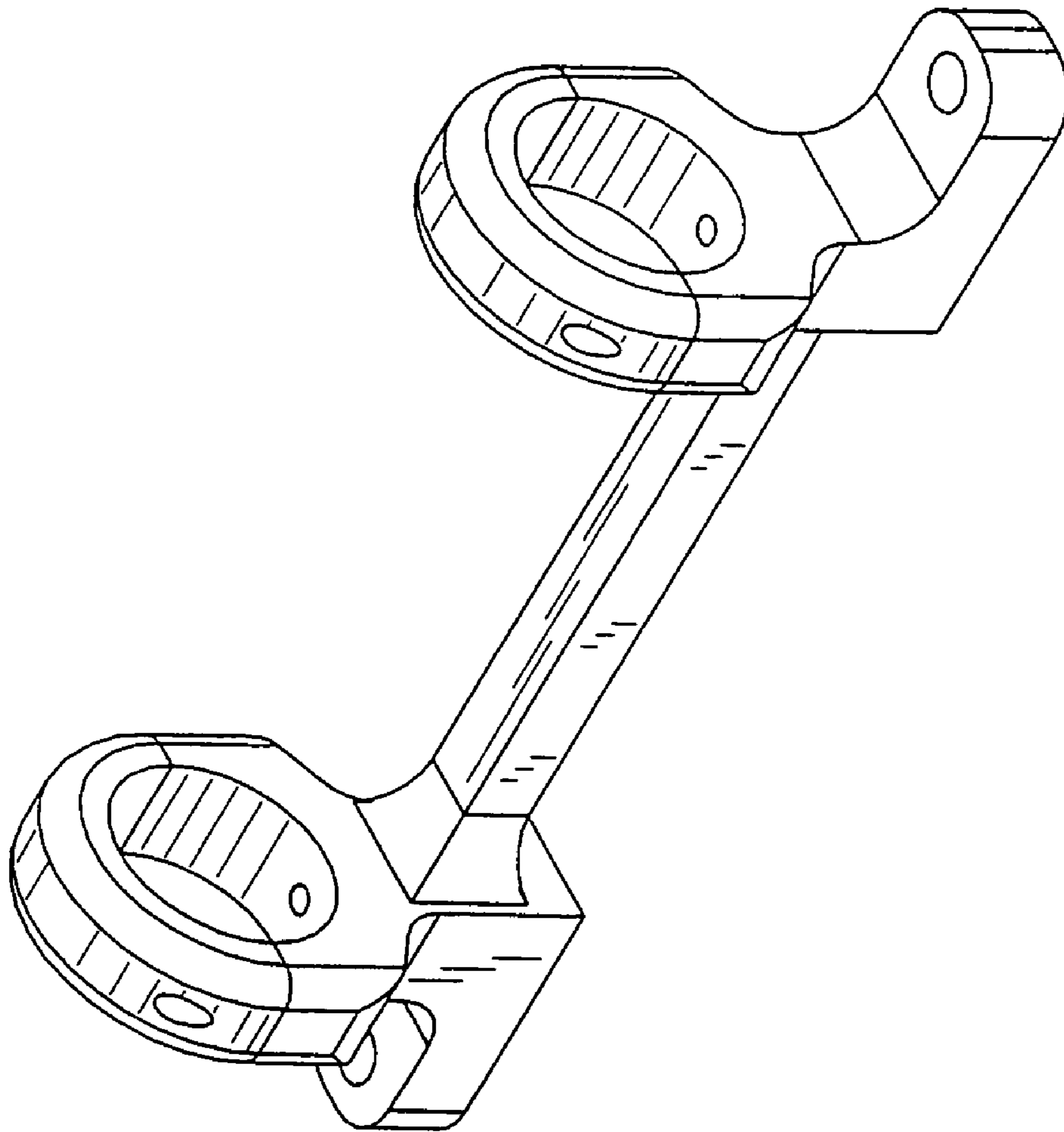


FIG. 1

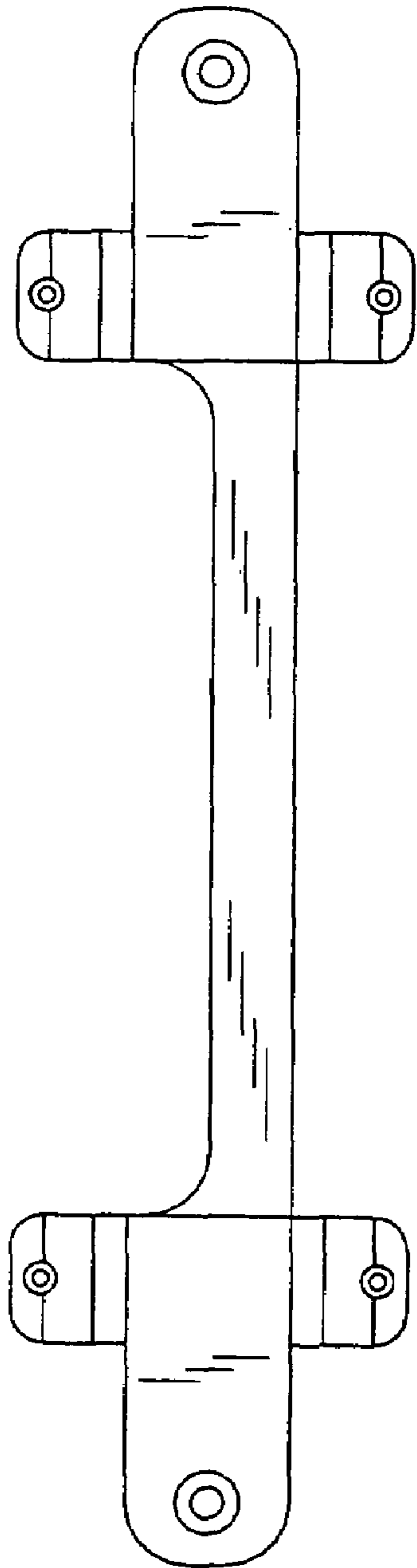


FIG. 2

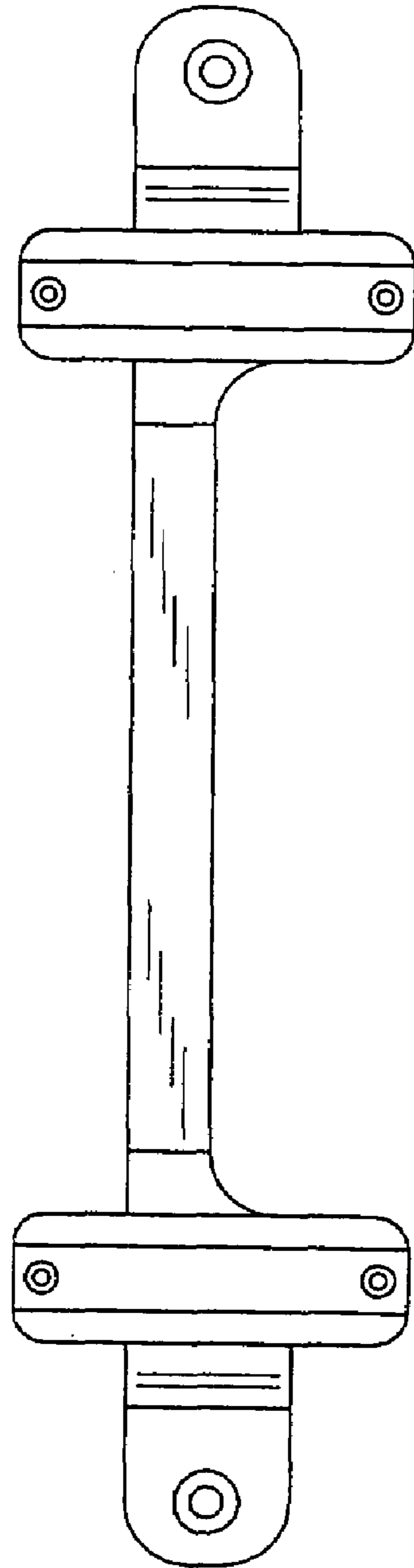


FIG. 3

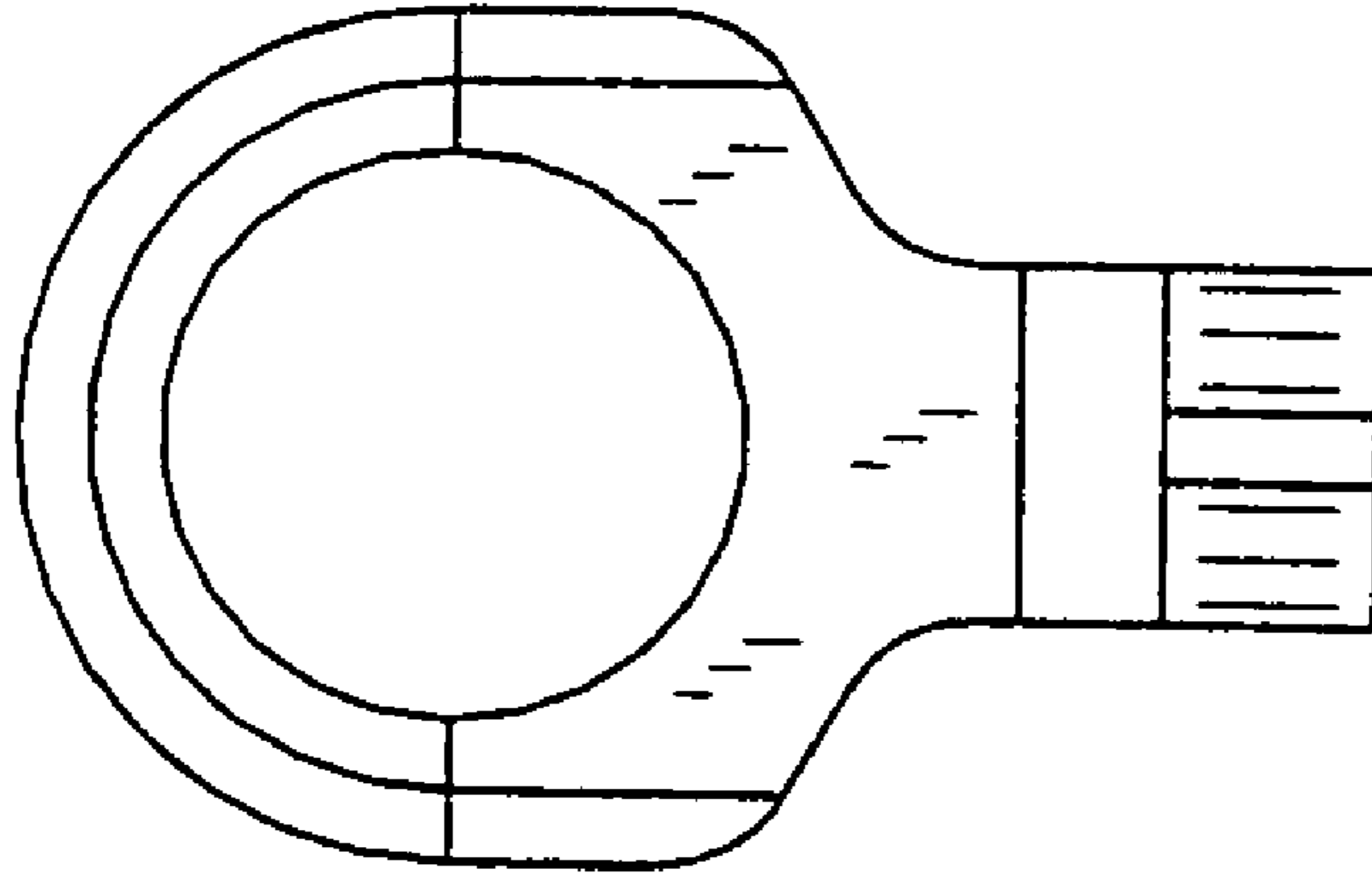


FIG. 4

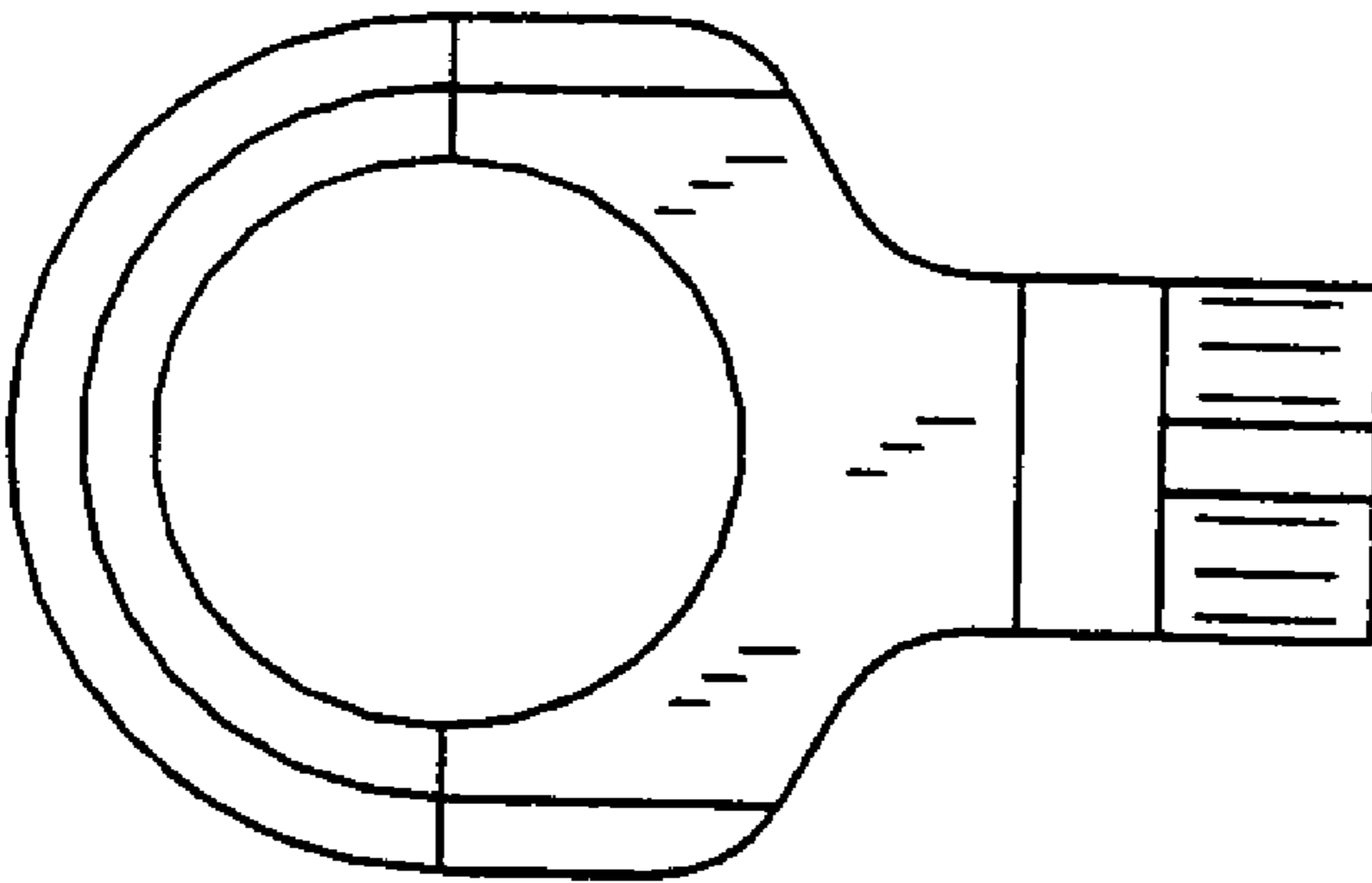


FIG. 6

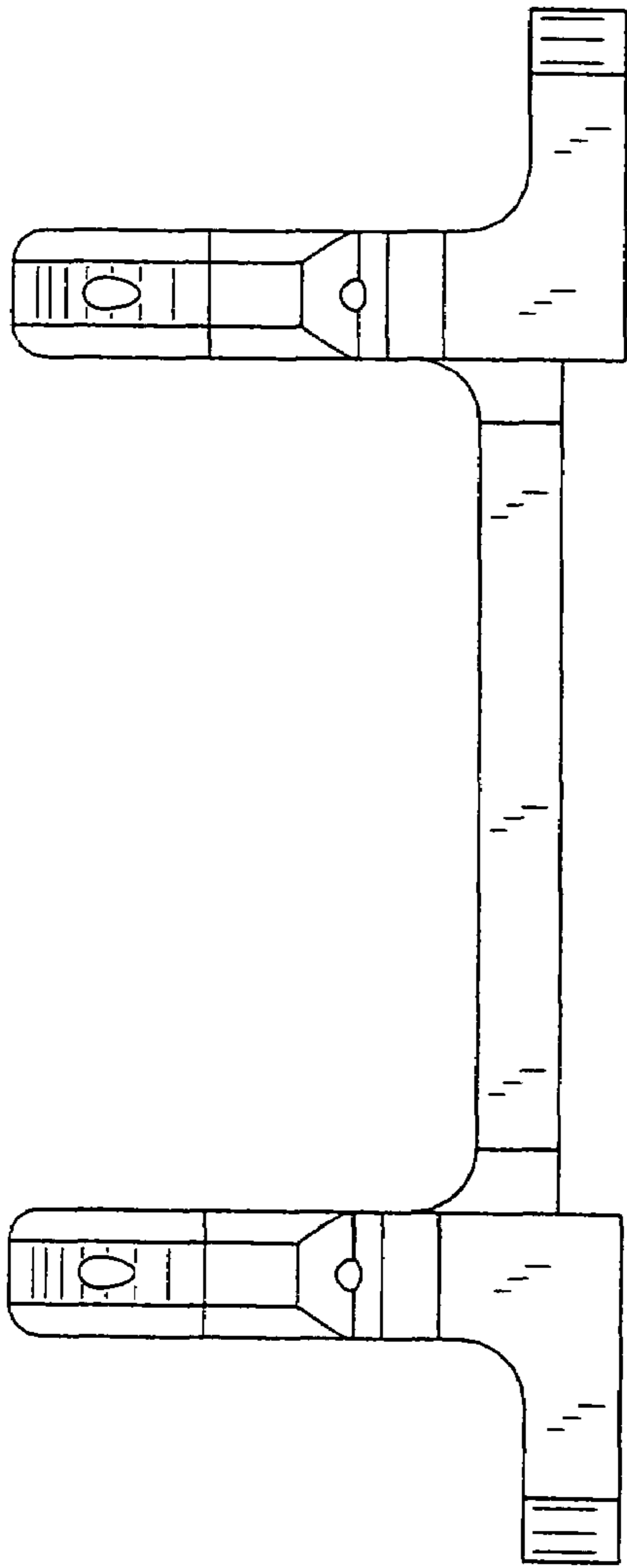


FIG. 5

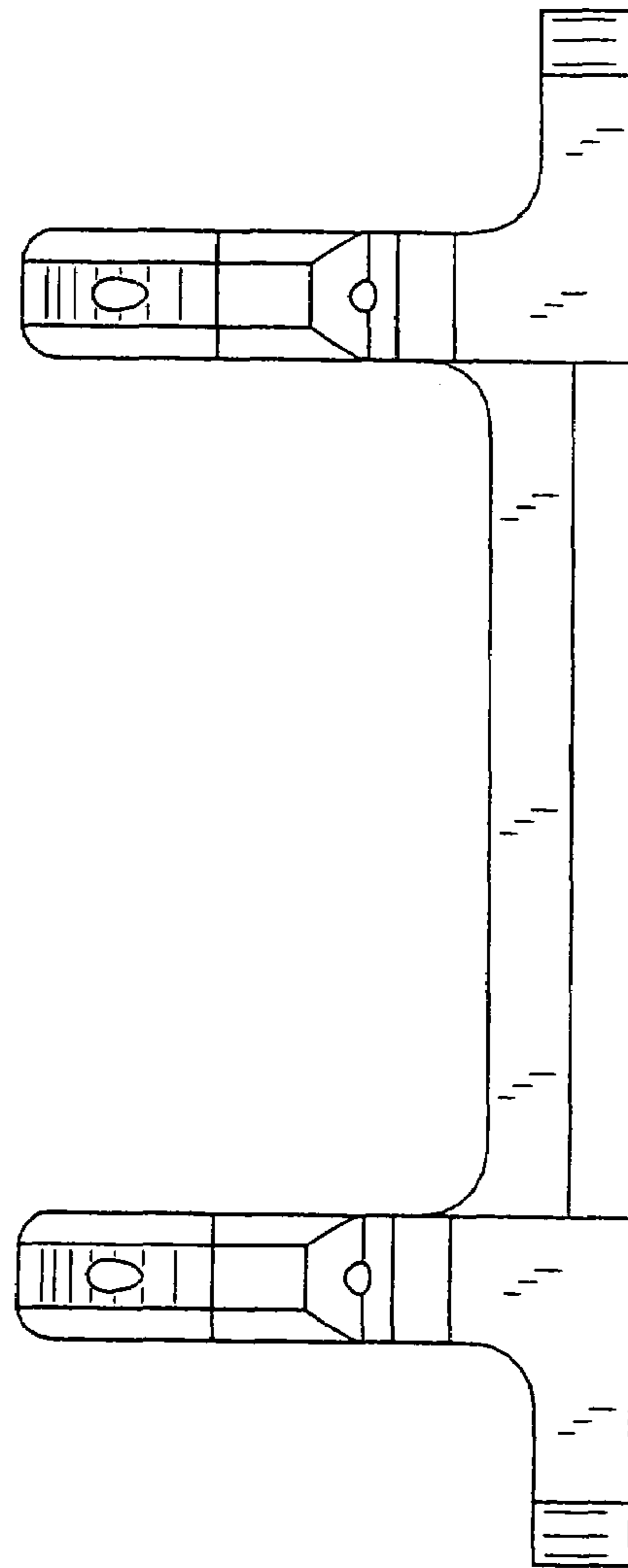


FIG. 7