



US00D554729S

(12) **United States Design Patent**  
**Peterson**

(10) **Patent No.:** **US D554,729 S**

(45) **Date of Patent:** **\*\* Nov. 6, 2007**

(54) **INFLATABLE WATER SPA**

D478,956 S \* 8/2003 Feuer ..... D21/815

(75) Inventor: **Leroy L. Peterson**, Omaha, NE (US)

\* cited by examiner

(73) Assignee: **Sportsstuff Inc.**, Omaha, NE (US)

*Primary Examiner*—Mitchell Siegel  
(74) *Attorney, Agent, or Firm*—Sturm & Fix LLP

(\*\*) Term: **14 Years**

(57) **CLAIM**

(21) Appl. No.: **29/267,313**

The ornamental design for an inflatable water spa, as shown and described.

(22) Filed: **Oct. 11, 2006**

(51) **LOC (8) Cl.** ..... **21-03**

(52) **U.S. Cl.** ..... **D21/815**

(58) **Field of Classification Search** ..... D21/815-816,  
D21/835; 4/488-513; 472/126

See application file for complete search history.

**DESCRIPTION**

FIG. 1 is a perspective view of the inflatable water spa showing my new design;

FIG. 2 is a top plan view thereof;

FIG. 3 is a left side elevational view thereof;

FIG. 4 is a right side elevational view thereof;

FIG. 5 is a rear elevational view thereof;

FIG. 6 is a front elevational view thereof; and,

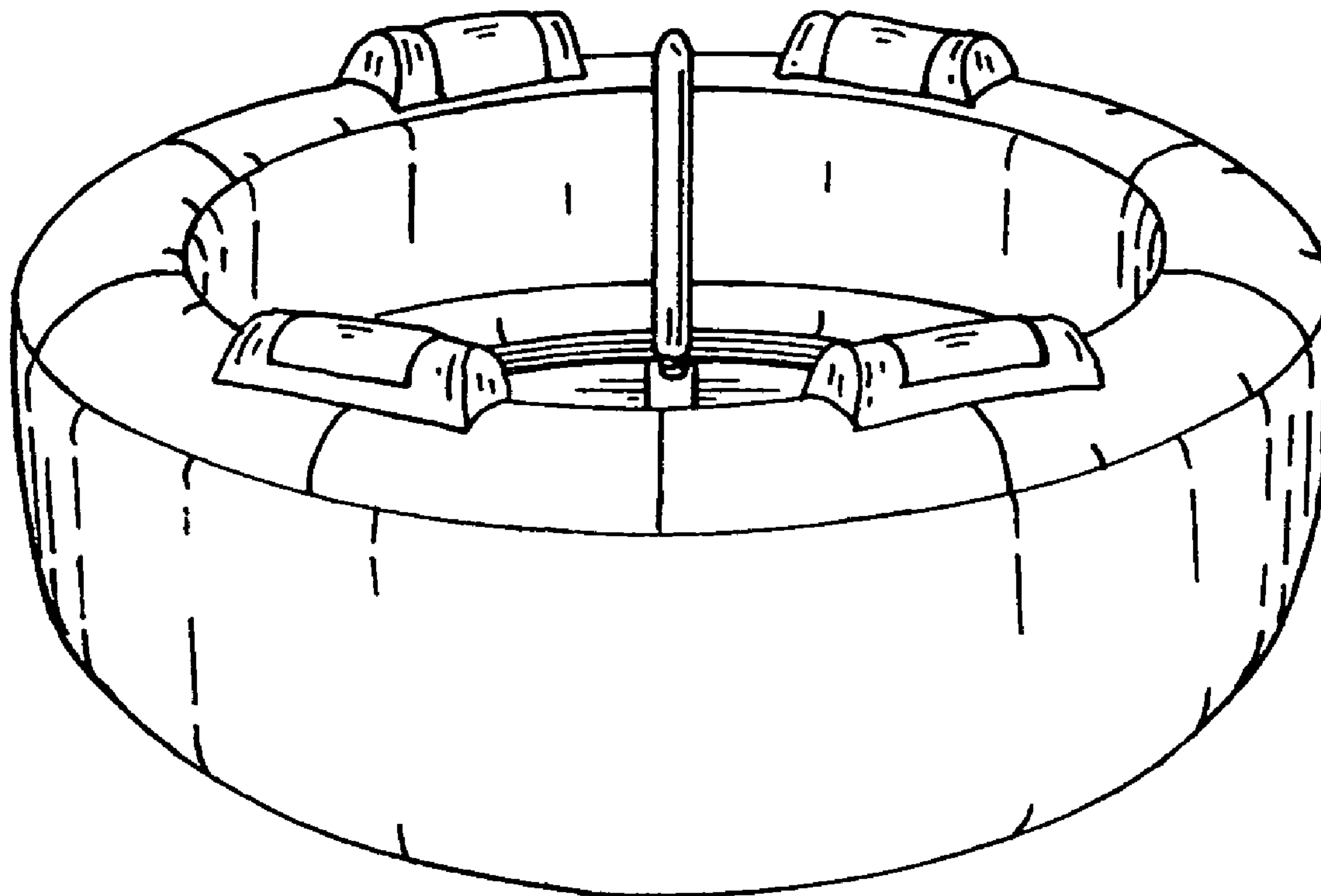
FIG. 7 is a bottom plan view thereof.

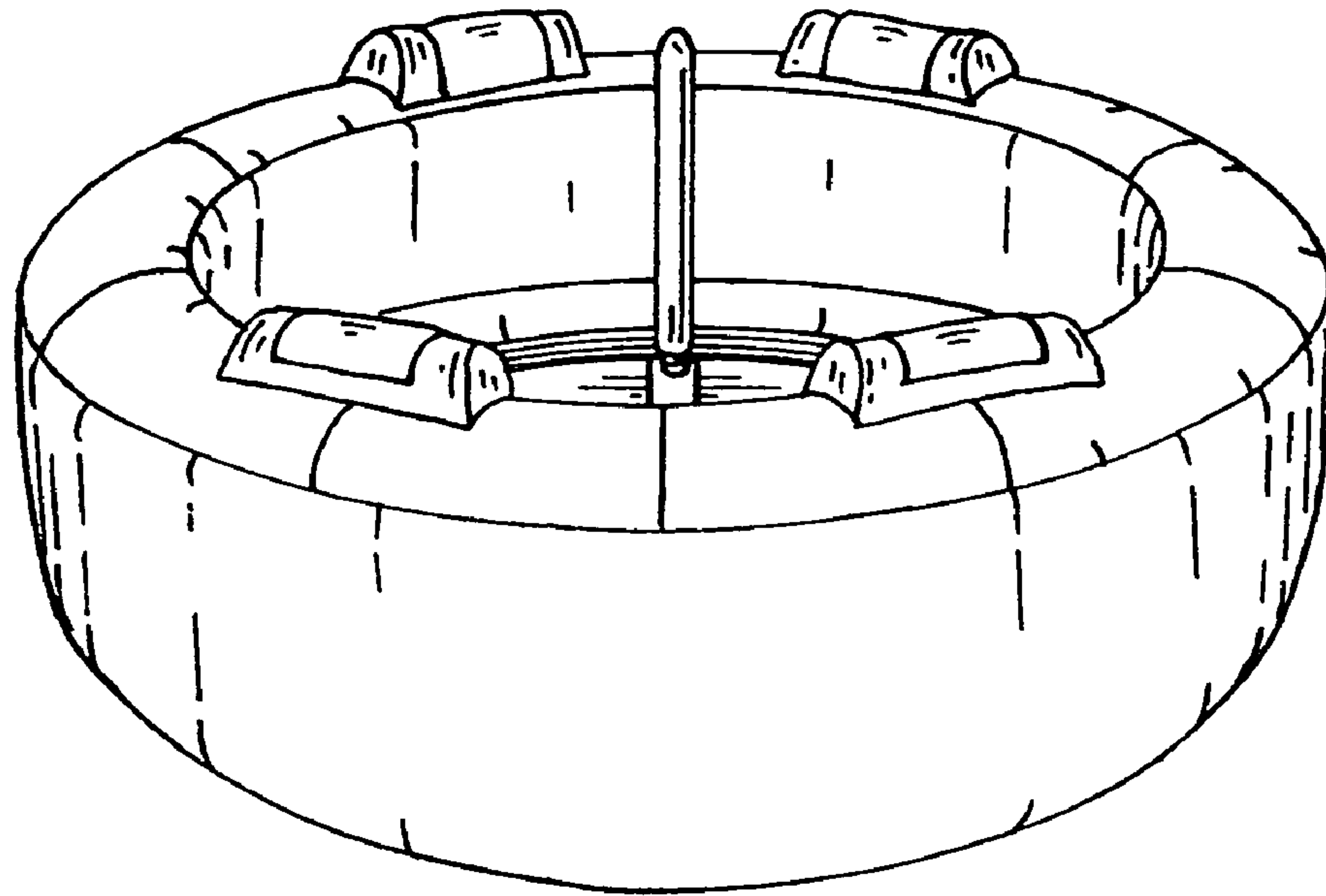
(56) **References Cited**

U.S. PATENT DOCUMENTS

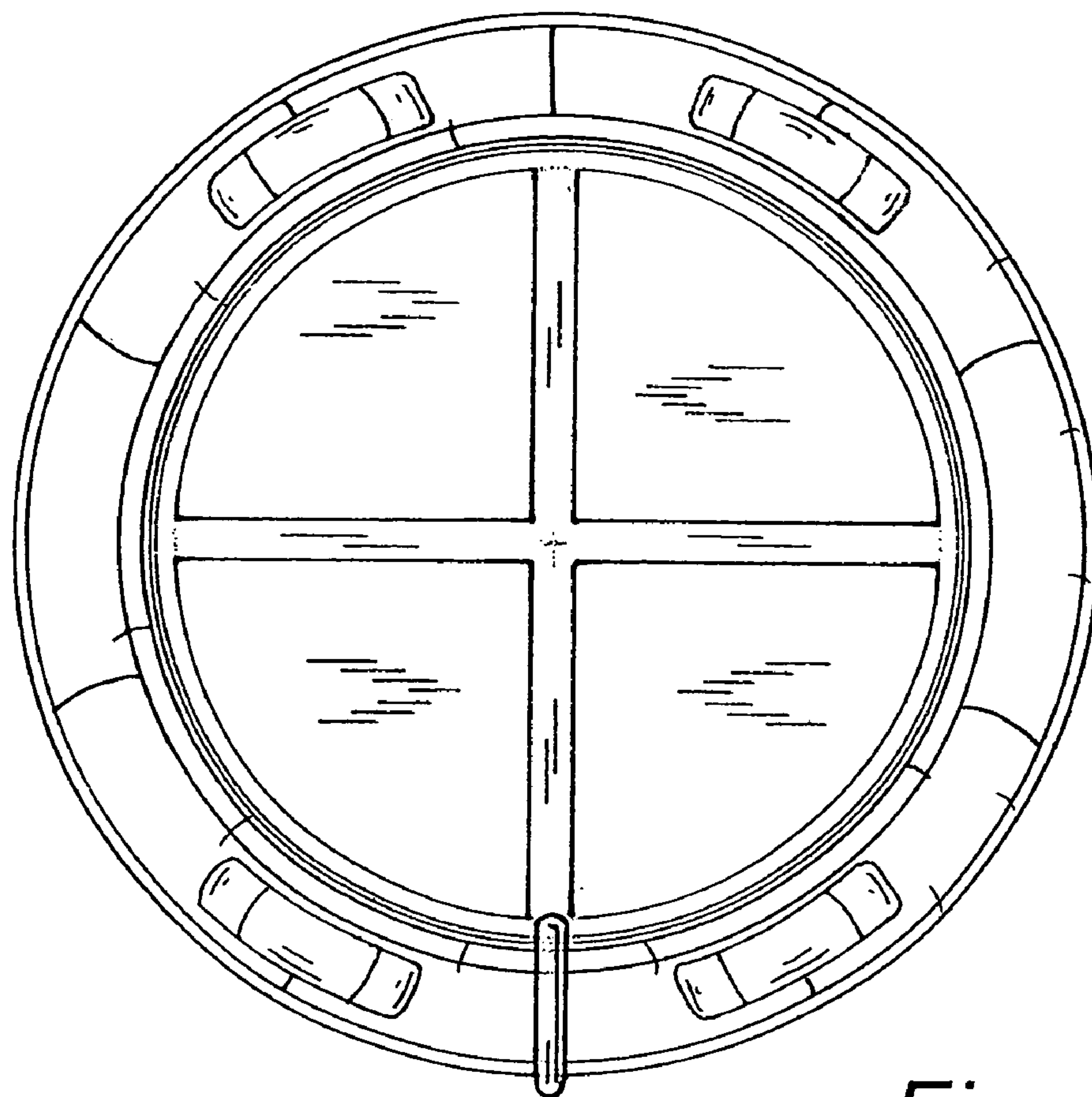
D177,219 S *	3/1956	Crupt, Jr.	.....	D21/815
D224,241 S *	7/1972	Tytel	.....	D21/815
D404,457 S *	1/1999	Peterson	.....	D21/815
D409,707 S *	5/1999	Peterson	.....	D21/815
D425,165 S *	5/2000	Klimenko	.....	D21/815

**1 Claim, 3 Drawing Sheets**

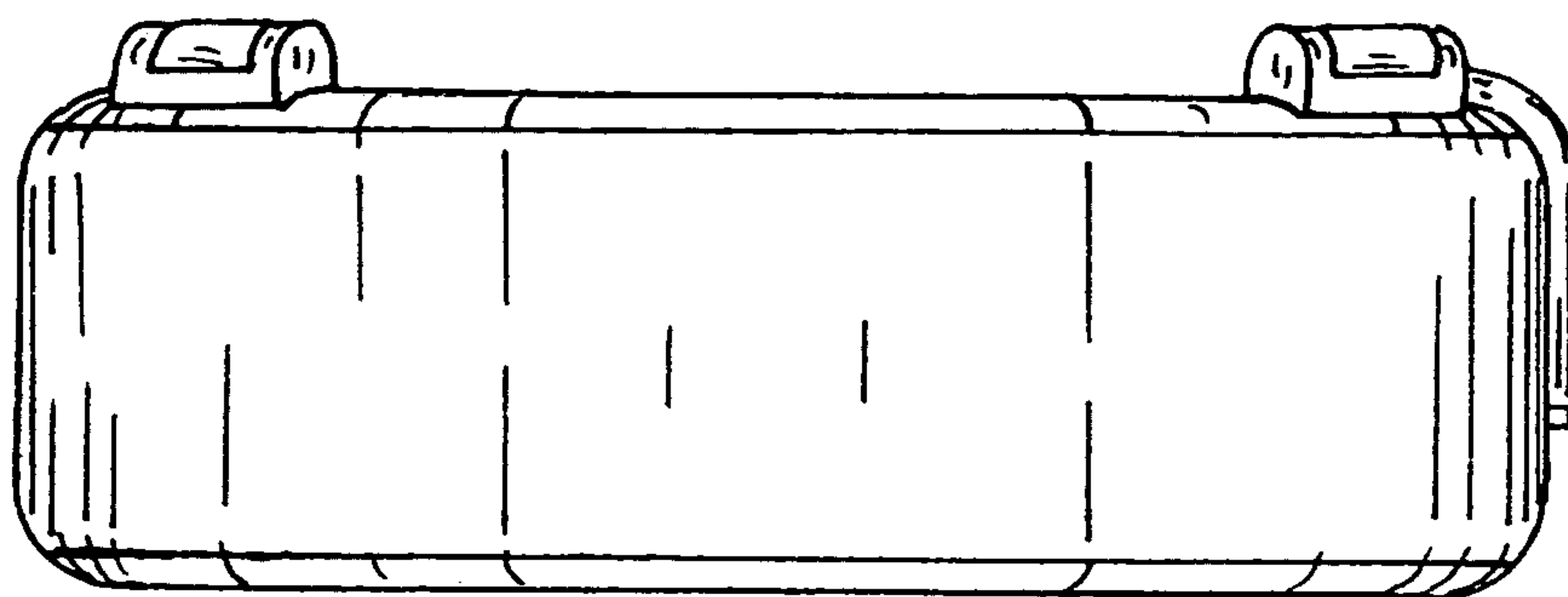




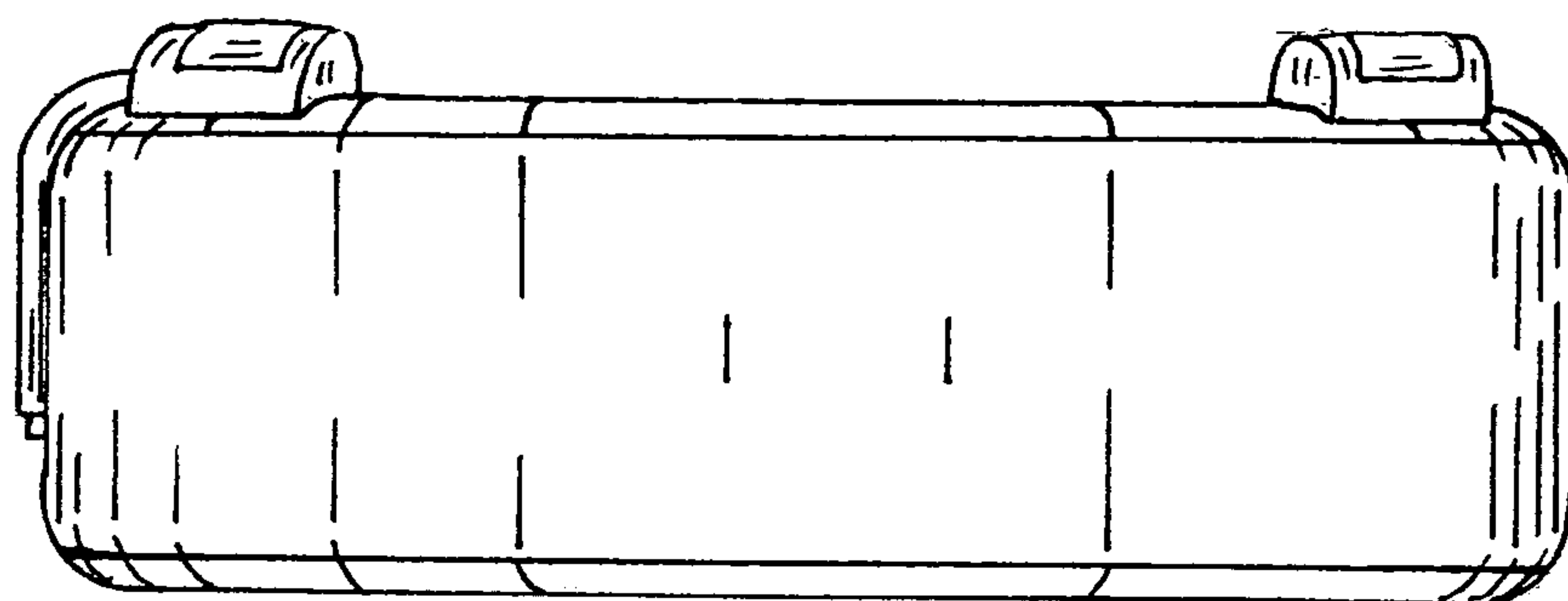
*Fig. 1*



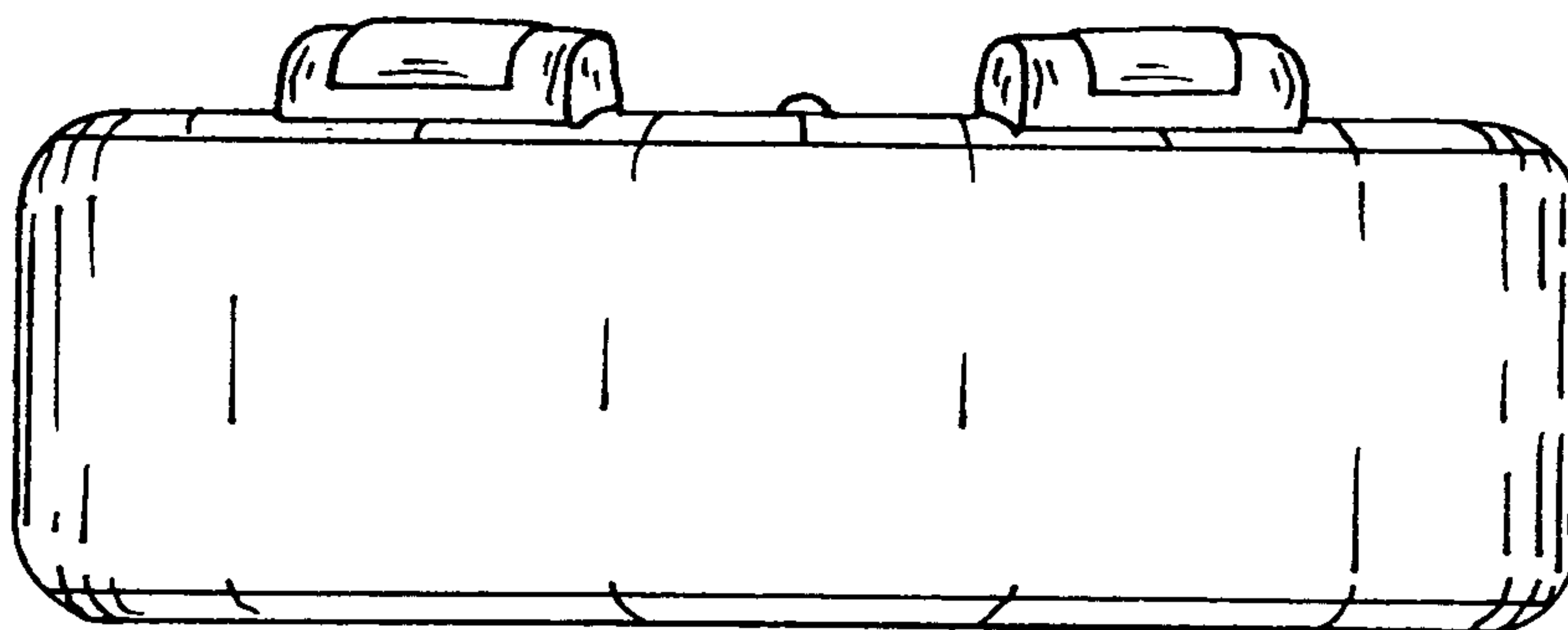
*Fig. 2*



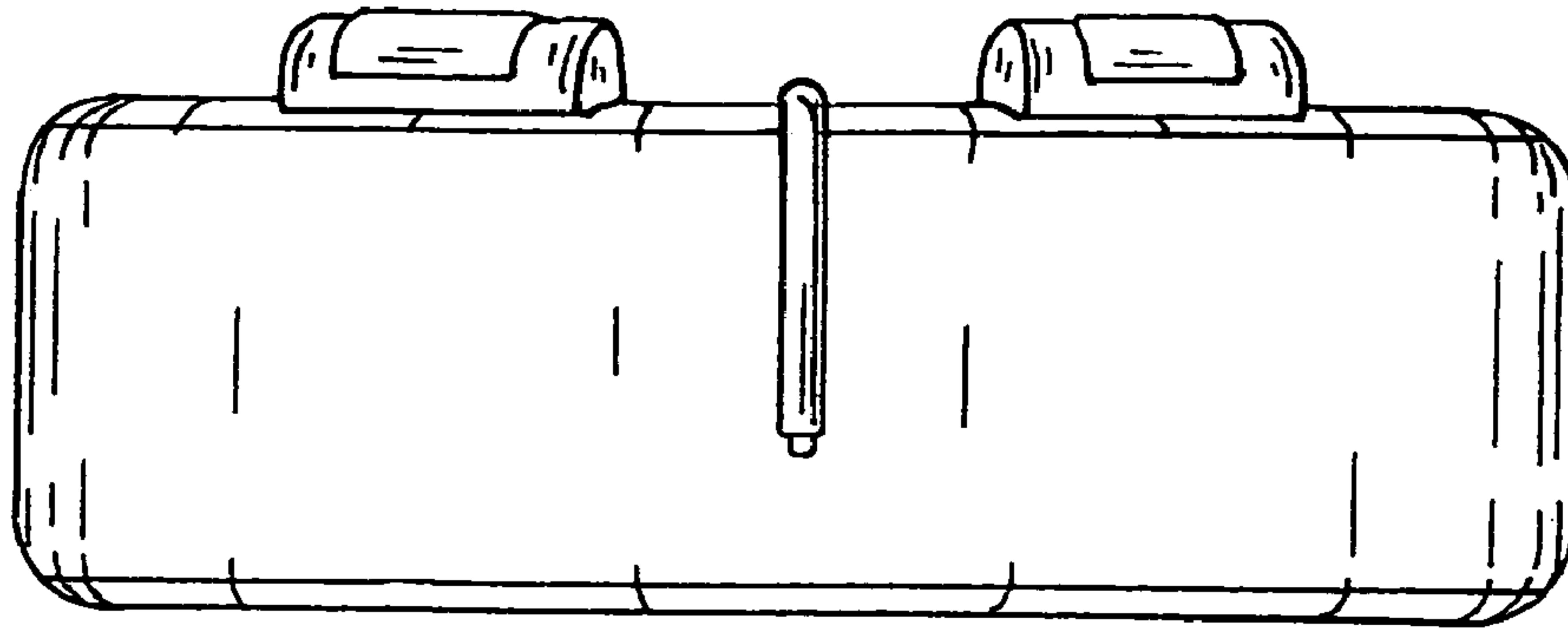
*Fig. 3*



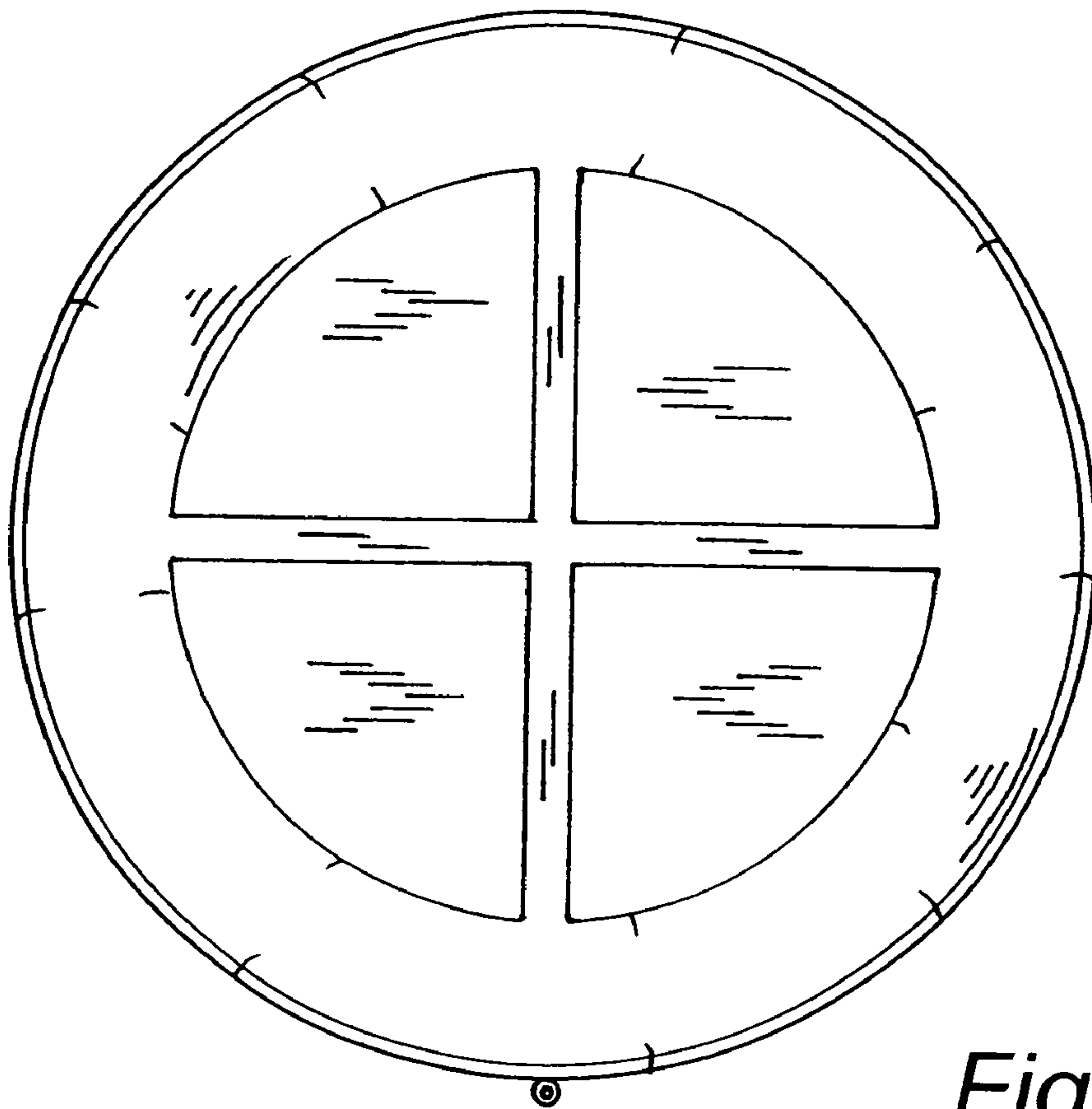
*Fig. 4*



*Fig. 5*



*Fig. 6*



*Fig. 7*