



US00D554726S

(12) **United States Design Patent** (10) **Patent No.:** **US D554,726 S**
Blanks (45) **Date of Patent:** **** Nov. 6, 2007**

(54) **GOLF PITCH MARK REPAIR TOOL**

D526,378 S * 8/2006 Blanks D21/793

(76) Inventor: **Paul Michael Blanks**, 8761 Roberts Rd., Galloway, OH (US) 43119

(**) Term: **14 Years**

(21) Appl. No.: **29/279,196**

(22) Filed: **Apr. 23, 2007**

Related U.S. Application Data

(62) Division of application No. 11/620,693, filed on Jan. 7, 2007.

(51) **LOC (8) Cl.** **21-02**

(52) **U.S. Cl.** **D21/793**

(58) **Field of Classification Search** D21/789,
D21/793; 473/286, 408

See application file for complete search history.

(56) **References Cited**

U.S. PATENT DOCUMENTS

- 3,203,700 A 8/1965 Antonious
- 3,618,673 A 11/1971 Gossett
- D233,897 S * 12/1974 Rowland D21/793
- 4,007,928 A 2/1977 Doubt
- 5,759,111 A 6/1998 Clark
- 6,095,935 A 8/2000 Gooselaw et al.

OTHER PUBLICATIONS

“How to repair a pitch mark on a green,” <http://www.carlowgolfclub.com/course/pitch.html>, Aug. 22, 2005.

“Repairing Pitch Marks,” <http://www.golfsoftware.com/products/wb/Imsample/> (click on What’s the rule on Repairing Pitch Mark’s), Aug. 22, 2005.

“GreenFix Golf—The Tools”, <http://www.greenfixgolf.com/tools.htm>, Aug. 22, 2005.

* cited by examiner

Primary Examiner—Mitchell Siegel

(74) *Attorney, Agent, or Firm*—Dane C. Butzer

(57) **CLAIM**

The ornamental design for a golf pitch mark repair tool, as shown.

DESCRIPTION

FIG. 1 is a side view of a golf pitch mark repair tool, showing my design;

FIG. 2 is a front end view thereof;

FIG. 3 is a top view thereof;

FIG. 4 is a back end view thereof;

FIG. 5 is a bottom view thereof; and,

FIG. 6 is a perspective thereof.

1 Claim, 1 Drawing Sheet

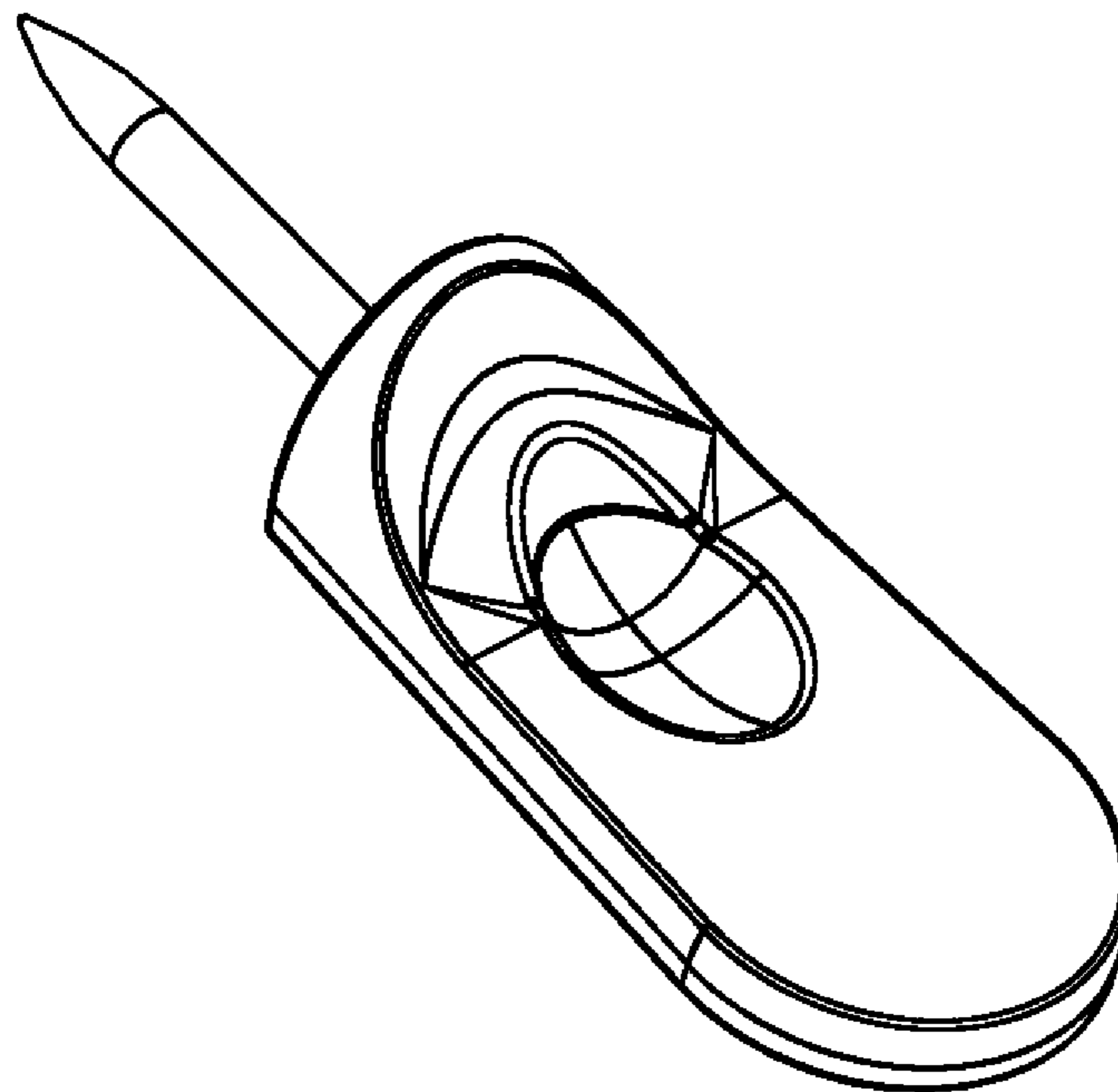




Fig. 1

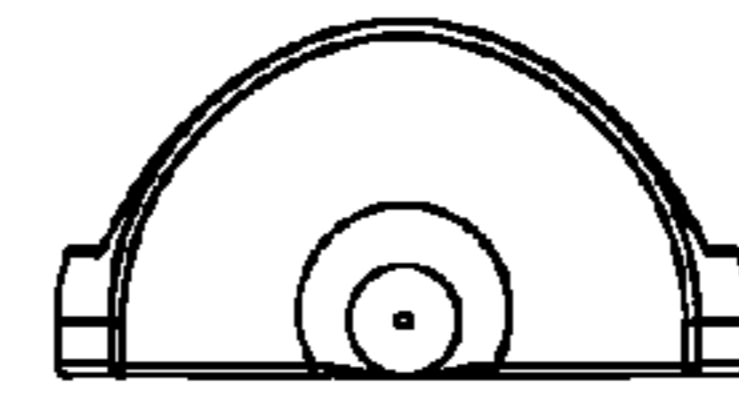


Fig. 2

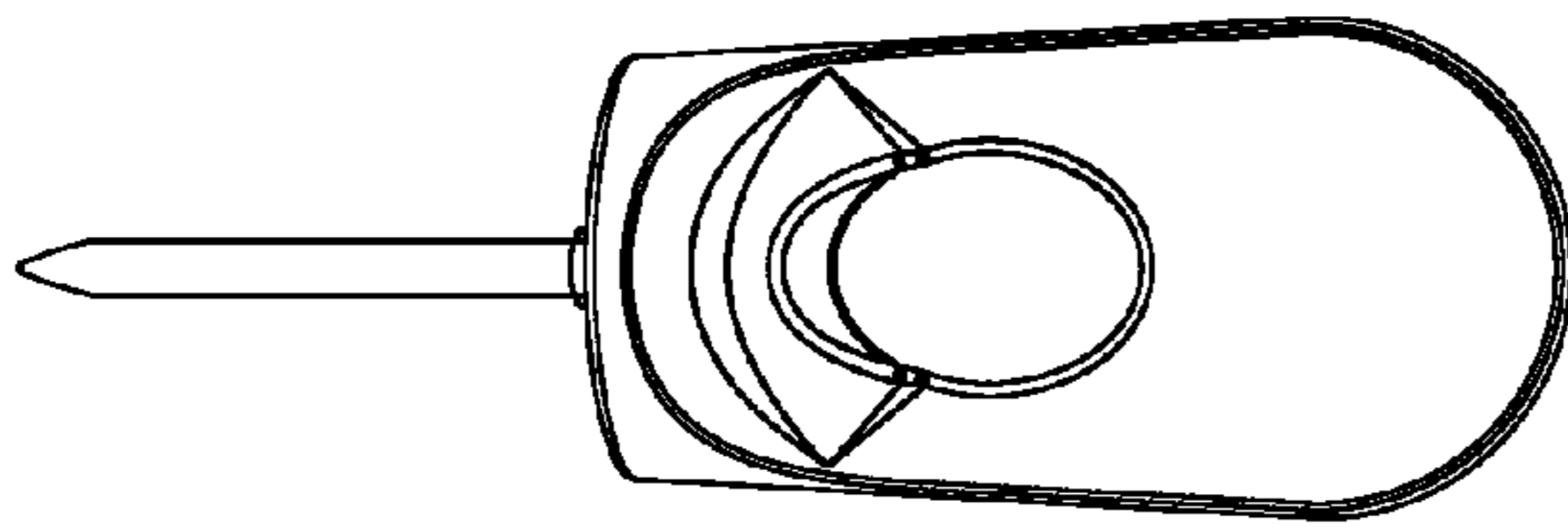


Fig. 3

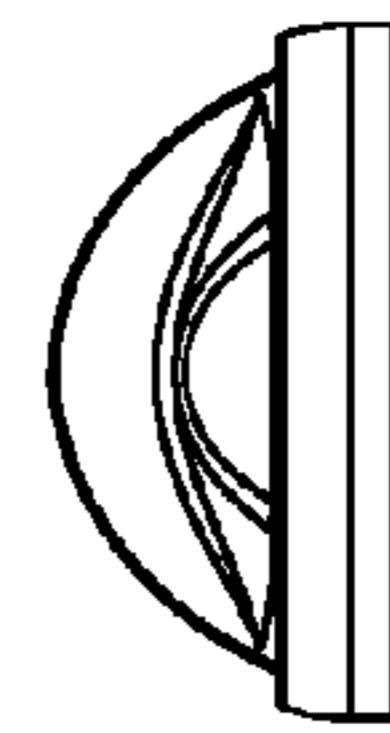


Fig. 4

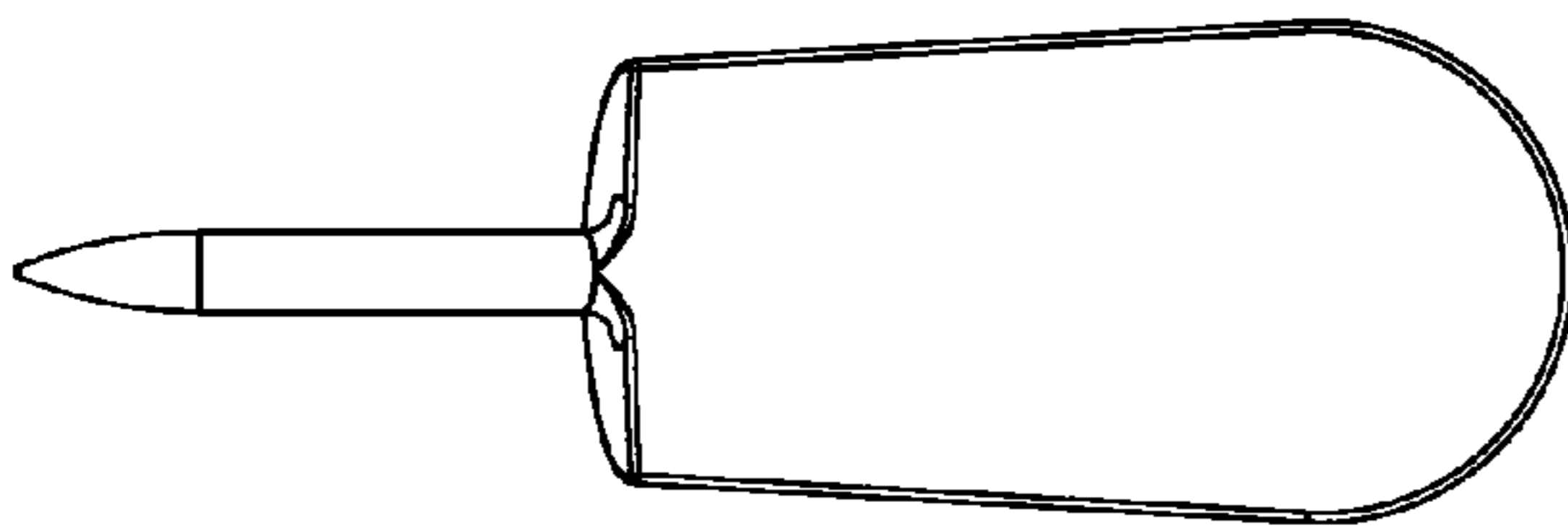


Fig. 5

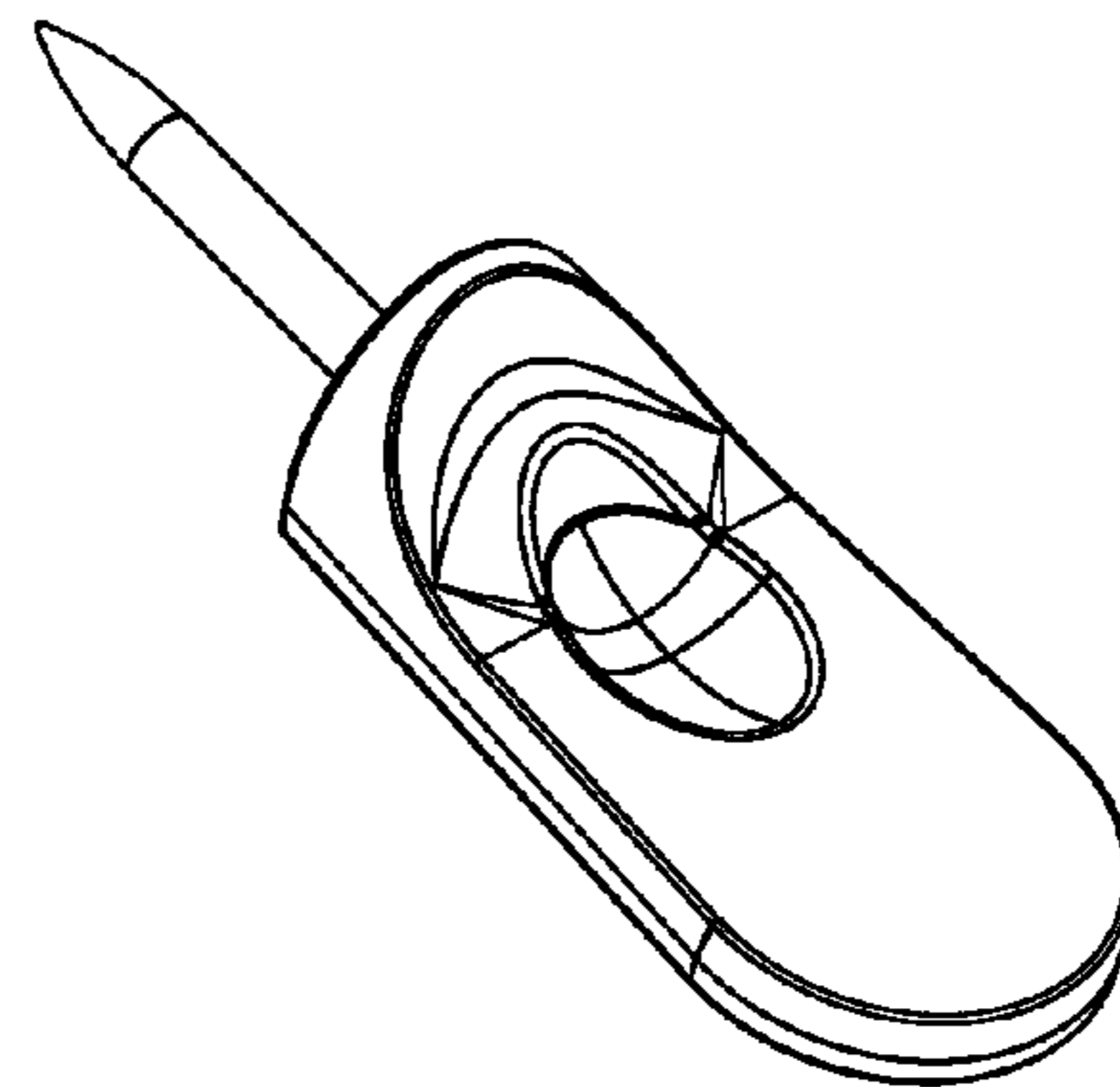


Fig. 6