



US00D554718S

(12) **United States Design Patent**  
**Johnson**

(10) **Patent No.:** **US D554,718 S**

(45) **Date of Patent:** **\*\* Nov. 6, 2007**

(54) **PUTTER HEAD**

(76) **Inventor:** **Lanny L. Johnson**, 4658 Chippewa Dr., Okemos, MI (US) 48864

(\*\*) **Term:** **14 Years**

(21) **Appl. No.:** **29/262,514**

(22) **Filed:** **Jul. 5, 2006**

(51) **LOC (8) Cl.** ..... **21-02**

(52) **U.S. Cl.** ..... **D21/735; D21/736**

(58) **Field of Classification Search** ..... D21/735-746, D21/759; 473/324-331, 251-256, 340, 341  
See application file for complete search history.

(56) **References Cited**

**U.S. PATENT DOCUMENTS**

- D380,029 S \* 6/1997 Anderson ..... D21/745
- D388,143 S \* 12/1997 Huan-Chiang ..... D21/745
- D444,194 S \* 6/2001 Calabro ..... D21/738

\* cited by examiner

*Primary Examiner*—Mitchell Siegel

(74) *Attorney, Agent, or Firm*—Wilson Daniel Swayze, Jr.

(57) **CLAIM**

The ornamental design for a putter head, as shown and described.

**DESCRIPTION**

FIG. 1 illustrates a bottom view of the putter head of the present invention;

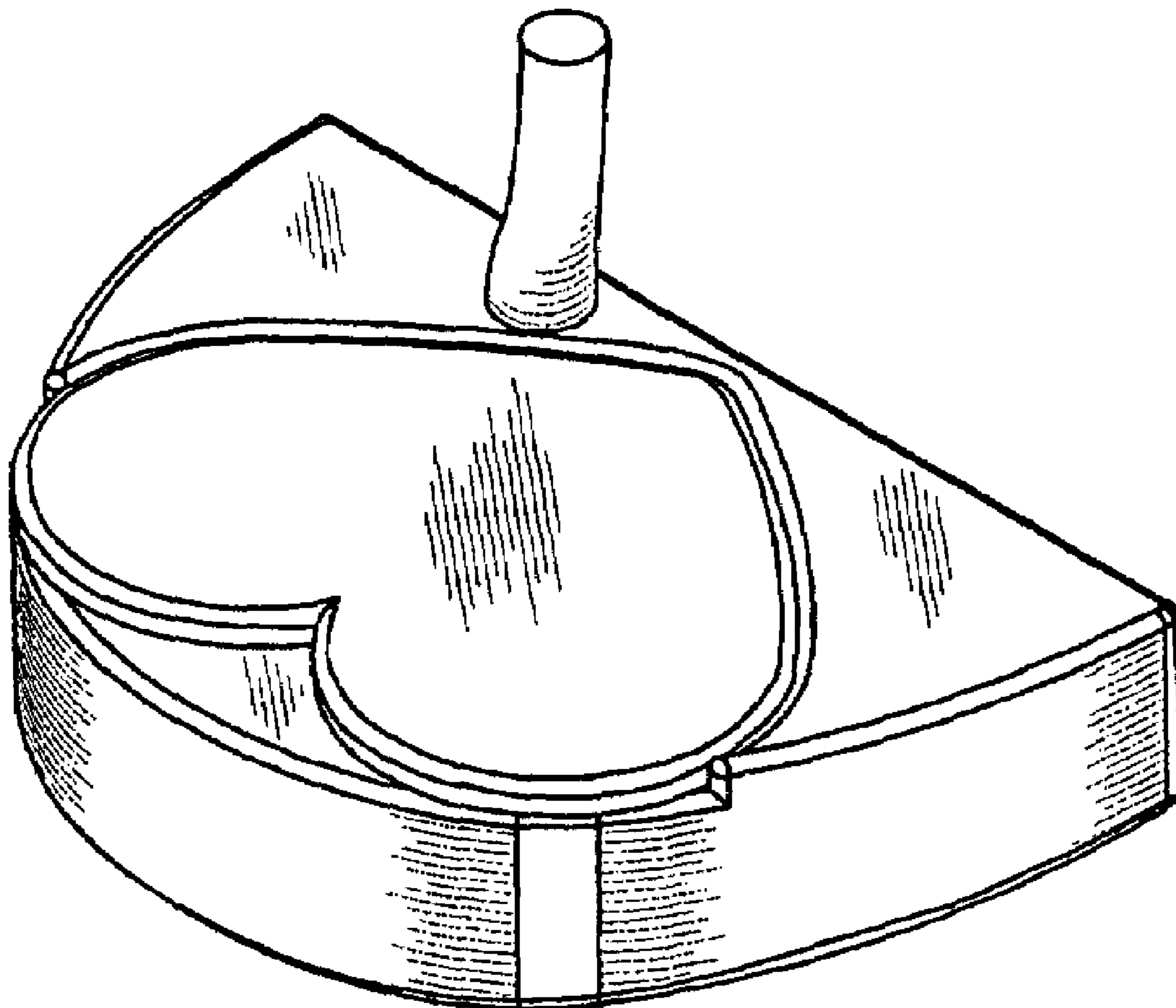
FIG. 2 illustrates the rear view of the putter head of the present invention;

FIG. 3 illustrates a perspective view of the putter head of the present invention;

FIG. 4 illustrates right side of the putter head of the present invention; and,

FIG. 5 illustrates a top view of the putter head of the present invention.

**1 Claim, 2 Drawing Sheets**



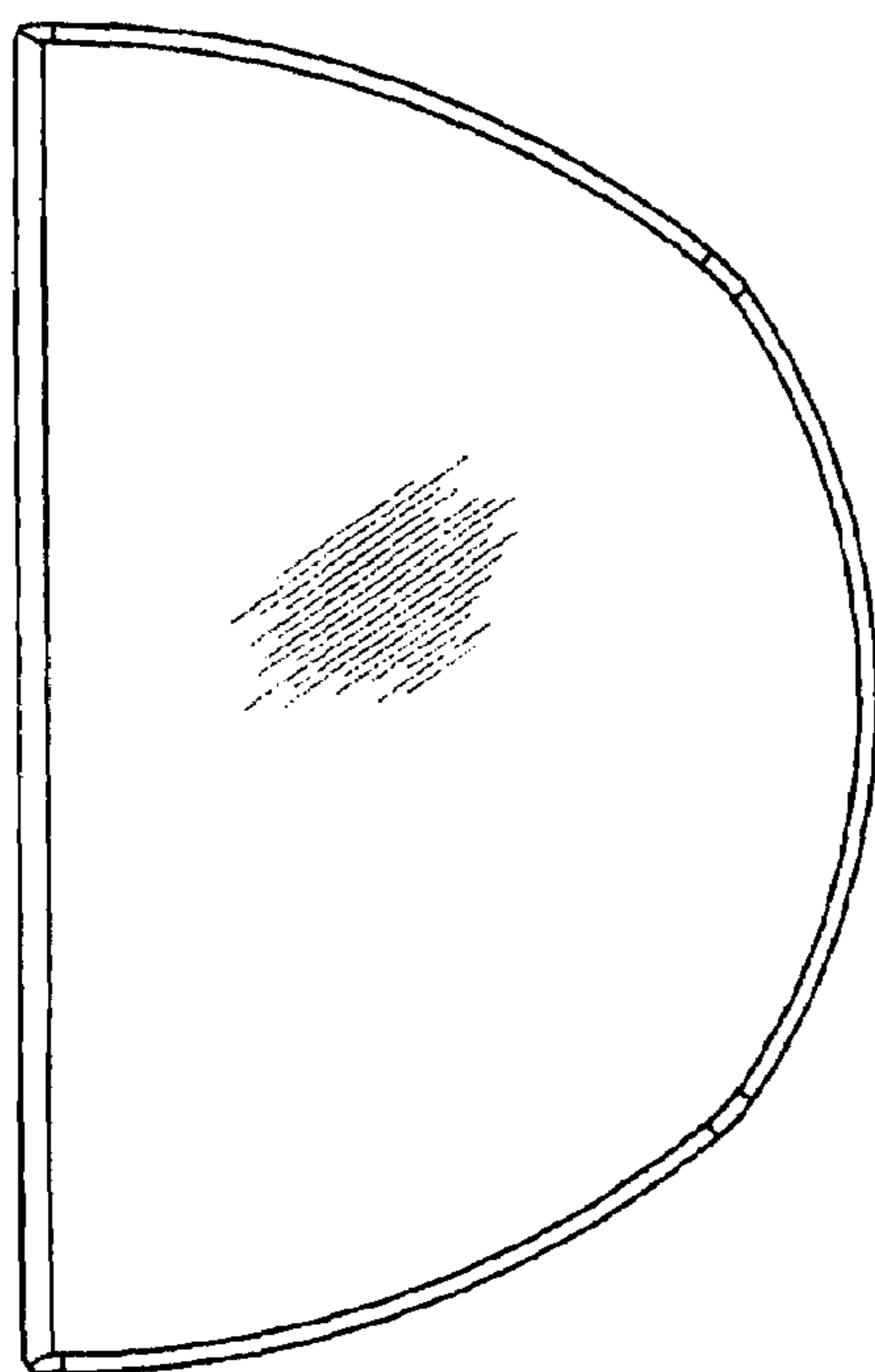


FIG. 1

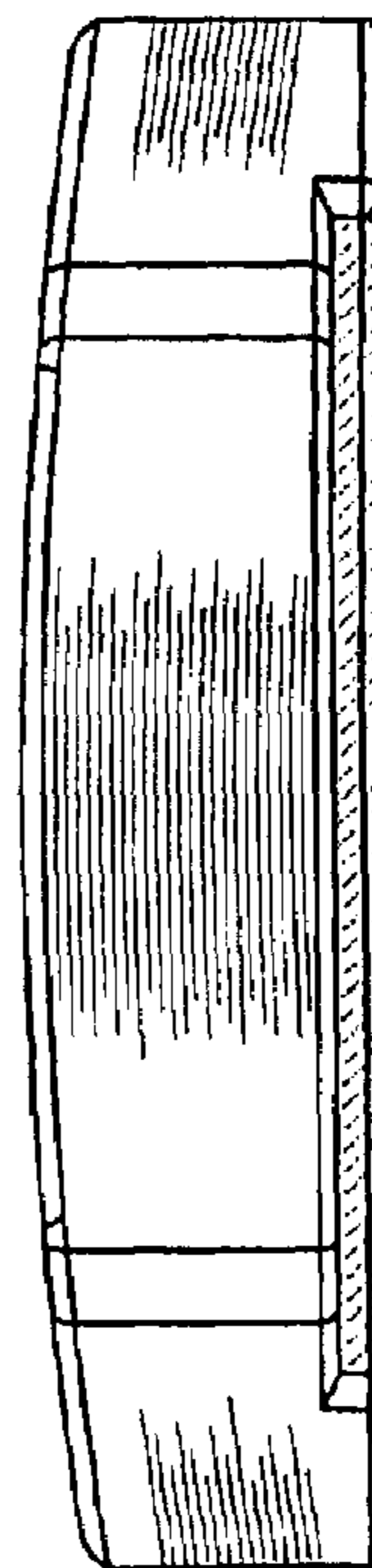


FIG. 2

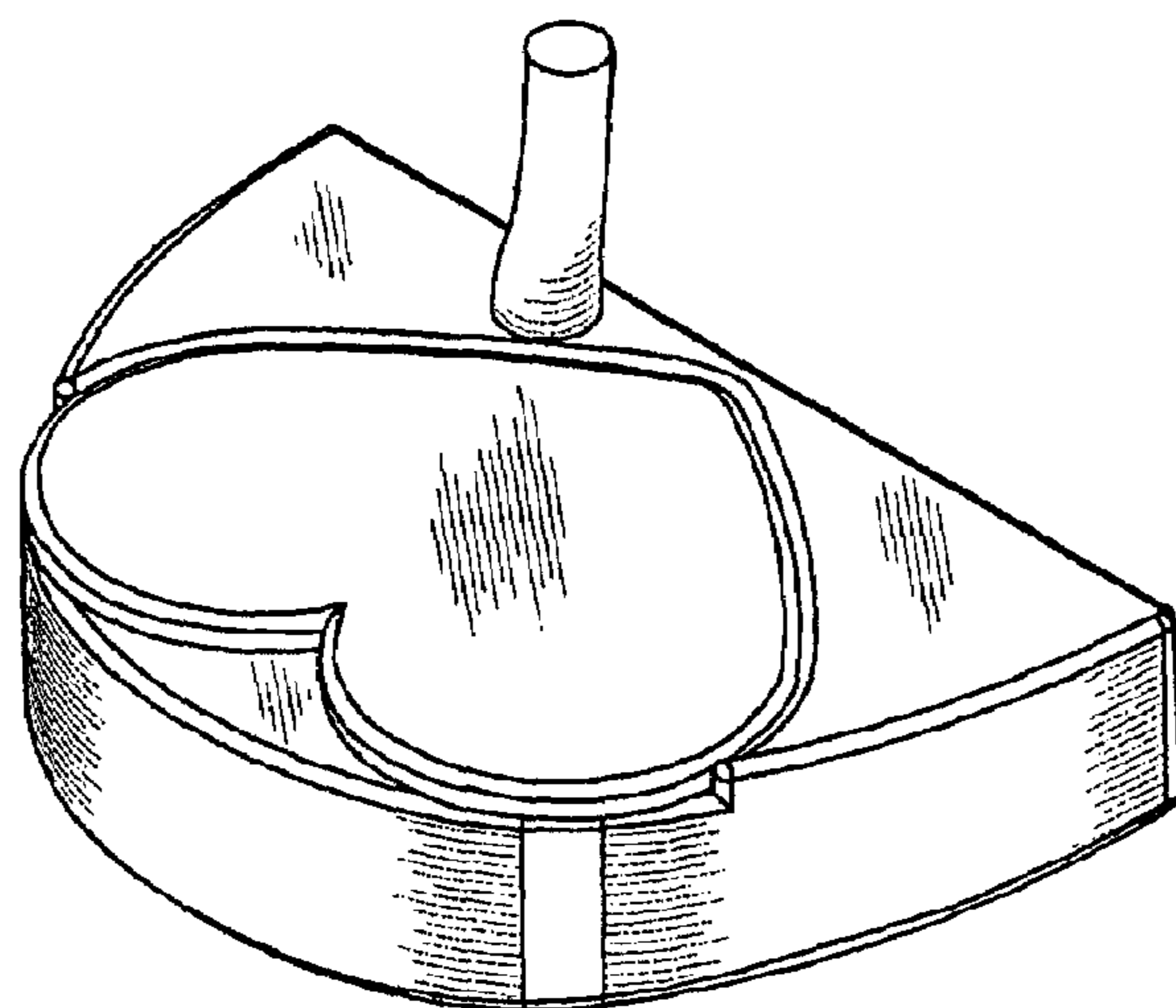


FIG. 3

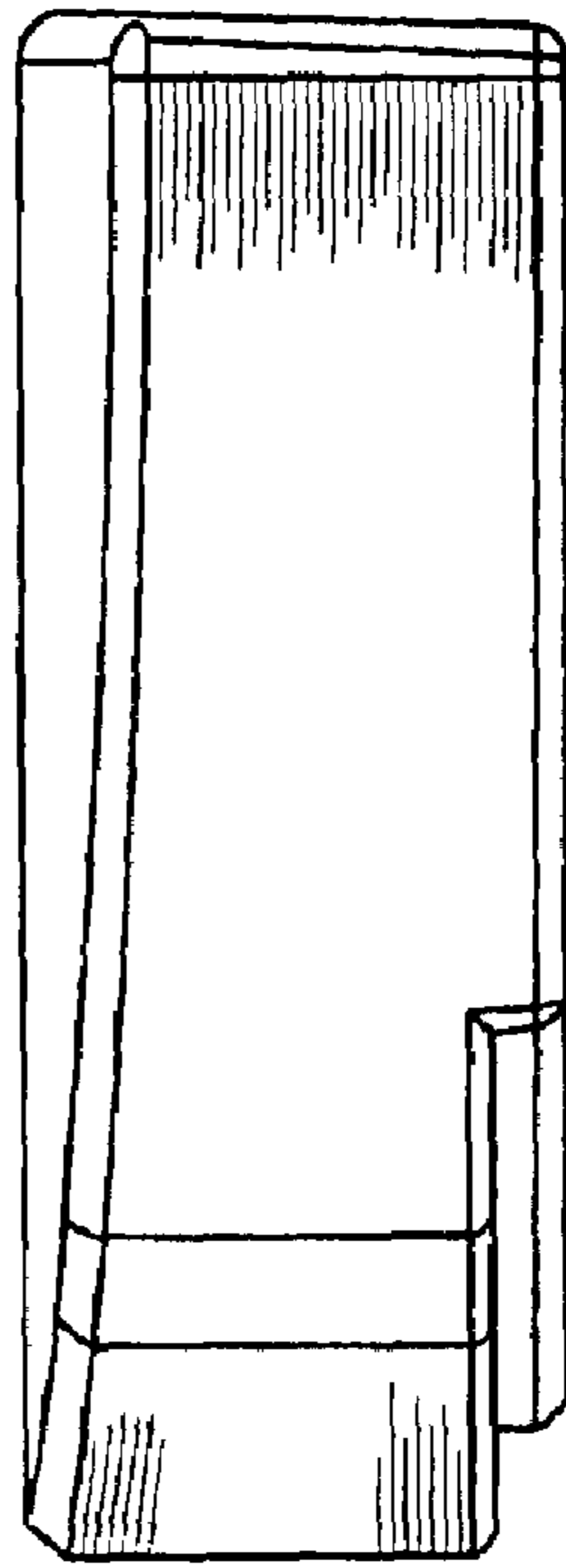


FIG. 4

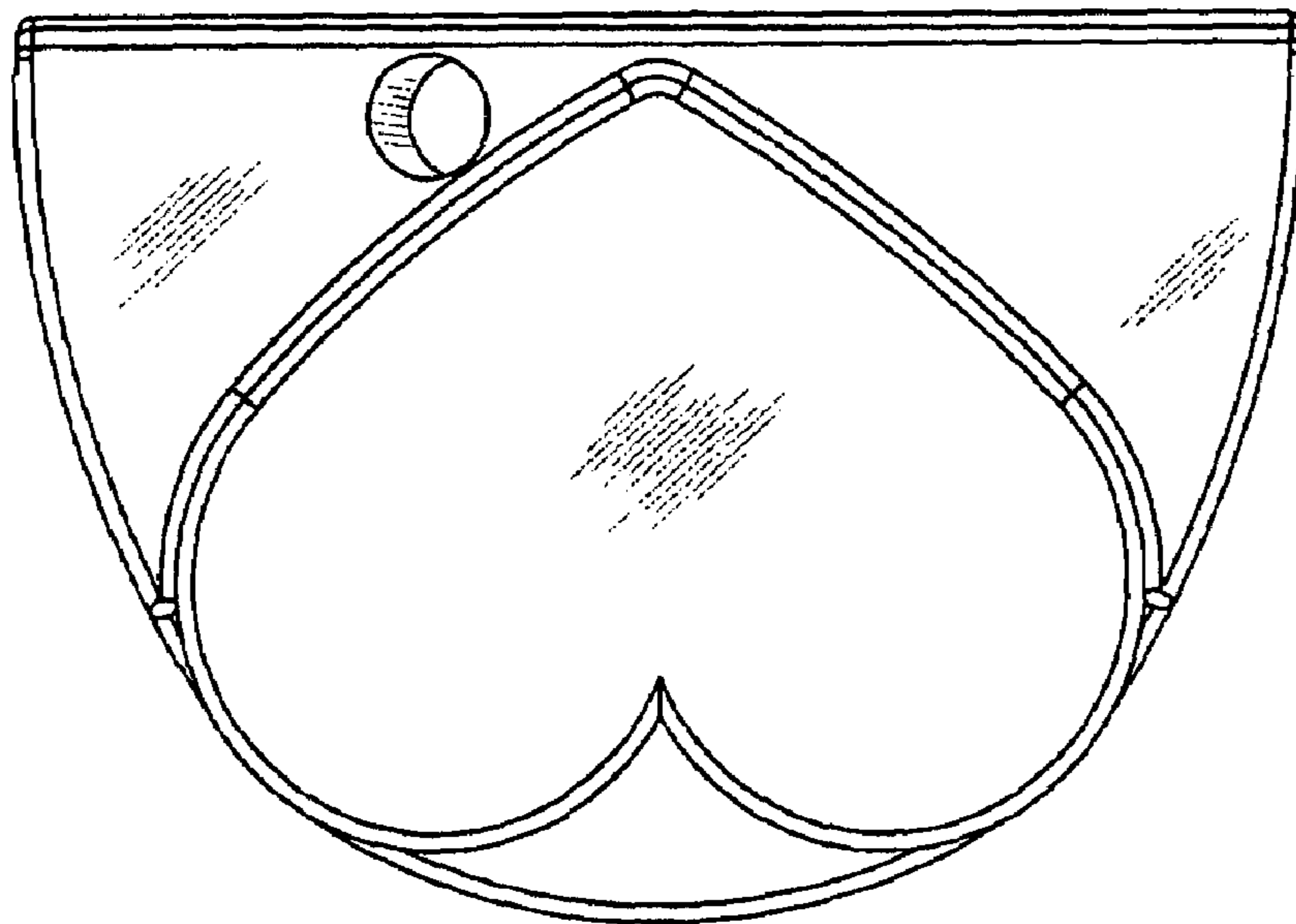


FIG. 5