



US00D554716S

(12) **United States Design Patent**  
**Seeley**

(10) **Patent No.:** **US D554,716 S**

(45) **Date of Patent:** **\*\* Nov. 6, 2007**

(54) **LEG SYSTEM FOR A SPORTS TRAINING APPARATUS**

(76) Inventor: **Louis Seeley**, c/o Schweitzer Cornman Gross & Bondell LLP, 292 Madison Ave., 19th Floor, New York, NY (US) 10017

(\*\*) Term: **14 Years**

(21) Appl. No.: **29/285,585**

(22) Filed: **Apr. 2, 2007**

(51) **LOC (8) Cl.** ..... **20-02**

(52) **U.S. Cl.** ..... **D21/698; D21/715**

(58) **Field of Classification Search** ..... D21/301-309, D21/698-705, 715, 719, 780, 781, 787, 798, D21/789-796, 799.1, 814, 828-833; D6/366, D6/411, 415, 431, 455, 458, 462, 466, 486-489, D6/498; D11/130.1, 181, 182; D25/133; D16/244; 473/415-504; 273/317.3, 331-335, 273/348-412; 248/176.1-188.91, 519-529, 248/431, 460, 463, 464, 121-125.9, 163.1, 248/165, 346.01, 346.03, 346.04, 346.05, 248/346.3, 346.5, 910

See application file for complete search history.

(56) **References Cited**

**U.S. PATENT DOCUMENTS**

1,653,772 A \* 12/1927 Knoche ..... 248/122.1  
3,860,931 A \* 1/1975 Pope et al. .... 343/709

5,441,267 A \* 8/1995 Alder ..... 473/173  
5,869,151 A \* 2/1999 Chong ..... 428/18  
D415,805 S \* 10/1999 Wygonik ..... D21/715  
D469,278 S \* 1/2003 Lippert ..... D6/466  
2003/0032506 A1 \* 2/2003 Chi ..... 473/417  
2003/0224880 A1 \* 12/2003 Hansberry ..... 473/430  
2006/0205540 A1 \* 9/2006 Liu ..... 473/417

\* cited by examiner

*Primary Examiner*—Catherine Tuttle

(74) *Attorney, Agent, or Firm*—Schweitzer Cornman Gross & Bondell LLP

(57) **CLAIM**

The ornamental design for a leg system for a sports training apparatus, as shown and described.

**DESCRIPTION**

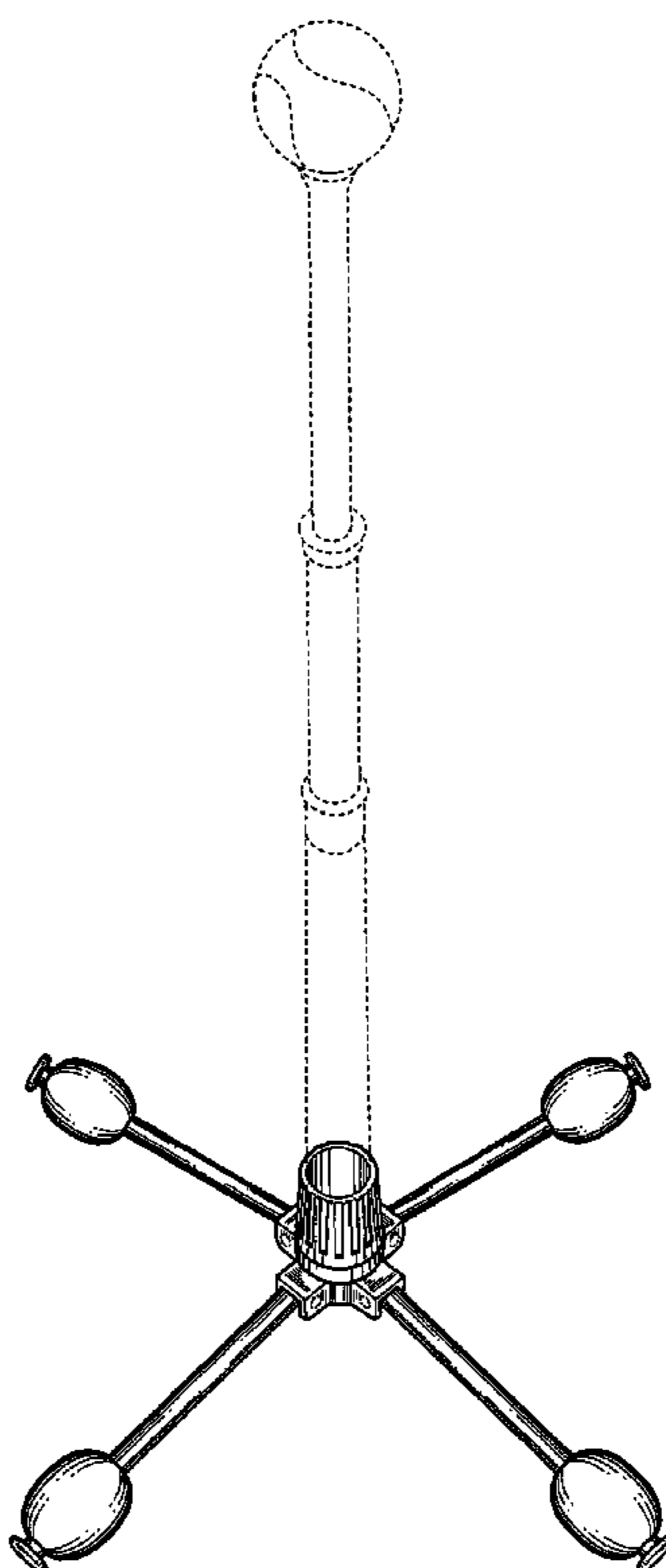
FIG. 1 is a perspective view of a leg system for a sports training apparatus having my new design. The broken lines shown on the lower central structure in FIGS. 1-4 are included for the purpose of illustration portions of the article that form no part of the claimed design; and the broken lines overlying the leg system in FIG. 1 represent unclaimed environmental structure.

FIG. 2 is a top plan view thereof;

FIG. 3 is a front elevation view thereof, right and left side and rear elevation views each being identical thereto; and,

FIG. 4 is a bottom plan view thereof.

**1 Claim, 3 Drawing Sheets**



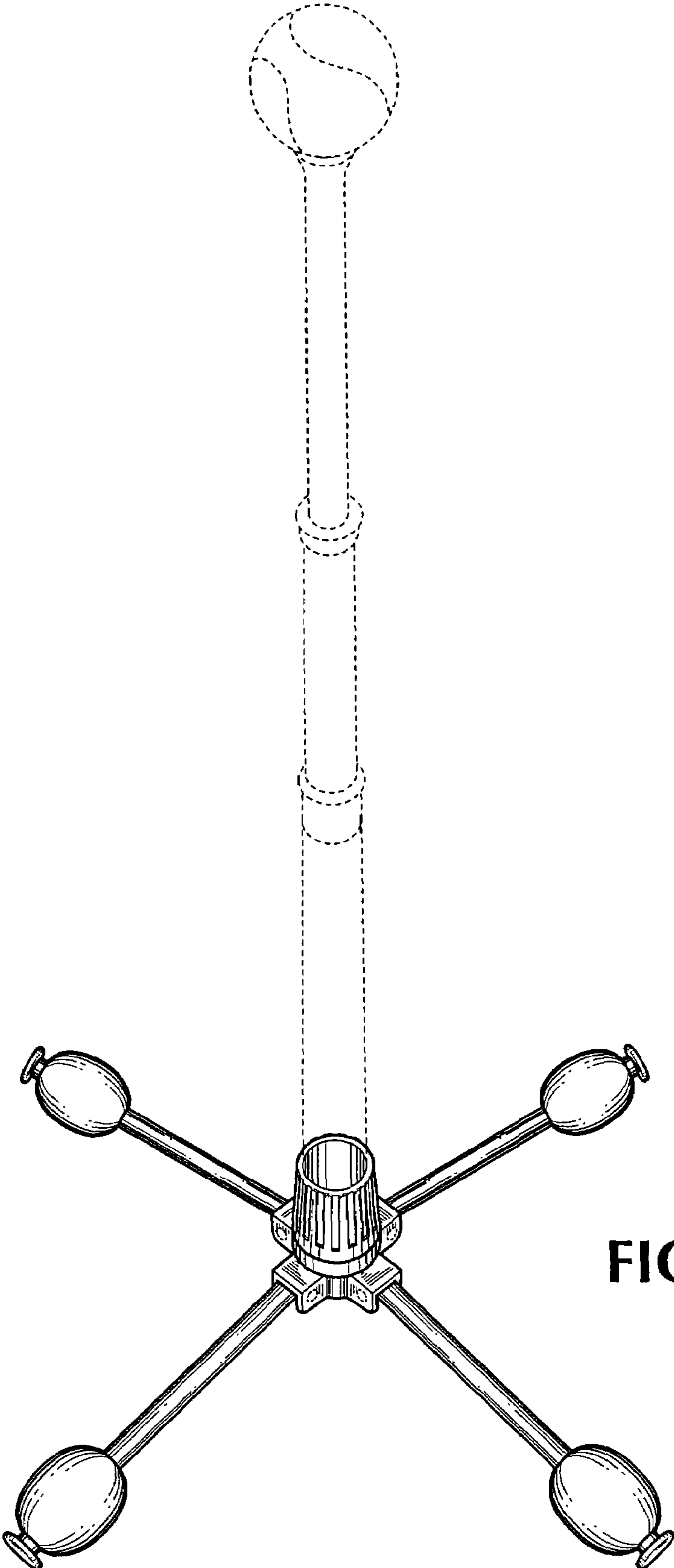


FIG. 1

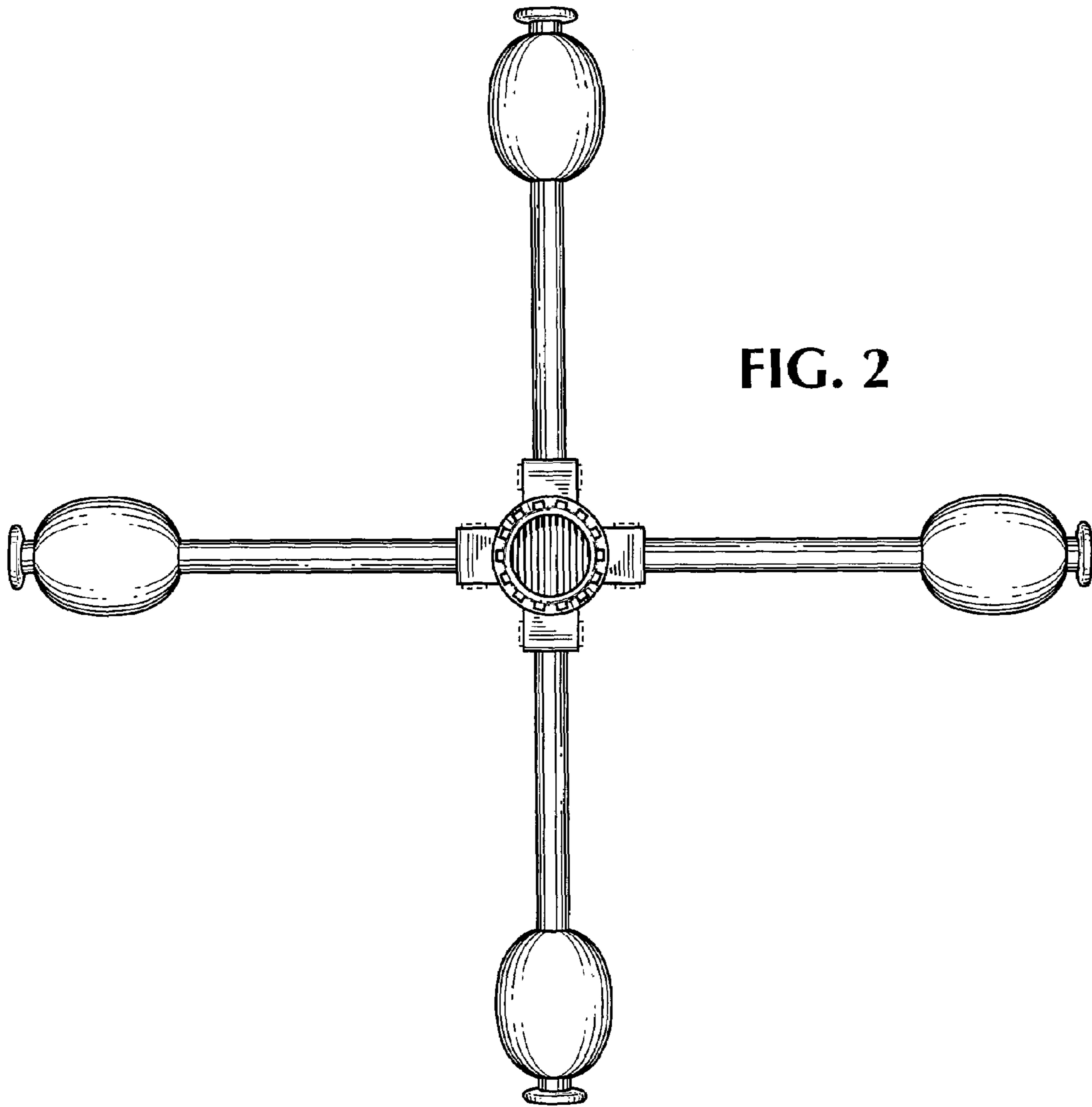


FIG. 2

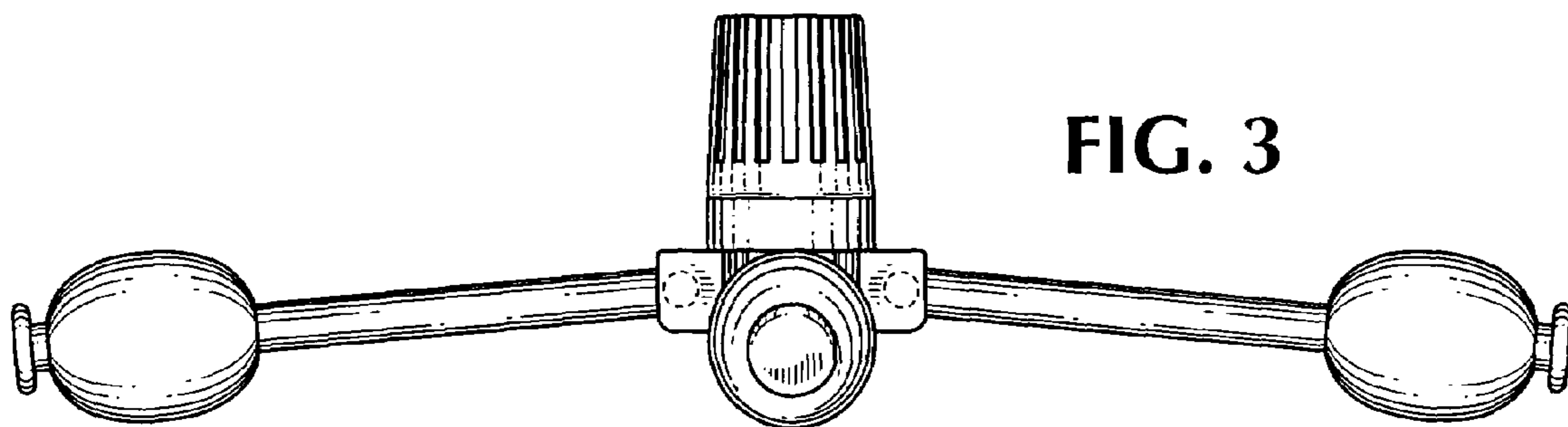


FIG. 3

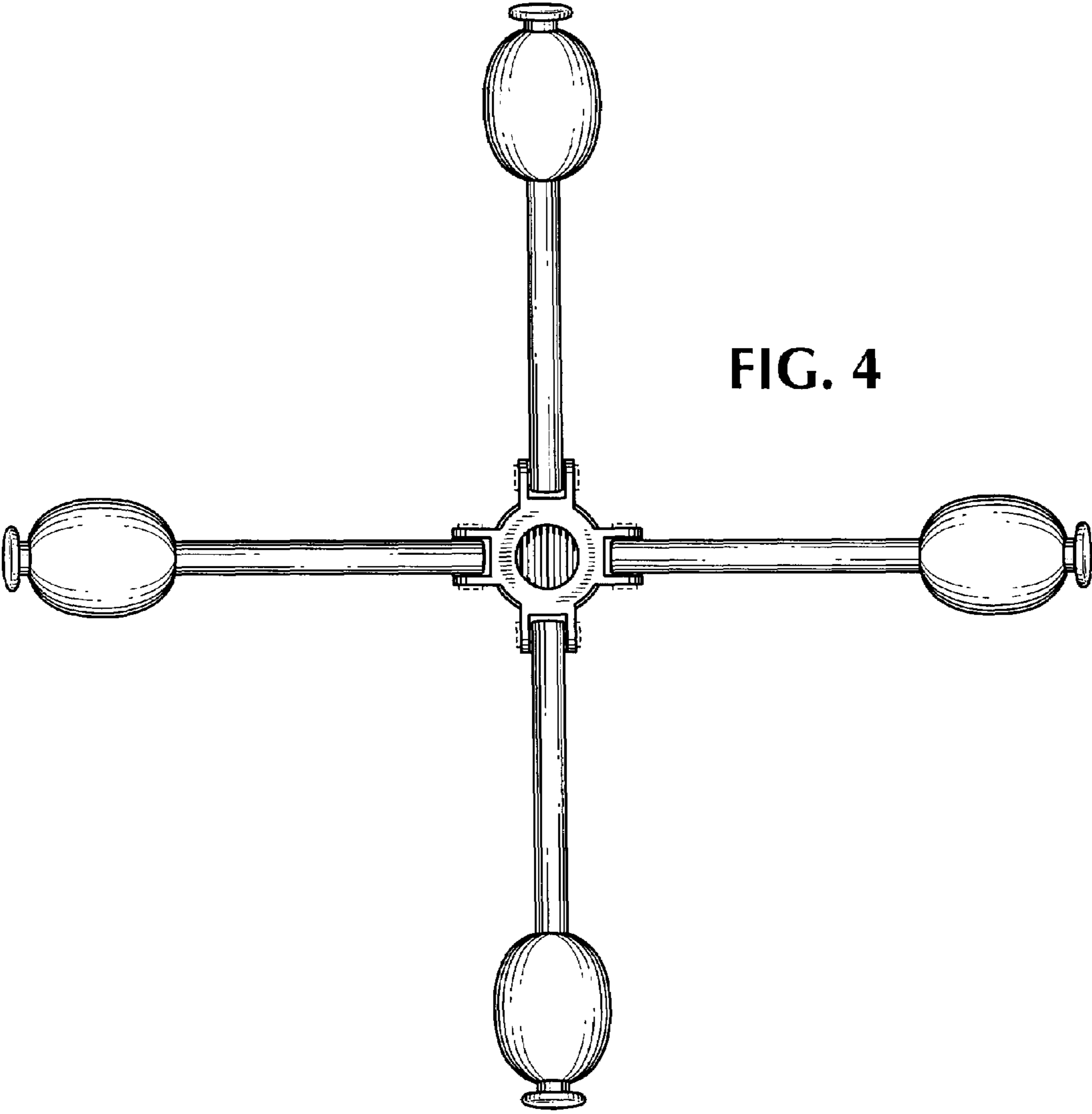


FIG. 4