



US00D554715S

(12) **United States Design Patent**
Giannelli et al.

(10) **Patent No.:** **US D554,715 S**

(45) **Date of Patent:** **** Nov. 6, 2007**

(54) **PAIR OF HANDLE ASSEMBLIES FOR A
CROSS TRAINING EXERCISE DEVICE**

(75) Inventors: **Raymond Giannelli**, Franklin, MA
(US); **Scott Lee**, Pomfret, CT (US)

(73) Assignee: **Cybox International, Inc.**, Medway,
MA (US)

(**) Term: **14 Years**

(21) Appl. No.: **29/249,902**

(22) Filed: **Oct. 26, 2006**

Related U.S. Application Data

(63) Continuation-in-part of application No. 11/250,901,
filed on Oct. 14, 2005, and a continuation-in-part of
application No. 11/243,891, filed on Oct. 5, 2005, and
a continuation-in-part of application No. 10/294,017,
filed on Nov. 13, 2002.

(51) **LOC (8) Cl.** **21-02**

(52) **U.S. Cl.** **D21/694**

(58) **Field of Classification Search** D21/662,
D21/663, 664, 666, 668, 669, 670, 694, 697;
482/51, 52, 53, 54, 57

See application file for complete search history.

(56) **References Cited**

U.S. PATENT DOCUMENTS

5,674,156 A * 10/1997 Watterson et al. 482/54
D414,518 S * 9/1999 Wang et al. D21/669
D421,779 S * 3/2000 Piaget et al. D21/669

D445,152 S * 7/2001 Wang et al. D21/669
D478,365 S * 8/2003 Giannelli et al. D21/668
D489,101 S * 4/2004 Giannelli et al. D21/668
D493,201 S * 7/2004 Giannelli et al. D21/668
6,783,482 B2 * 8/2004 Oglesby et al. 482/54
6,918,858 B2 * 7/2005 Watterson et al. 482/54
D527,060 S * 8/2006 Flick et al. D21/669
7,097,593 B2 * 8/2006 Chang 482/54
D534,973 S * 1/2007 Flick et al. D21/669

* cited by examiner

Primary Examiner—Philip S. Hyder

(74) *Attorney, Agent, or Firm*—Rissman Jobse Hendricks
Oliverio LLP

(57) **CLAIM**

We claim the ornamental design for the pair of handle
assemblies for a cross training exercise device, as shown.

DESCRIPTION

FIG. 1 is right side perspective view;

FIG. 2 is a right side elevational view, the left side view
being a mirror image thereof.

FIG. 3 is a rear elevational view.

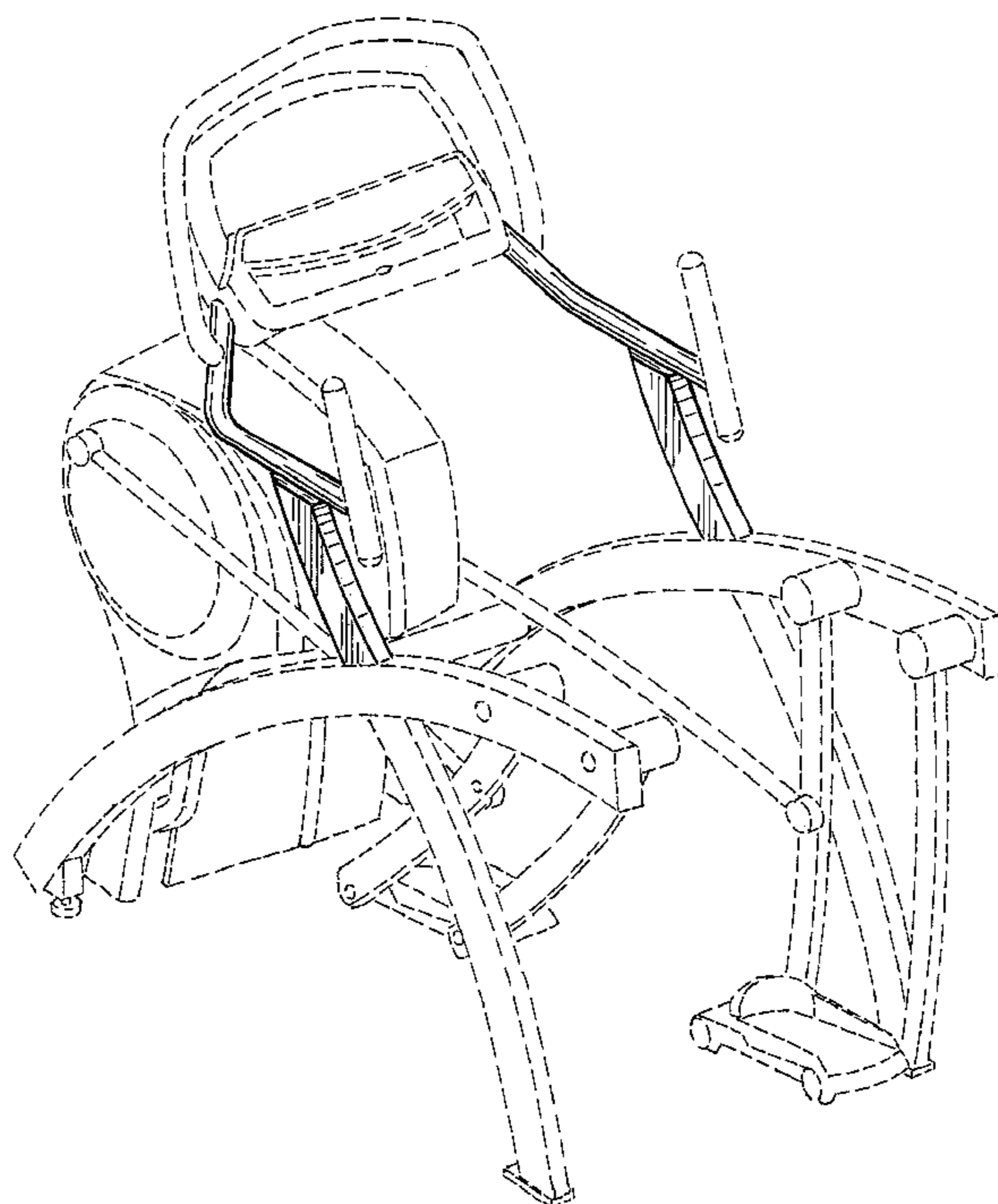
FIG. 4 is a front elevation view.

FIG. 5 is a top plan view; and,

FIG. 6 is a bottom plan view.

The broken line portions of the cross training exerciser are
included for the purpose of illustrating environment and
form no part of the claimed design.

1 Claim, 3 Drawing Sheets



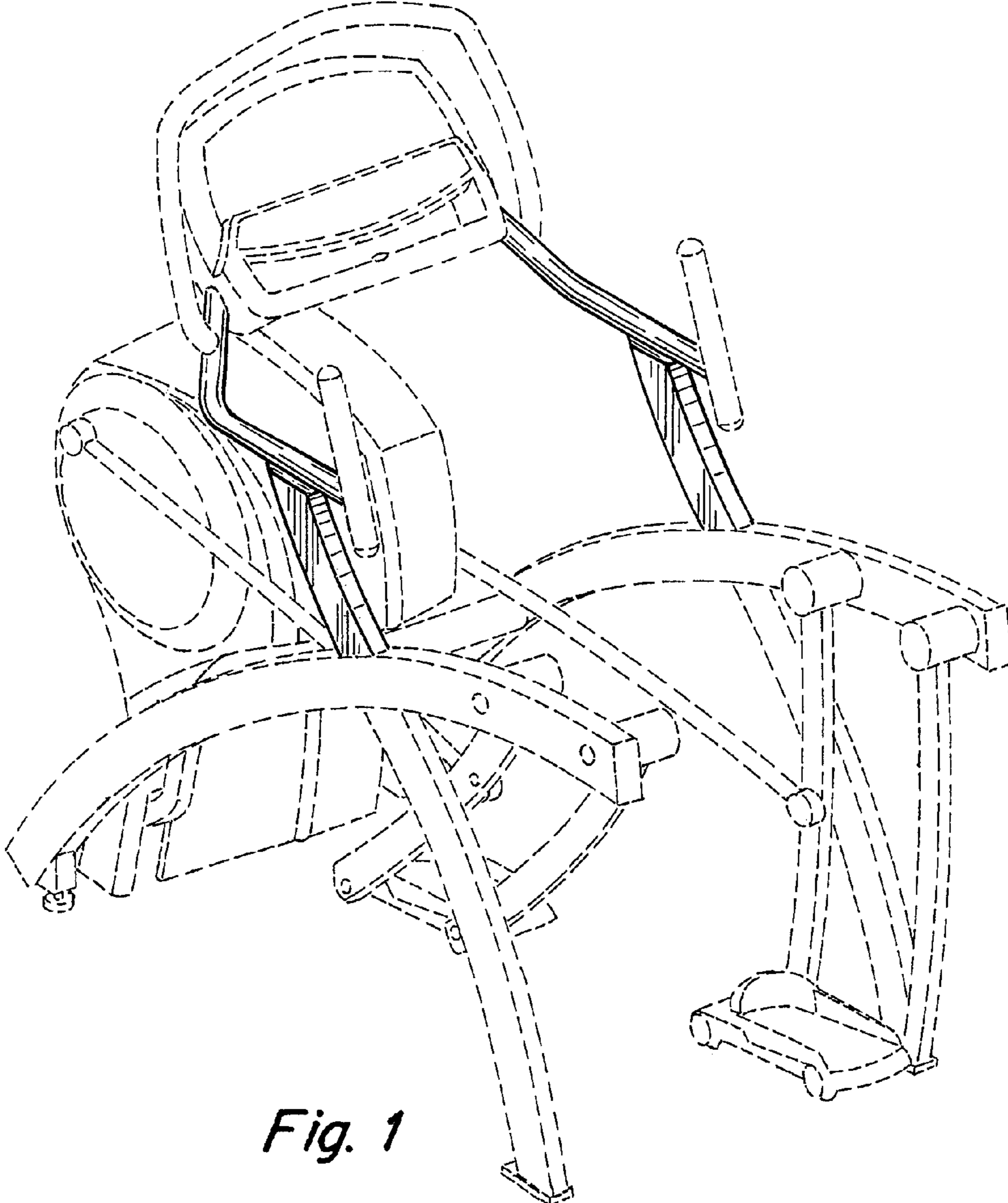


Fig. 1

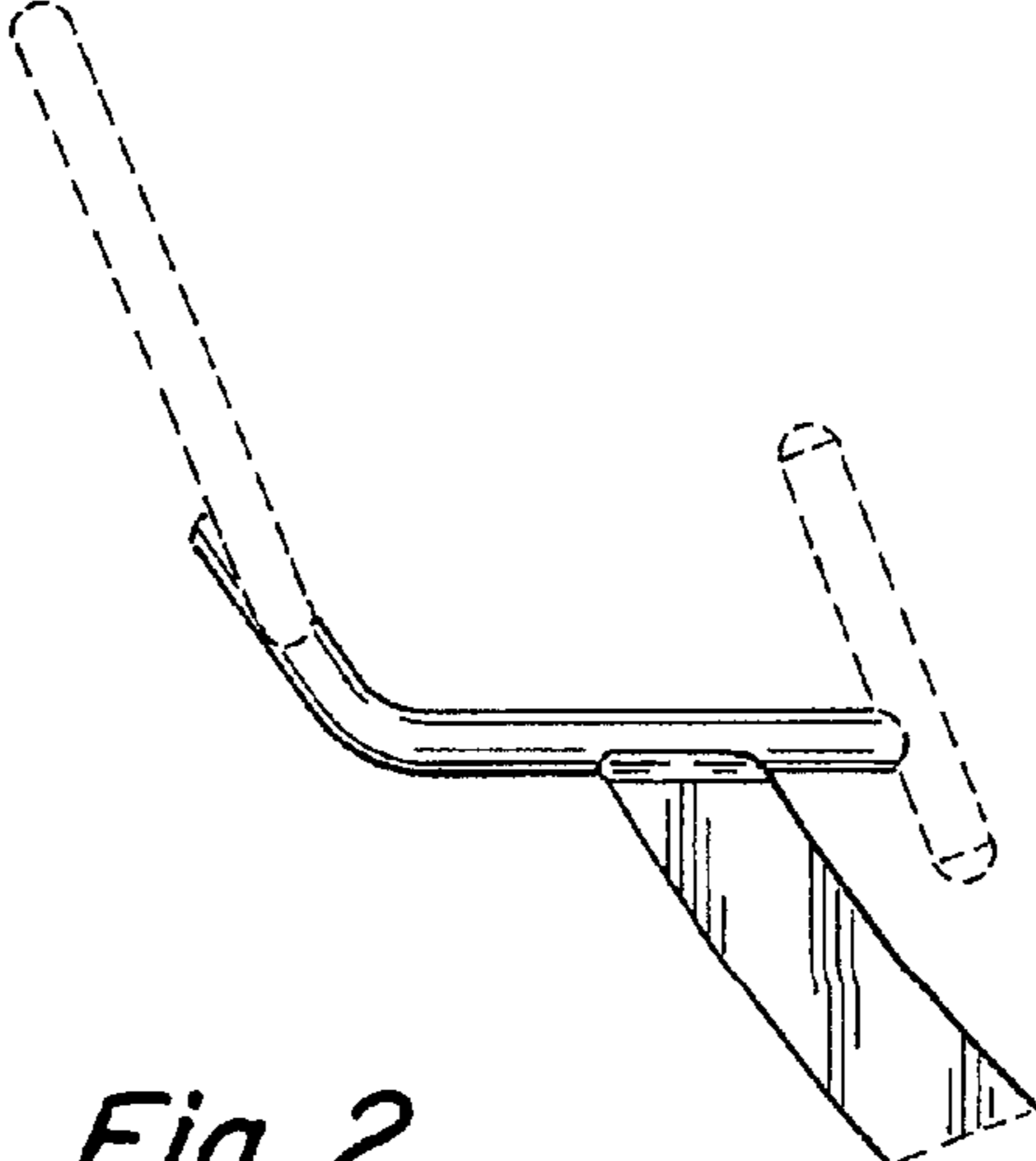


Fig. 2

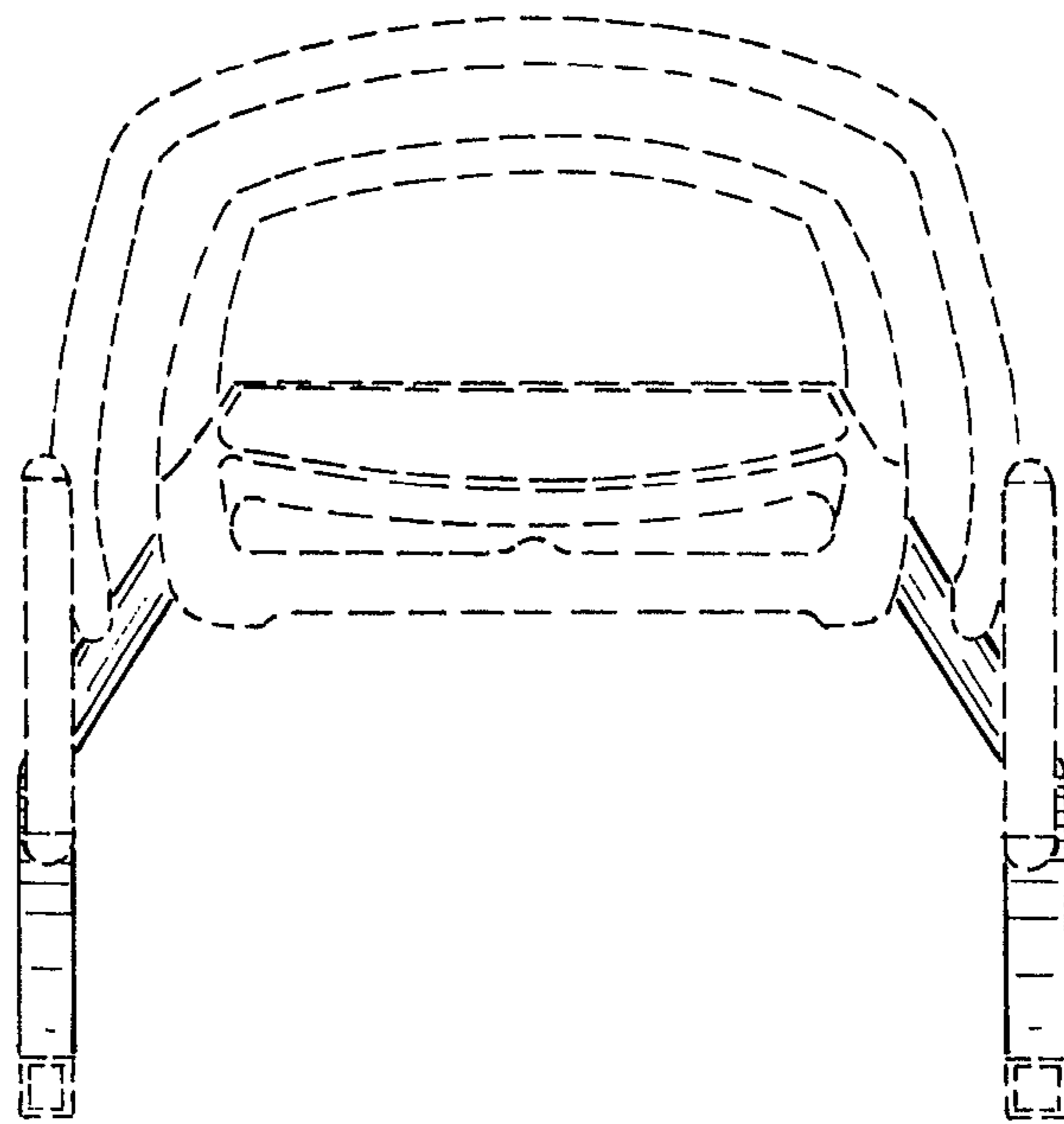


Fig. 3

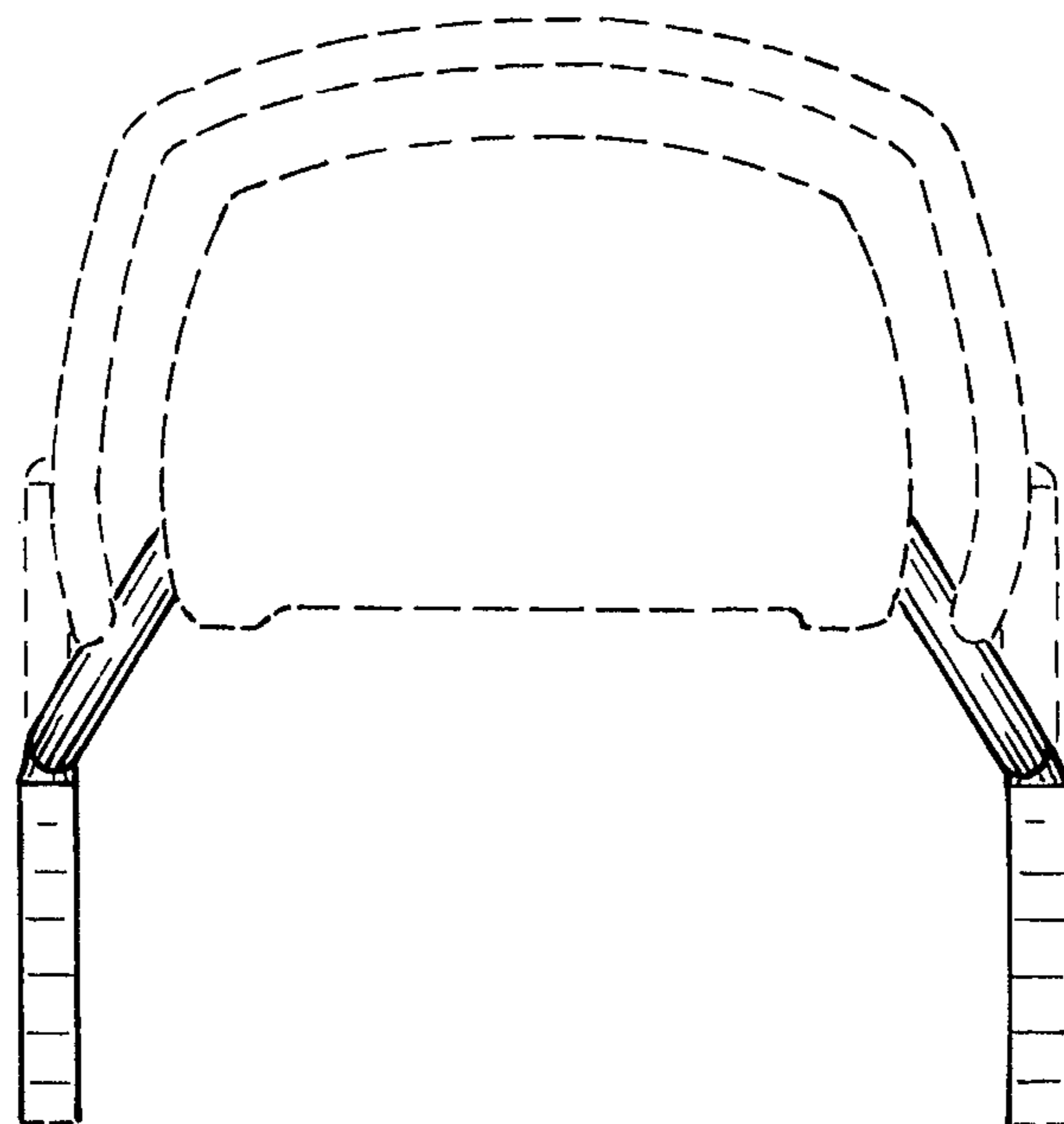


Fig. 4

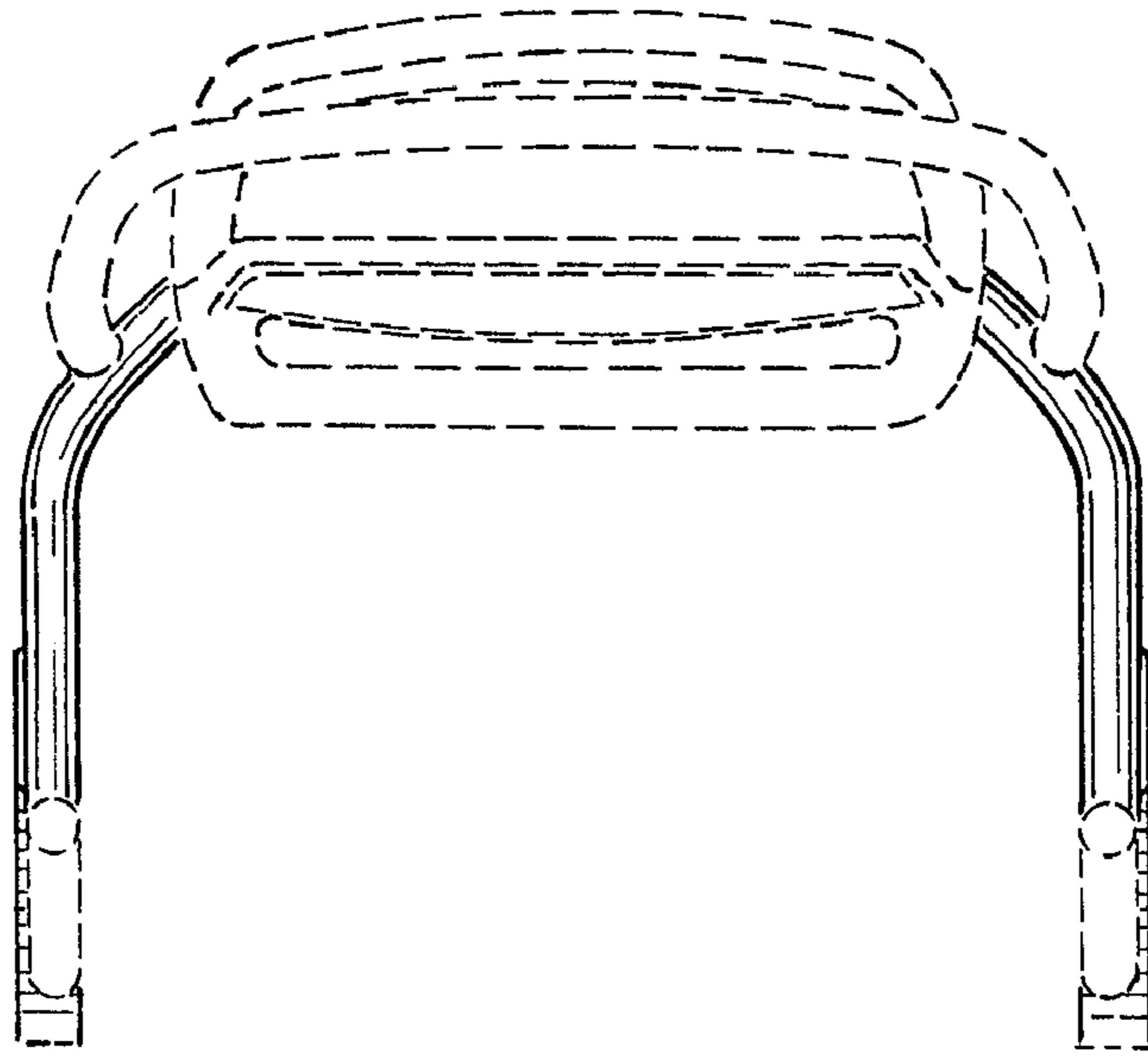


Fig. 5

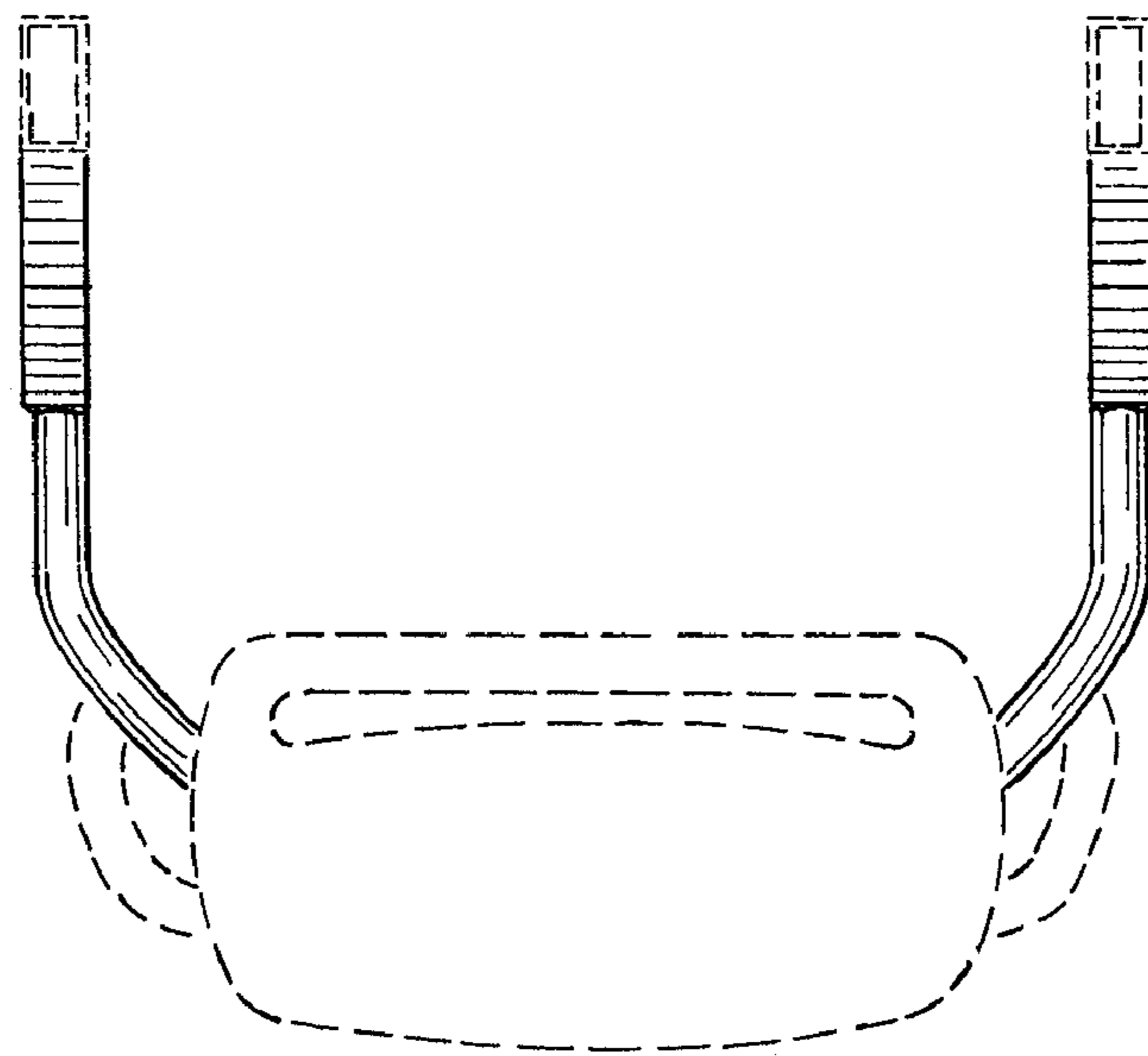


Fig. 6