



US00D554708S

(12) **United States Design Patent**
Gutknecht et al.

(10) **Patent No.:** **US D554,708 S**
(45) **Date of Patent:** **** Nov. 6, 2007**

(54) **GAMING MACHINE**

(75) Inventors: **Leroy H. Gutknecht**, Las Vegas, NV (US); **Jefferson C. Lind**, Austin, TX (US); **Clifton E. Lind**, Austin, TX (US); **Matthew H. Haga**, Austin, TX (US); **Frank C. DeSimone**, Henderson, NV (US); **Brendan M. O'Connor**, Austin, TX (US); **Clint A. Owen**, Rockdale, TX (US)

(73) Assignee: **Multimedia Games, Inc.**, Austin, TX (US)

(**) Term: **14 Years**

(21) Appl. No.: **29/250,444**

(22) Filed: **Nov. 14, 2006**

(51) **LOC (8) Cl.** **21-03**

(52) **U.S. Cl.** **D21/370**

(58) **Field of Classification Search** D21/325, D21/329, 369-371; D14/305, 307, 336, D14/900-902; 463/16-17, 20, 25, 42, 46-47
See application file for complete search history.

(56) **References Cited**

U.S. PATENT DOCUMENTS

1,471,757 A	10/1923	Thiriot
1,692,064 A	11/1928	Trogner
3,401,992 A	9/1968	Benson et al.
D267,654 S	1/1983	Nadel
4,861,121 A	8/1989	Gotz
4,881,744 A	11/1989	Hansen
D306,464 S	3/1990	Axtell
5,013,104 A	5/1991	Knoppel et al.
5,061,023 A	10/1991	Soubliere et al.
5,090,785 A	2/1992	Stamp
5,276,524 A	1/1994	Inoue et al.
5,813,914 A	9/1998	McKay et al.
6,005,641 A	12/1999	Ui
6,042,115 A	3/2000	Ward

6,161,805 A	12/2000	Wells
6,201,532 B1	3/2001	Tode et al.
6,201,703 B1	3/2001	Yamada et al.
D451,153 S	11/2001	Hedrick et al.
6,446,920 B1	9/2002	Wells et al.
6,474,758 B1	11/2002	Hedrick et al.
D467,284 S *	12/2002	Yamanaka D21/370

(Continued)

Primary Examiner—Sandra L. Morris
(74) *Attorney, Agent, or Firm*—Russell D. Culbertson; The Culbertson Group, P.C.

(57) **CLAIM**

The ornamental design for a gaming machine, as shown.

DESCRIPTION

A gaming machine embodying the ornamental design disclosed herein is intended to be mounted on a pedestal and used by a player to participate in wagering or other games.

FIG. 1 is a left perspective view of gaming machine embodying the ornamental design according to the present invention.

FIG. 2 is a right perspective view of the gaming machine shown in FIG. 1.

FIG. 3 is a left side view of the gaming machine shown in FIG. 1.

FIG. 4 is a right side view of the gaming machine shown in FIG. 1.

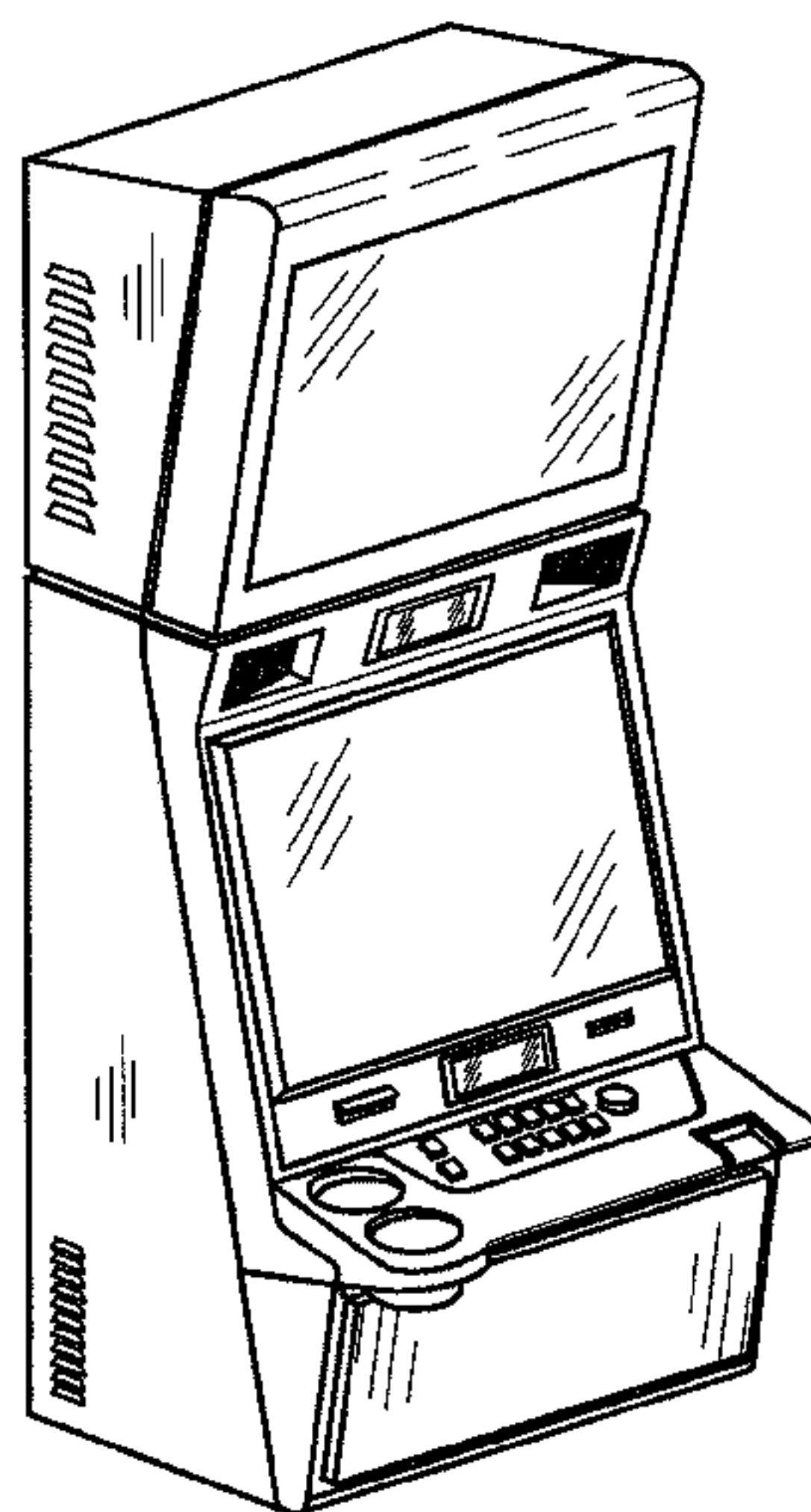
FIG. 5 is a front view of the gaming machine shown in FIG. 1.

FIG. 6 is a rear view of the gaming machine shown in FIG. 1.

FIG. 7 is a top view of the gaming machine shown in FIG. 1; and,

FIG. 8 is a bottom view of the gaming machine shown in FIG. 1.

1 Claim, 3 Drawing Sheets



US D554,708 S

Page 2

U.S. PATENT DOCUMENTS

D468,364 S *	1/2003	Beadell et al.	D21/369	2002/0041069 A1	4/2002	Steelman	
6,688,984 B2	2/2004	Cole		2003/0119574 A1*	6/2003	Yang	463/16
6,860,814 B2	3/2005	Cole		2004/0192444 A1	9/2004	Morrison	
6,886,896 B2	5/2005	Hedrick et al.		2005/0085302 A1	4/2005	Nicastro et al.	
D508,268 S *	8/2005	Hanchar et al.	D21/369	2005/0176509 A1	8/2005	Hirato	
6,958,015 B2	10/2005	Luciano, Jr. et al.		2005/0277477 A1	12/2005	Hajder et al.	
6,962,528 B2	11/2005	Yokota		2006/0003845 A1	1/2006	Hessie, Sr.	
6,976,919 B2	12/2005	Cole		2006/0073900 A1	4/2006	Cole	
6,997,810 B2	2/2006	Cole		2006/0199648 A1*	9/2006	Mitchell et al.	463/46

* cited by examiner

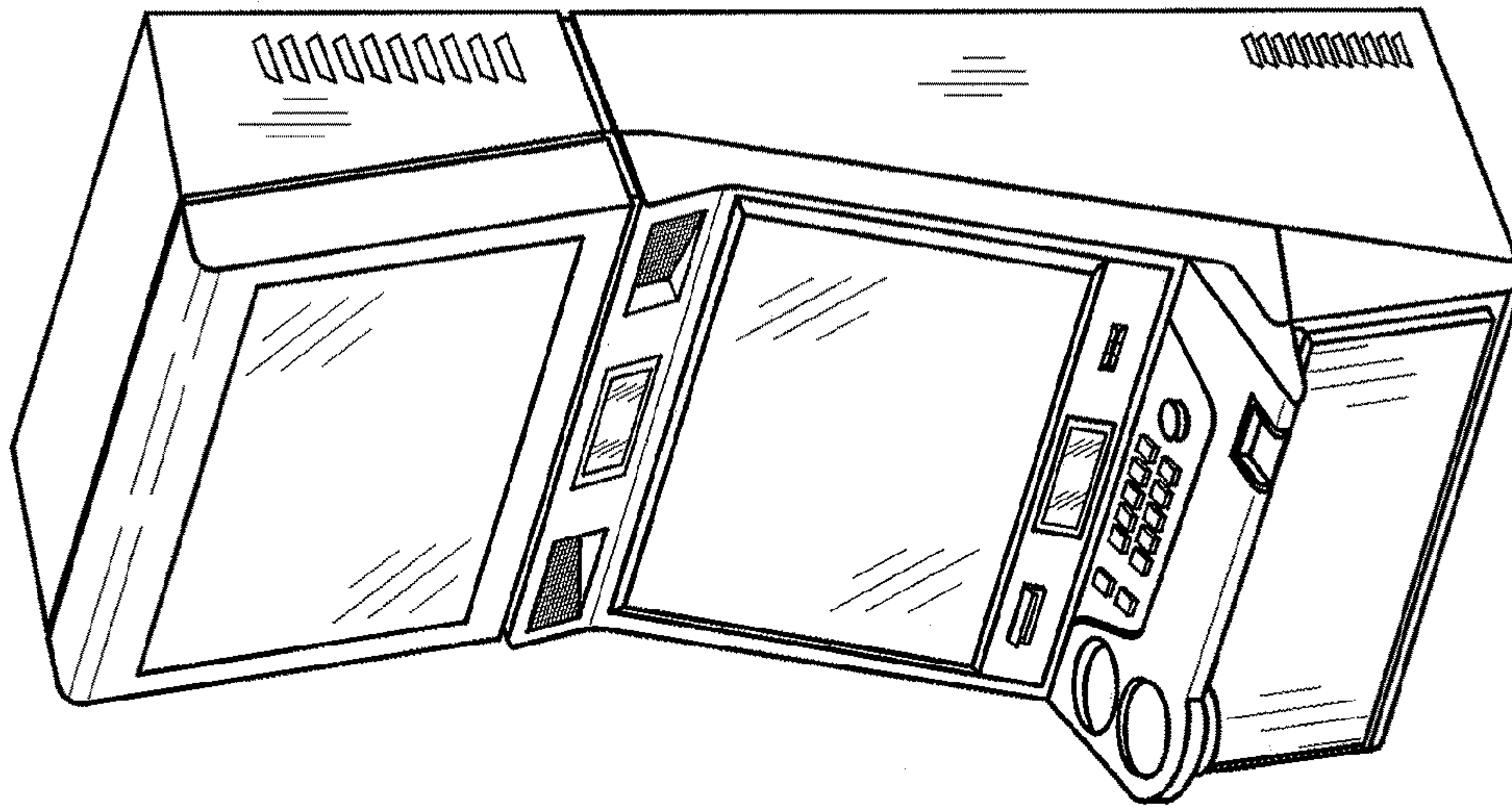


FIG. 2

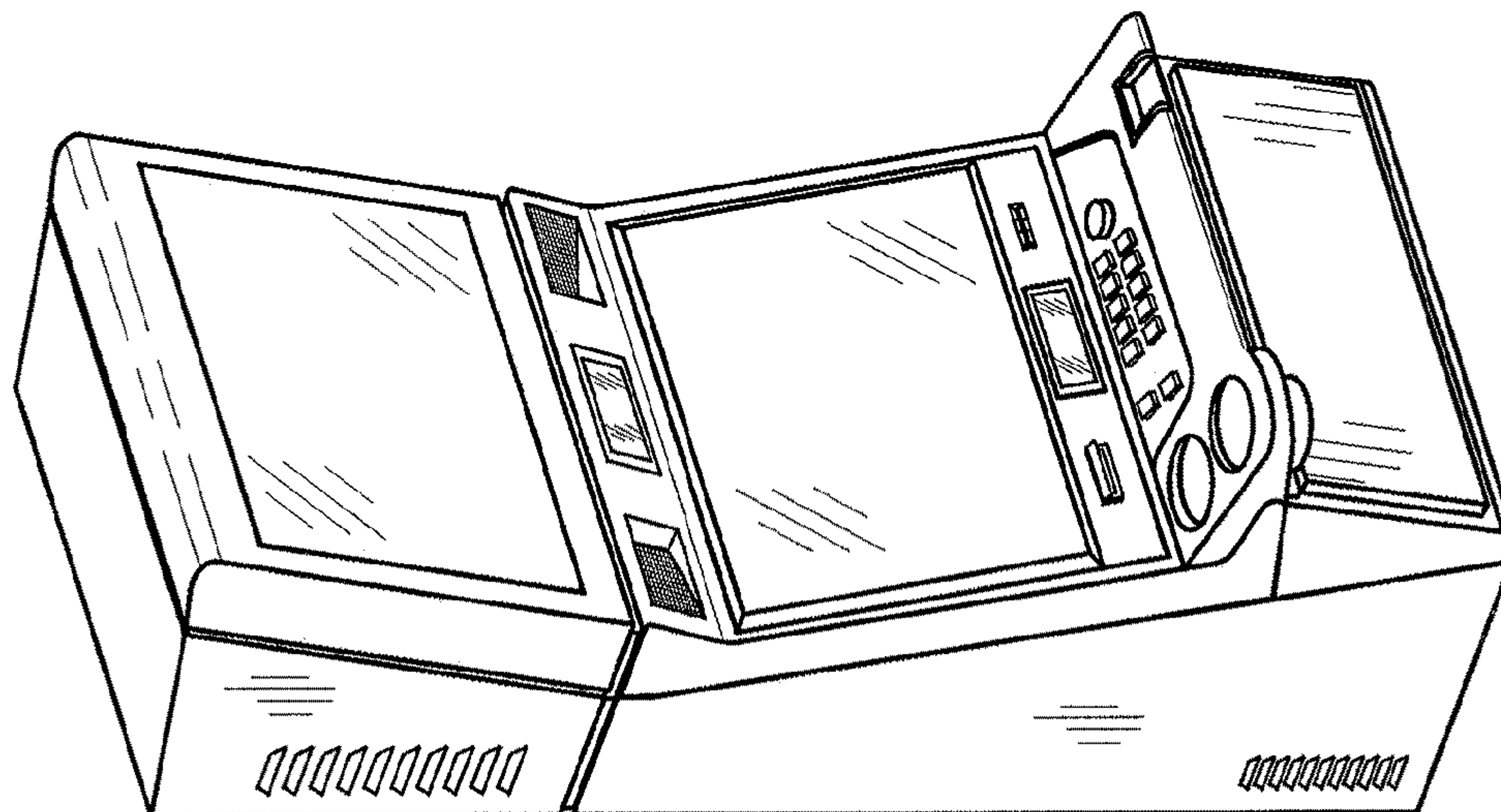


FIG. 1

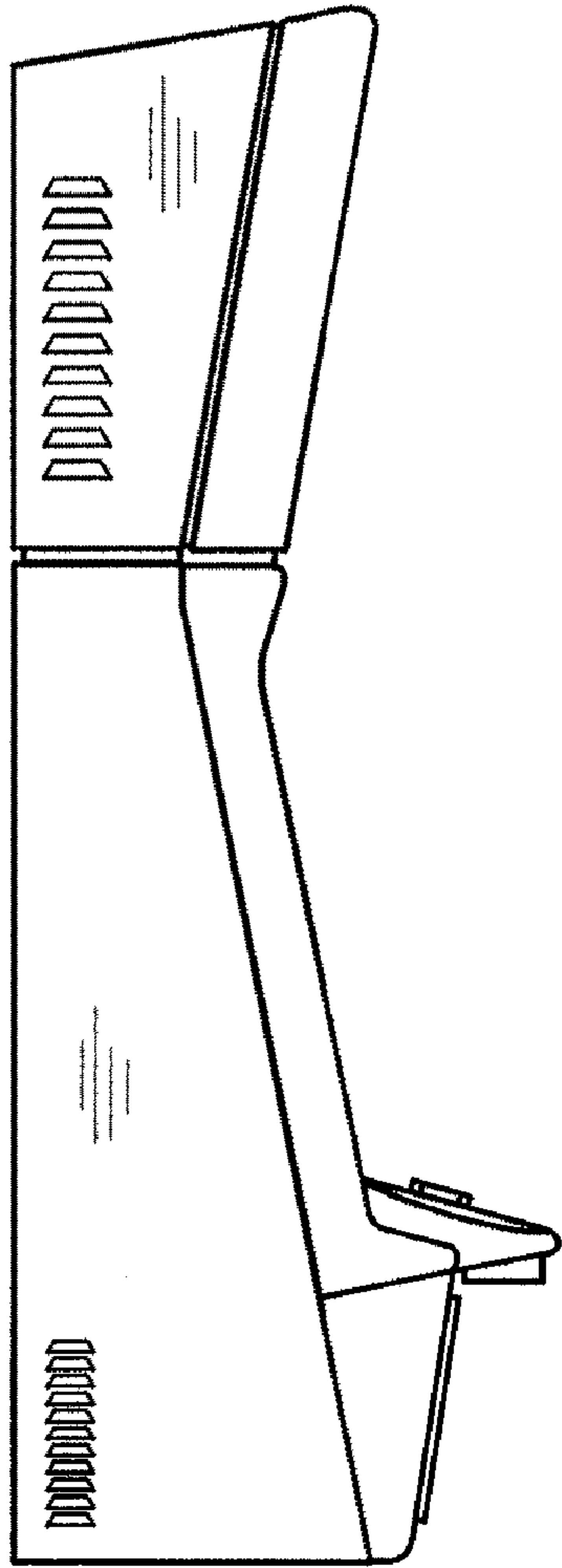


FIG. 3

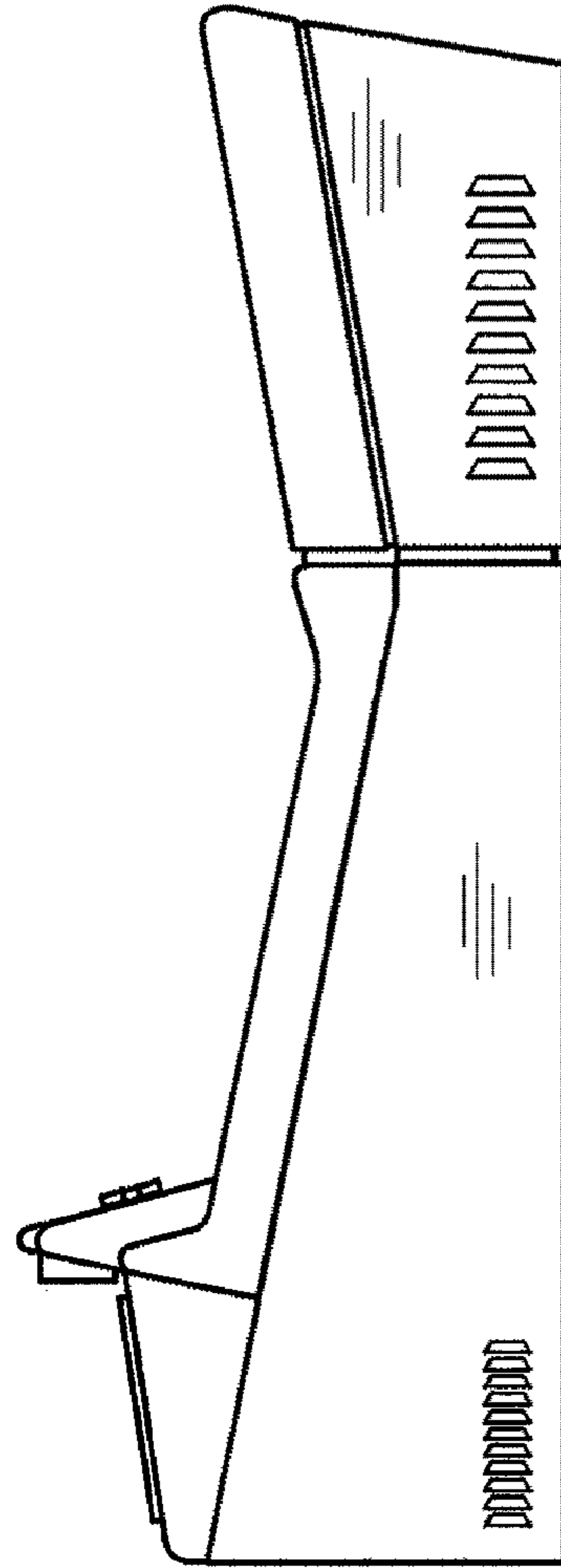


FIG. 4

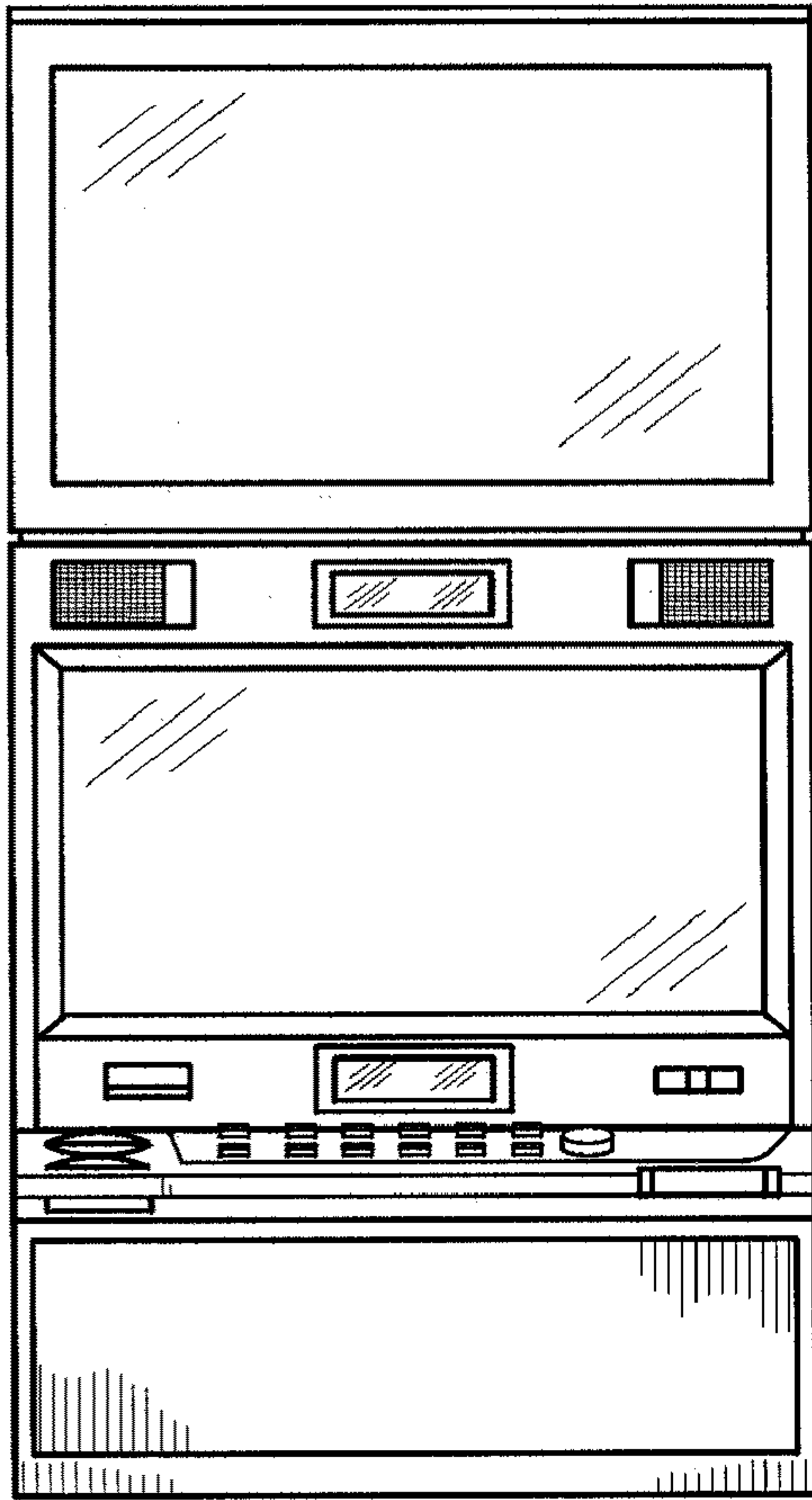


FIG. 5

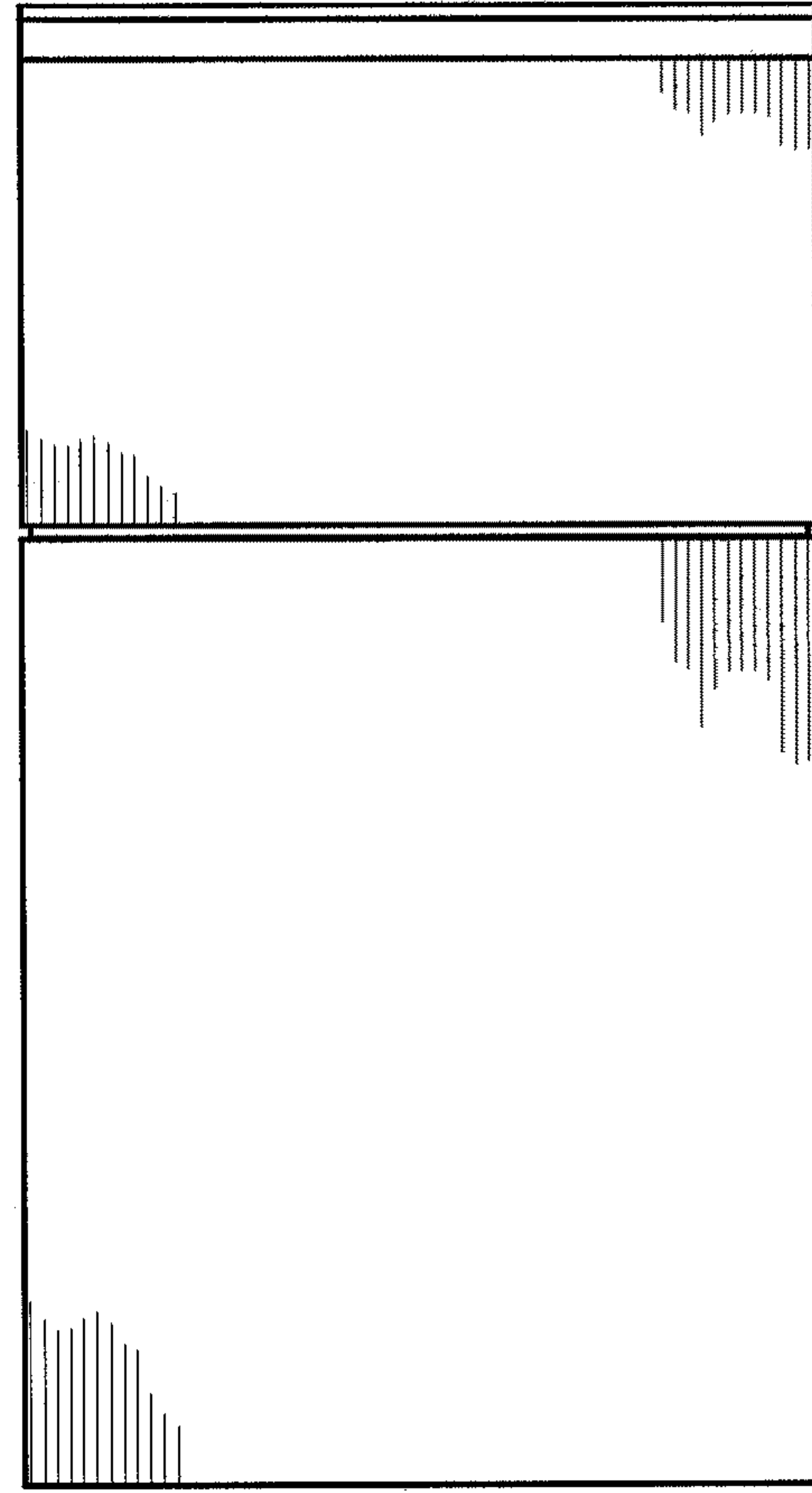


FIG. 6

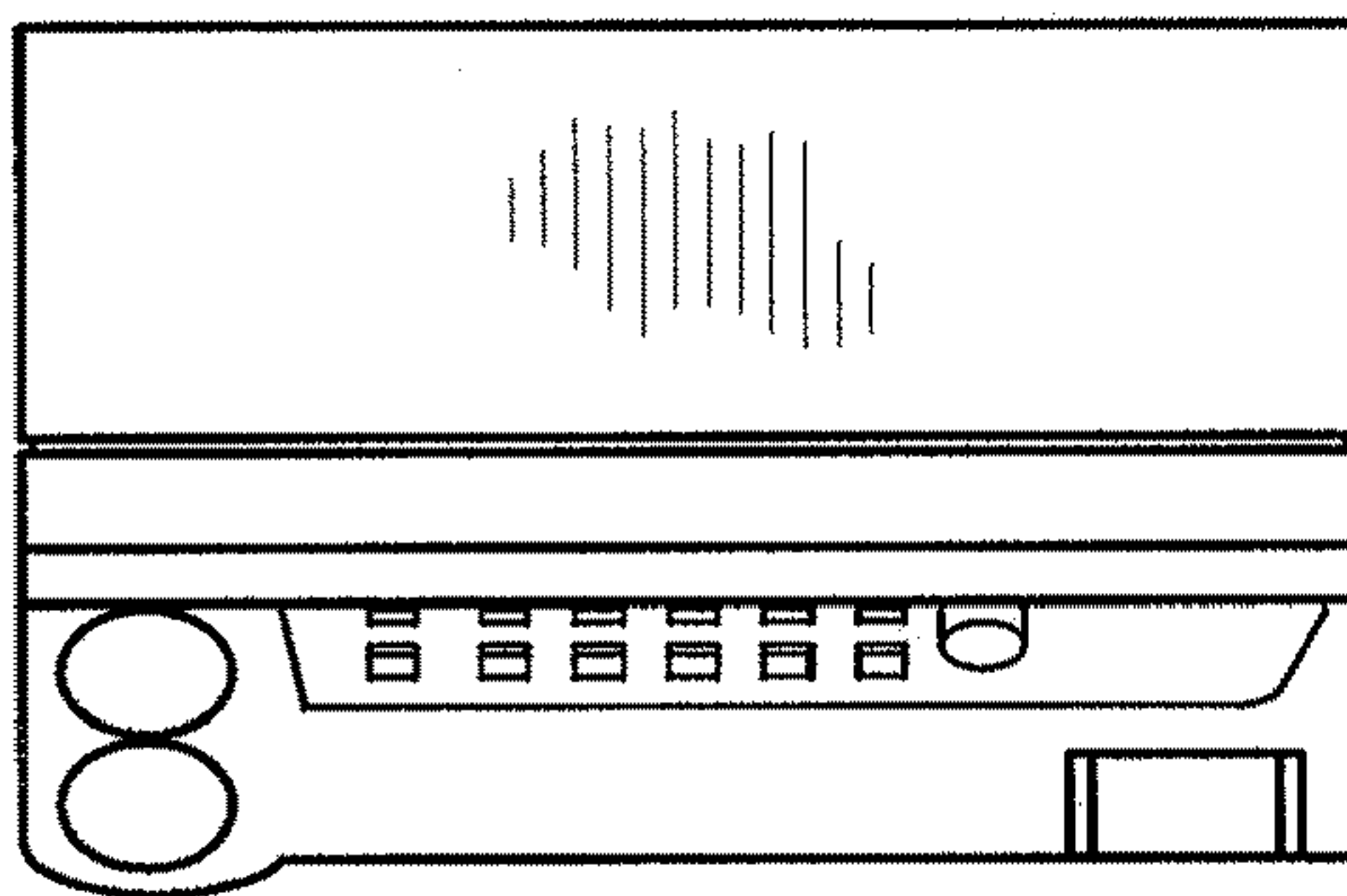


FIG. 7

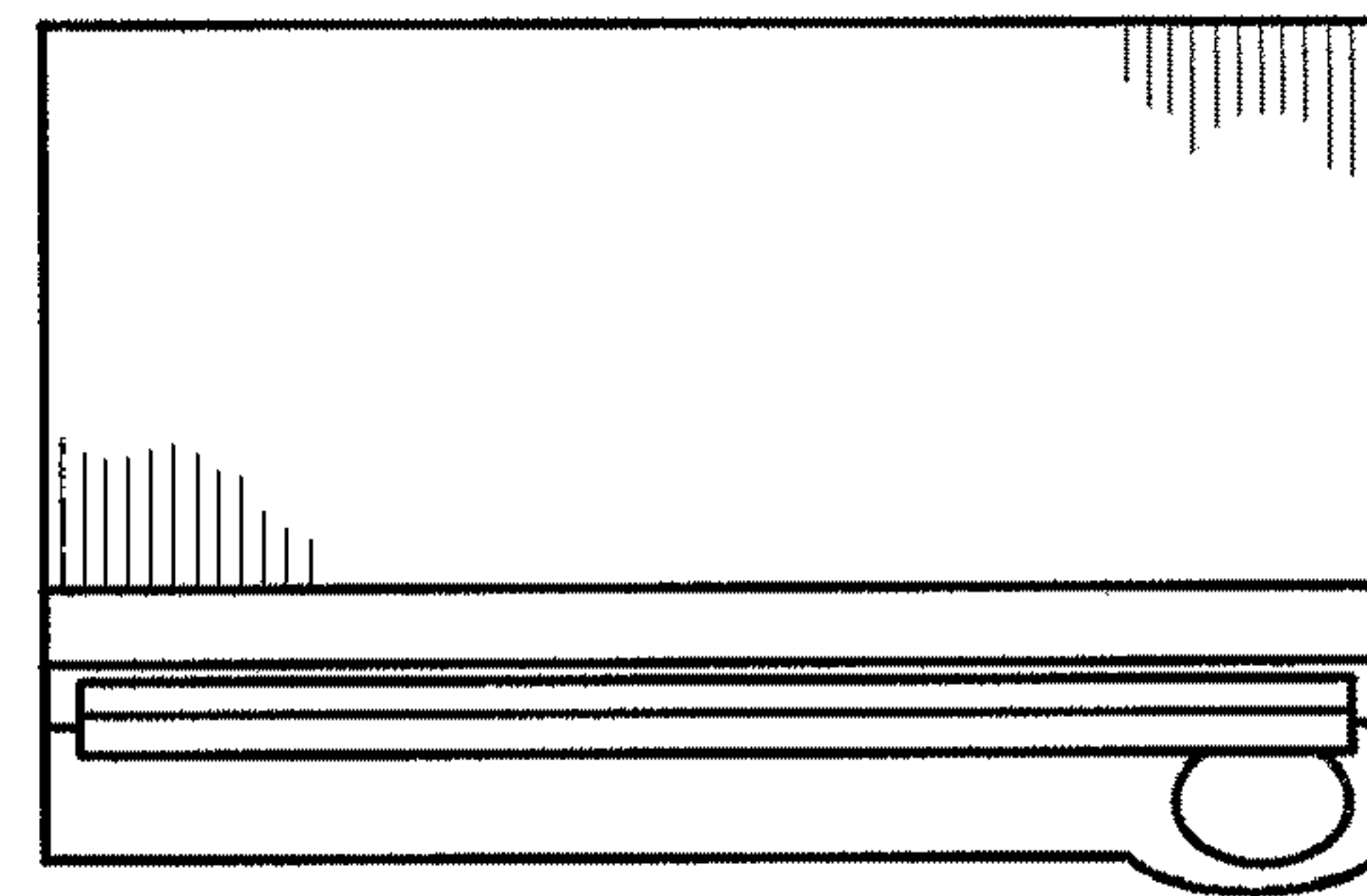


FIG. 8