



US00D554700S

(12) **United States Design Patent**
Sasaki et al.

(10) **Patent No.:** **US D554,700 S**

(45) **Date of Patent:** **** Nov. 6, 2007**

(54) **INK CARTRIDGE**

(75) Inventors: **Toyonori Sasaki**, Anjyo (JP);
Mitsuharu Hattori, Nagoya (JP)

(73) Assignee: **Brother Industries, Ltd.**, Aichi-ken
(JP)

(**) Term: **14 Years**

(21) Appl. No.: **29/218,961**

(22) Filed: **Dec. 10, 2004**

Related U.S. Application Data

(63) Continuation-in-part of application No. 29/174,530,
filed on Jan. 22, 2003, now abandoned.

(51) **LOC (8) Cl.** **18-02**

(52) **U.S. Cl.** **D18/56; 347/86**

(58) **Field of Classification Search** D18/40,
D18/43, 56; 347/33, 49, 50, 85, 86-87; 399/110
See application file for complete search history.

(56) **References Cited**

U.S. PATENT DOCUMENTS

D409,236 S *	5/1999	Fujii et al.	D18/56
D422,306 S *	4/2000	Gasvoda et al.	D18/56
D425,112 S *	5/2000	Shinada et al.	D18/56
D425,285 S *	5/2000	Shinada et al.	D18/56
D448,797 S *	10/2001	Carrese et al.	D18/56
D460,106 S *	7/2002	Yamada et al.	D18/56
D460,480 S *	7/2002	Yamada et al.	D18/56
D462,089 S *	8/2002	Trafton et al.	D18/56
D464,372 S *	10/2002	Yamada et al.	D18/56
D466,151 S *	11/2002	Shinada et al.	D18/56
D466,925 S *	12/2002	Ishizawa et al.	D18/56
D468,768 S *	1/2003	Yamada et al.	D18/56
D475,402 S *	6/2003	Nakayama et al.	D18/56

D477,020 S *	7/2003	Seino	D18/56
D489,756 S *	5/2004	Matsumoto et al.	D18/56
D489,757 S *	5/2004	Matsumoto	D18/56
D516,122 S *	2/2006	Sasaki et al.	D18/56
D521,063 S *	5/2006	Sasaki et al.	D18/56

* cited by examiner

Primary Examiner—Cathy Anne MacCormac

(74) *Attorney, Agent, or Firm*—McKenna Long & Aldridge
LLP

(57) **CLAIM**

We claim the ornamental design for an ink cartridge, as
illustrated and described.

DESCRIPTION

FIG. 1 is a front elevation view of our new design;

FIG. 2 is a top plan view thereof;

FIG. 3 is a right side view thereof;

FIG. 4 is a left side view thereof;

FIG. 5 is a rear elevation view thereof;

FIG. 6 is a bottom plan view thereof;

FIG. 7 is a bottom perspective view thereof;

FIG. 8 is a top perspective view thereof;

FIG. 9 is a perspective view when the top cover is removed;

FIG. 10 is a top plan view of FIG. 9;

FIG. 11 is another top plan view of FIG. 9 without the press
board and film;

FIG. 12 is a perspective view of FIG. 11 without the press
board, film, and sensor part when the cover is removed; and,

FIG. 13 is a top plan view of FIG. 12.

1 Claim, 5 Drawing Sheets

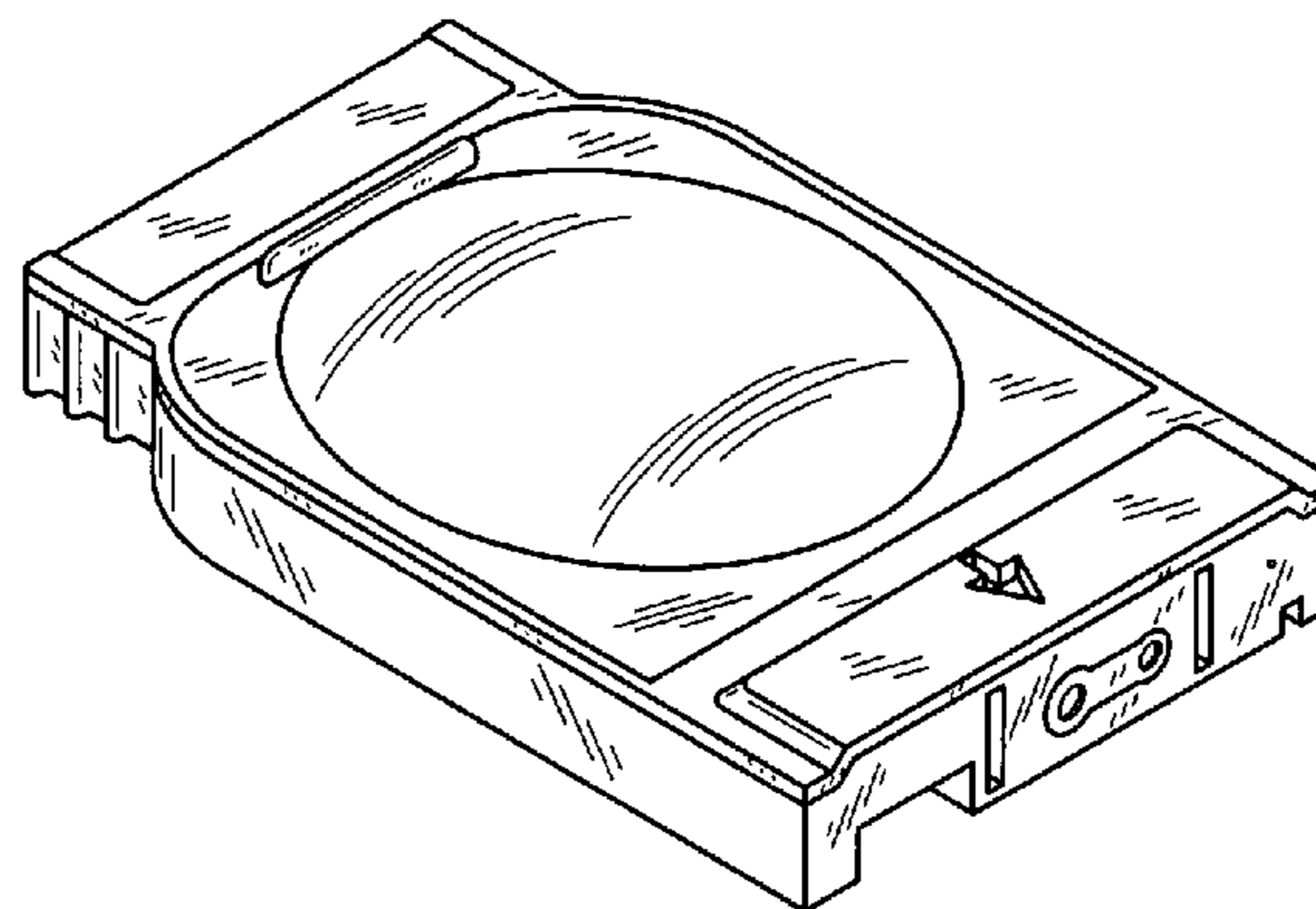
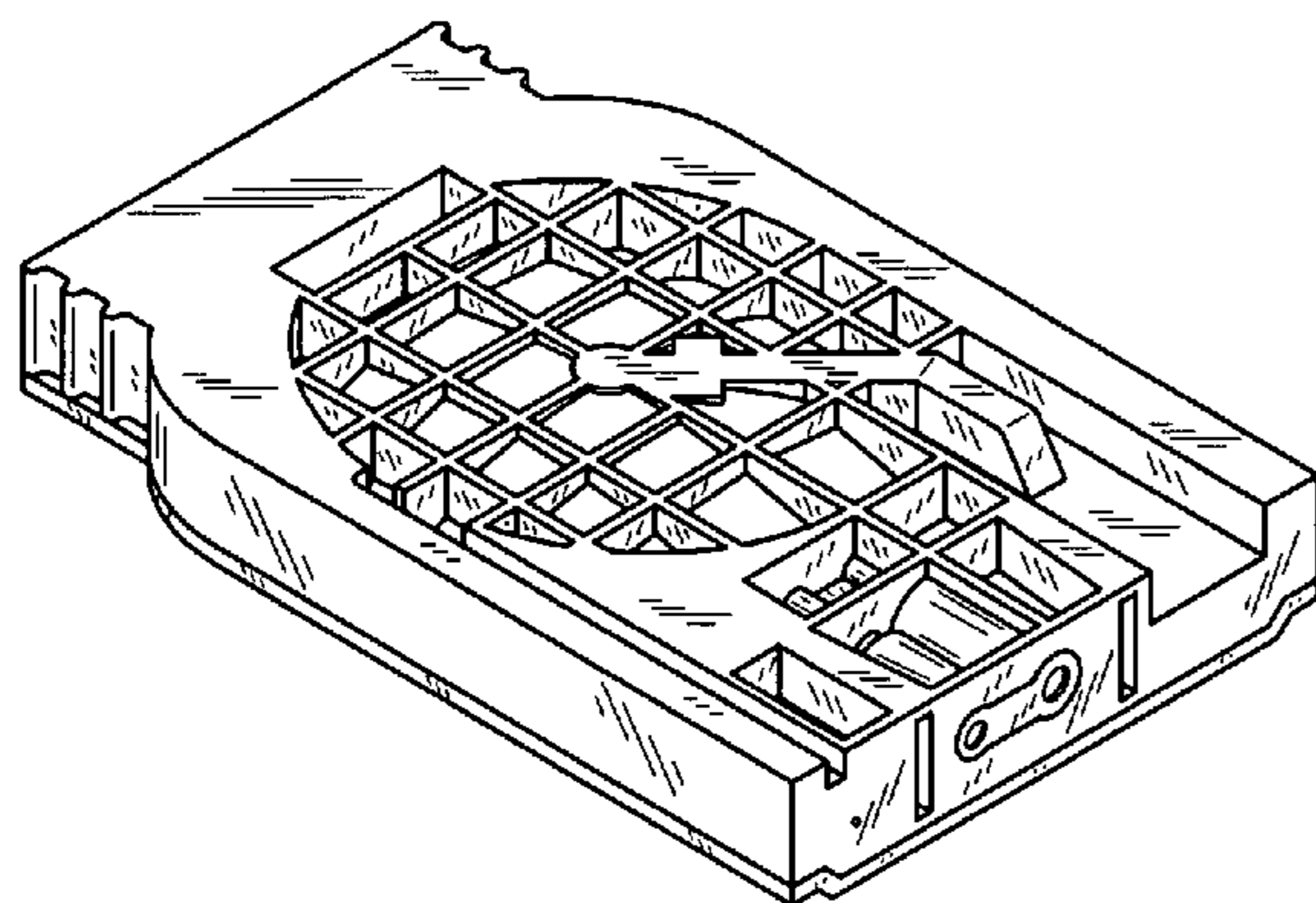


FIG. 1

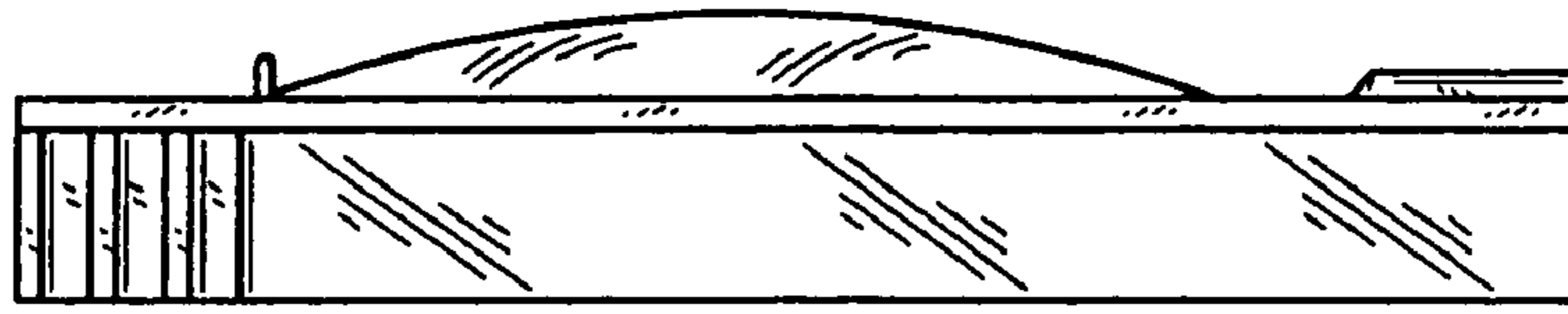


FIG. 2

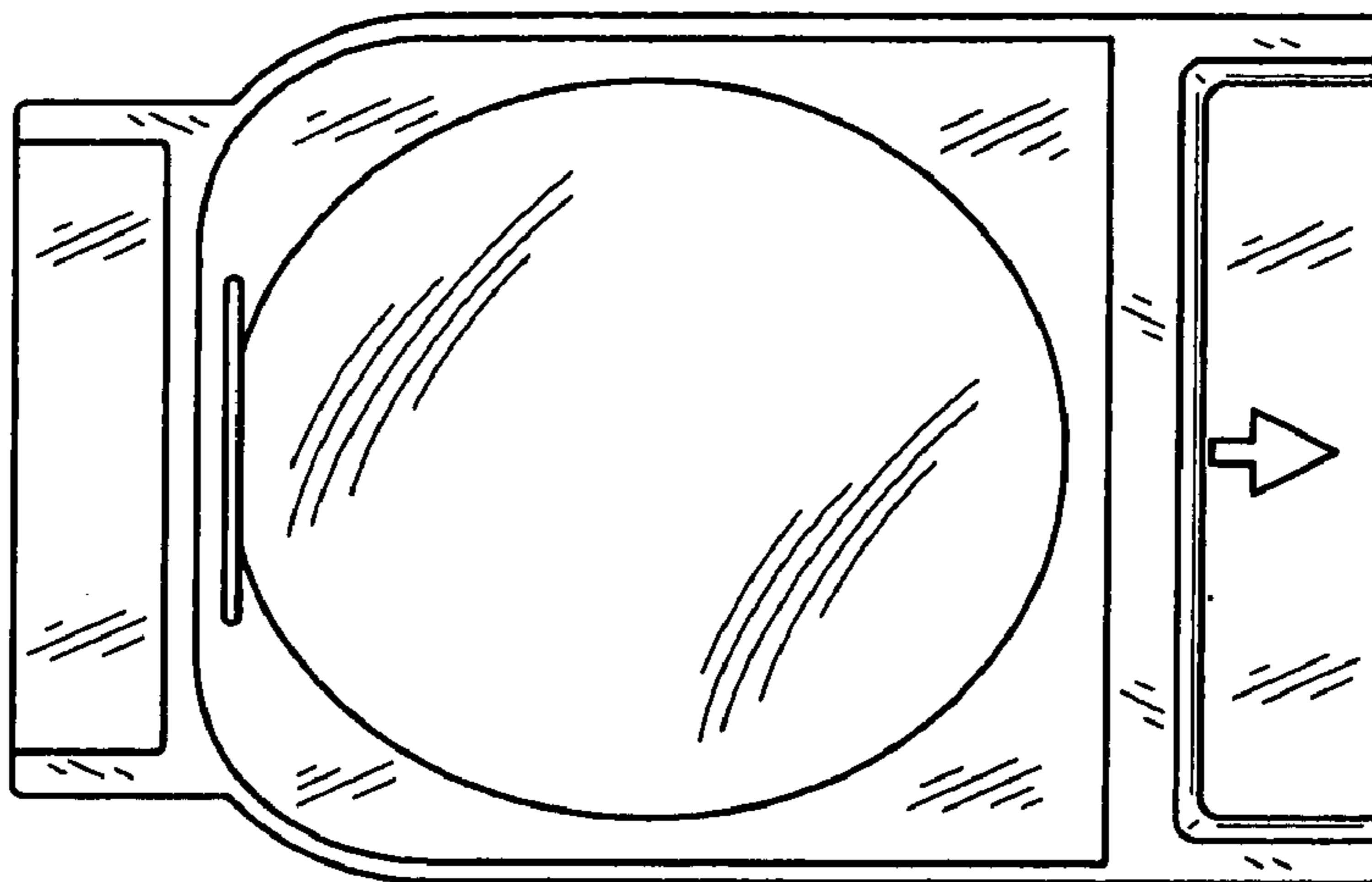


FIG. 3

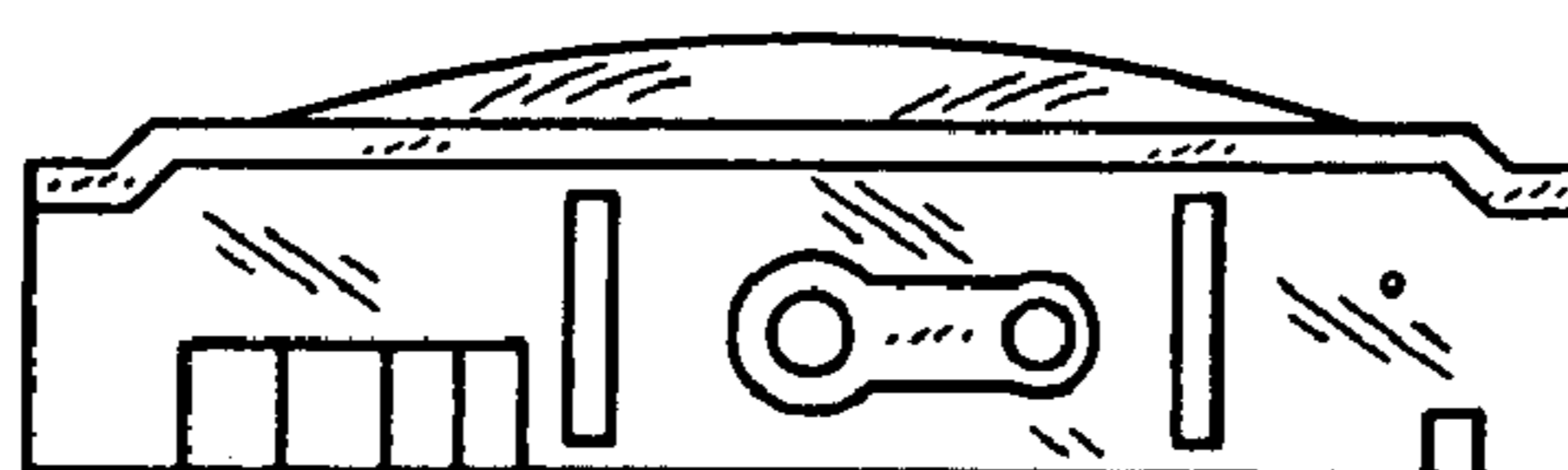


FIG. 4



FIG. 5

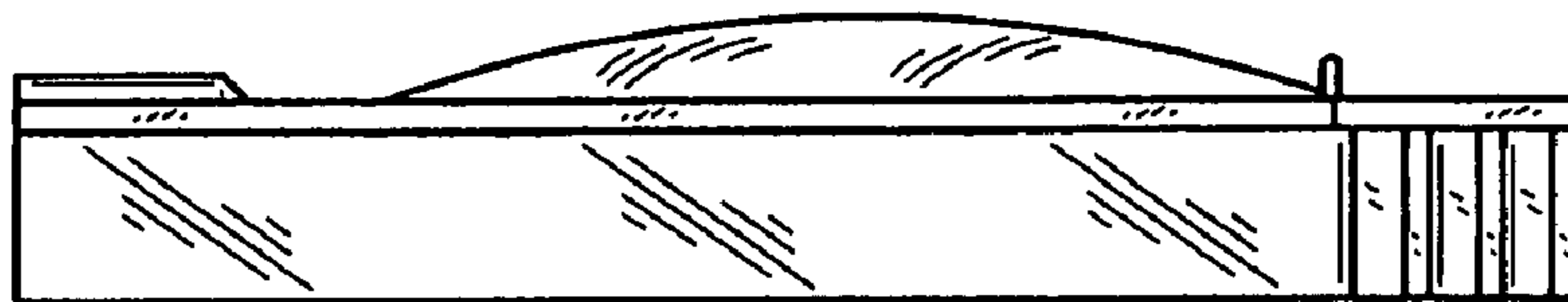


FIG. 6

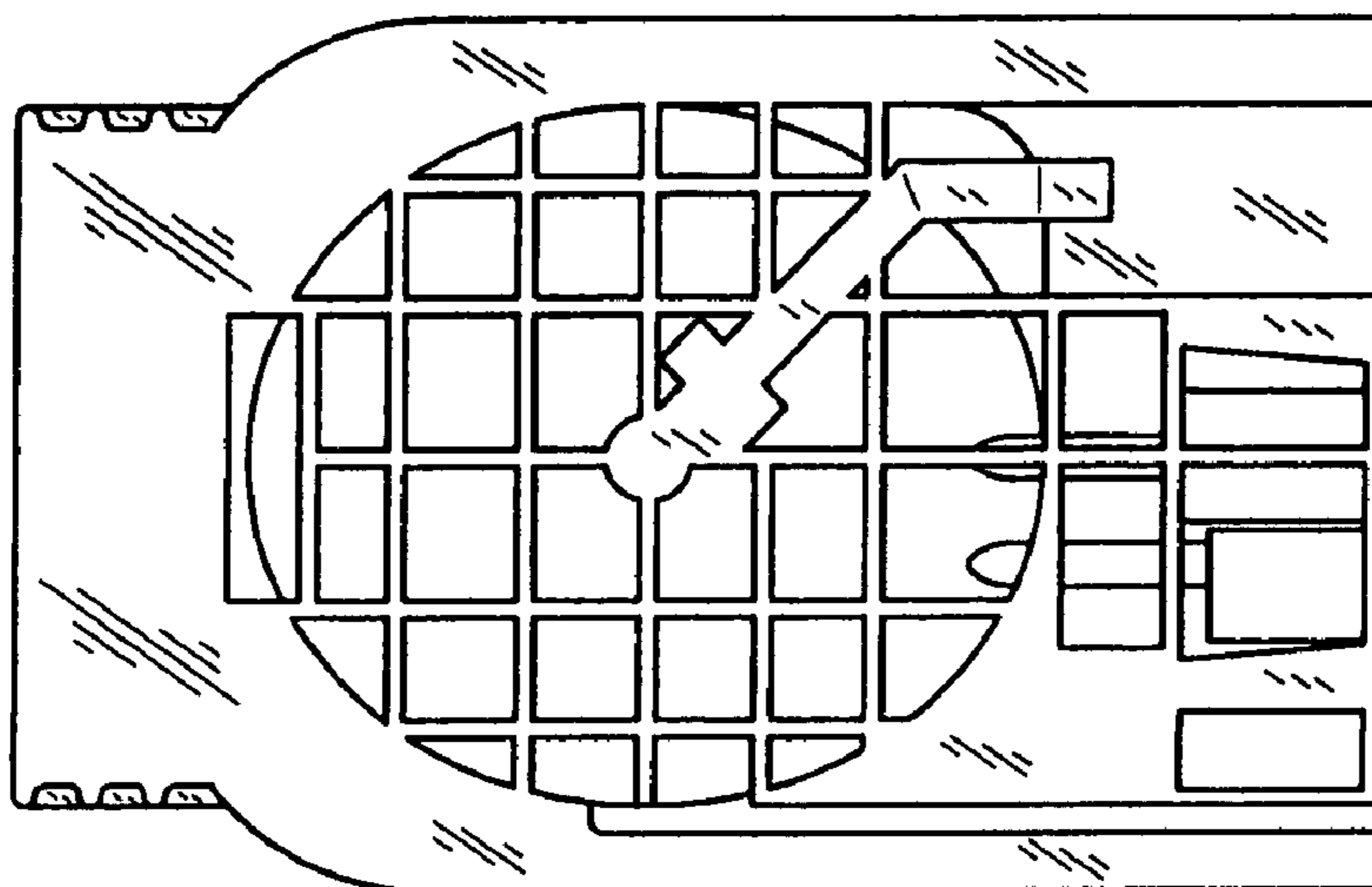


FIG. 7

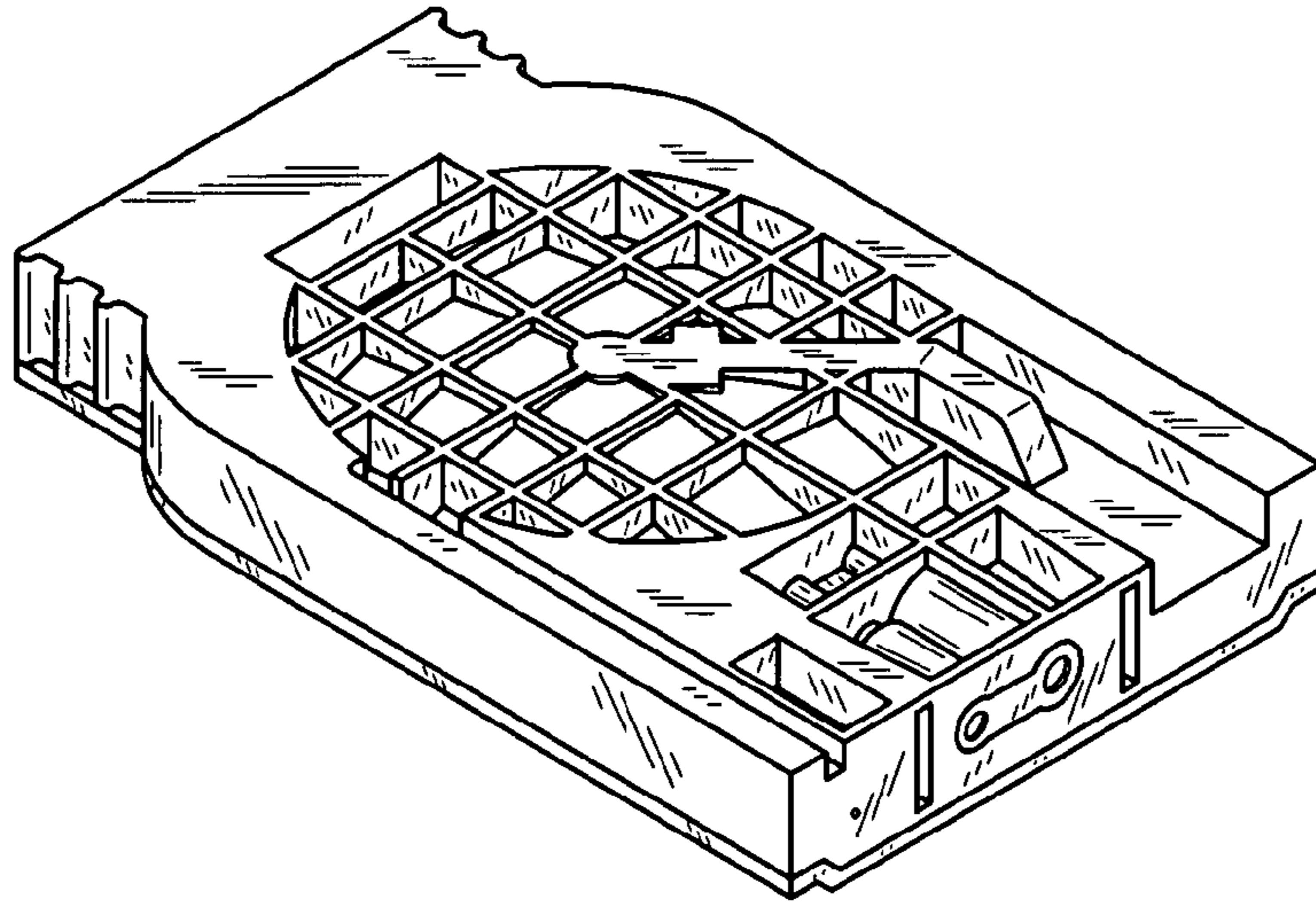


FIG. 8

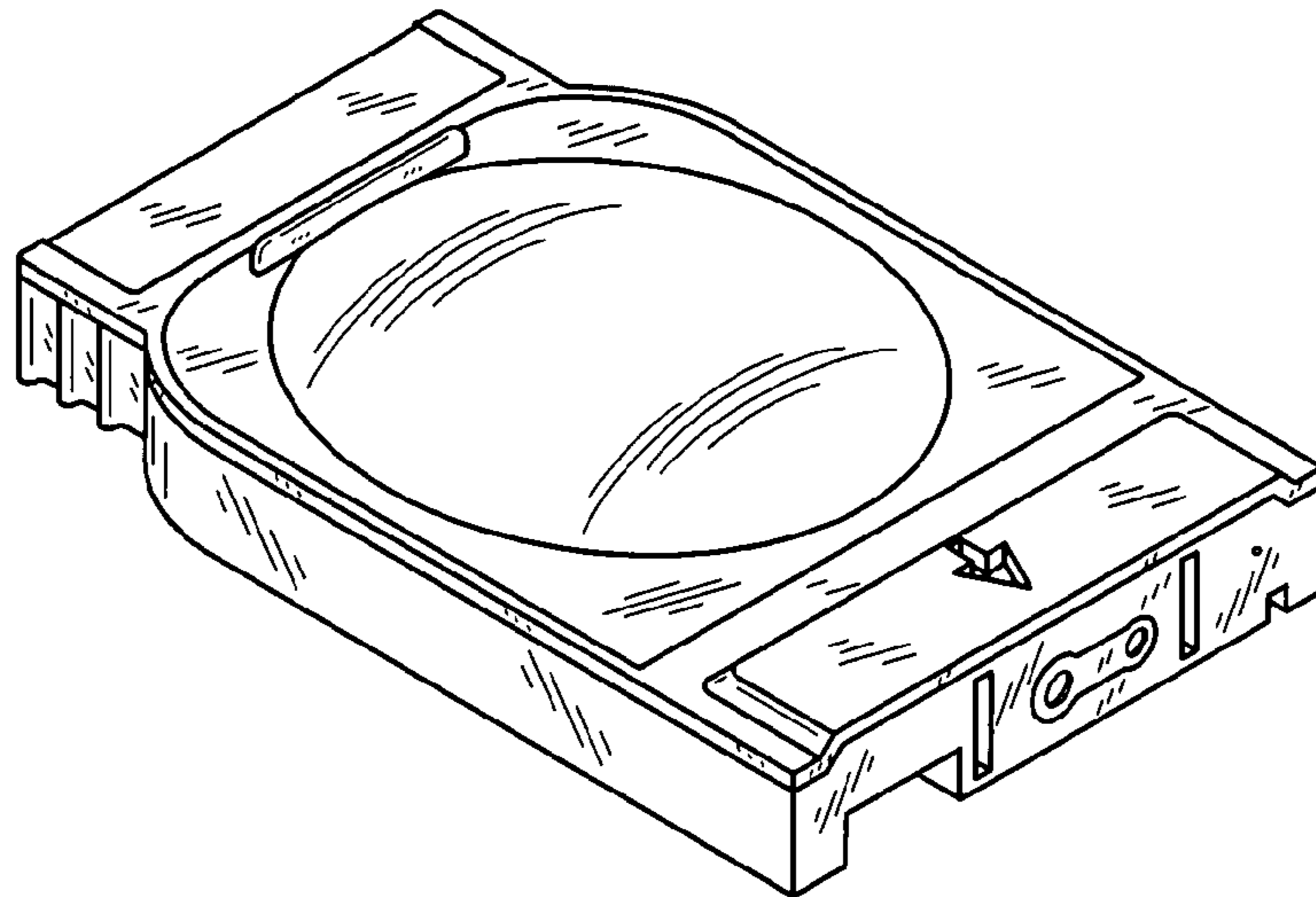


FIG. 9

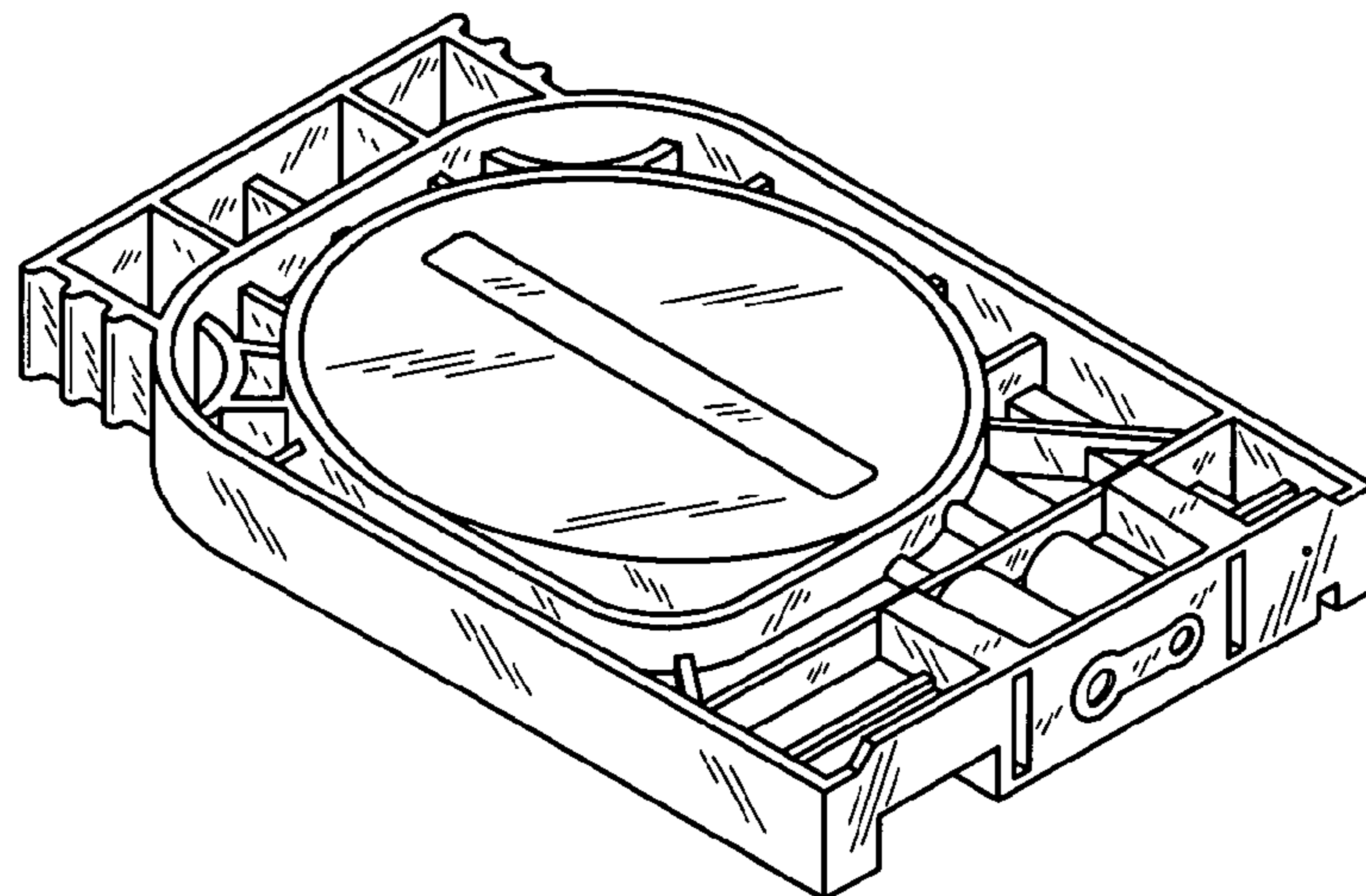


FIG. 10

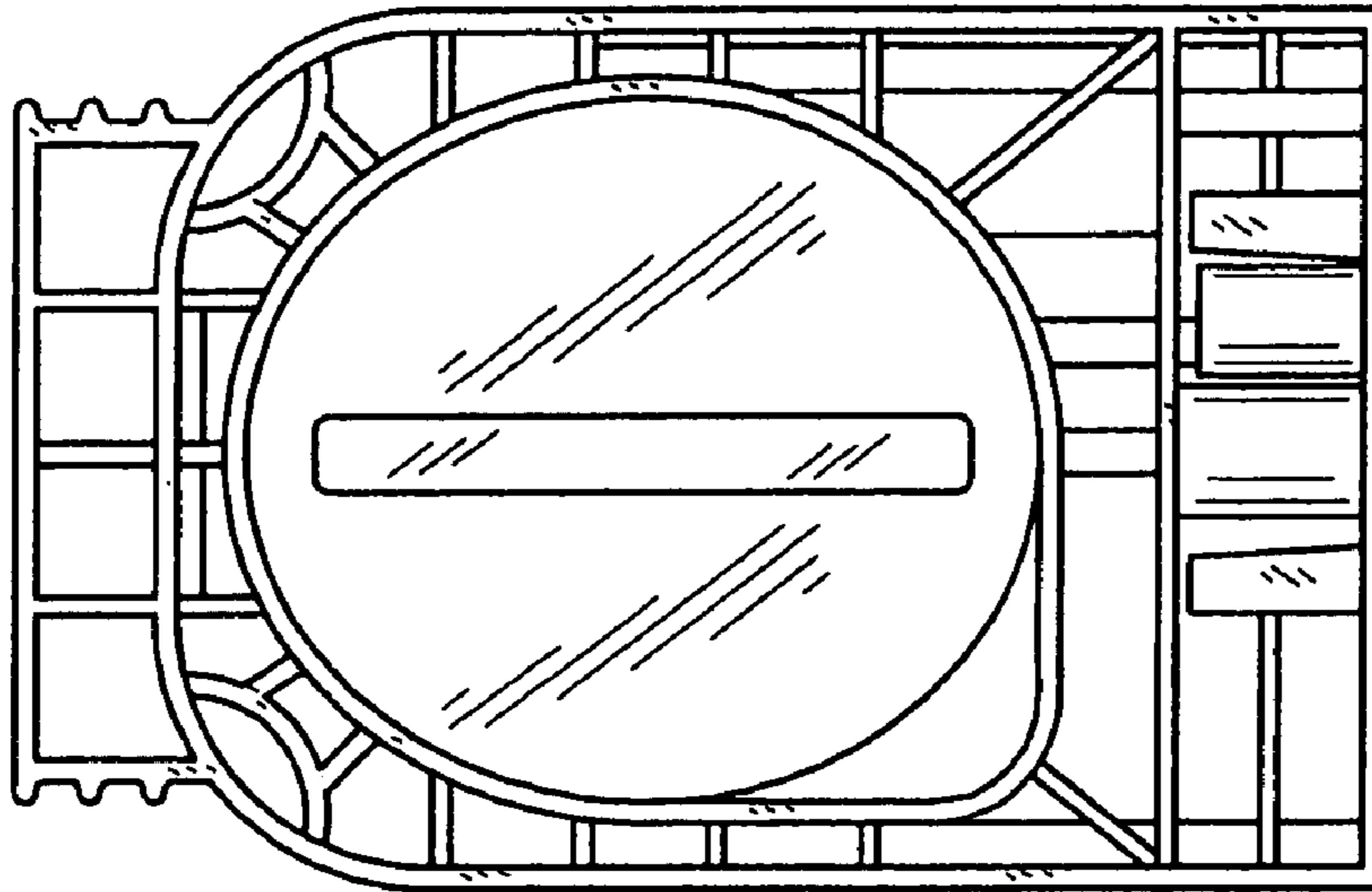


FIG. 11

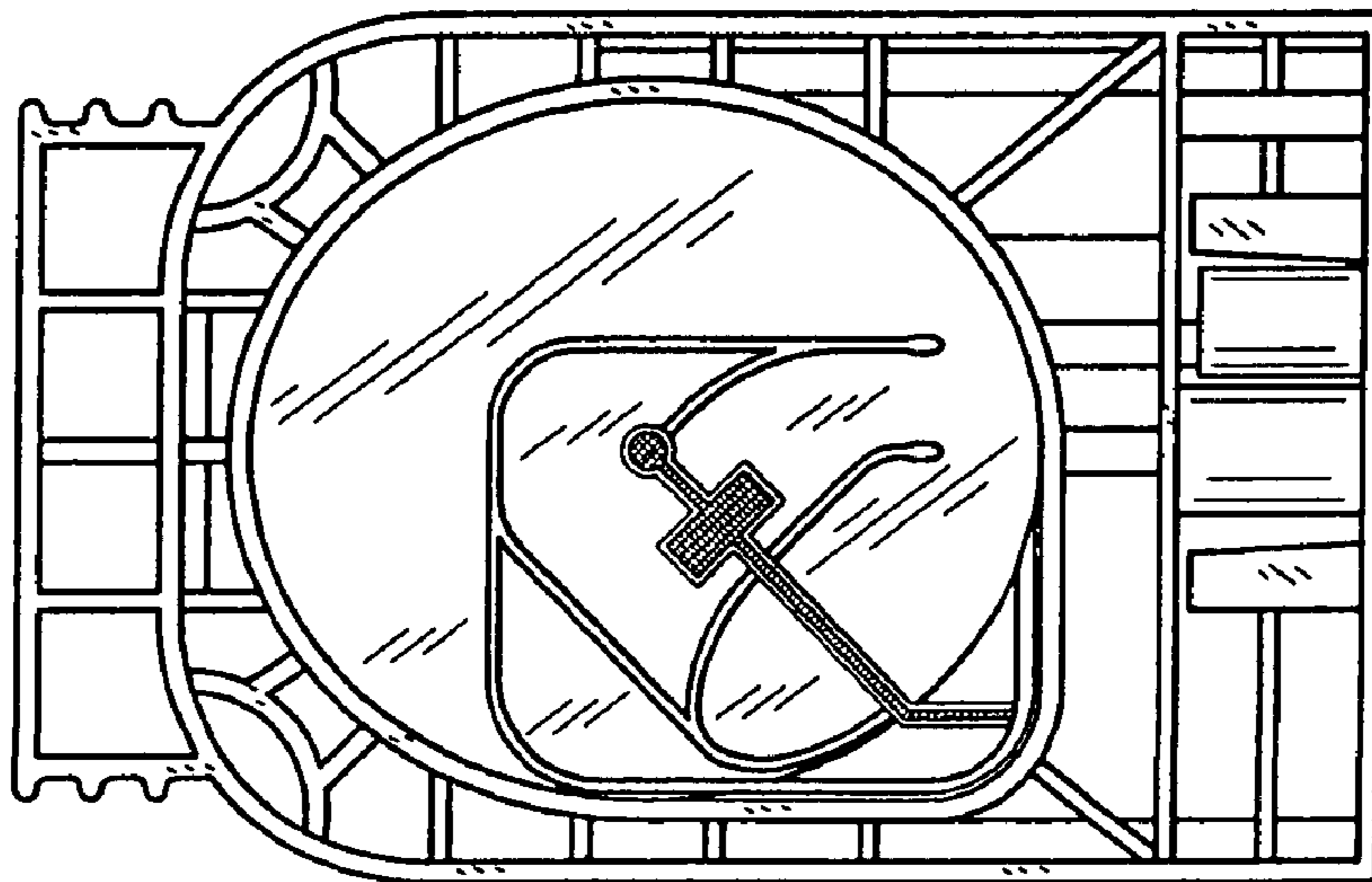


FIG. 12

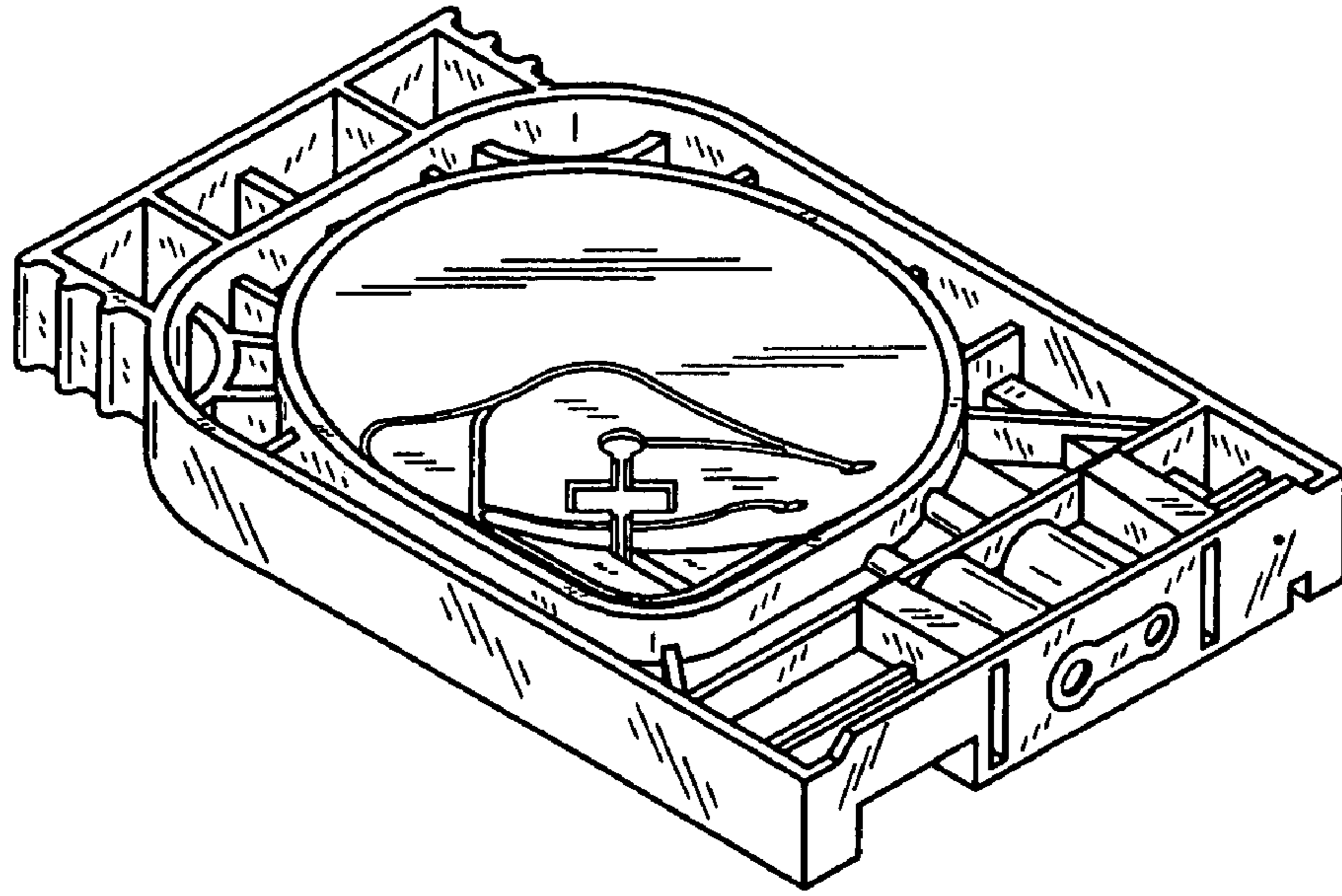
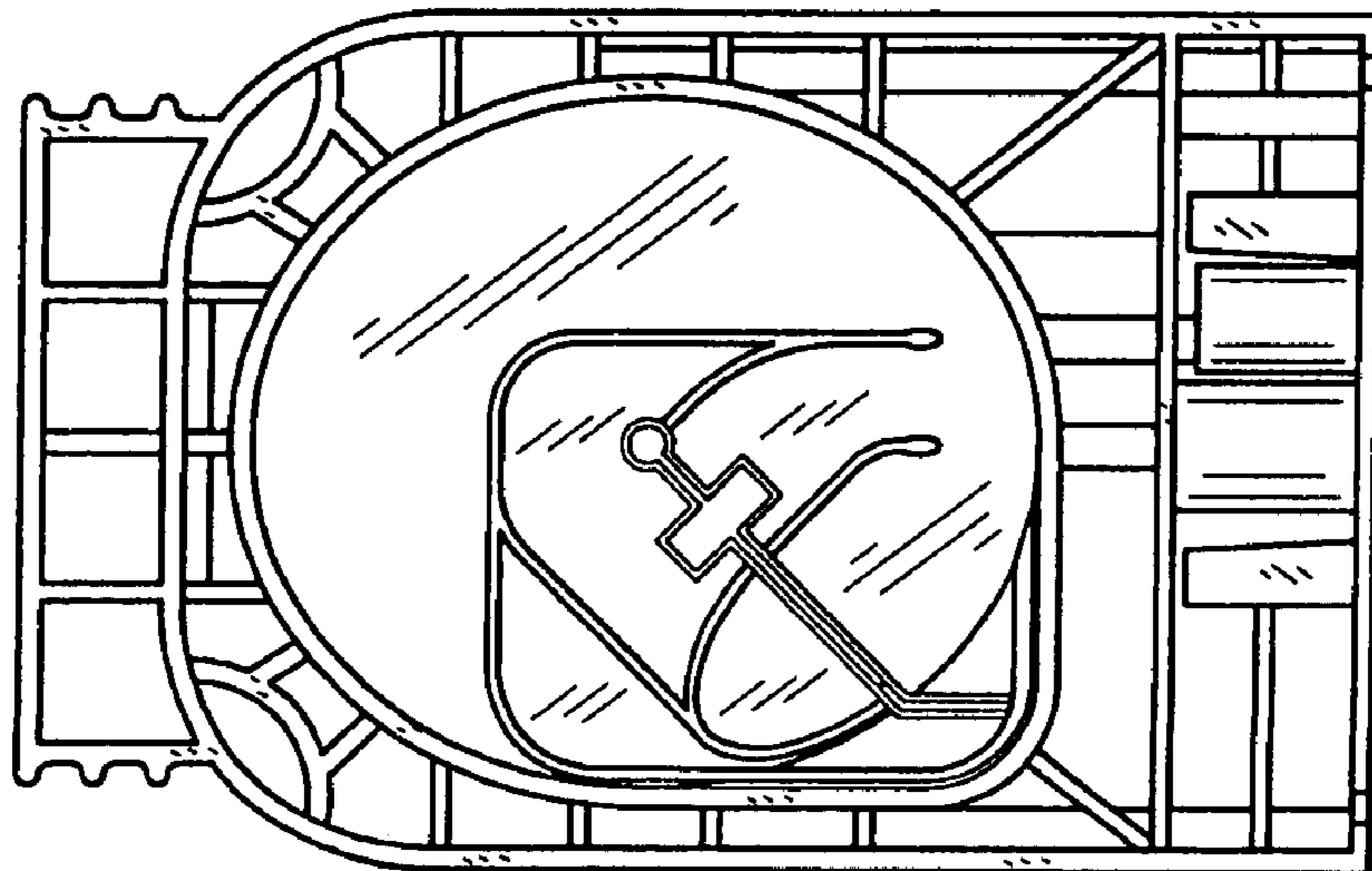


FIG. 13



UNITED STATES PATENT AND TRADEMARK OFFICE
CERTIFICATE OF CORRECTION

PATENT NO. : Des. 554,700 S
APPLICATION NO. : 29/218961
DATED : November 6, 2007
INVENTOR(S) : Toyonori Sasaki et al.

Page 1 of 1

It is certified that error appears in the above-identified patent and that said Letters Patent is hereby corrected as shown below:

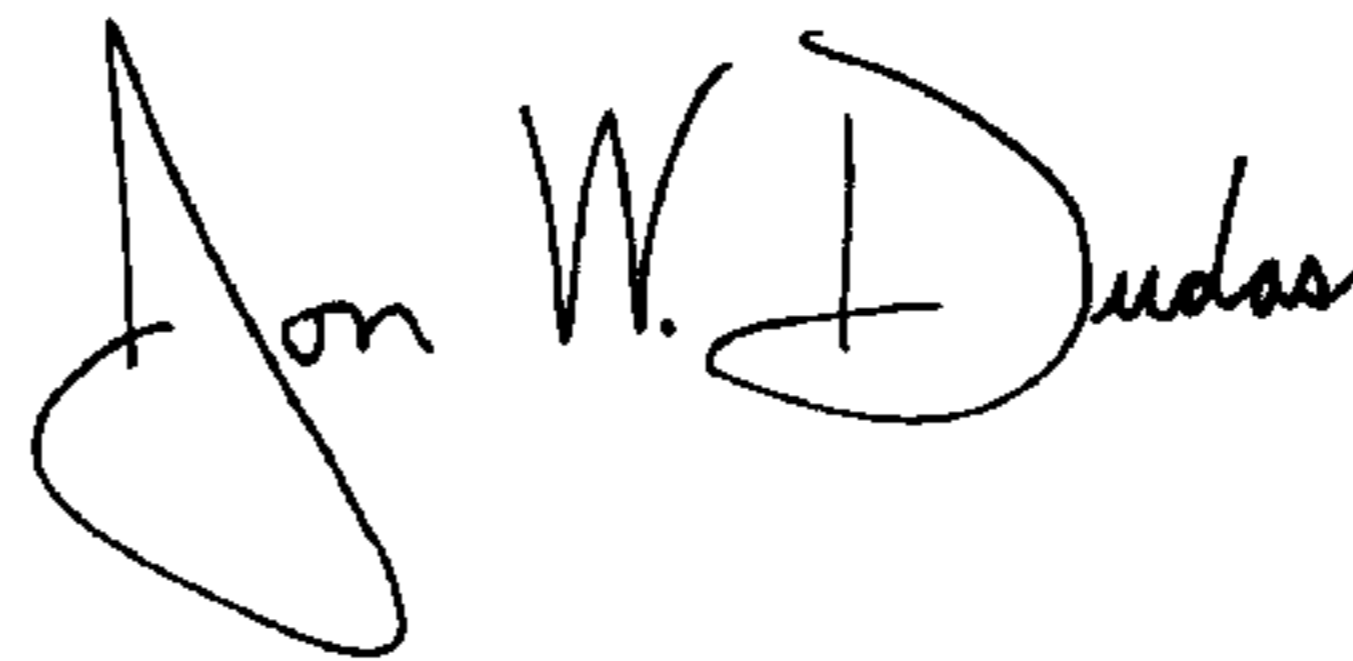
On the title page, please add the Foreign Priority Information as item 30, as follows:

“[30] Foreign Application Priority Data

July 23, 2002 (JP)2002-019750”

Signed and Sealed this

Third Day of June, 2008



JON W. DUDAS
Director of the United States Patent and Trademark Office

UNITED STATES PATENT AND TRADEMARK OFFICE
CERTIFICATE OF CORRECTION

PATENT NO. : Des. 554,700 S
APPLICATION NO. : 29/218961
DATED : November 6, 2007
INVENTOR(S) : Toyonori Sasaki et al.

Page 1 of 1

It is certified that error appears in the above-identified patent and that said Letters Patent is hereby corrected as shown below:

On the Title page of the Patent, after item (73), please insert the following terminal disclaimer statement:

[*] --Notice: This patent is subject to a terminal disclaimer.--

Signed and Sealed this

Fifteenth Day of July, 2008

A handwritten signature in black ink that reads "Jon W. Dudas". The signature is written in a cursive style with a large, looped initial "J".

JON W. DUDAS

Director of the United States Patent and Trademark Office