



US00D554699S

(12) **United States Design Patent**  
**Tate et al.**

(10) **Patent No.:** **US D554,699 S**

(45) **Date of Patent:** **\*\* Nov. 6, 2007**

(54) **PRINTER**

(75) Inventors: **Maria Del Carmen Tate**, San Diego, CA (US); **Christopher L. Whittall**, San Diego, CA (US); **Angela Martin**, Lake Oswego, OR (US); **Benjamin T. Richardson**, Vancouver, WA (US)

(73) Assignee: **Hewlett-Packard Development Company, L.P.**, Houston, TX (US)

(\*\*) Term: **14 Years**

(21) Appl. No.: **29/257,840**

(22) Filed: **Apr. 11, 2006**

(51) **LOC (8) Cl.** ..... **14-02**

(52) **U.S. Cl.** ..... **D18/55**

(58) **Field of Classification Search** ..... D18/4.5,  
D18/14, 19, 36-39, 50, 53, 54-54.1, 55;  
D14/420-425, 462-470; 400/613, 613.1-613.4,  
400/690.1-690.4, 691-694

See application file for complete search history.

(56) **References Cited**

**U.S. PATENT DOCUMENTS**

D354,981 S *	1/1995	Kobayashi et al.	.....	D18/54
D369,181 S *	4/1996	Kobayashi	.....	D18/55
D379,197 S *	5/1997	Kawahara et al.	.....	D18/55
D474,500 S *	5/2003	Ichiyoshi	.....	D18/55

D483,060 S	12/2003	Wong et al.	
D483,804 S	12/2003	Cercos et al.	
D484,185 S	12/2003	Cercos et al.	
D489,755 S *	5/2004	Wong et al.	..... D18/55
D490,462 S	5/2004	Chua et al.	
D497,940 S	11/2004	Hwang et al.	
D508,713 S	8/2005	Fetherolf et al.	
D514,161 S	1/2006	Wong et al.	
D516,623 S *	3/2006	Lee et al.	..... D18/55
D530,738 S *	10/2006	Tay et al.	..... D18/55
D537,477 S *	2/2007	Lim et al.	..... D18/55
D538,334 S *	3/2007	Lee et al.	..... D18/55

\* cited by examiner

*Primary Examiner*—Cathy Anne MacCormac

(57) **CLAIM**

The ornamental design for a printer, substantially as shown.

**DESCRIPTION**

FIG. 1 is a left-front perspective view of a printer showing the design;

FIG. 2 is a front view thereof;

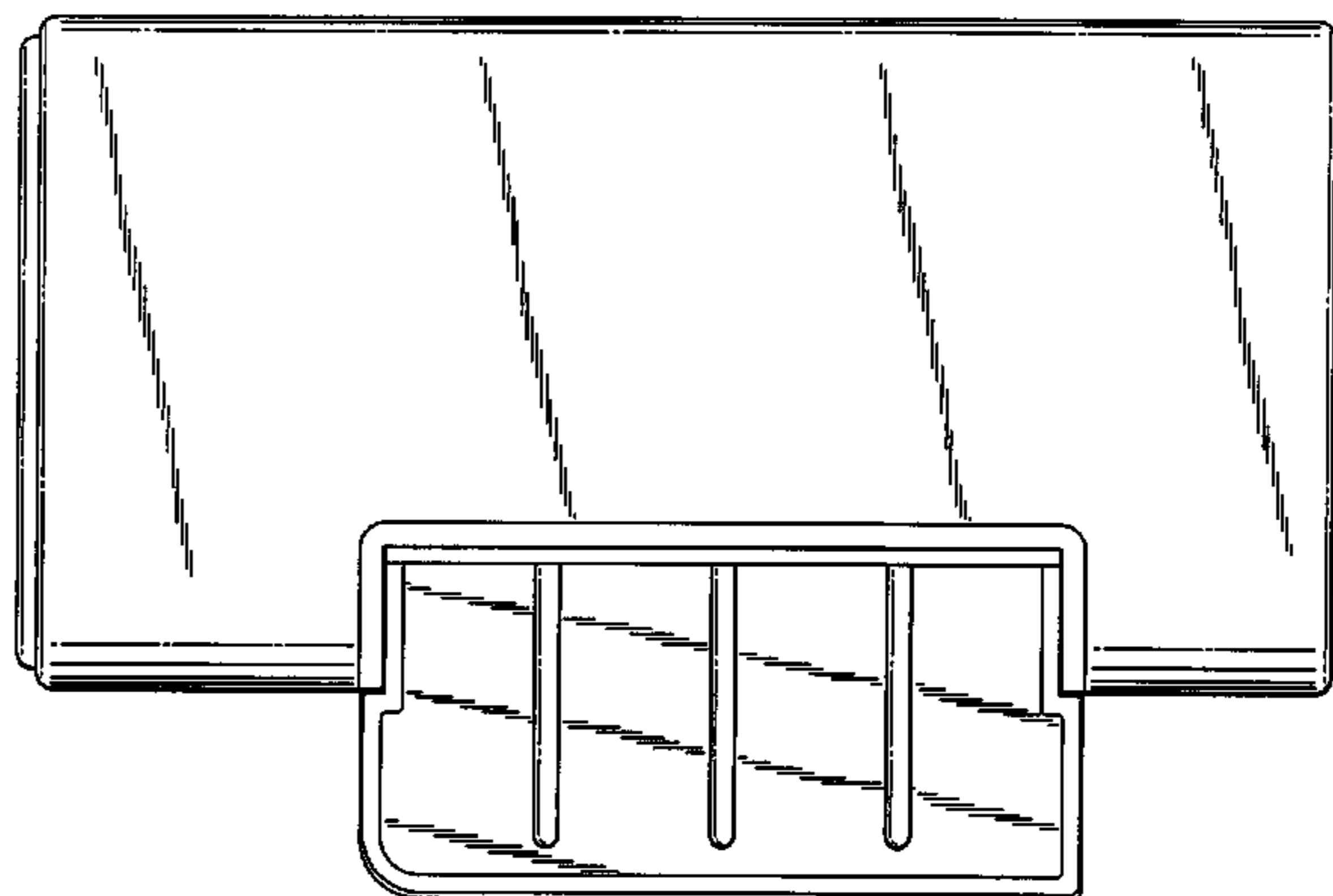
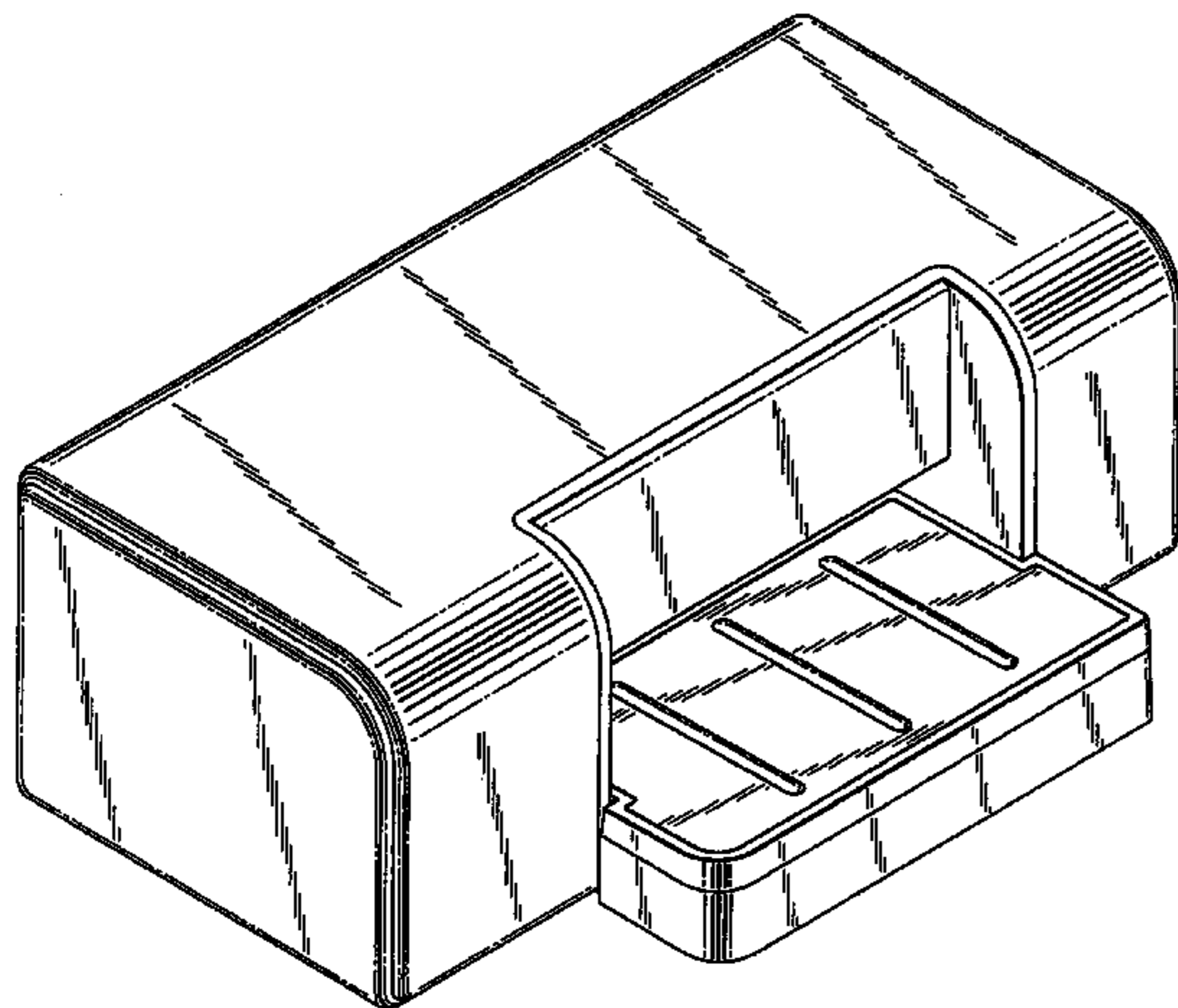
FIG. 3 is a rear view thereof;

FIG. 4 is a left side view thereof;

FIG. 5 is a right side view thereof; and,

FIG. 6 is a top view thereof.

**1 Claim, 5 Drawing Sheets**



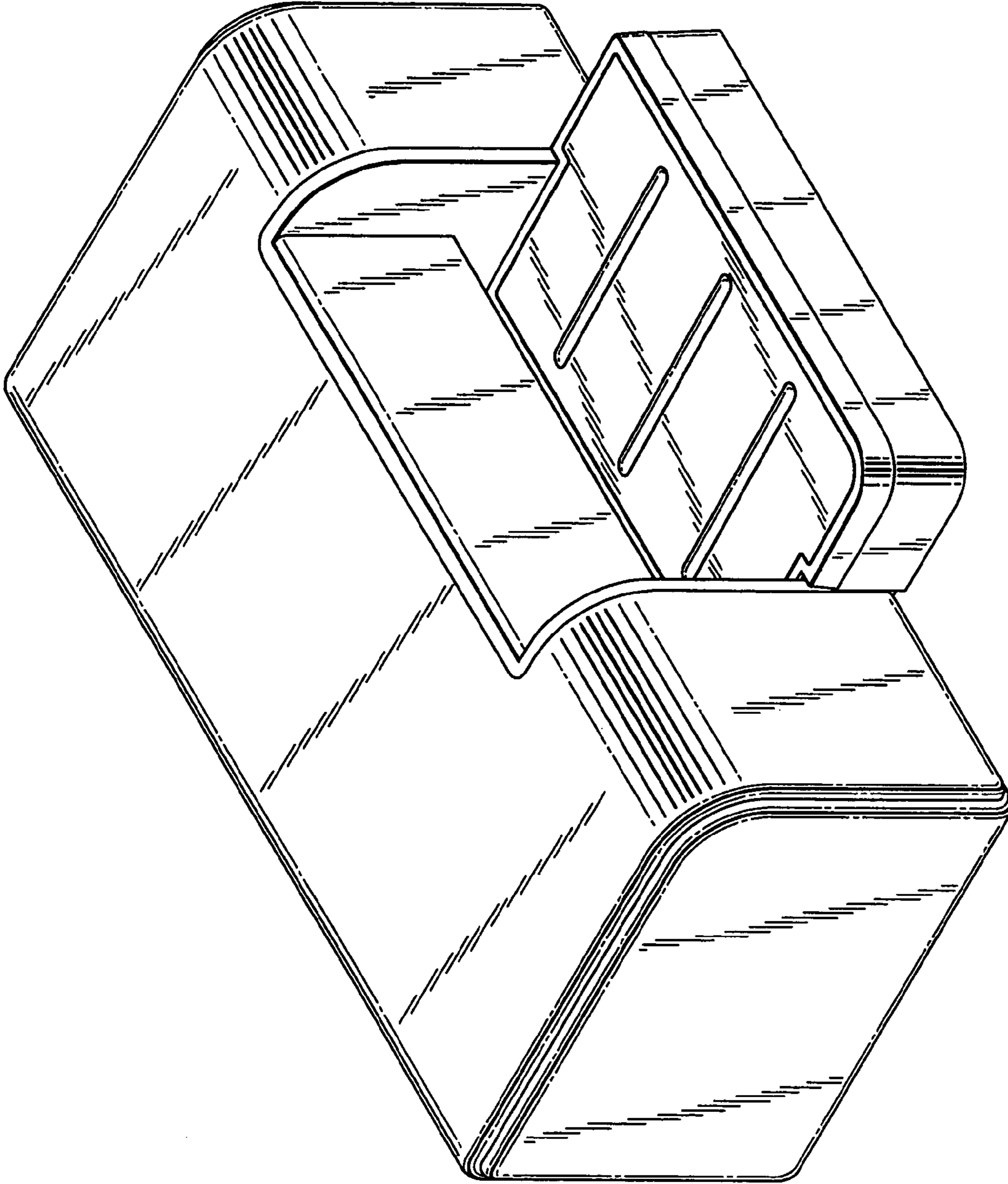


Fig. 1

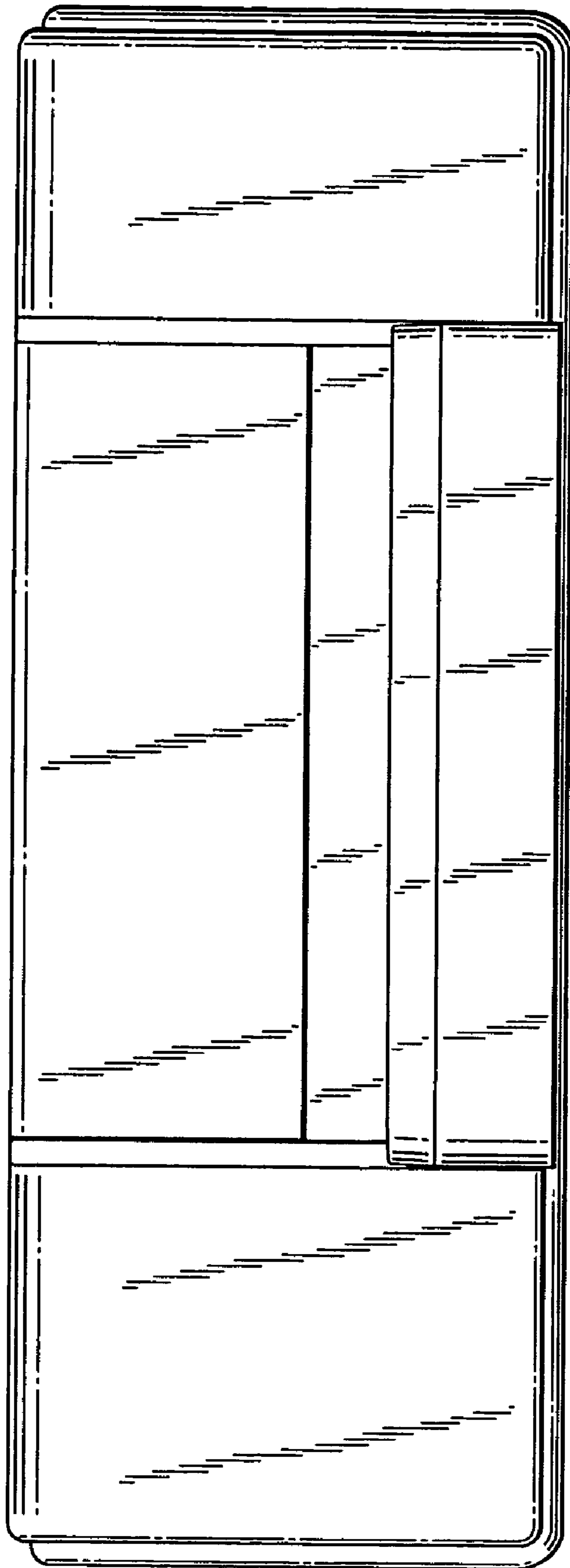
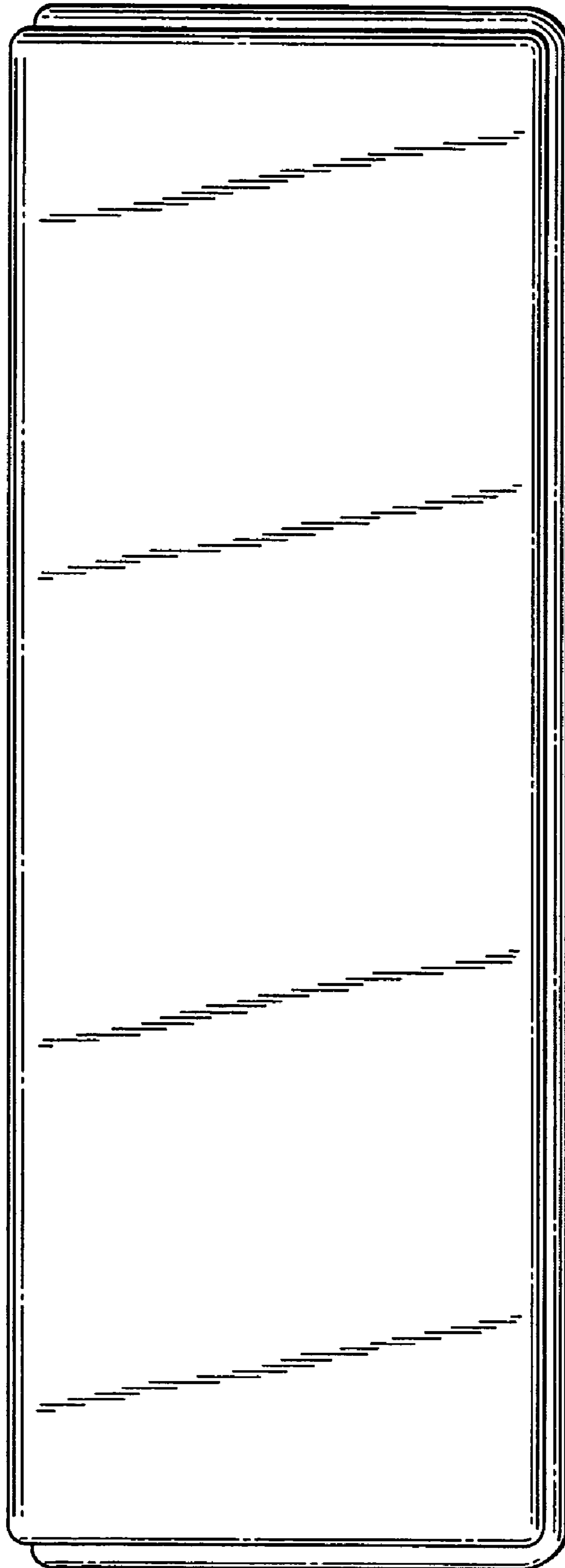


Fig. 2



**Fig. 3**

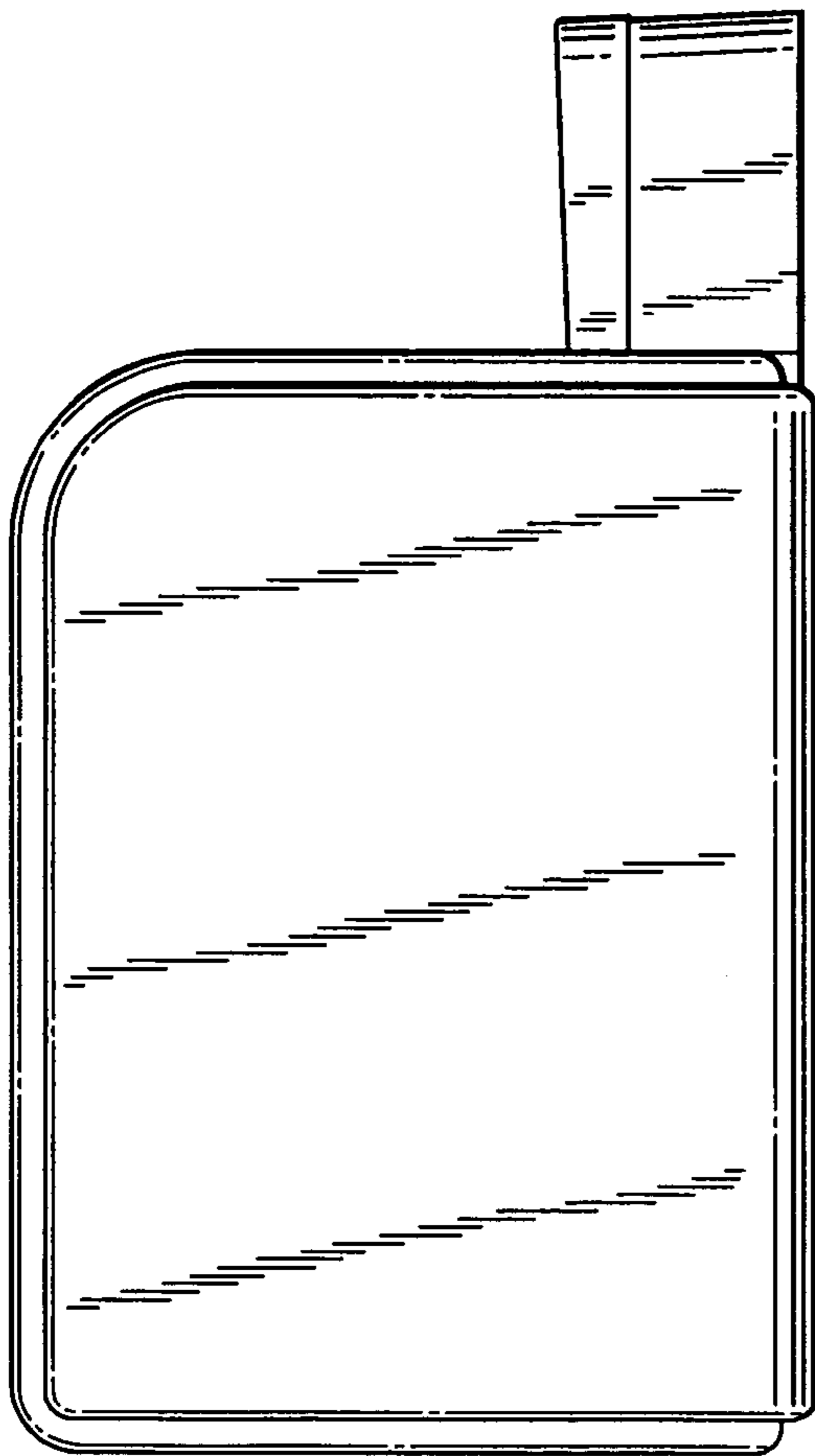


Fig. 4

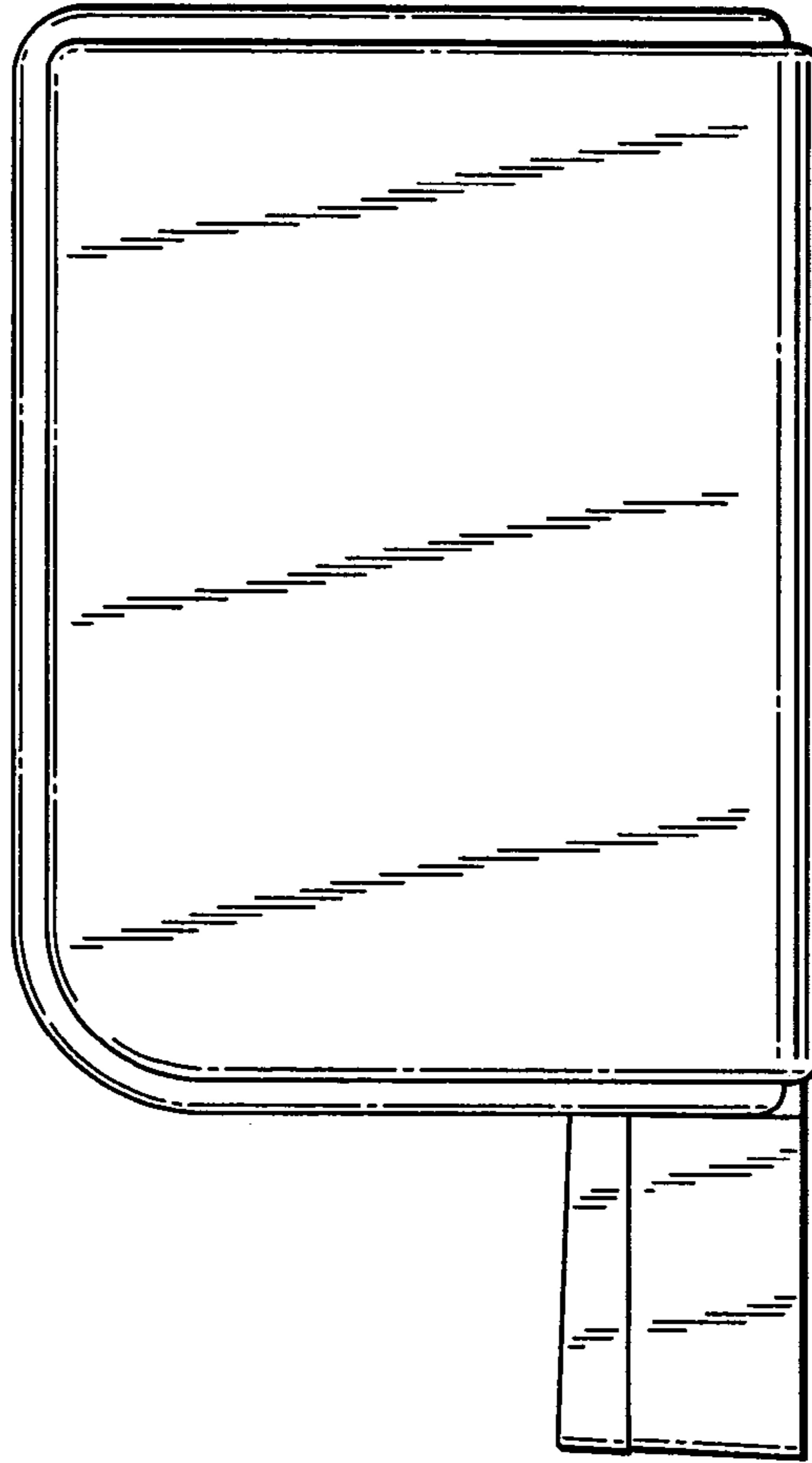


Fig. 5

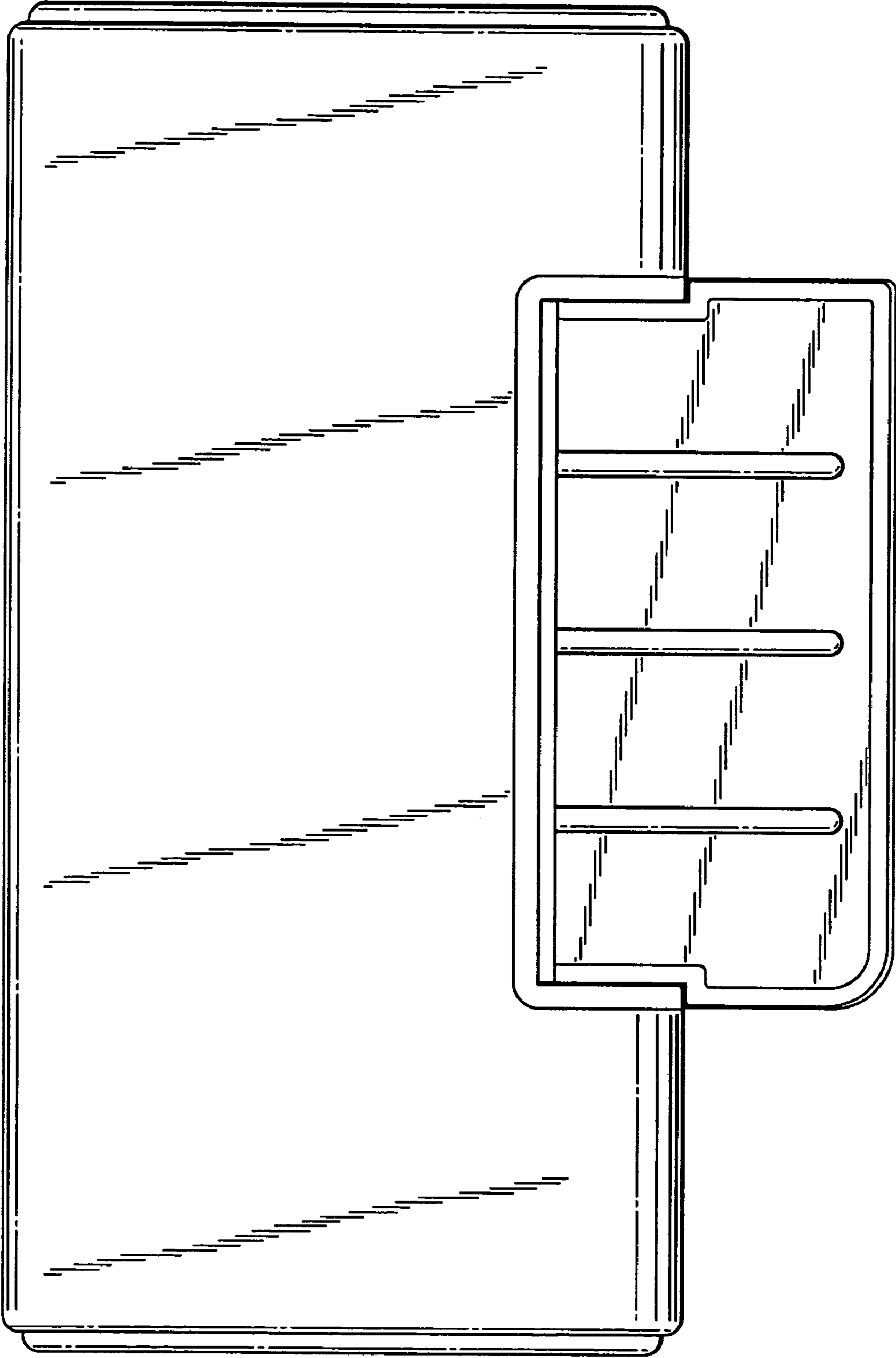


Fig. 6