



US00D554698S

(12) **United States Design Patent** (10) **Patent No.:** **US D554,698 S**  
**Miller et al.** (45) **Date of Patent:** **\*\* Nov. 6, 2007**

(54) **PRINTER**

(75) Inventors: **Harold M. Miller**, Nampa, ID (US);  
**Eric U. Eskey**, Nampa, ID (US);  
**Michael V. Leman**, Eagle, ID (US)

(73) Assignee: **Hewlett-Packard Development Company, L.P.**, Houston, TX (US)

(\*\*) Term: **14 Years**

(21) Appl. No.: **29/226,058**

(22) Filed: **Mar. 23, 2005**

(51) **LOC (8) Cl.** ..... **14-02**

(52) **U.S. Cl.** ..... **D18/55**

(58) **Field of Classification Search** ..... D18/36-39,  
D18/53-54, 54.1, 55; D14/420-425, 462-470;  
399/107; 400/613, 613.1-613.4, 691-694  
See application file for complete search history.

(56) **References Cited**

**U.S. PATENT DOCUMENTS**

- D343,414 S \* 1/1994 Tokuda et al. .... D18/55
- D351,189 S \* 10/1994 Yamaguchi et al. .... D18/55
- D355,927 S \* 2/1995 Chiba ..... D18/55
- D368,113 S \* 3/1996 Tanaka et al. .... D8/55
- D378,218 S \* 2/1997 Hong et al. .... D18/55
- D384,695 S \* 10/1997 Takada ..... D18/55
- D386,519 S \* 11/1997 Meschter et al. .... D18/55
- D432,564 S \* 10/2000 Miyazawa ..... D18/54
- D437,349 S \* 2/2001 Saito et al. .... D18/55
- 6,767,149 B2 \* 7/2004 Yoshihara ..... 400/692

D501,024 S \* 1/2005 Suzuki et al. .... D18/55

\* cited by examiner

*Primary Examiner*—Cathy Anne MacCormac

(57) **CLAIM**

We claim the ornamental design for a printer, as shown and described.

**DESCRIPTION**

FIG. 1 is a top perspective view of a printer showing our new design;

FIG. 2 is top plan view thereof;

FIG. 3 is a right-side elevational view thereof;

FIG. 4 is a front elevational view thereof;

FIG. 5 is a left-side elevational view thereof;

FIG. 6 is a rear elevational view thereof;

FIG. 7 is another top perspective view thereof.

FIG. 8 is another top plan view thereof;

FIG. 9 is another right-side elevational view thereof;

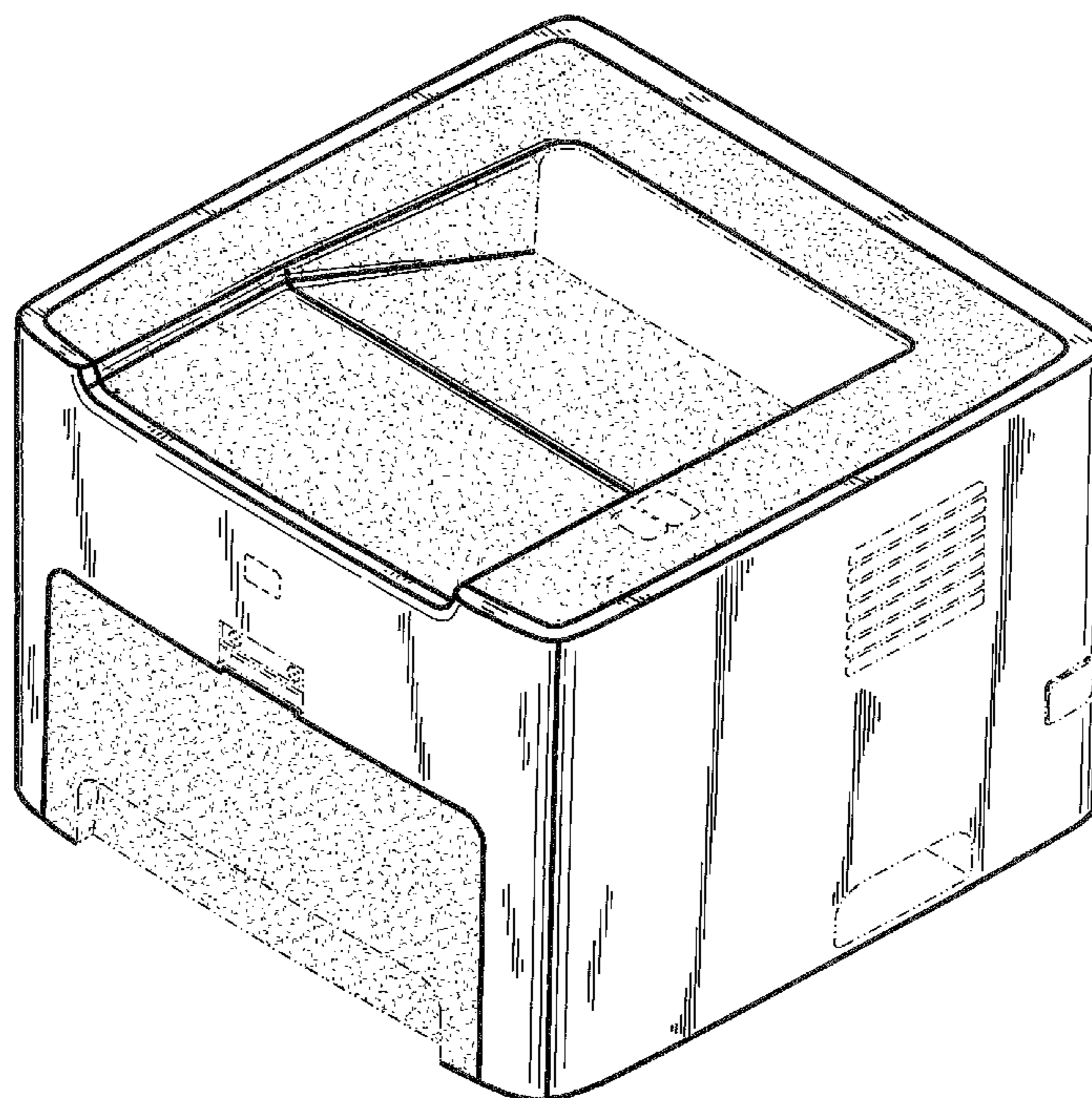
FIG. 10 is another front elevational view thereof;

FIG. 11 is another left-side elevational view thereof; and,

FIG. 12 is another rear elevational view thereof.

All the broken lines on the drawings are for illustrative purposes only and form no part of the claimed design. The broken lines added to FIGS. 7-12, not seen on FIGS. 1-6, are superimposed on the underlying surface.

**1 Claim, 8 Drawing Sheets**



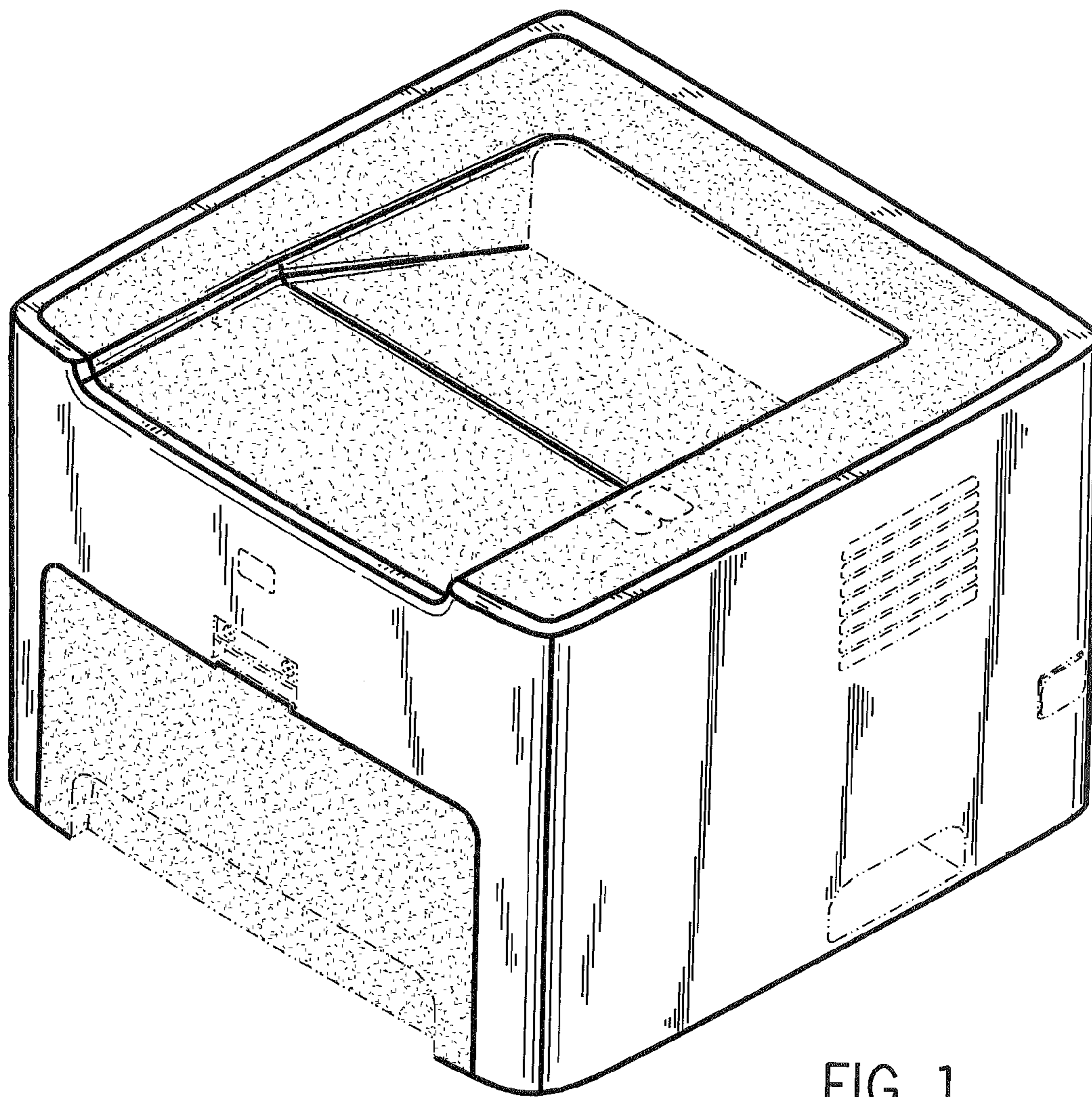


FIG. 1

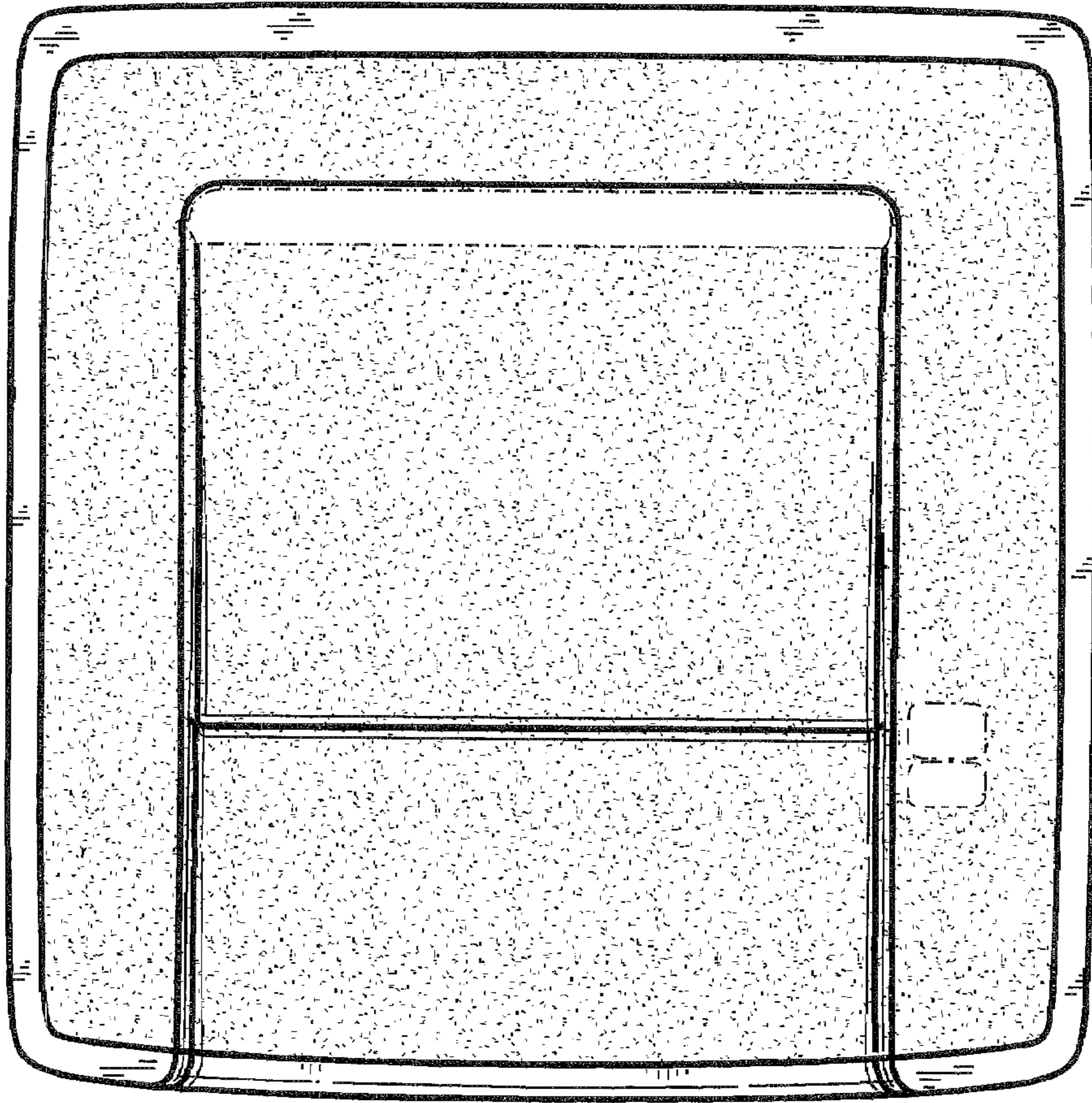


FIG. 2

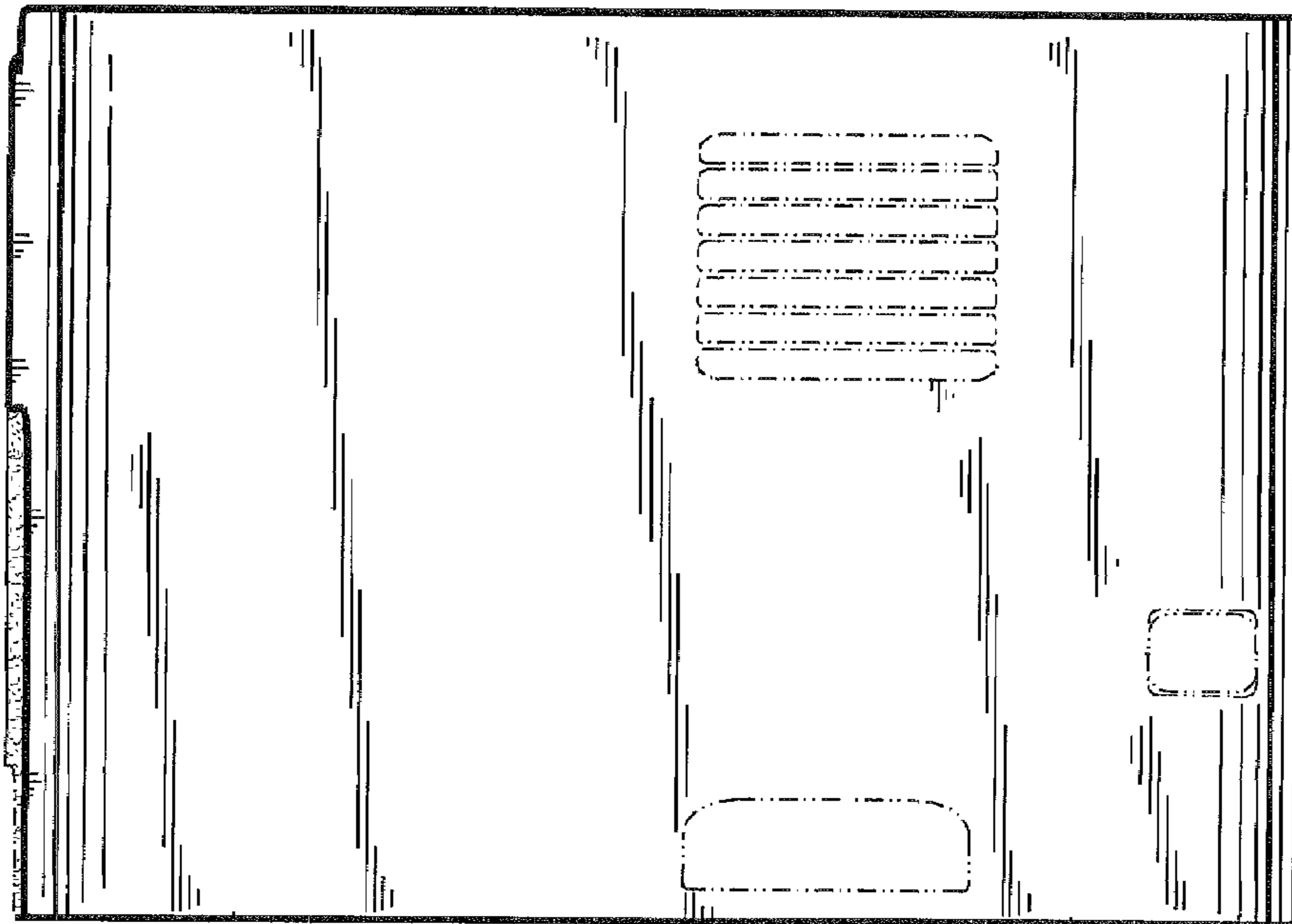


FIG. 3

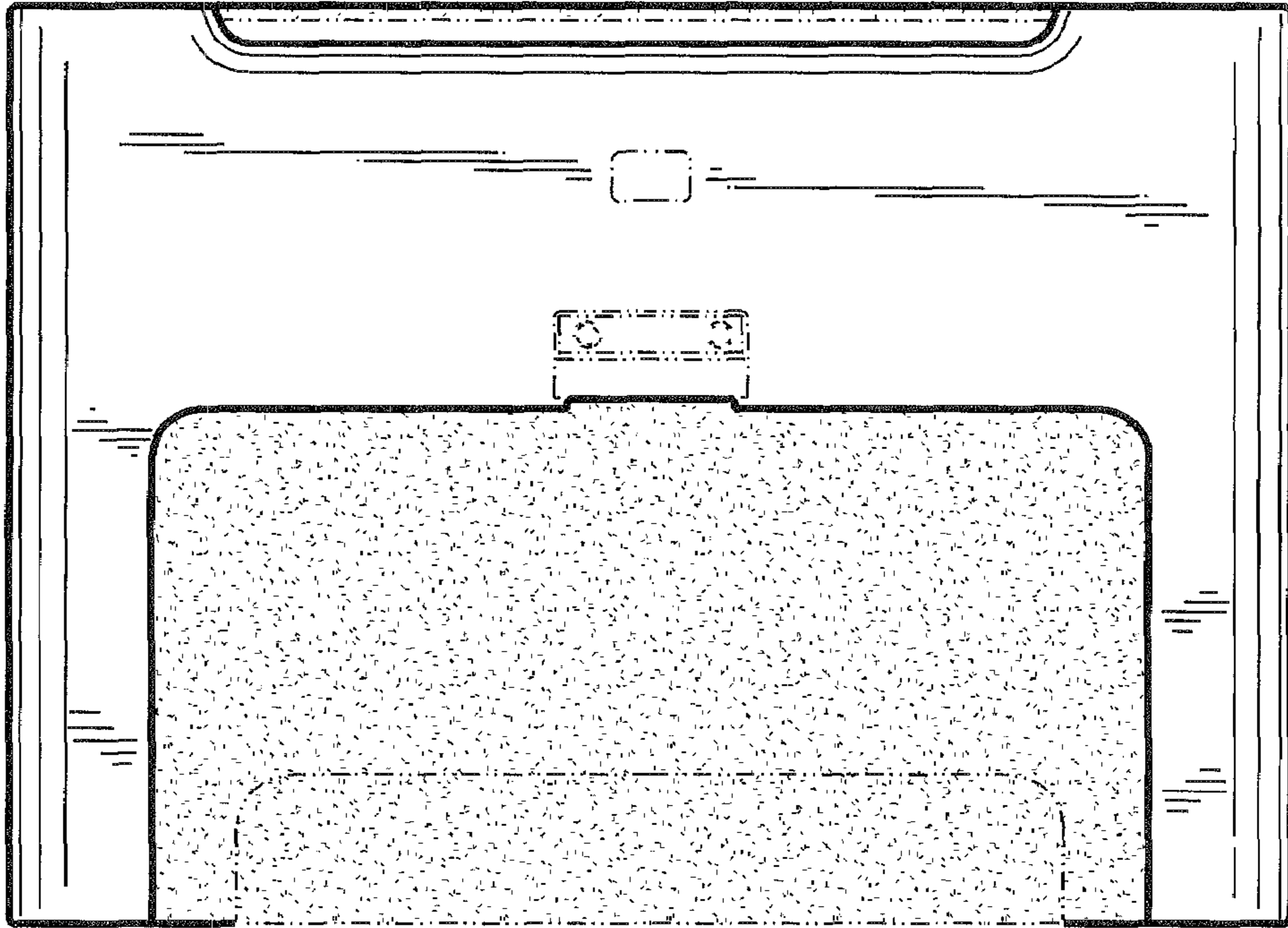


FIG. 4

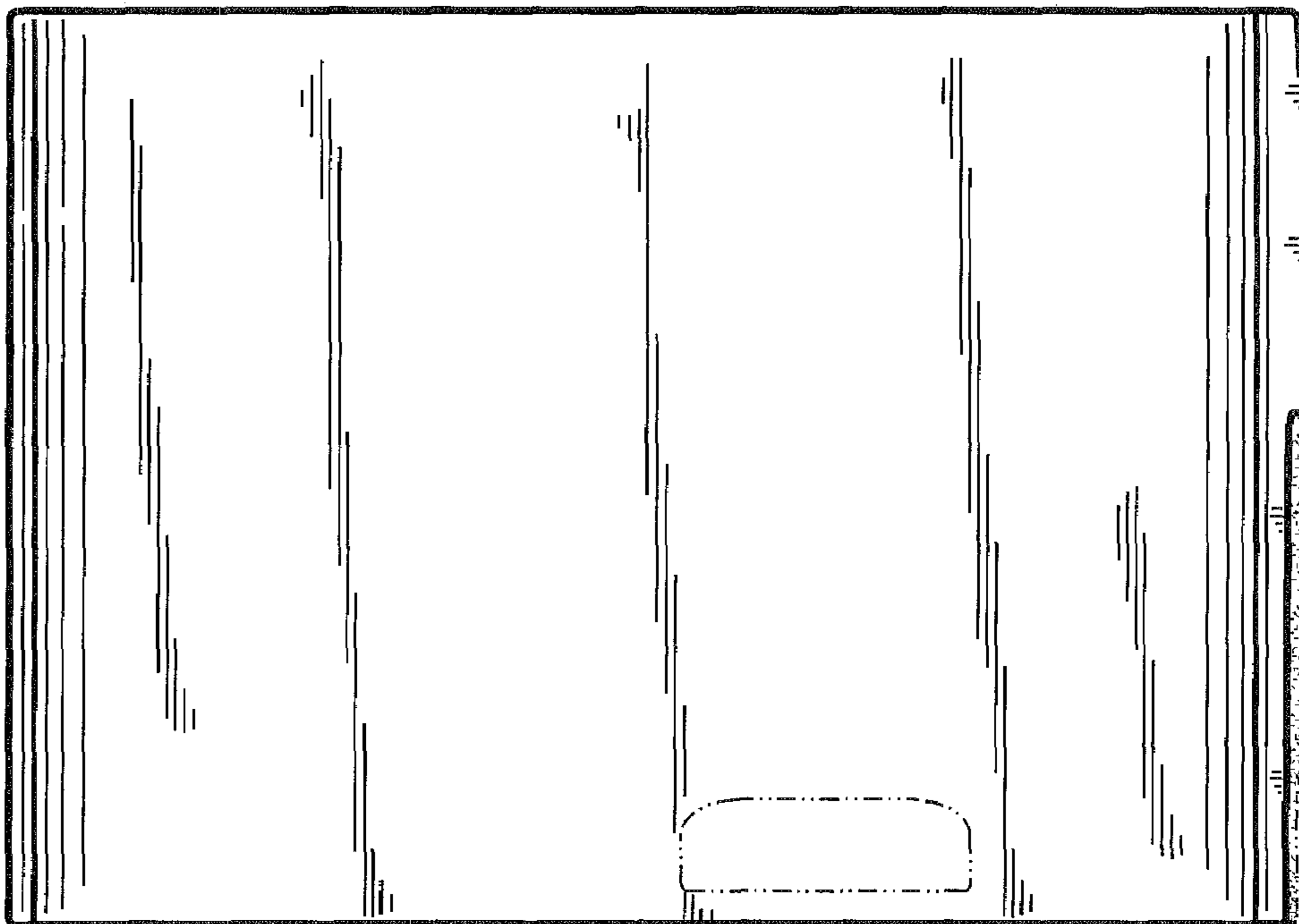


FIG. 5

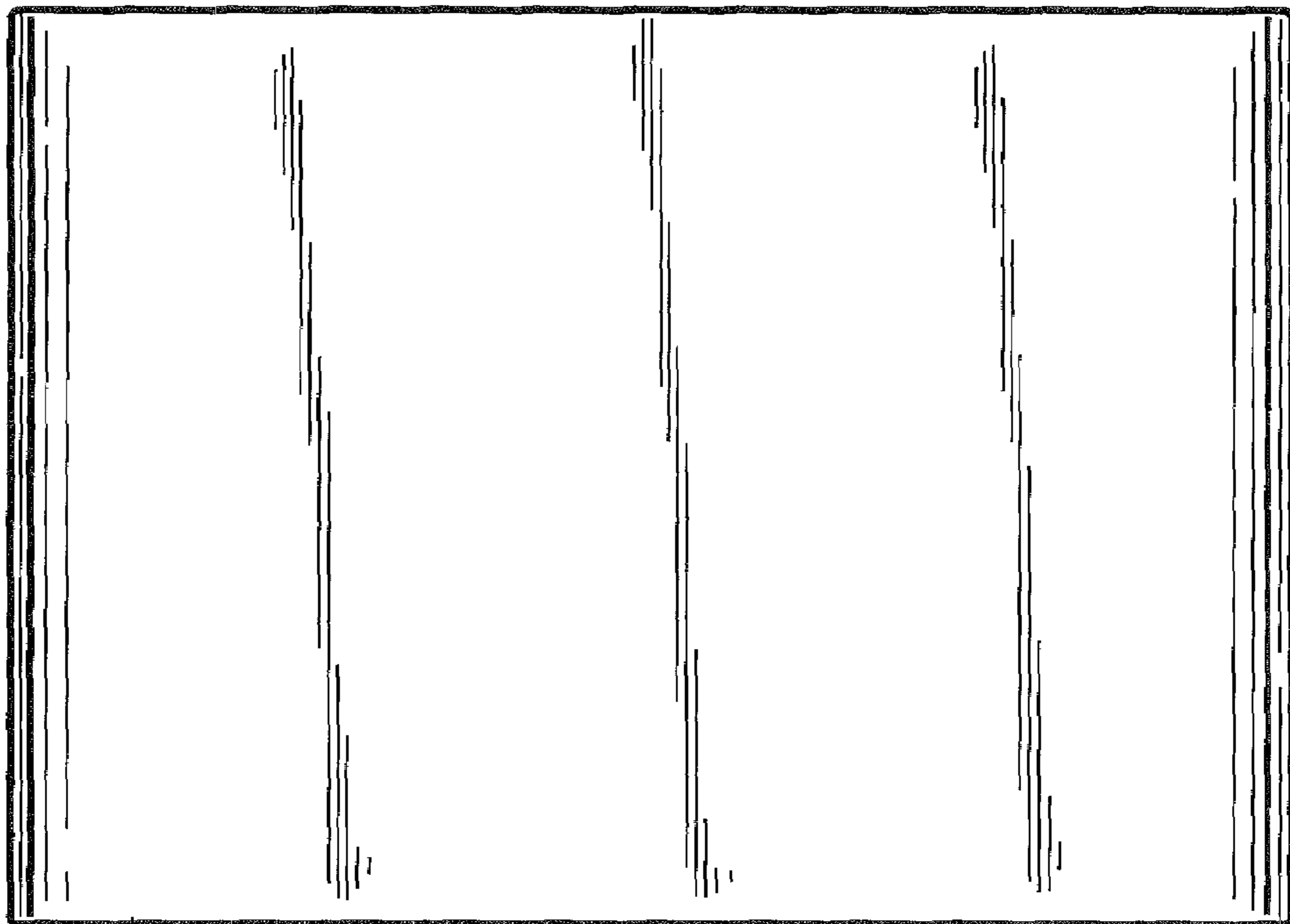


FIG. 6

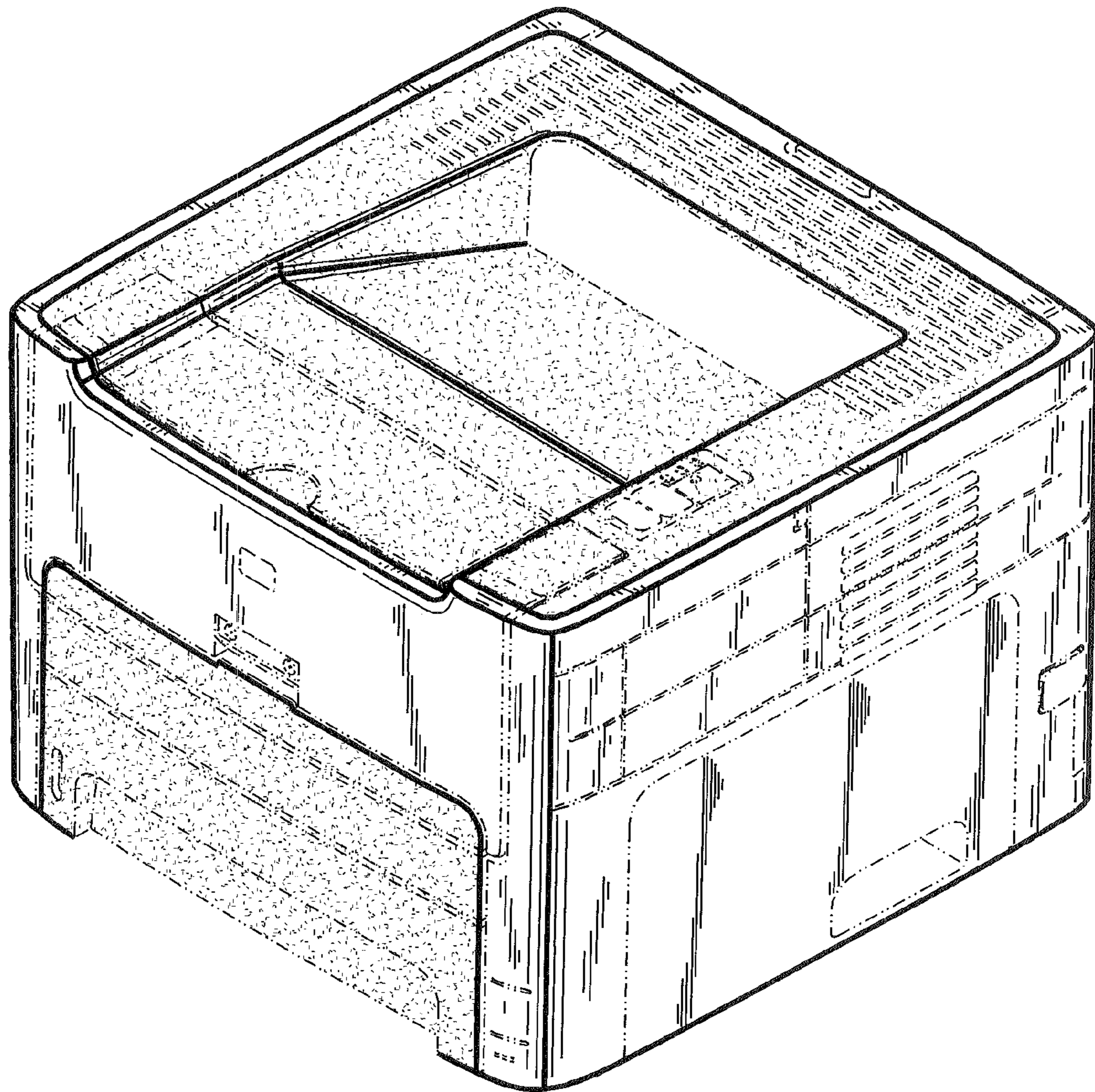


FIG. 7

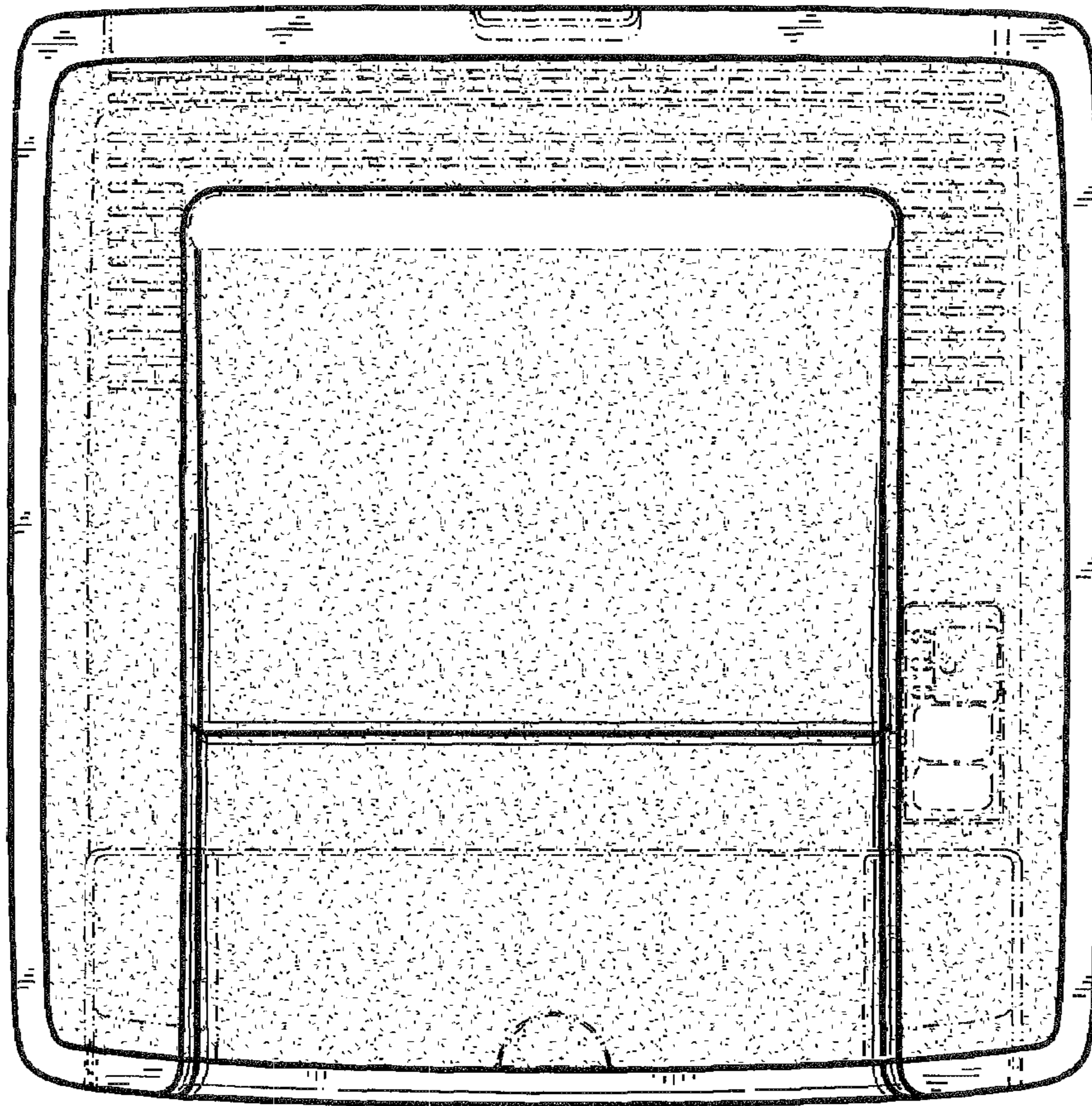


FIG. 8

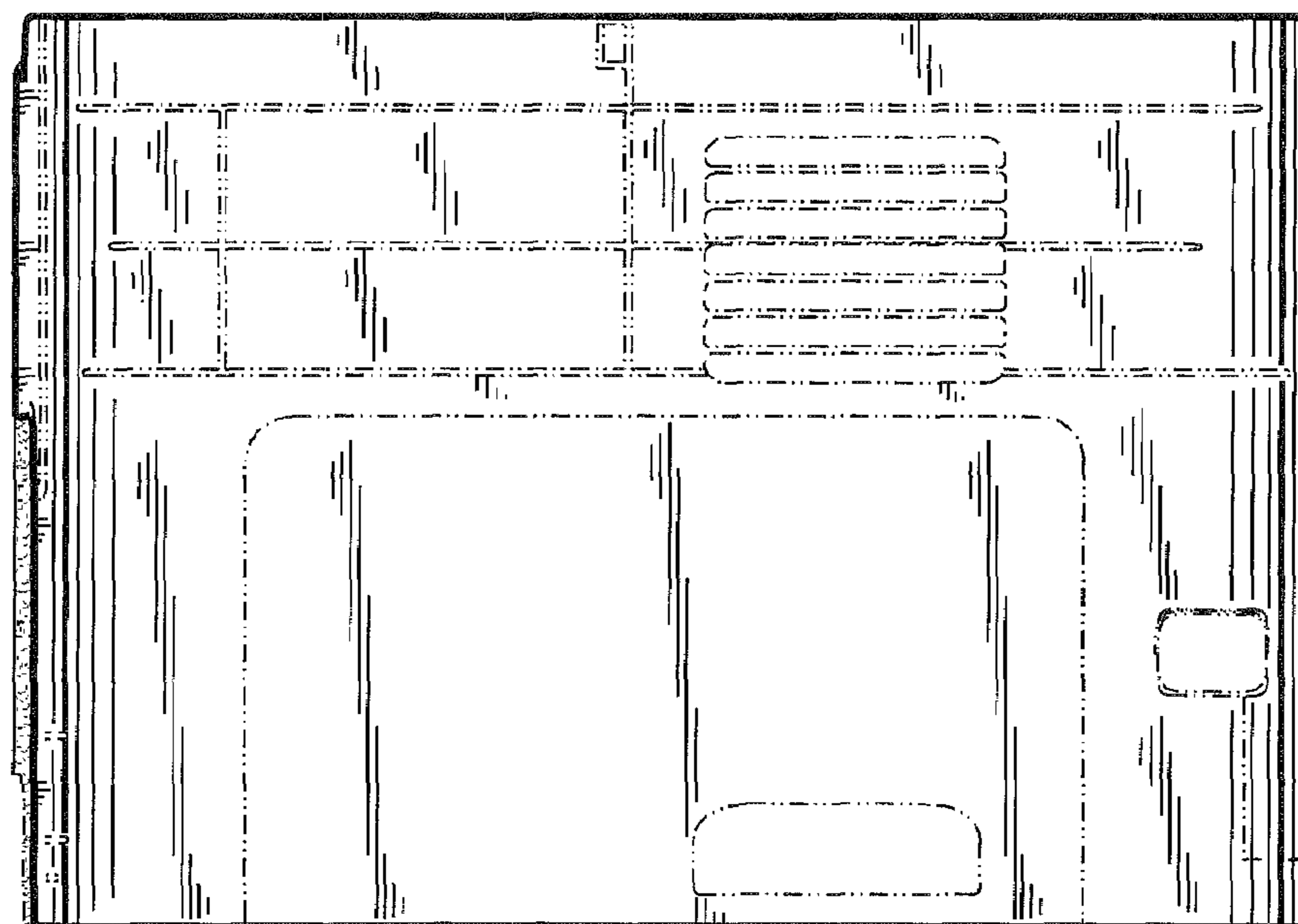


FIG. 9

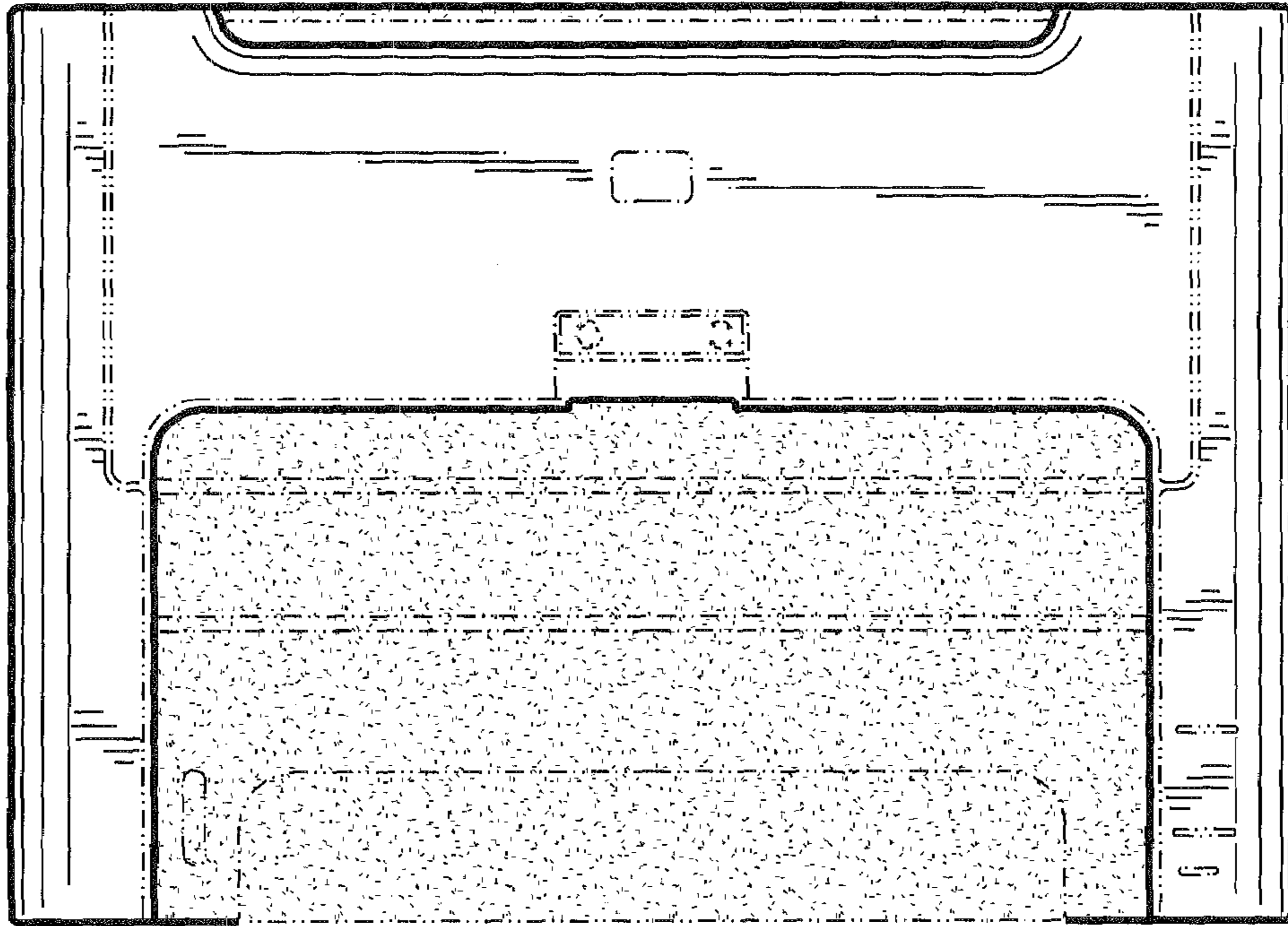


FIG. 10

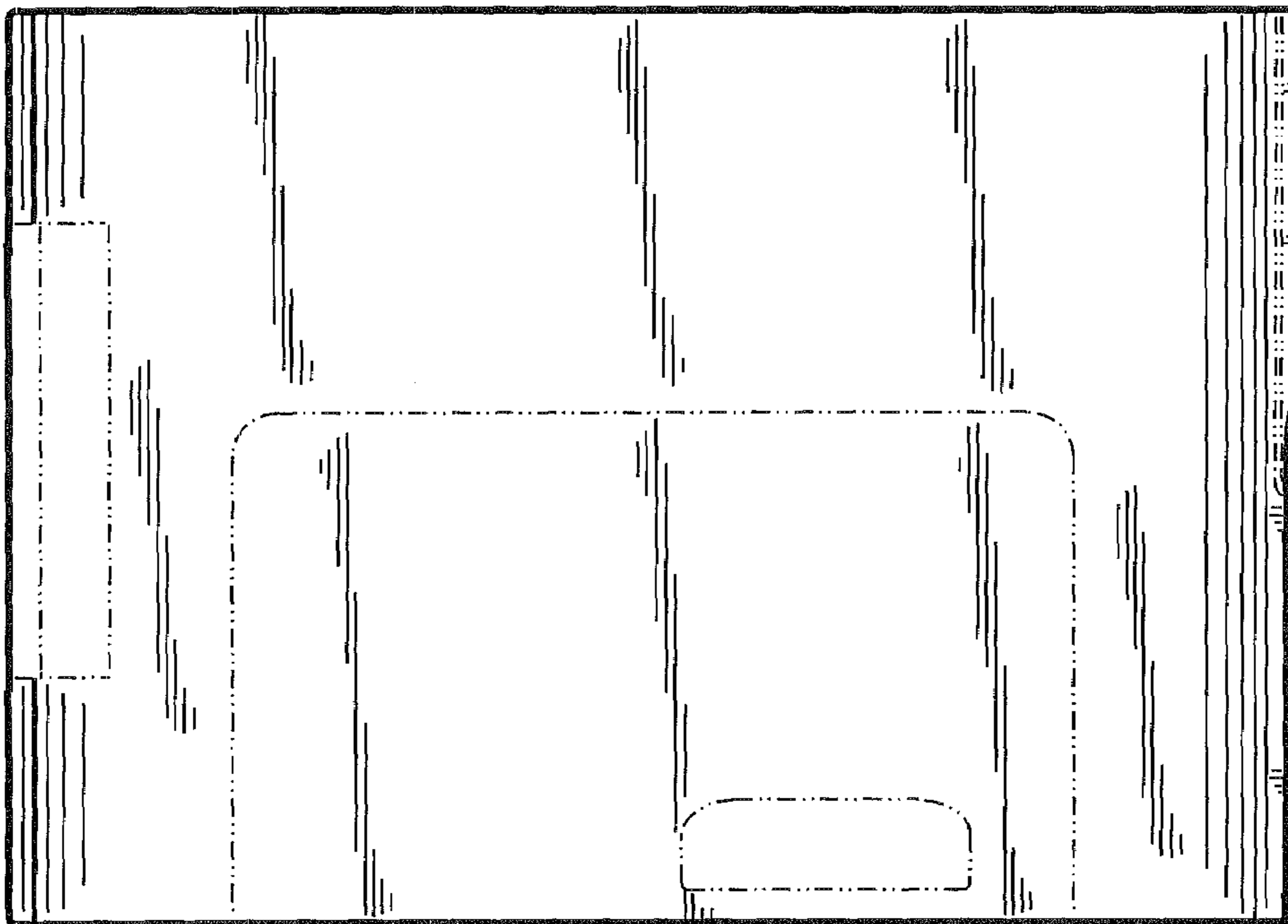


FIG. 11



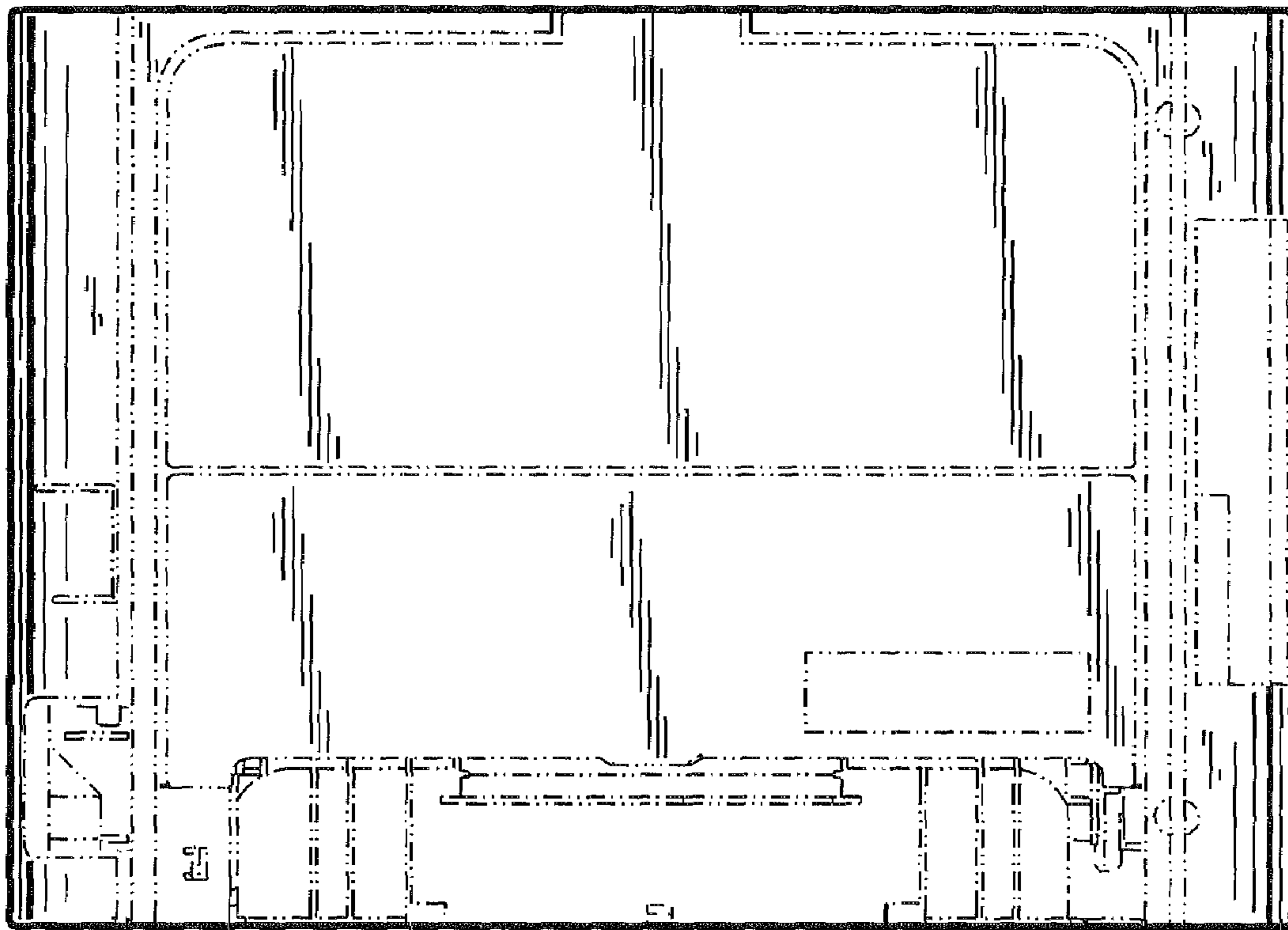


FIG. 12