



US00D554693S

(12) **United States Design Patent**
Kuramochi et al.

(10) **Patent No.:** **US D554,693 S**
(45) **Date of Patent:** **** Nov. 6, 2007**

(54) **ELECTRONIC KEYBOARD MUSICAL INSTRUMENT**

(75) Inventors: **Naoki Kuramochi**, Tokyo (JP); **Ichiro Hashimoto**, Tokyo (JP)

(73) Assignee: **Casio Keisanki Kabushiki Kaisha**, Tokyo (JP)

(**) Term: **14 Years**

(21) Appl. No.: **29/285,144**

(22) Filed: **Mar. 22, 2007**

(51) **LOC (8) Cl.** **17-01**

(52) **U.S. Cl.** **D17/7**

(58) **Field of Classification Search** D17/1,
D17/2, 7, 9; 84/13, 17, 172, 174, 176, 423 R,
84/718-720, DIG. 1

See application file for complete search history.

(56) **References Cited**

U.S. PATENT DOCUMENTS

2,947,210	A *	8/1960	Facey et al.	84/177
D227,572	S *	7/1973	Wyatt	D19/60
D260,098	S *	8/1981	Antonelli	D17/7
5,465,644	A *	11/1995	Shimoda et al.	84/423 R
D372,728	S *	8/1996	Mizushima	D17/7
D386,514	S *	11/1997	Nakada et al.	D17/7
D467,607	S *	12/2002	Yanase et al.	D17/7
2005/0066798	A1 *	3/2005	Naito	84/743
2007/0012162	A1 *	1/2007	Saito	84/478

FOREIGN PATENT DOCUMENTS

GB 000009436-0001 * 5/2005

JP 11296163 A * 10/1999
JP 2003248480 A * 9/2003
JP 2005338284 A * 12/2005

* cited by examiner

Primary Examiner—Ian Simmons

Assistant Examiner—R. Johnson

(74) *Attorney, Agent, or Firm*—Frishauf, Holtz, Goodman & Chick, P.C.

(57) **CLAIM**

The ornamental design for an electronic keyboard musical instrument, as shown and described.

DESCRIPTION

FIG. 1 is a front, right side, top perspective view of an electronic keyboard musical instrument showing our new design;

FIG. 2 is a front elevational view thereof;

FIG. 3 is a rear elevational view thereof;

FIG. 4 is a left side view thereof;

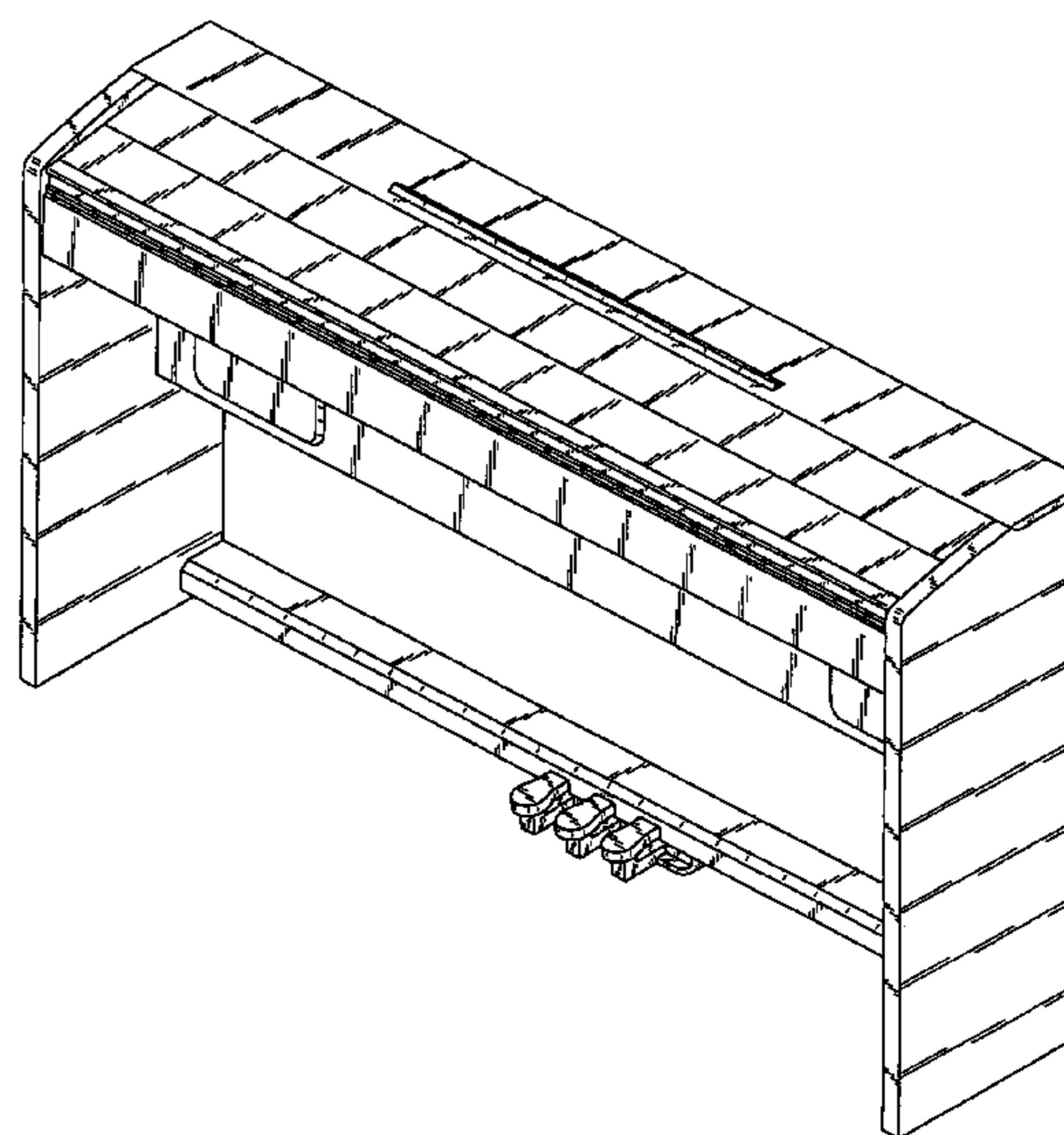
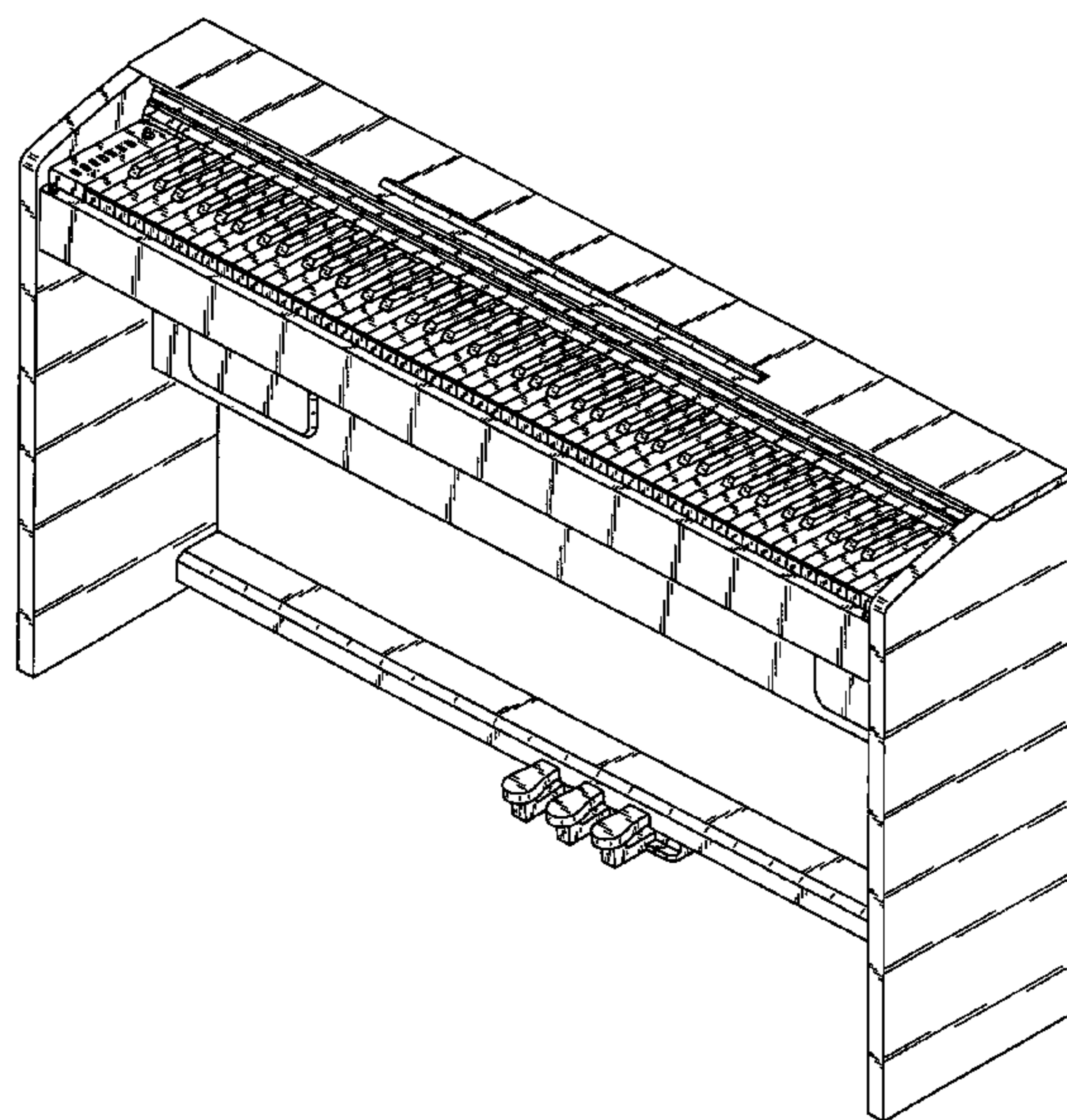
FIG. 5 is a right side view thereof;

FIG. 6 is a top plan view thereof;

FIG. 7 is a bottom plan view thereof; and,

FIG. 8 is a perspective view thereof with a cover closed.

1 Claim, 8 Drawing Sheets



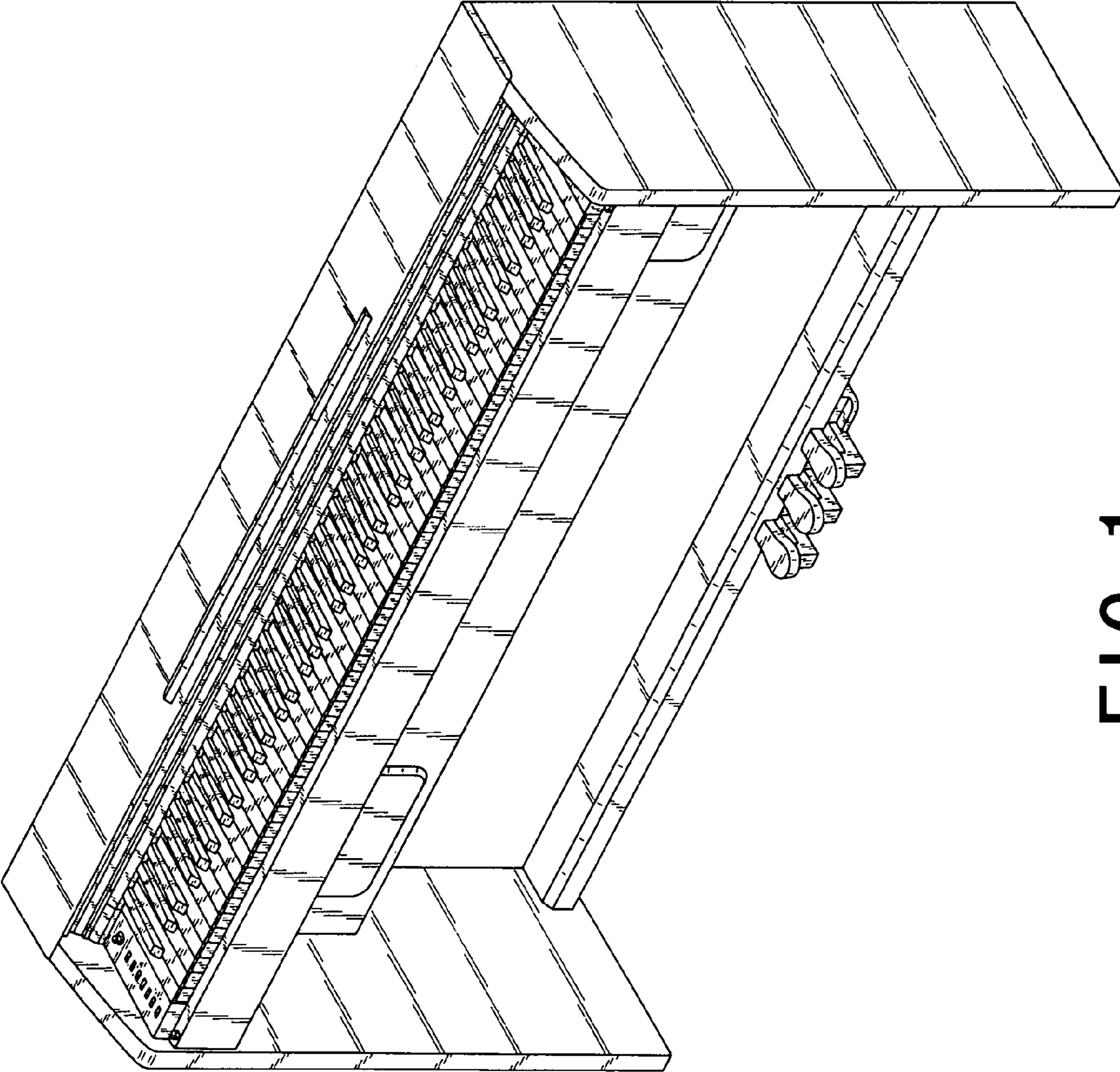


FIG. 1

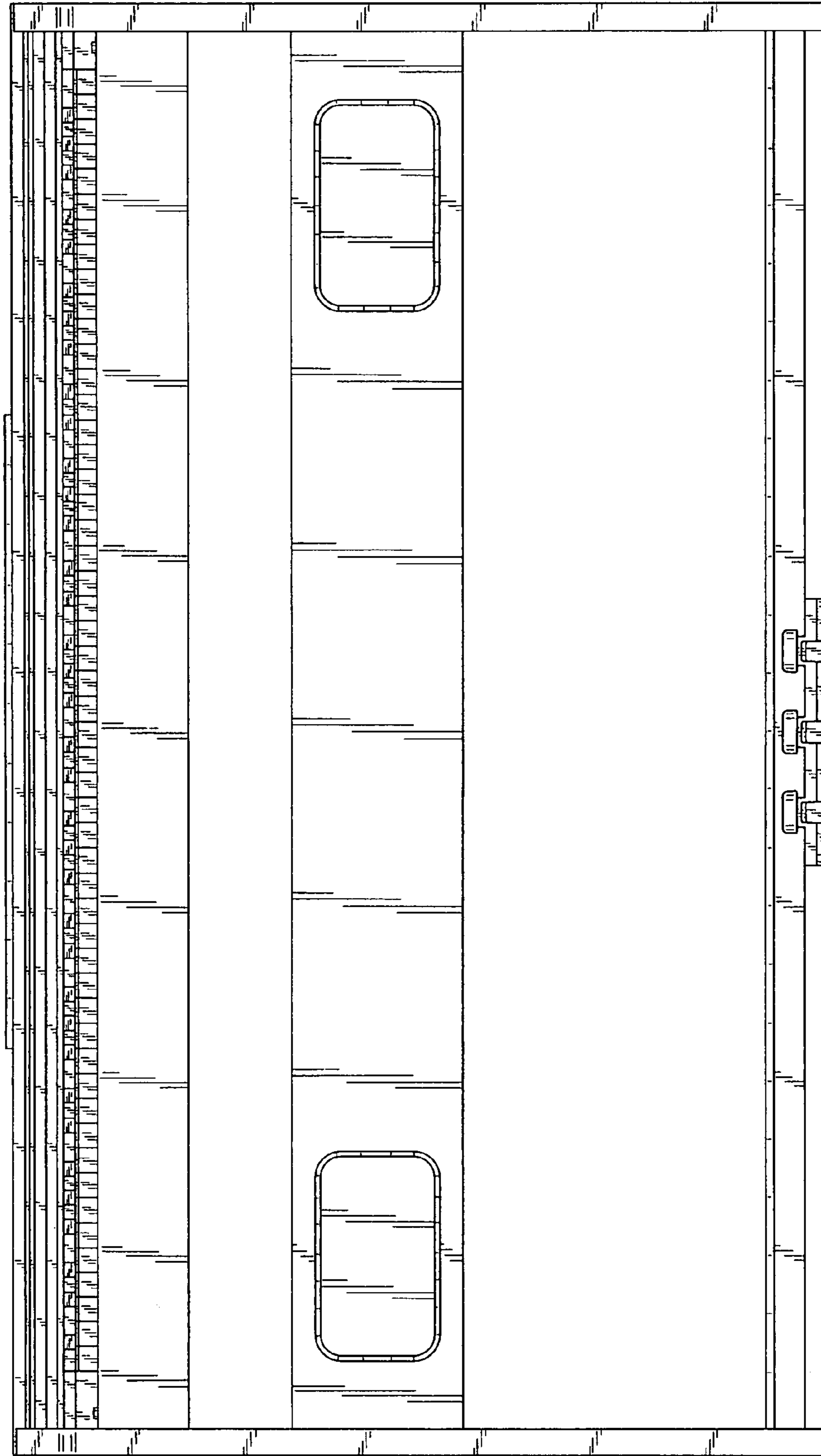


FIG. 2

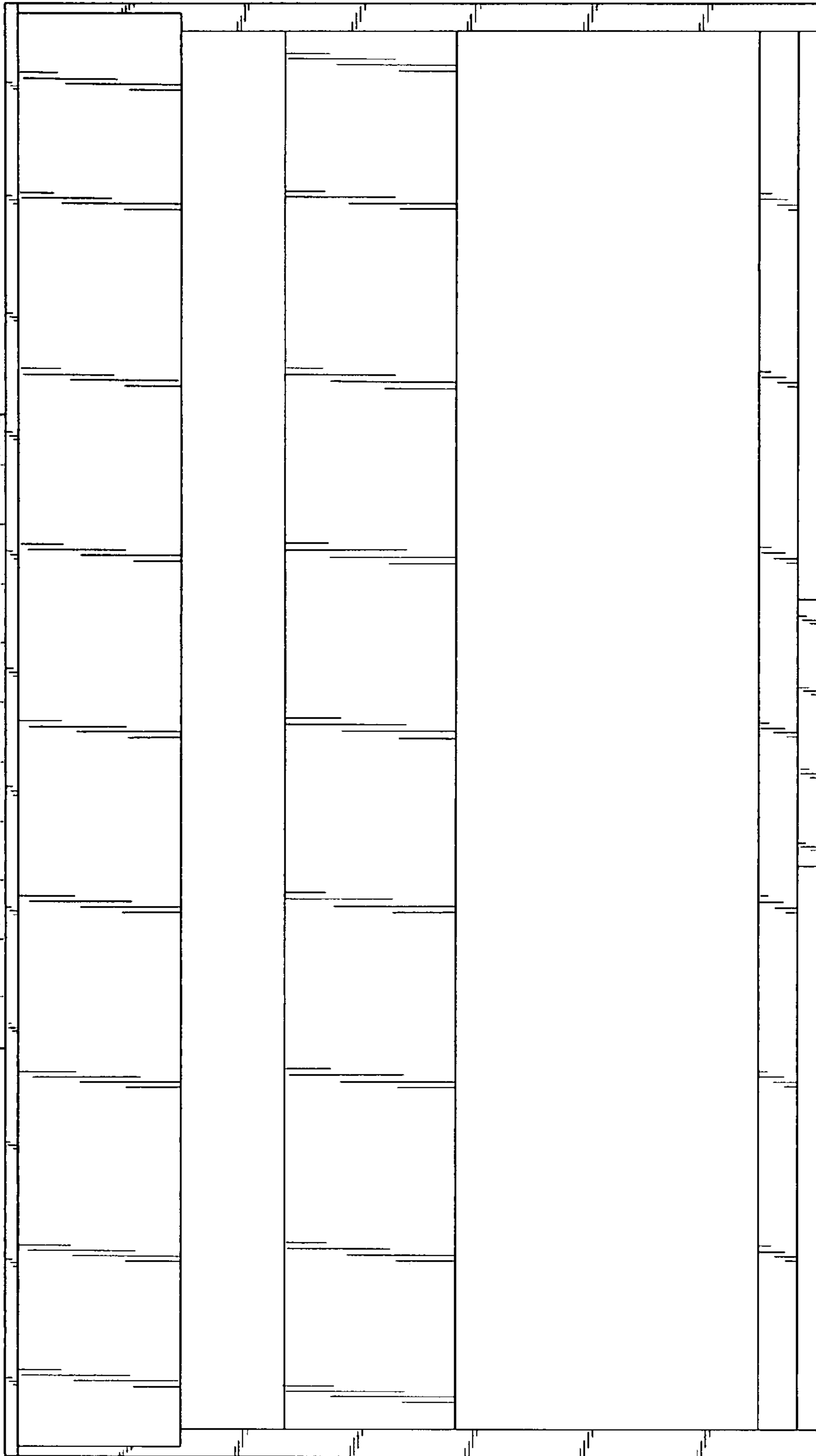


FIG. 3

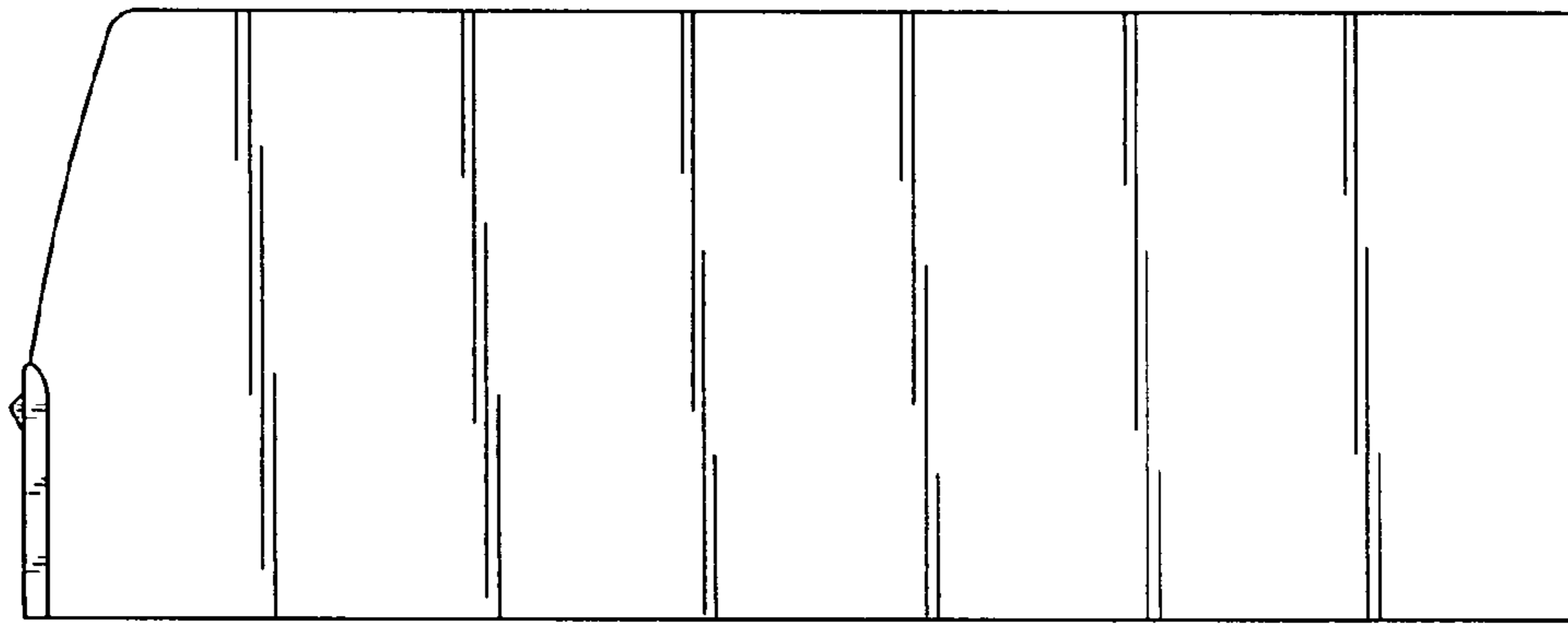


FIG. 4

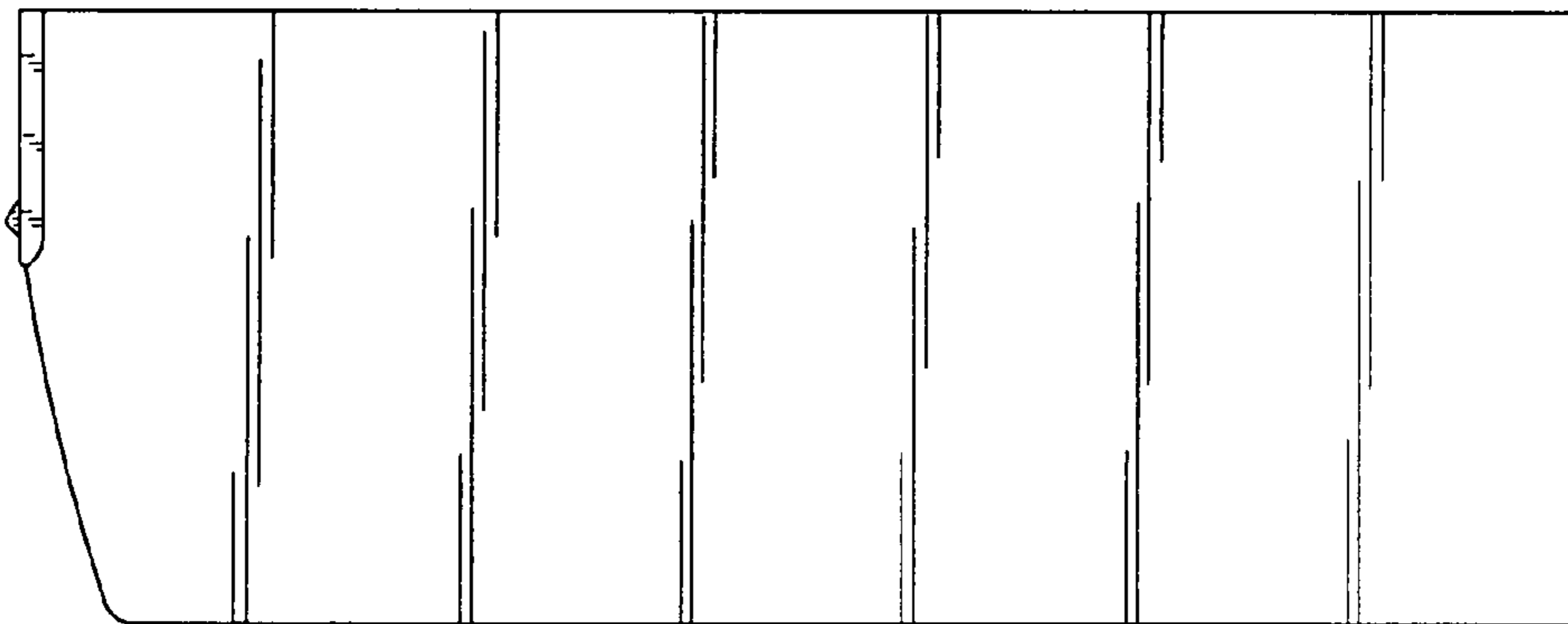


FIG. 5

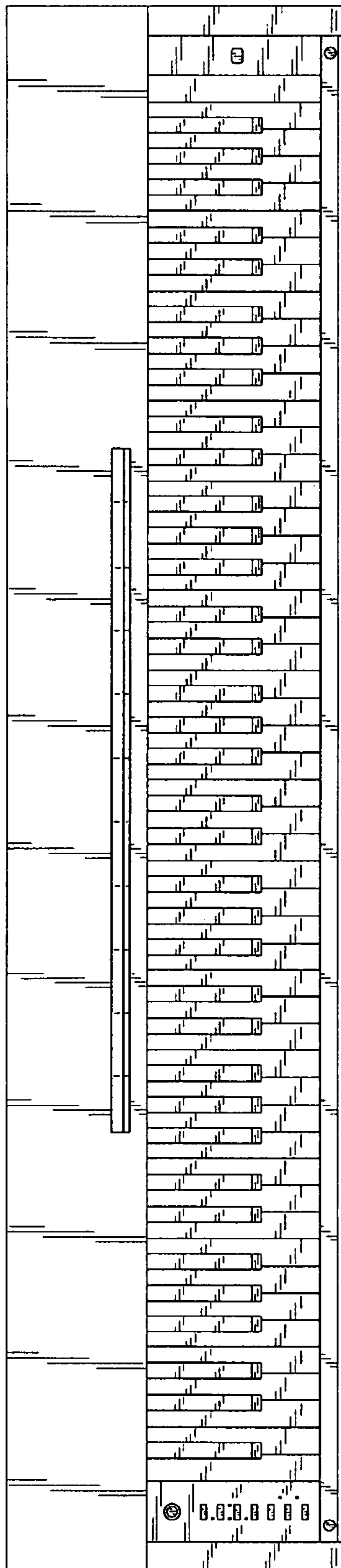


FIG. 6

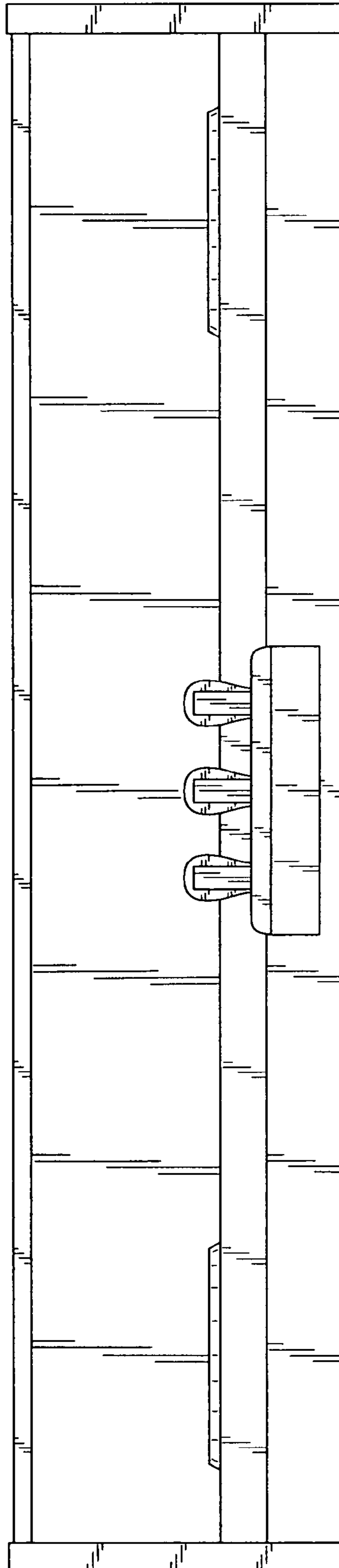


FIG. 7

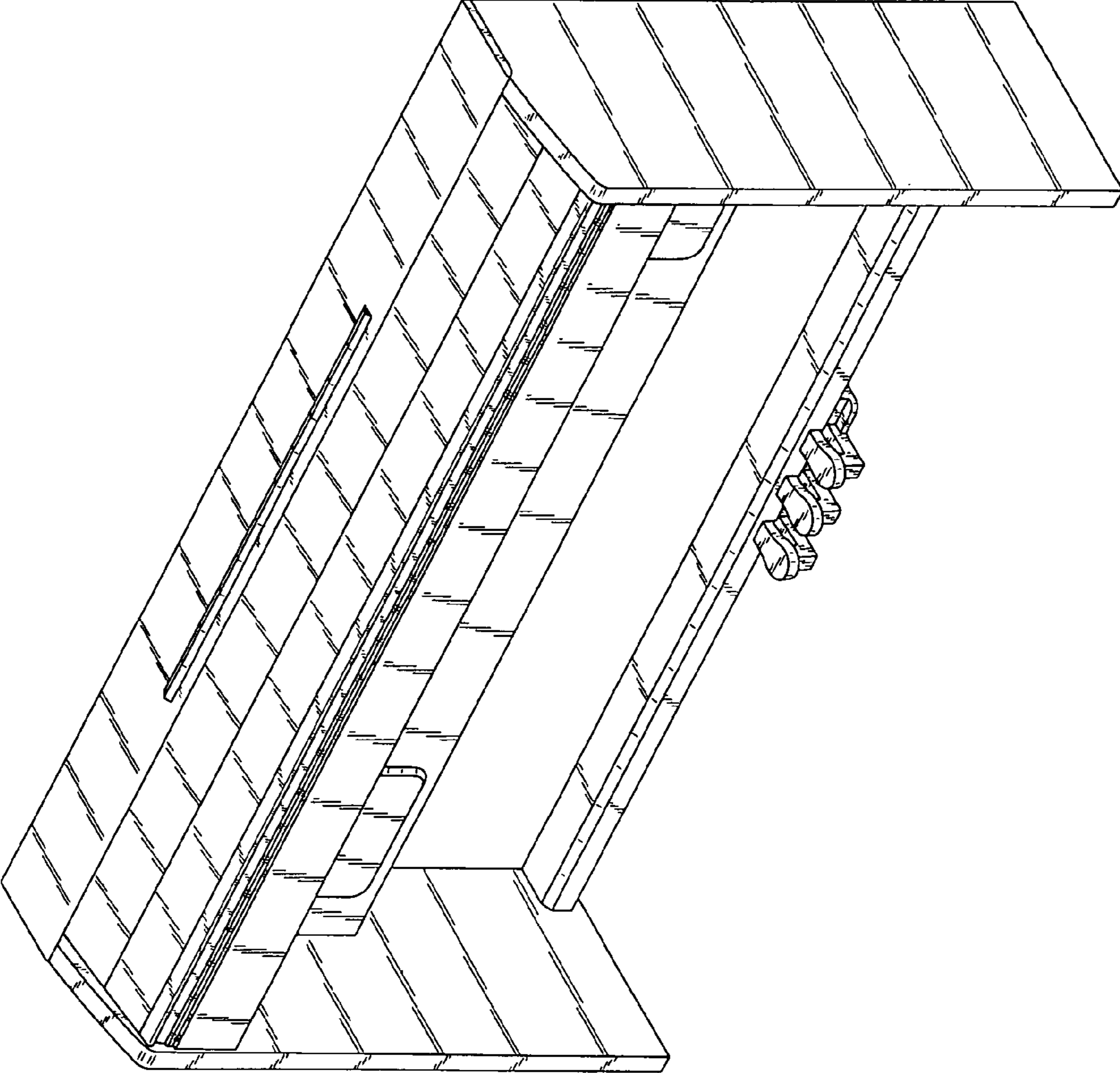


FIG. 8