



US00D554686S

(12) **United States Design Patent**  
**Teng**

(10) **Patent No.:** **US D554,686 S**

(45) **Date of Patent:** **\*\* Nov. 6, 2007**

(54) **GOGGLE FRAME**

(75) Inventor: **Wei-Che Teng**, Tainan (TW)

(73) Assignee: **Irene Corporation**, Wan Lee Tainan (TW)

(\*\*) Term: **14 Years**

(21) Appl. No.: **29/272,595**

(22) Filed: **Feb. 12, 2007**

(51) **LOC (8) Cl.** ..... **06-06**

(52) **U.S. Cl.** ..... **D16/312**

(58) **Field of Classification Search** ..... D16/101,  
D16/300, 303, 304, 311, 312, 319, 325, 326;  
D24/110.2; D29/108-110; 2/426, 428-430,  
2/432, 436-447

See application file for complete search history.

(56) **References Cited**

**U.S. PATENT DOCUMENTS**

D242,666	S	*	12/1976	Smith	.....	D16/312
D273,819	S	*	5/1984	Yehl	.....	D16/312
D292,329	S	*	10/1987	Vitaloni	.....	D16/312
D328,084	S	*	7/1992	Salce et al.	.....	D16/312
D342,810	S	*	12/1993	Berenson	.....	D16/312
D351,850	S	*	10/1994	Bolle	.....	D16/304
D352,726	S	*	11/1994	Bolle	.....	D16/312
6,047,410	A	*	4/2000	Dondero	.....	2/426
D537,099	S	*	2/2007	Saderholm et al.	.....	D16/312

D538,834	S	*	3/2007	Mangum	.....	D16/312
D542,326	S	*	5/2007	Chiang	.....	D16/311
2005/0210568	A1	*	9/2005	Sheldon	.....	2/426

\* cited by examiner

*Primary Examiner*—T. Chase Nelson

*Assistant Examiner*—Barbara Blanton Lohr

(74) *Attorney, Agent, or Firm*—Alan Kamrath; Kamrath & Associates PA

(57) **CLAIM**

The ornamental design for a goggle frame, as shown and described.

**DESCRIPTION**

FIG. 1 is a perspective view of a goggle frame showing my new design;

FIG. 2 is a front side elevational view thereof;

FIG. 3 is a rear side elevational view thereof;

FIG. 4 is a left side elevational view thereof;

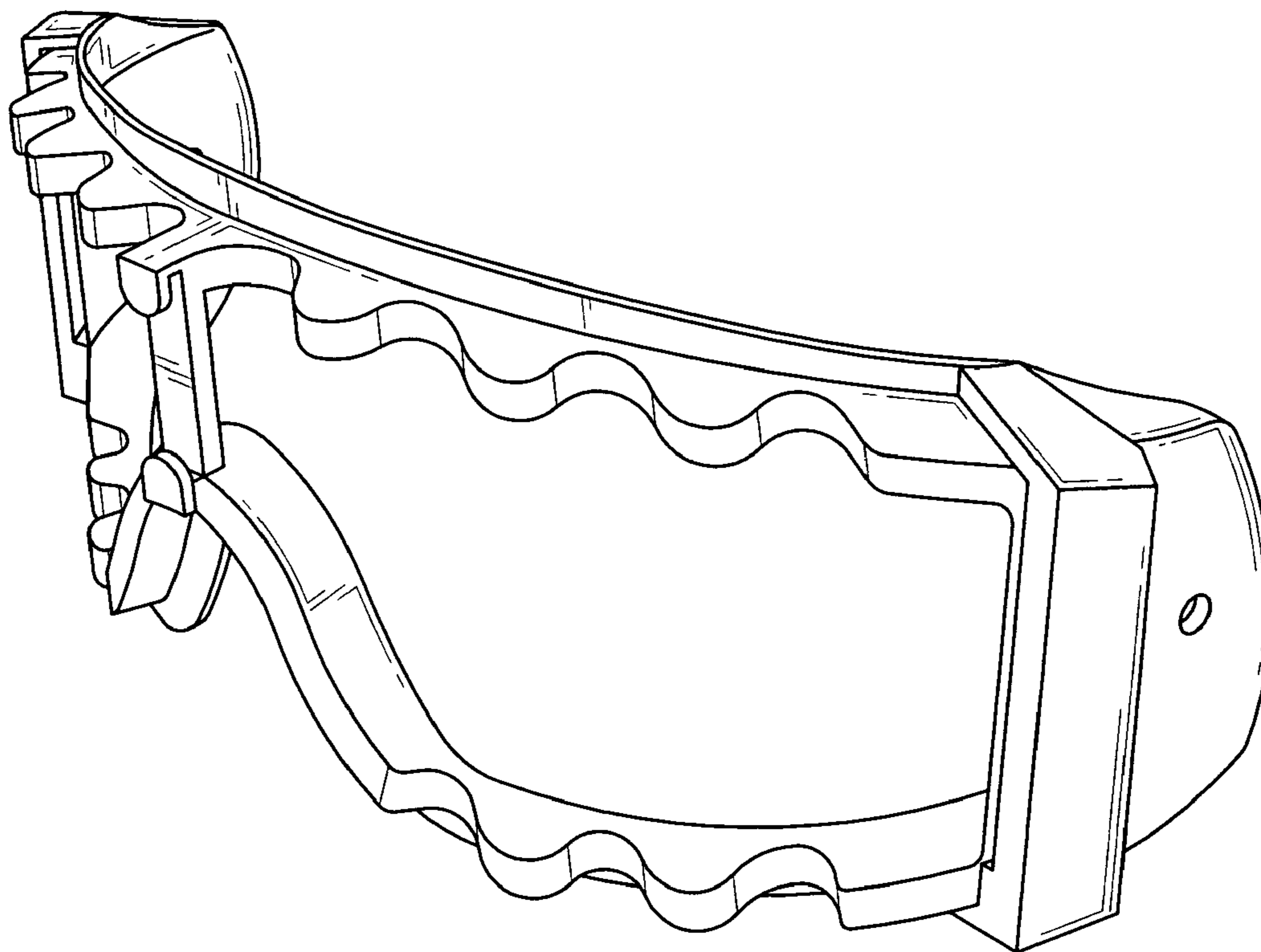
FIG. 5 is a right side elevational view thereof;

FIG. 6 is a top plan view thereof;

FIG. 7 is a bottom plan view thereof; and,

FIG. 8 is a perspective view of the goggle frame in condition of use, the broken lines are for illustrative purposes and form no part of the claimed design.

**1 Claim, 5 Drawing Sheets**



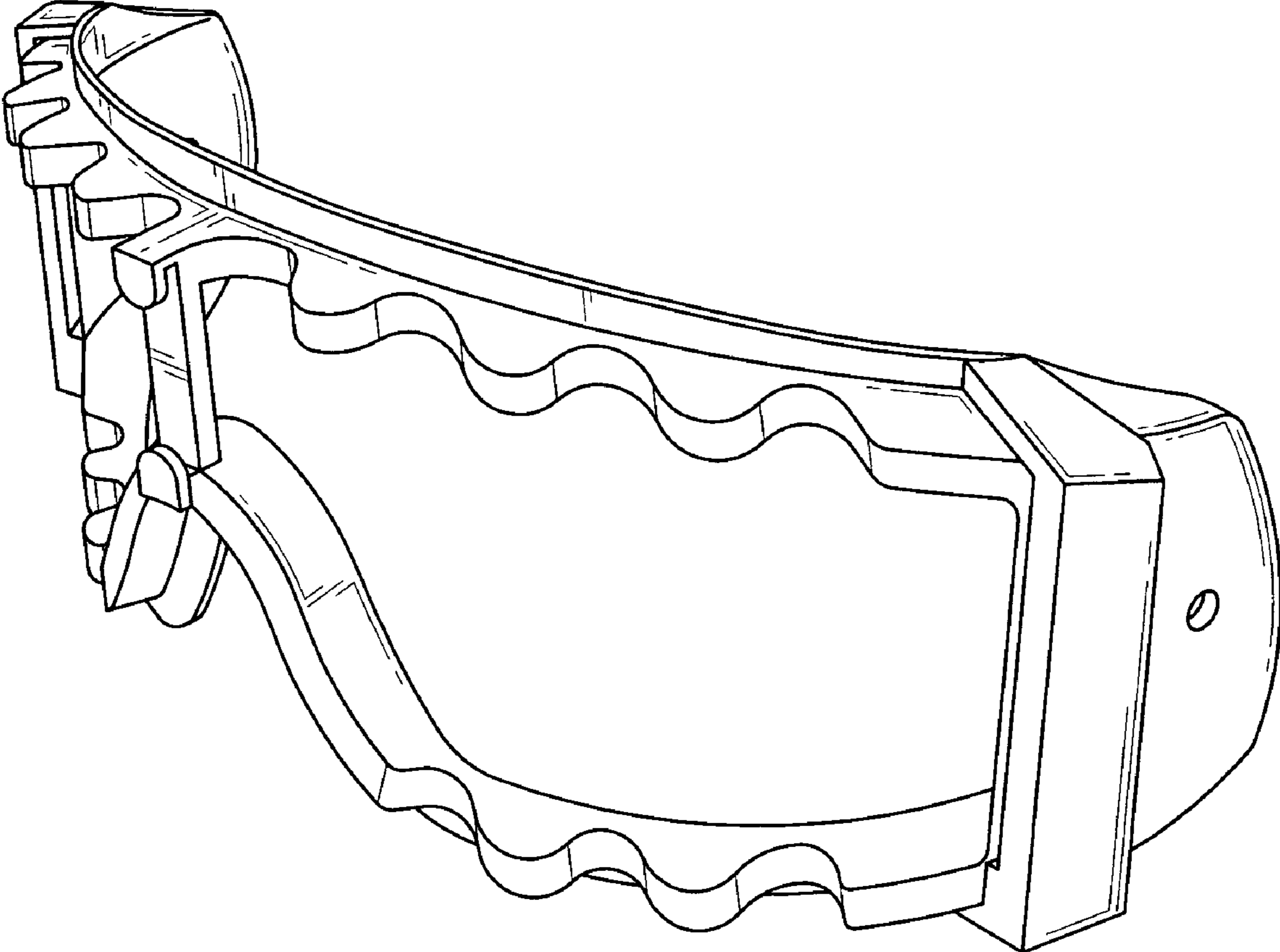


FIG. 1

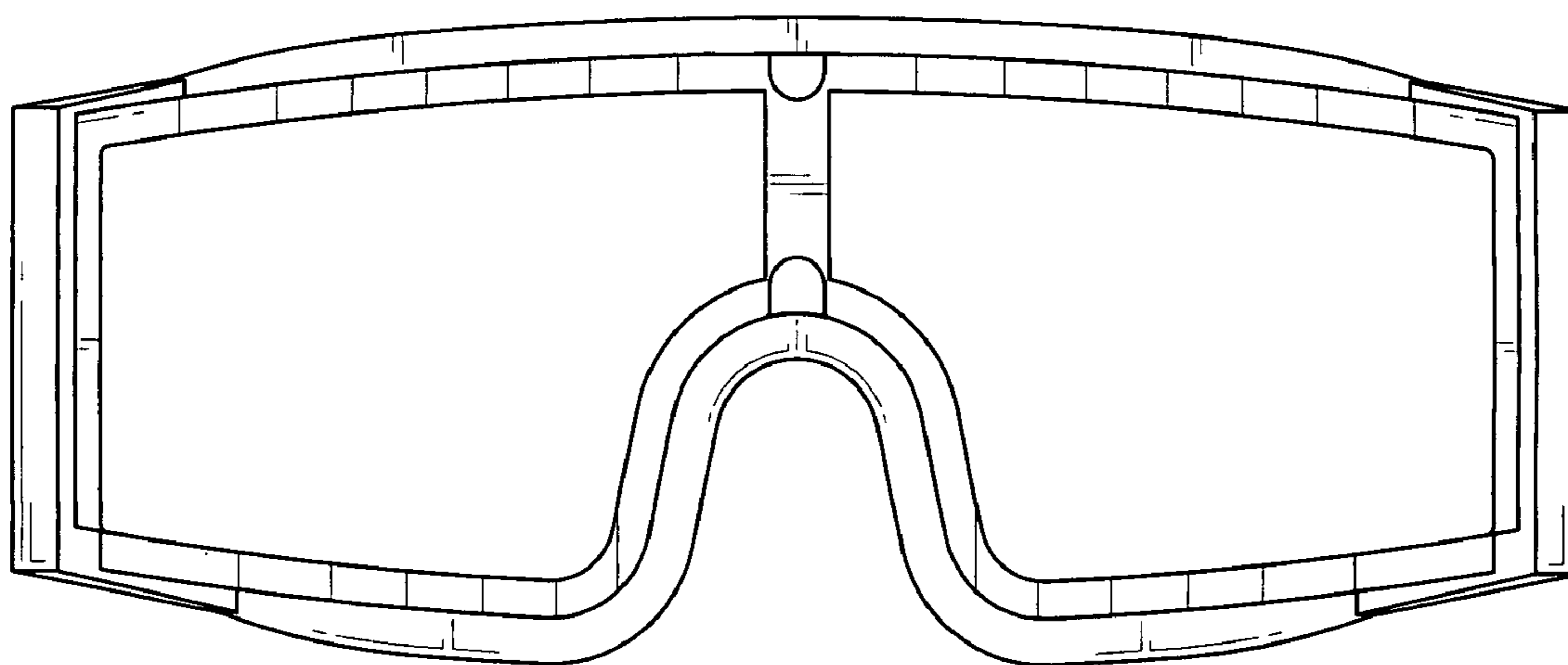


FIG. 2

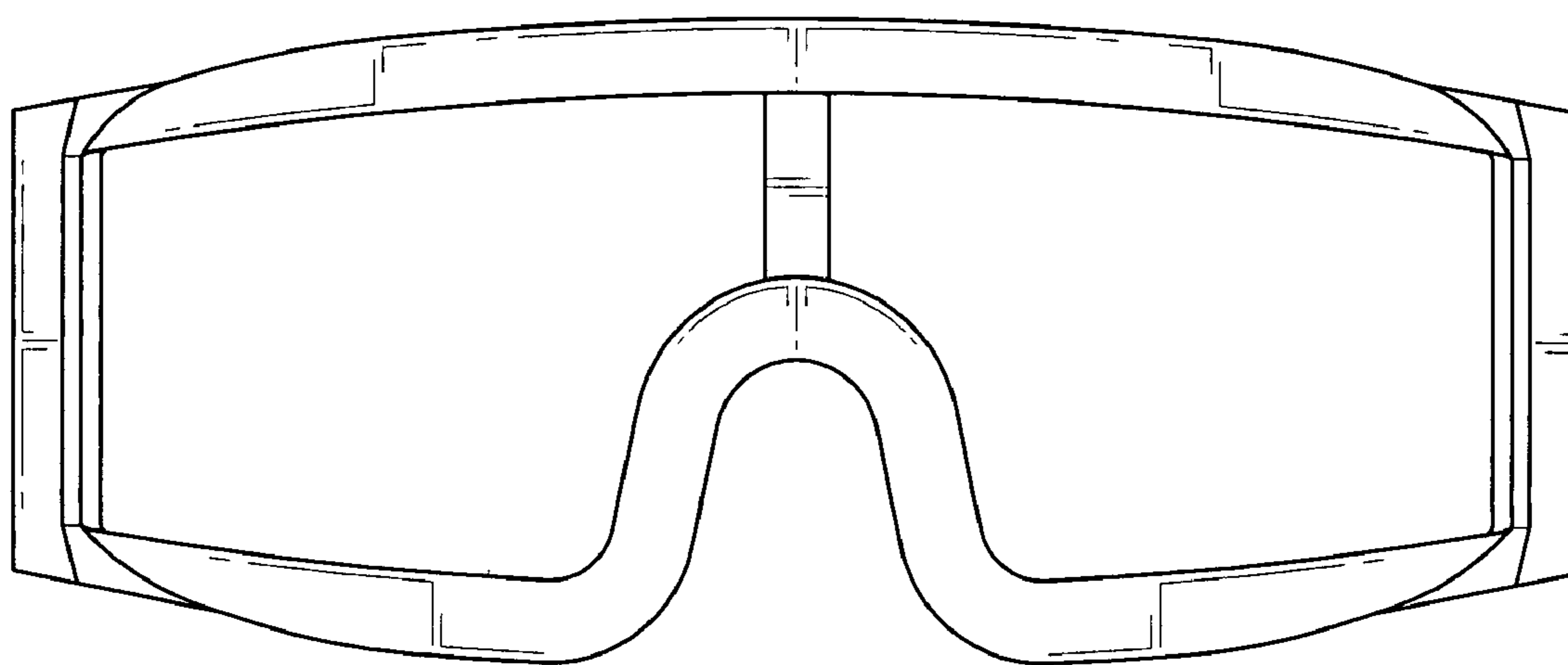


FIG. 3

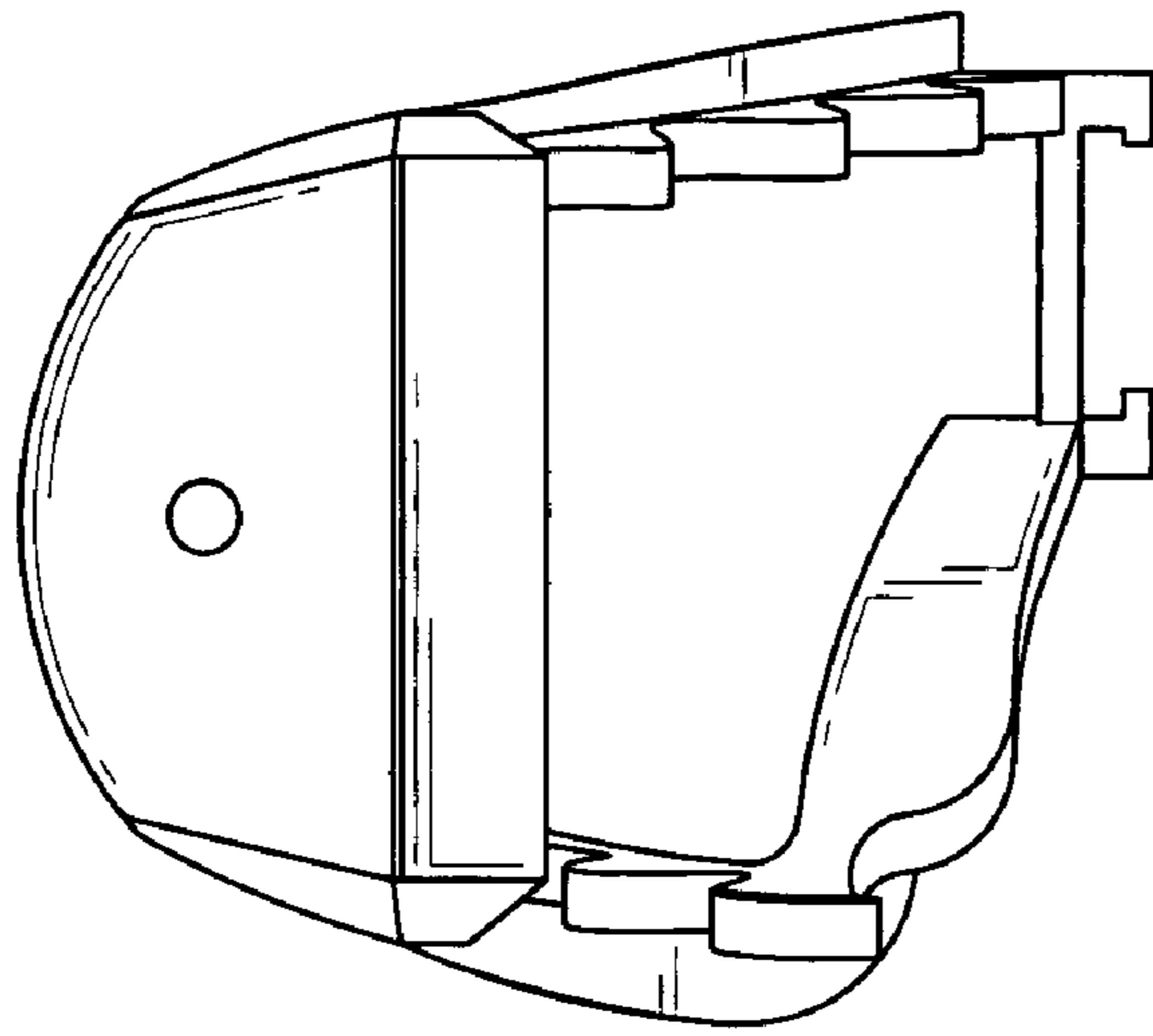


FIG. 4

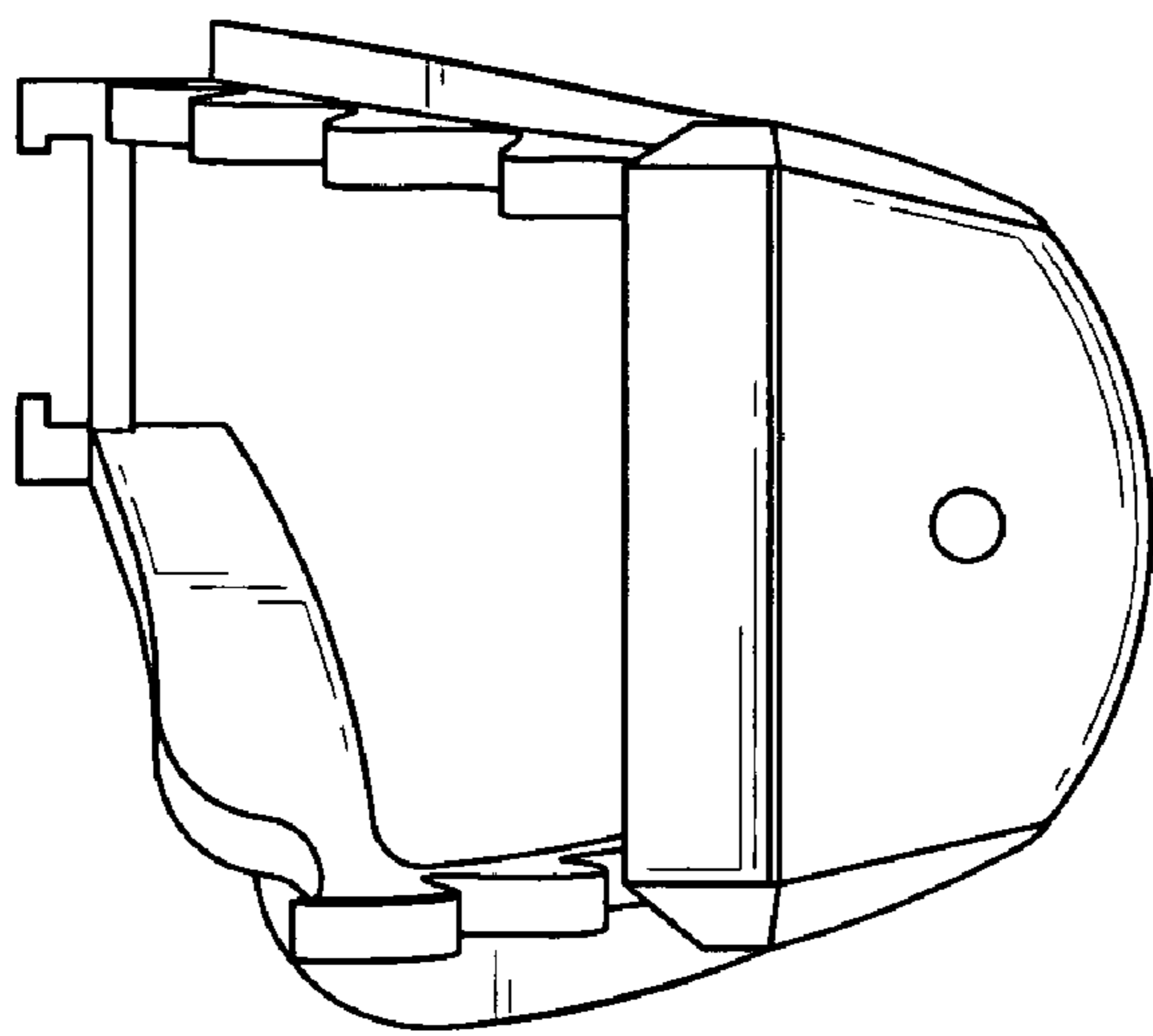


FIG. 5

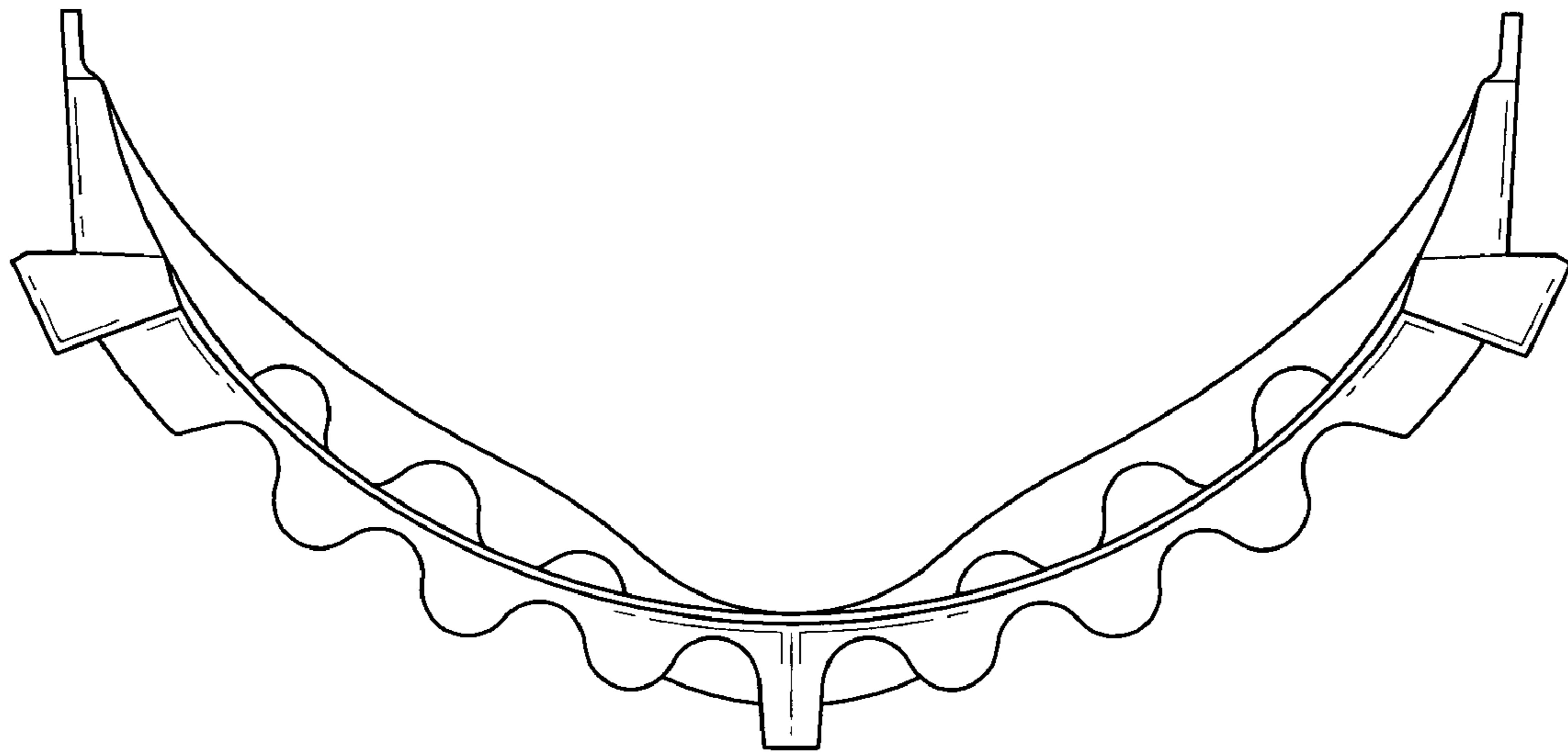


FIG. 6

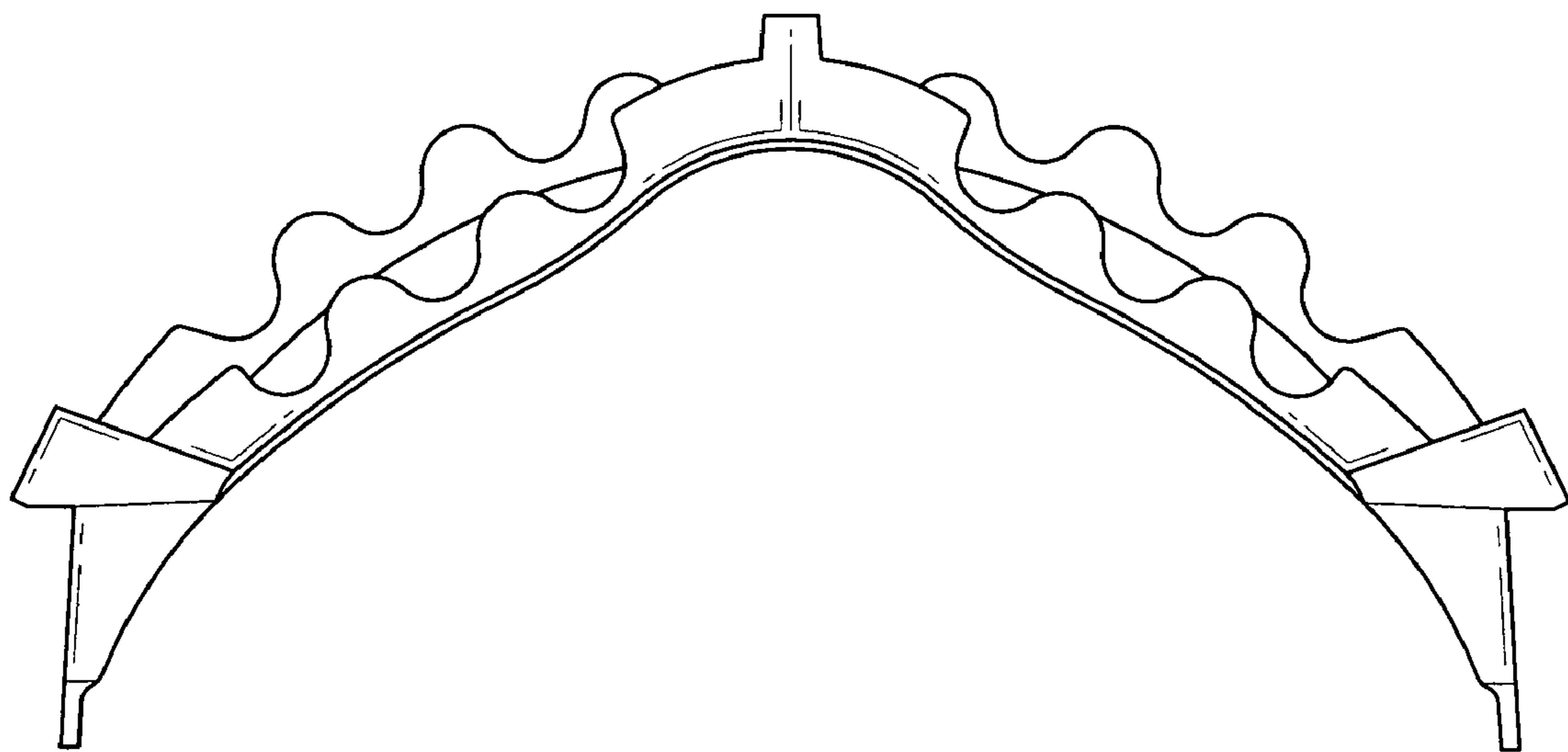


FIG. 7

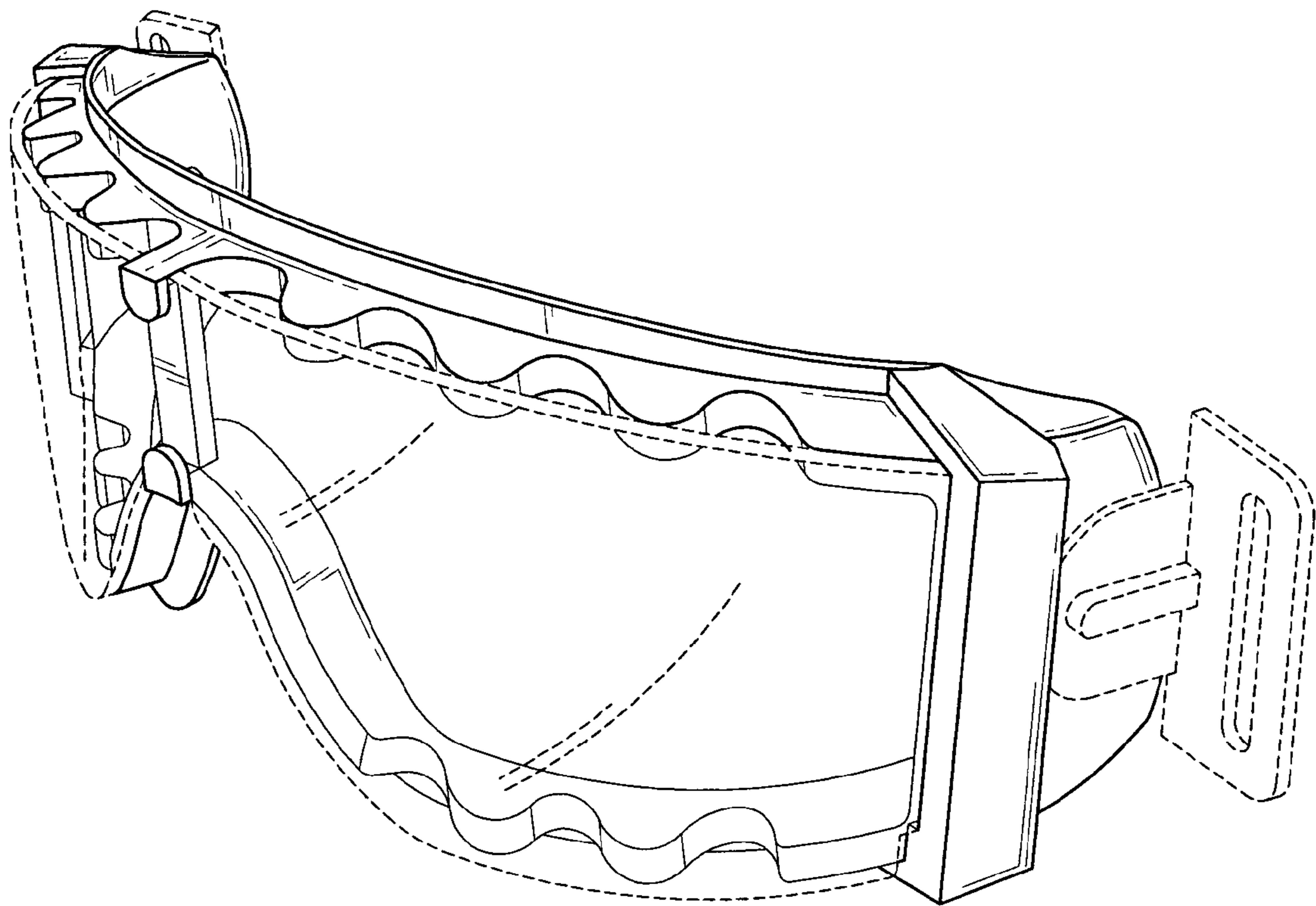


FIG. 8