



US00D554683S

(12) **United States Design Patent**  
**Jones et al.**

(10) **Patent No.:** **US D554,683 S**  
(45) **Date of Patent:** **\*\* Nov. 6, 2007**

(54) **CAMERA WITH ROTATING LENS AND CLIP**

(75) Inventors: **Chris Jones**, San Francisco, CA (US);  
**Mark Martinez**, San Francisco, CA  
(US); **Kenneth Ling**, San Francisco,  
CA (US)

(73) Assignee: **Logitech Europe S.A.** (CH)

(\*\*) Term: **14 Years**

(21) Appl. No.: **29/255,999**

(22) Filed: **Mar. 13, 2006**

(51) **LOC (8) Cl.** ..... **16-01**

(52) **U.S. Cl.** ..... **D16/208; D16/218**

(58) **Field of Classification Search** ..... D16/200–206,  
D16/208, 218, 213, 217, 212, 243; D26/37–50;  
D3/219, 215, 249, 263, 267; 348/373–376,  
348/368; 396/419, 423, 429, 535–541; 224/666–670  
See application file for complete search history.

(56) **References Cited**

**U.S. PATENT DOCUMENTS**

- D258,444 S \* 3/1981 Mineshima ..... D16/218
- D349,110 S \* 7/1994 Ohno ..... D16/202
- D378,095 S \* 2/1997 Hasegawa ..... D16/203
- D383,475 S 9/1997 Yamauchi et al.
- D392,299 S 3/1998 Lin
- D430,587 S 9/2000 Summit
- D433,432 S 11/2000 Prather et al.
- D440,244 S 4/2001 Prather et al.
- D442,202 S 5/2001 Pfeifer et al.
- D446,538 S 8/2001 Prather et al.
- D454,900 S 3/2002 Tsang et al.
- D454,902 S \* 3/2002 Hsu et al. .... D16/218
- D455,164 S 4/2002 Tsang et al.
- D455,165 S 4/2002 Tsang et al.
- D455,767 S 4/2002 Tsang et al.
- D455,768 S 4/2002 Tsang et al.
- D460,475 S 7/2002 Backs et al.
- D463,813 S 10/2002 Tsang

- D468,336 S 1/2003 Kampf et al.
- D470,521 S 2/2003 Friedrichs et al.
- D470,522 S 2/2003 Friedrichs et al.
- D470,526 S 2/2003 Oliver et al.
- D470,527 S 2/2003 Oliver et al.
- D470,876 S 2/2003 Friedrichs et al.
- D478,922 S 8/2003 Han
- D480,098 S 9/2003 Bernoulli et al.
- D486,843 S \* 2/2004 Takahashi ..... D16/202
- D497,930 S 11/2004 Moayer et al.
- D502,720 S 3/2005 Egnoto et al.
- D506,215 S \* 6/2005 Lin et al. .... D16/218
- D507,007 S 7/2005 Sitoh et al.
- D511,352 S 11/2005 Oliver et al.
- D516,105 S 2/2006 Bradley et al.
- D528,576 S \* 9/2006 Chung et al. .... D16/202
- D533,887 S \* 12/2006 Logan et al. .... D16/208

\* cited by examiner

*Primary Examiner*—Ian Simmons

*Assistant Examiner*—Wan Laymon

(74) *Attorney, Agent, or Firm*—Townsend and Townsend  
and Crew LLP

(57) **CLAIM**

The ornamental design for a camera with rotating lens and clip, as shown and described.

**DESCRIPTION**

FIG. 1 is a perspective view of a camera with rotating lens and clip showing our new design;

FIG. 2 is a front elevational view thereof;

FIG. 3 is a rear elevational view thereof;

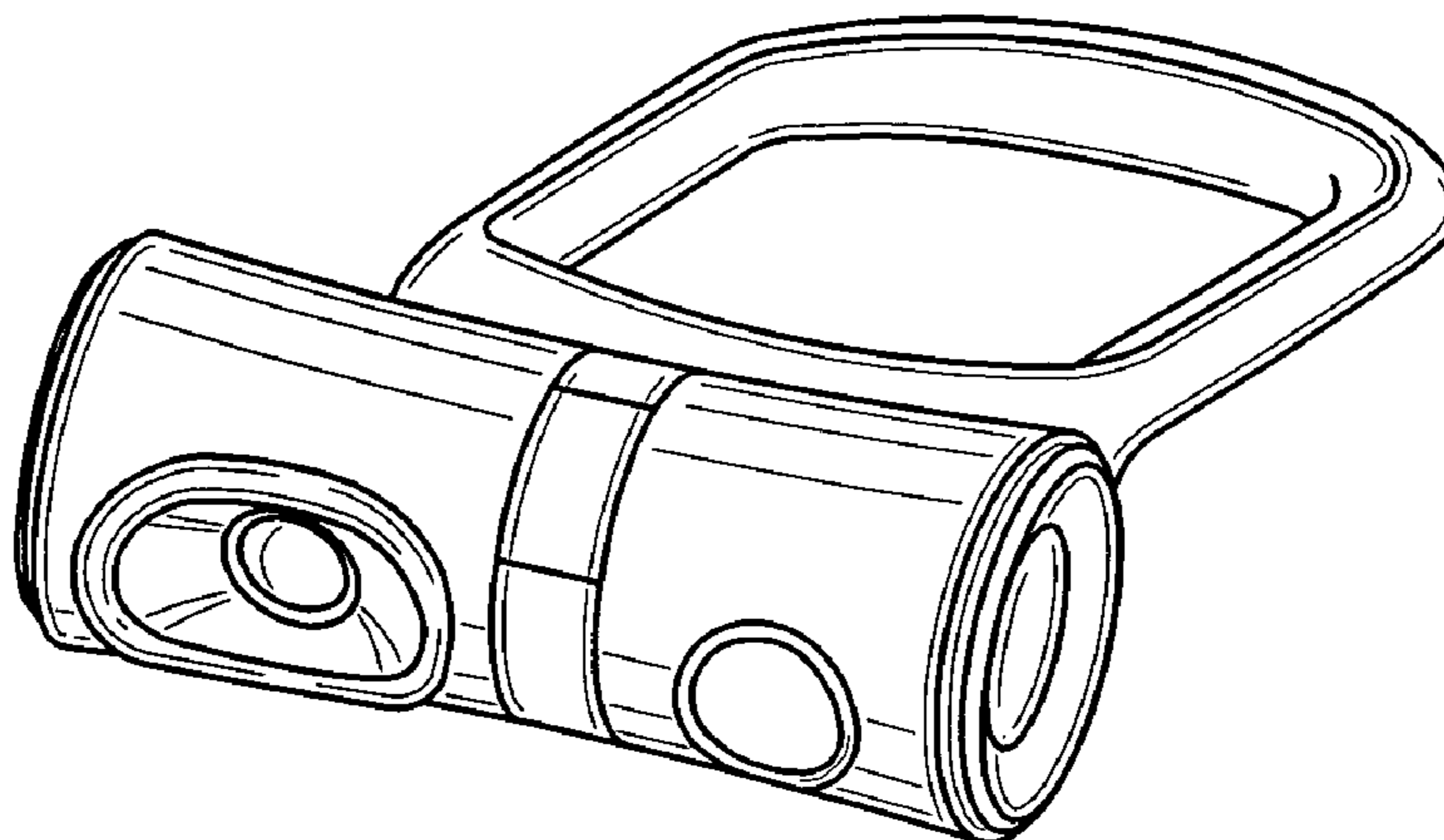
FIG. 4 is a top plan view thereof;

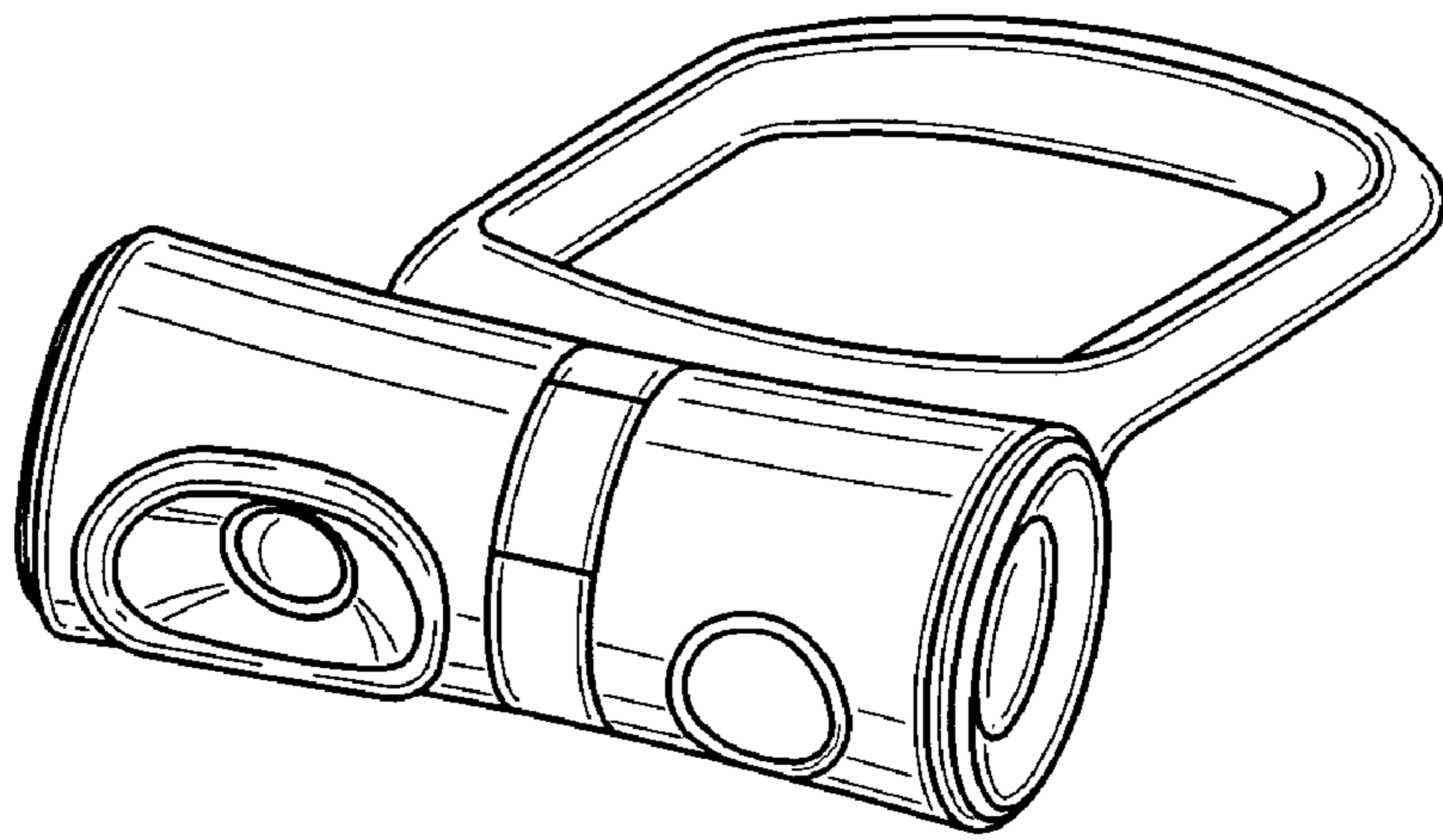
FIG. 5 is a right elevational view thereof;

FIG. 6 is a left elevational view thereof; and,

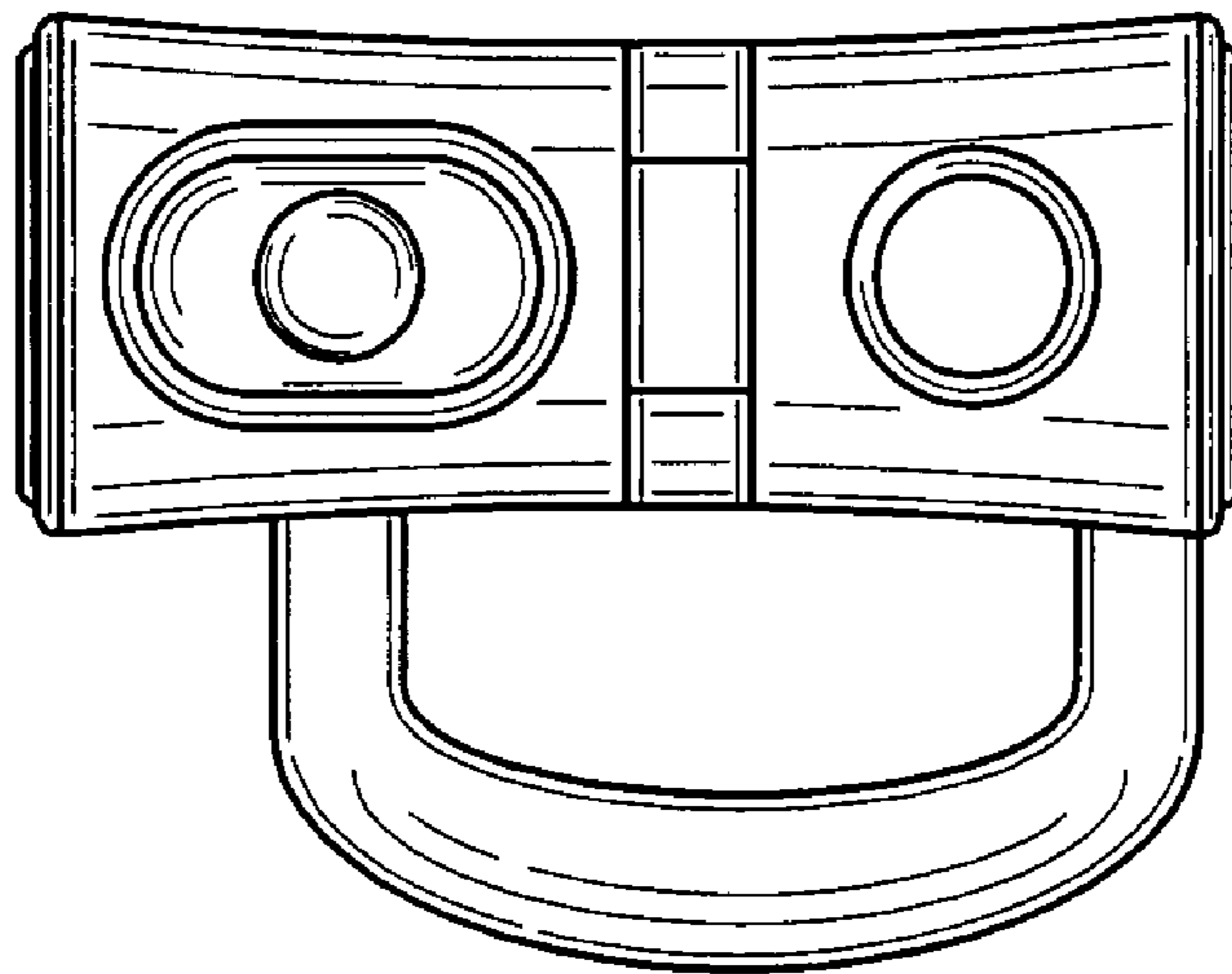
FIG. 7 is a bottom plan view thereof.

**1 Claim, 4 Drawing Sheets**

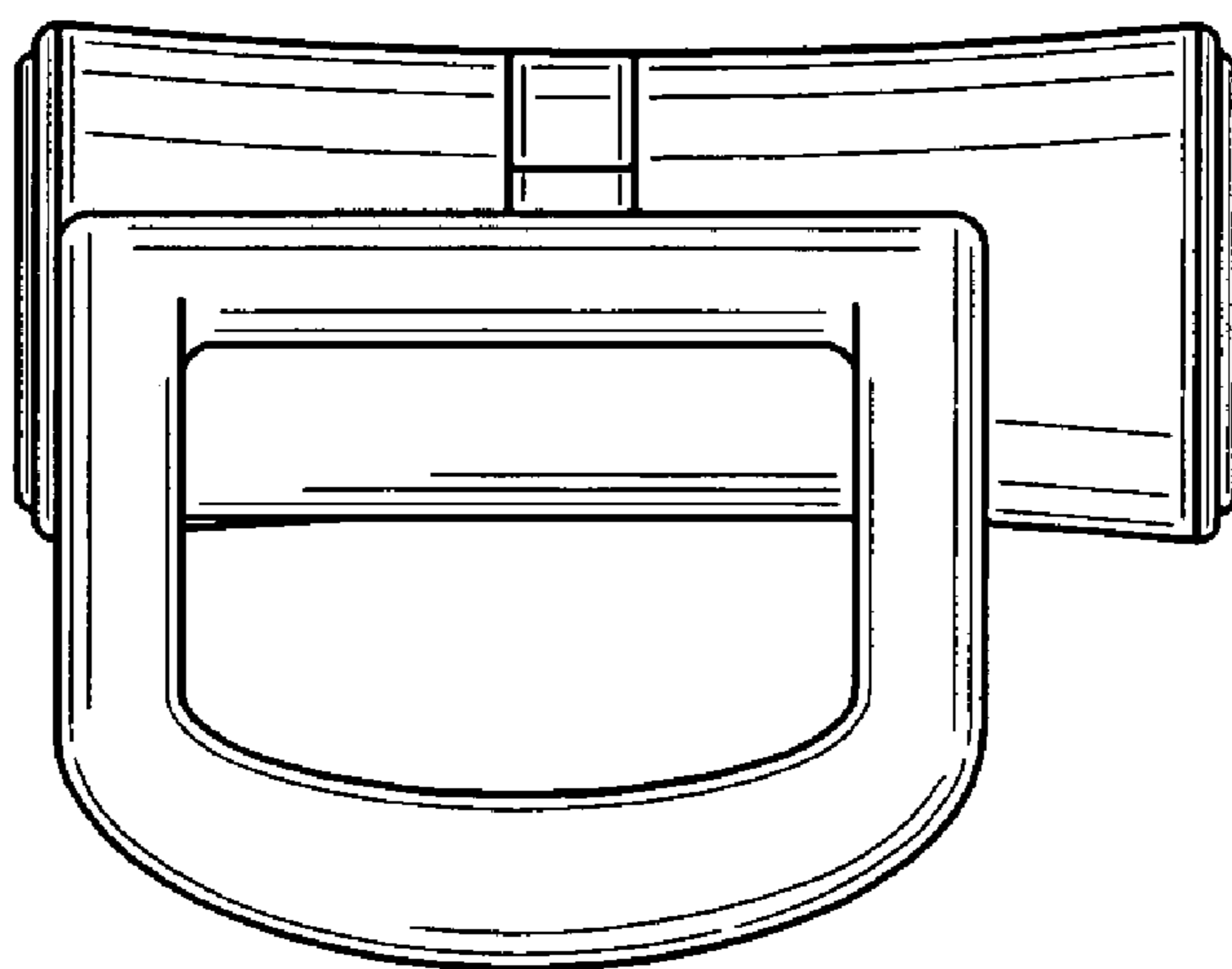




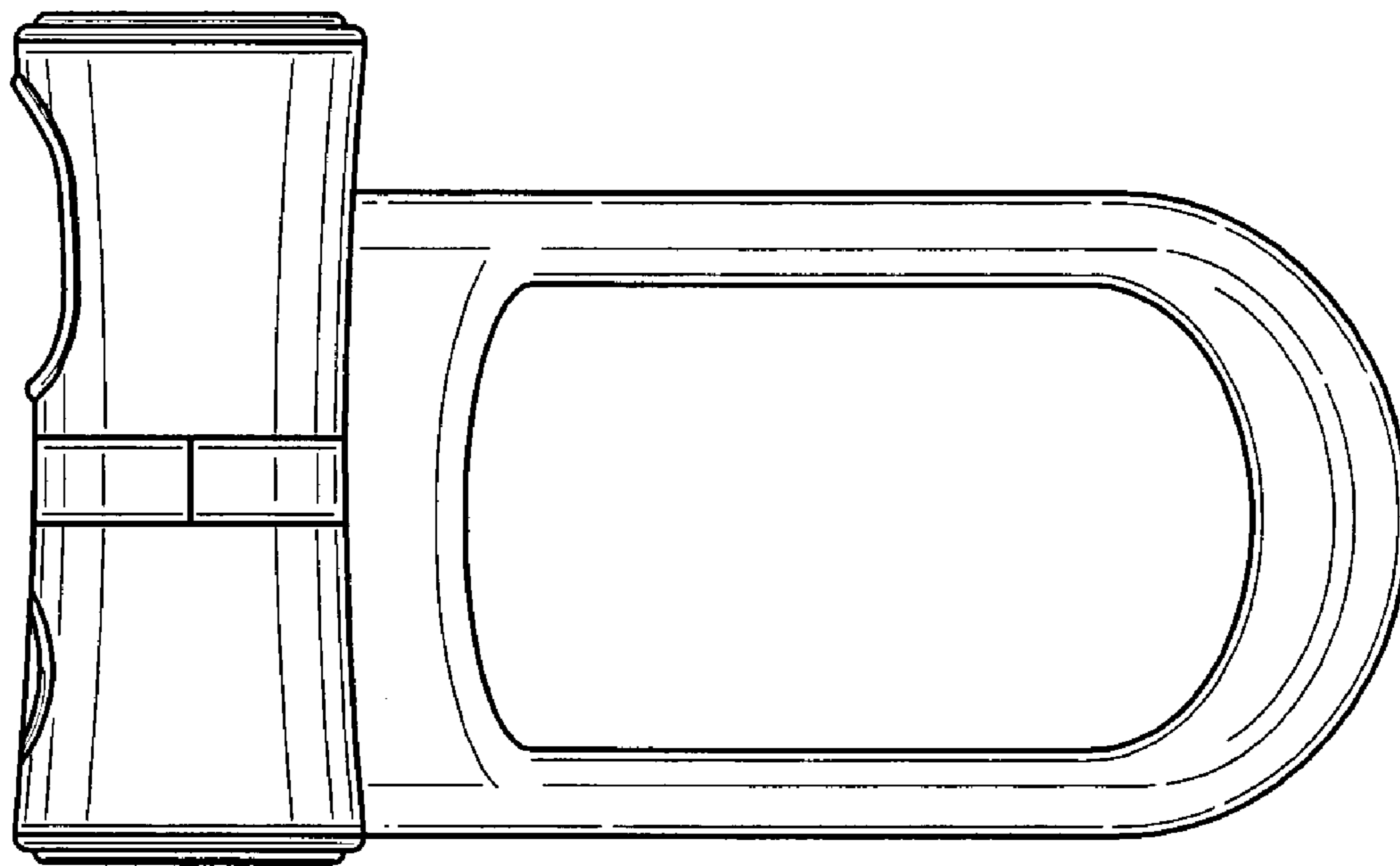
*FIG. 1*



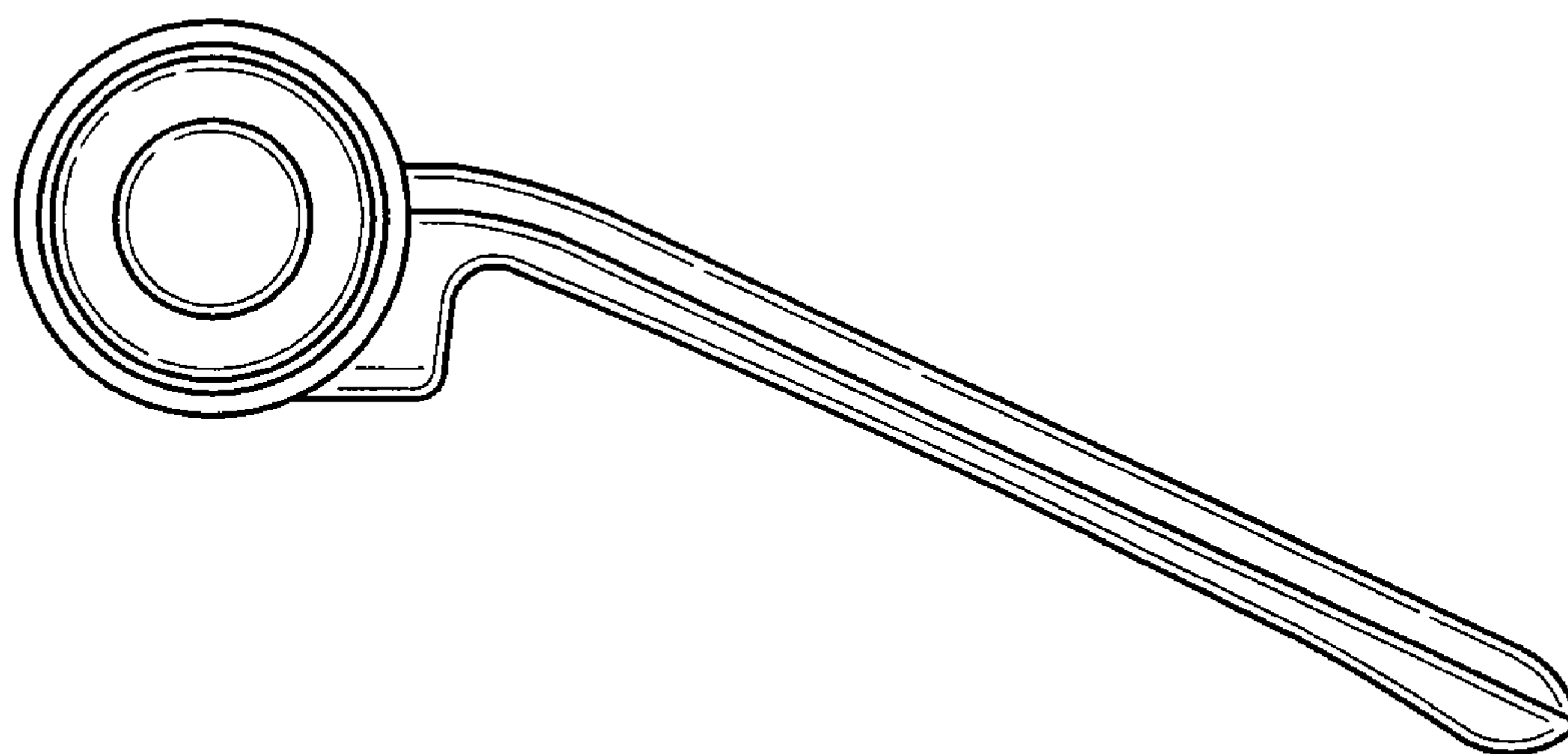
*FIG. 2*



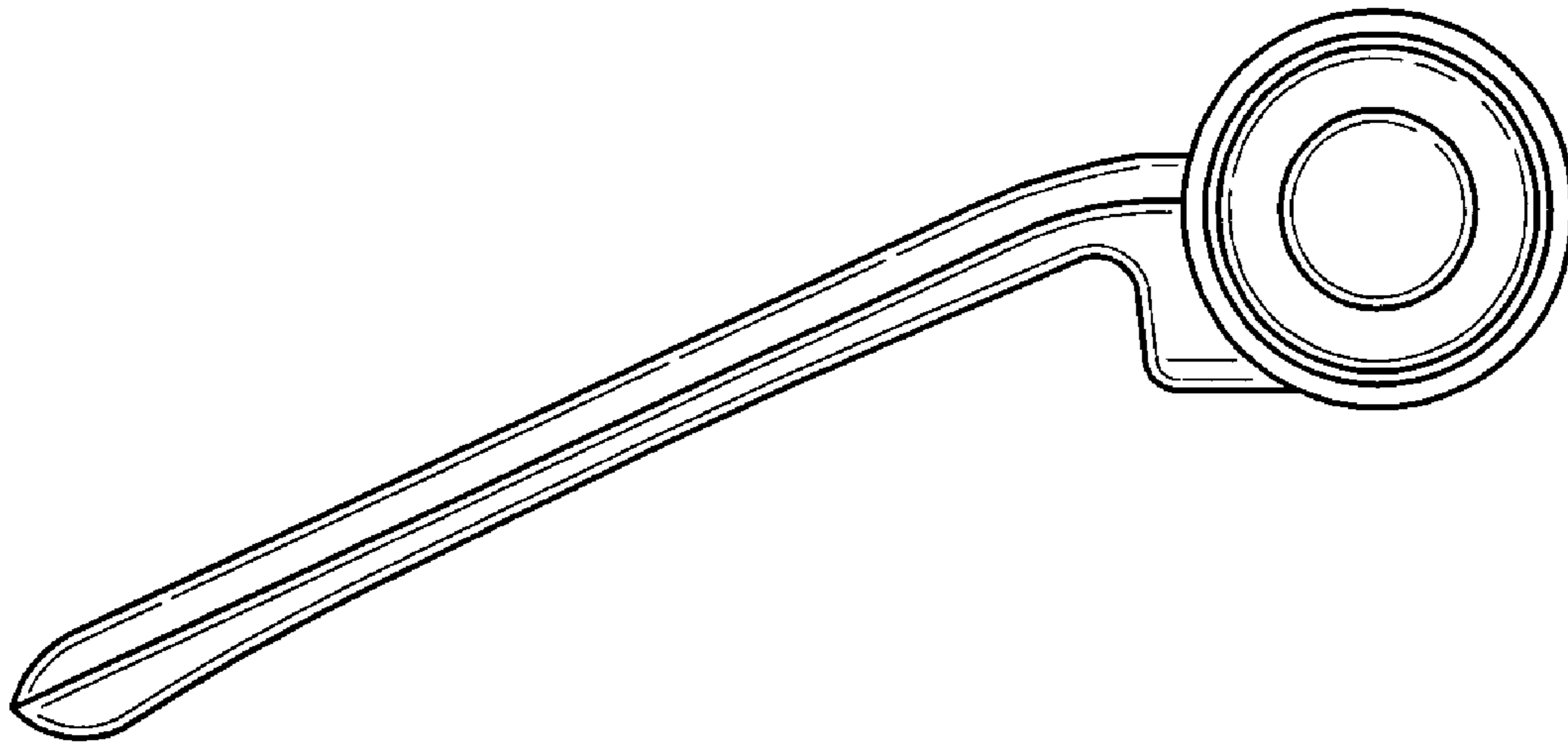
*FIG. 3*



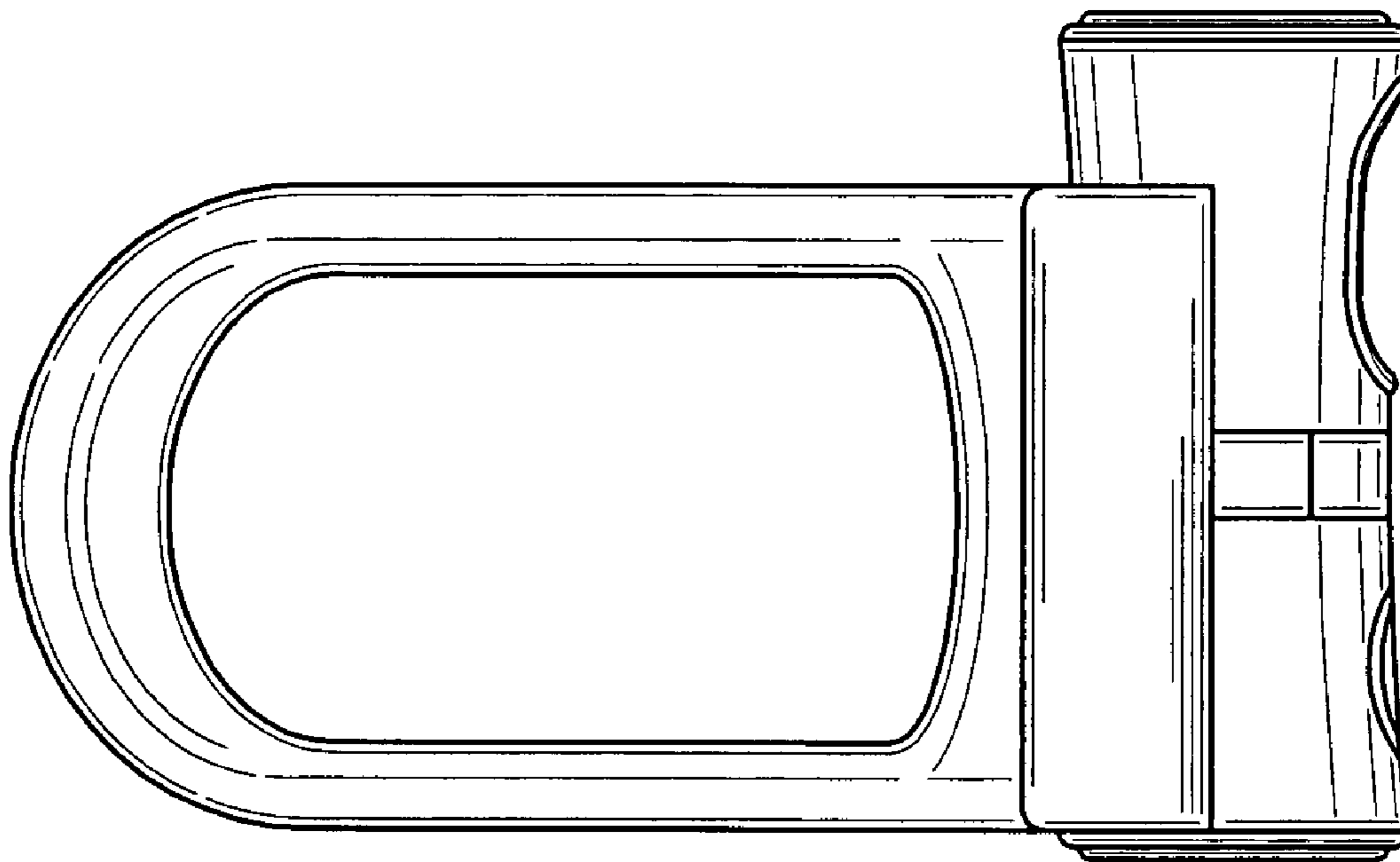
*FIG. 4*



*FIG. 5*



*FIG. 6*



*FIG. 7*