



US00D554682S

(12) **United States Design Patent**
Martinez et al.

(10) **Patent No.:** **US D554,682 S**

(45) **Date of Patent:** **** Nov. 6, 2007**

(54) **WEBCAM WITH A USER-CONFIGURABLE SHELL**

D511,352 S * 11/2005 Oliver et al. D16/203
D532,809 S * 11/2006 Shih D16/218

(75) Inventors: **Mark Martinez**, San Francisco, CA (US); **Martin Wang**, Hsinchu (TW); **Ivan Liu**, Miaoli County (TW); **Glen Kuo**, Los Altos, CA (US); **Brian Stephens**, County Dublin (IE)

* cited by examiner

Primary Examiner—Adir Aronovich
(74) *Attorney, Agent, or Firm*—Townsend and Townsend and Crew LLP

(73) Assignee: **Logitech Europe S.A.** (CH)

(57) **CLAIM**

(**) Term: **14 Years**

The ornamental design for webcam with a user-configurable shell, as shown and described.

(21) Appl. No.: **29/239,674**

(22) Filed: **Sep. 30, 2005**

DESCRIPTION

(51) **LOC (8) Cl.** **16-01**

(52) **U.S. Cl.** **D16/203**

(58) **Field of Classification Search** D16/200–204,
D16/208, 218, 225; 348/143, 373, 374–376;
396/427, 535, 536–541

See application file for complete search history.

FIG. 1 is a perspective view of a webcam with a user-configurable shell showing our new design;
FIG. 2 is an exploded perspective view thereof;
FIG. 3 is a front elevational view thereof;
FIG. 4 is a rear elevational view thereof;
FIG. 5 is a left elevational view thereof;
FIG. 6 is a right elevational view thereof;
FIG. 7 is a top plan view thereof; and,
FIG. 8 is a bottom plan view thereof.

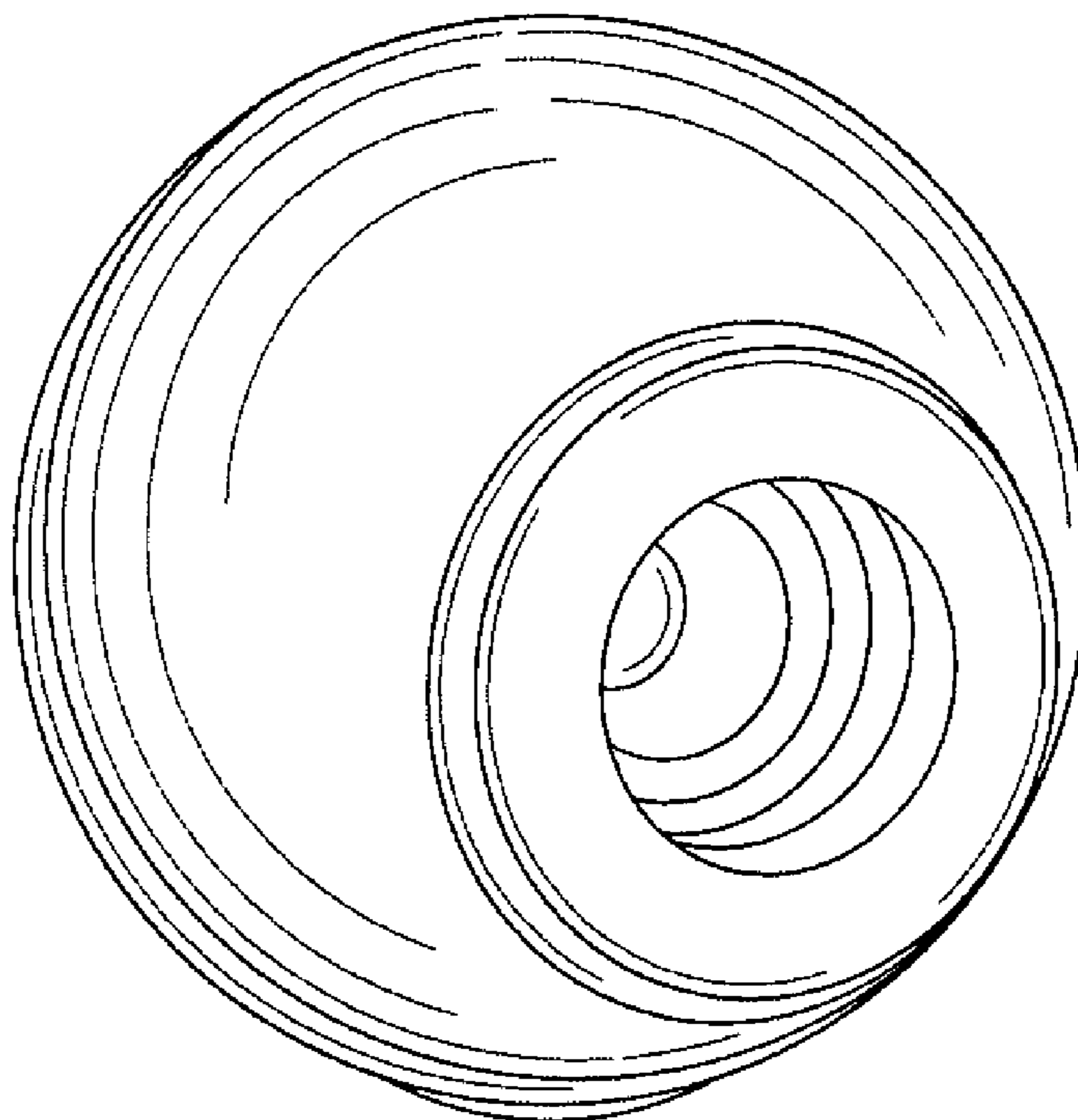
(56) **References Cited**

U.S. PATENT DOCUMENTS

D349,911 S * 8/1994 Shimizu et al. D16/203
D395,056 S * 6/1998 Delaey D16/203
D395,715 S * 6/1998 Queen D16/203
D453,350 S * 2/2002 Fenton et al. D16/203
D485,853 S * 1/2004 Daniels D16/203
D491,972 S * 6/2004 Heath D16/225

The broken line showing of a cord is included for the purpose of illustrating only and forms no part of the claimed design.

1 Claim, 4 Drawing Sheets



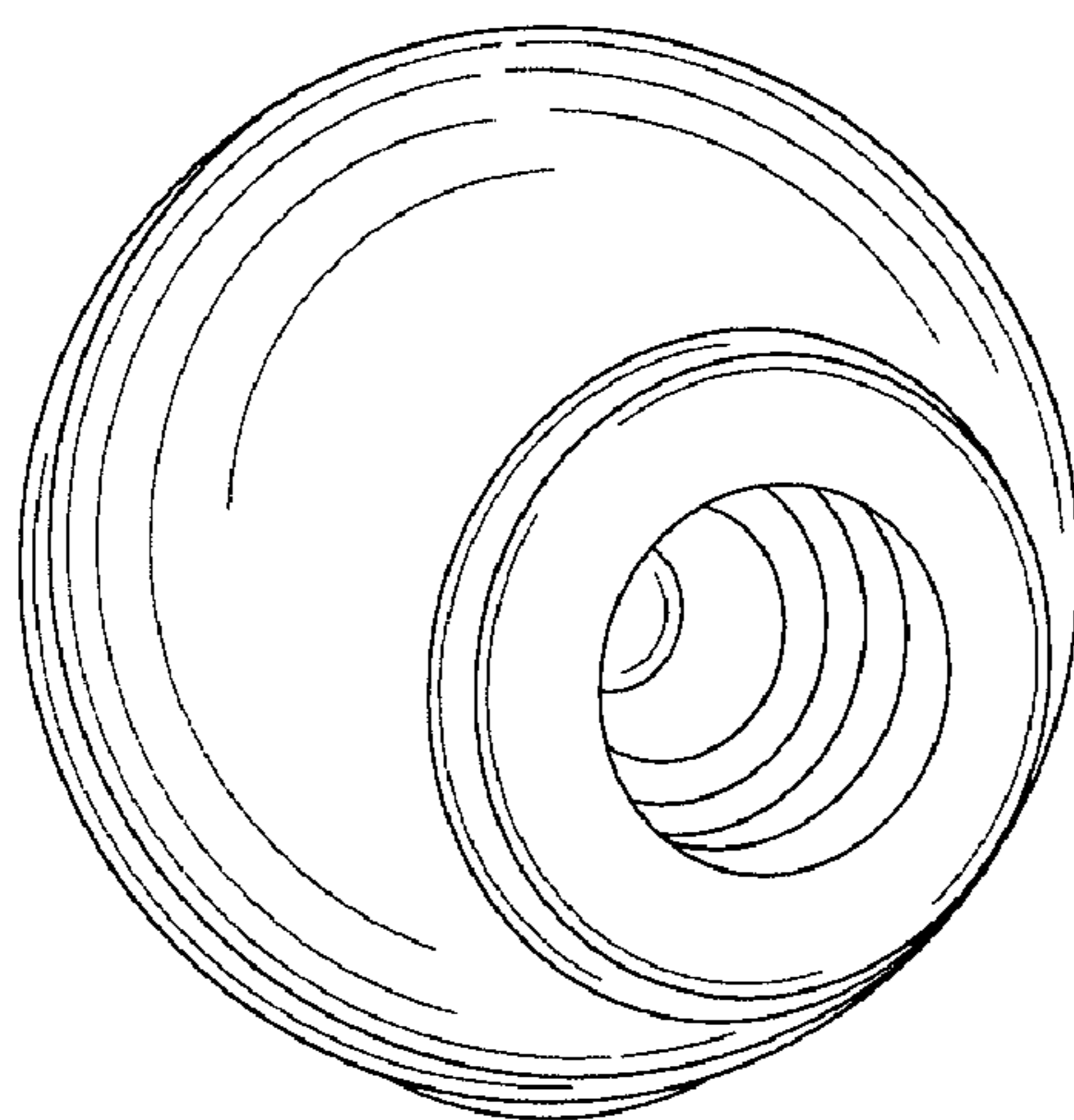


FIG. 1

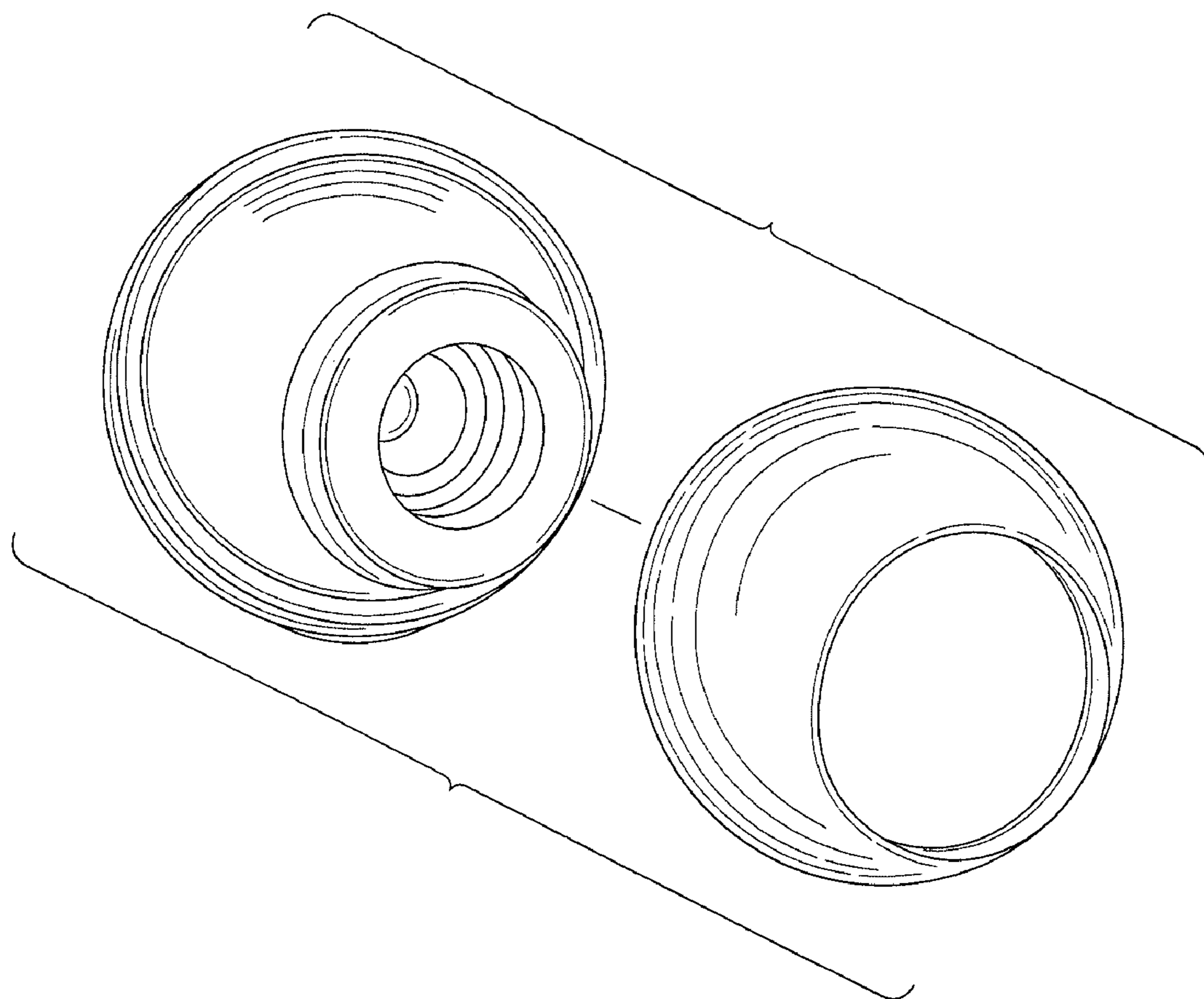


FIG. 2

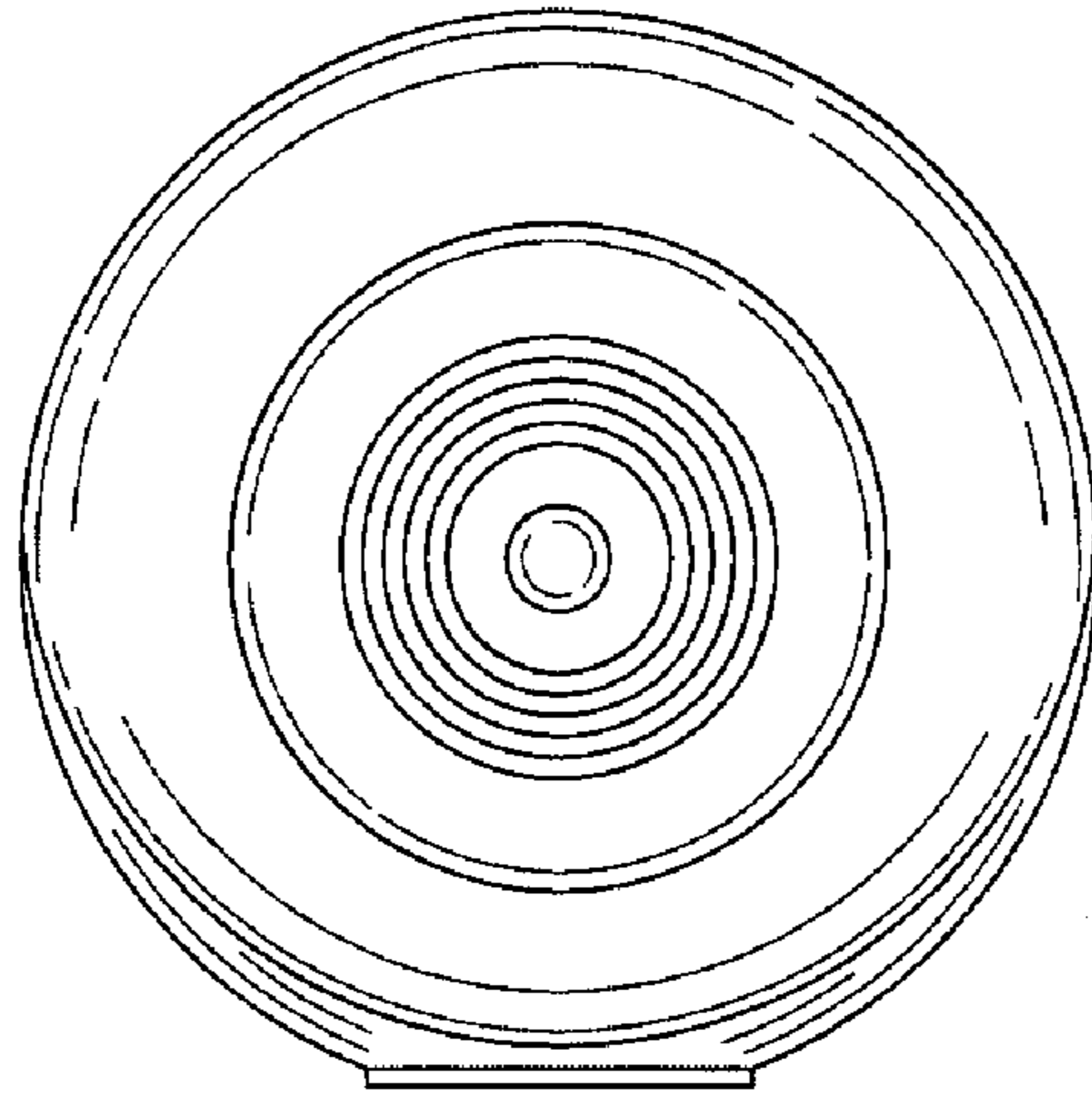


FIG. 3

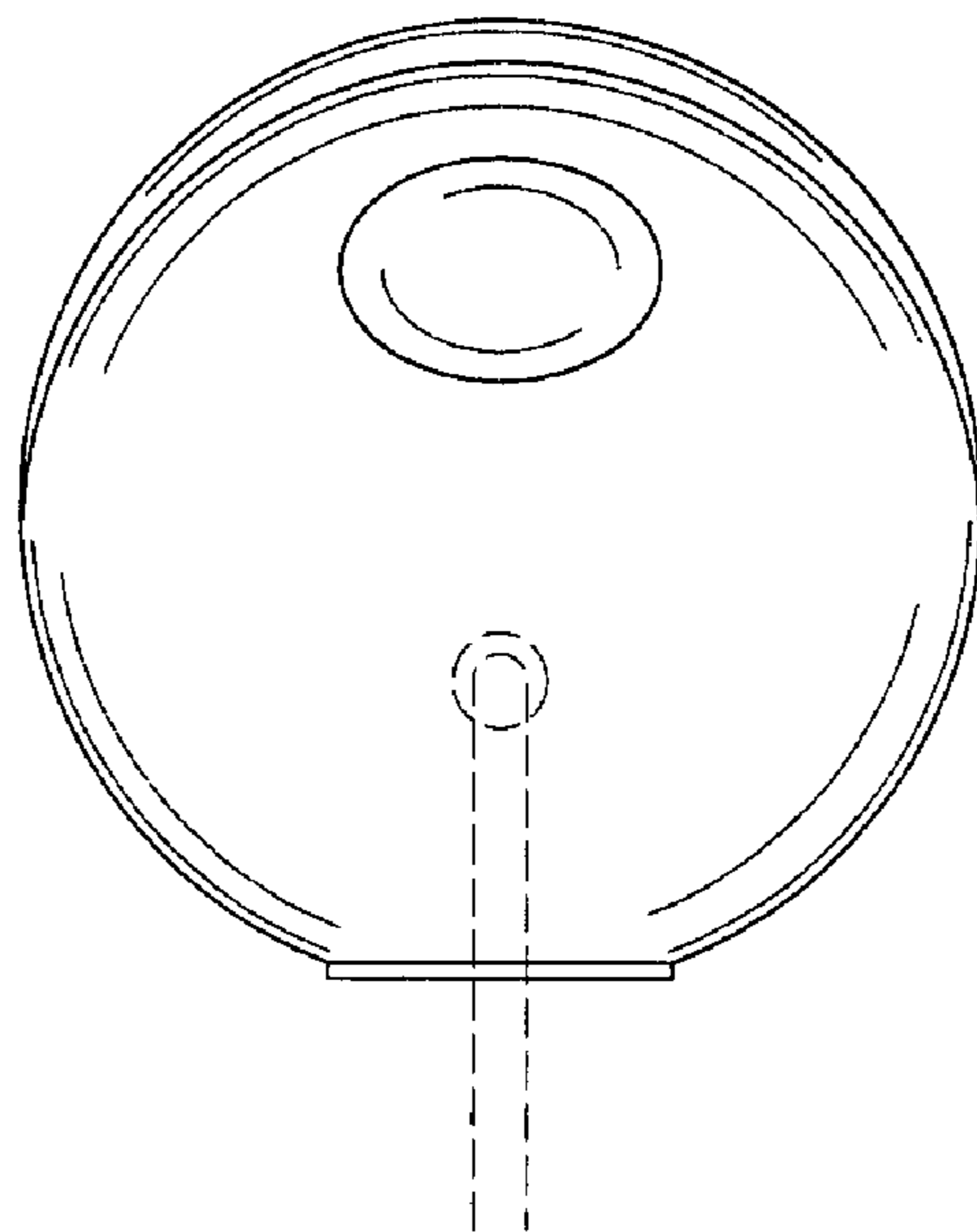


FIG. 4

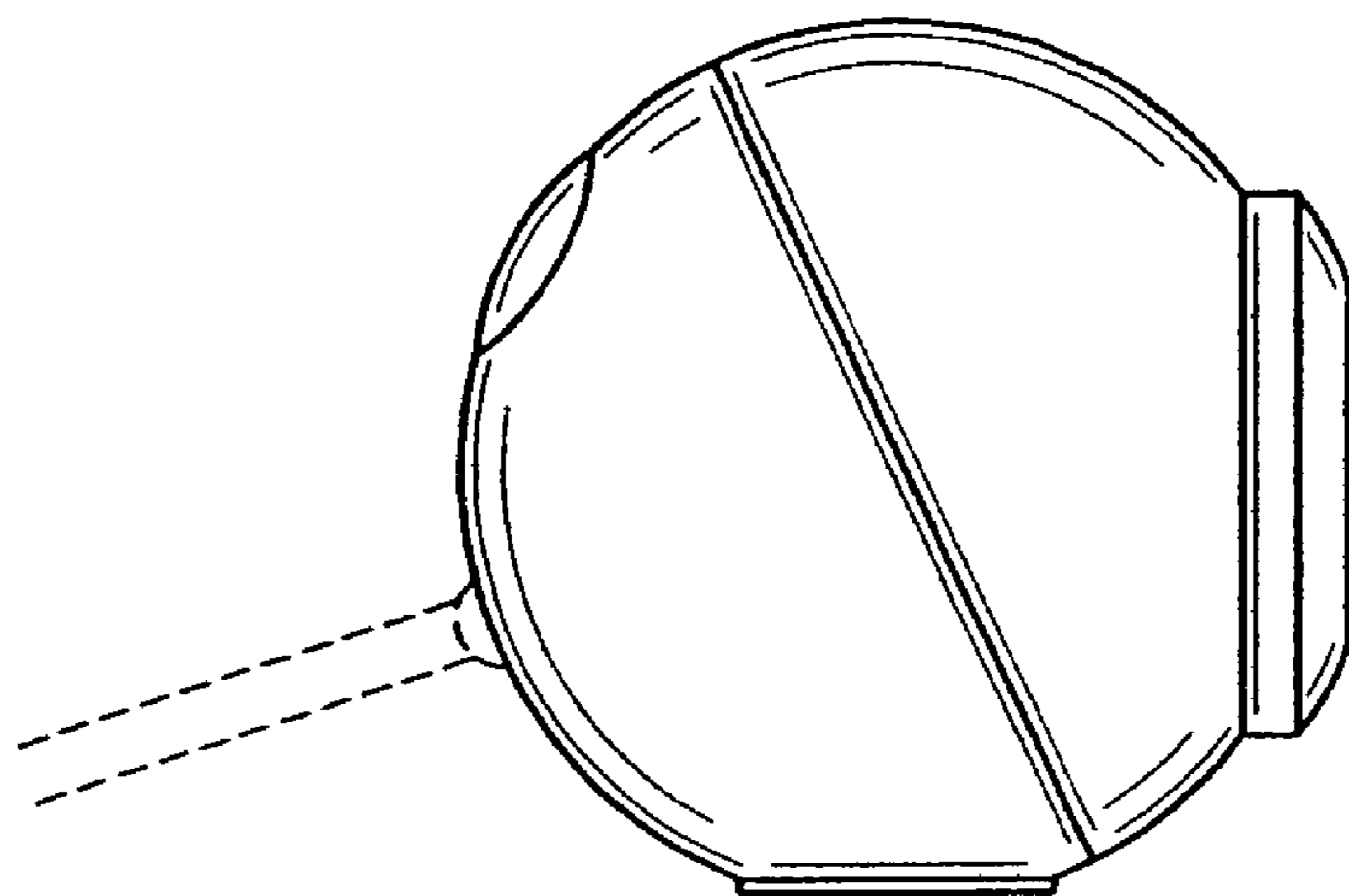


FIG. 5

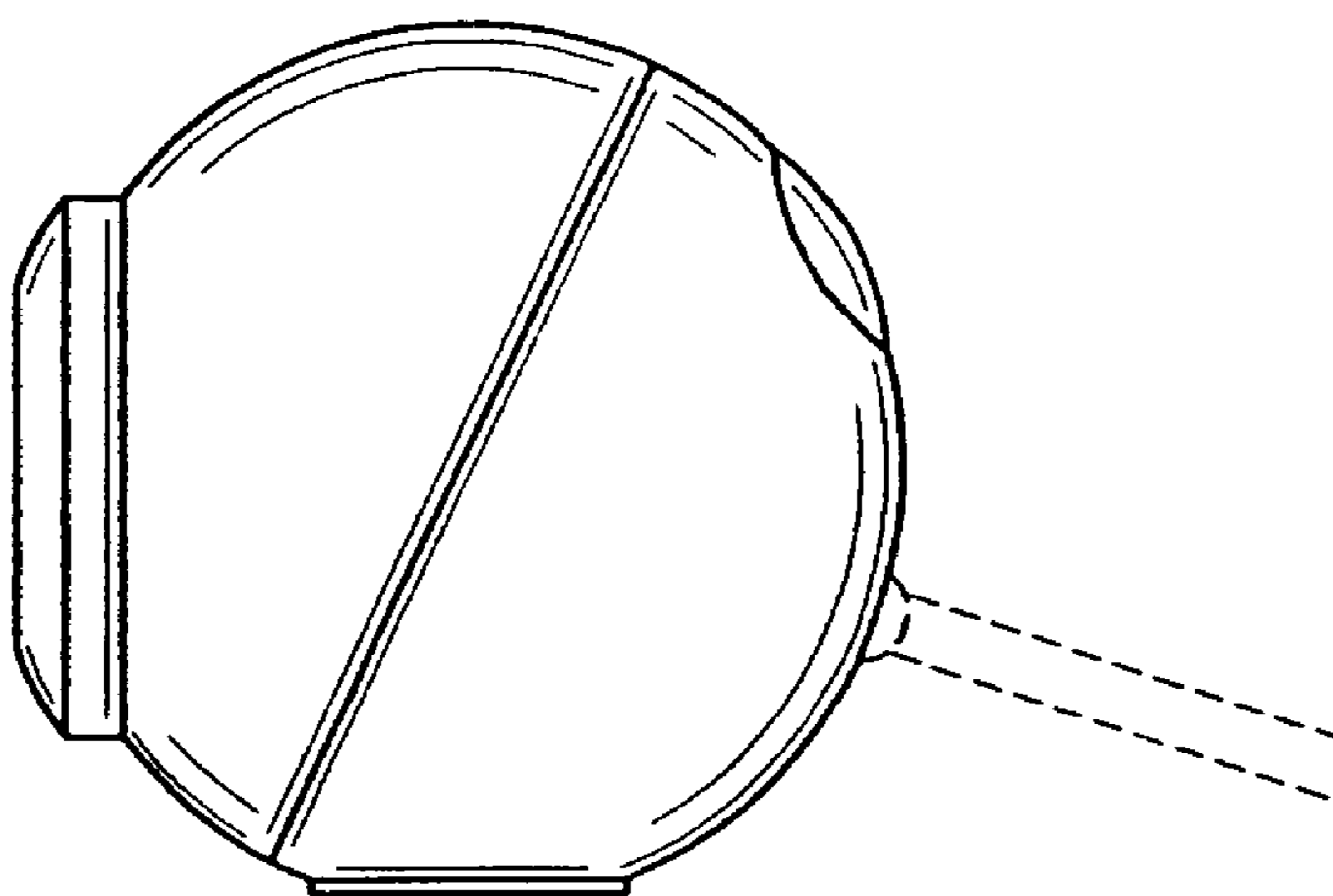


FIG. 6

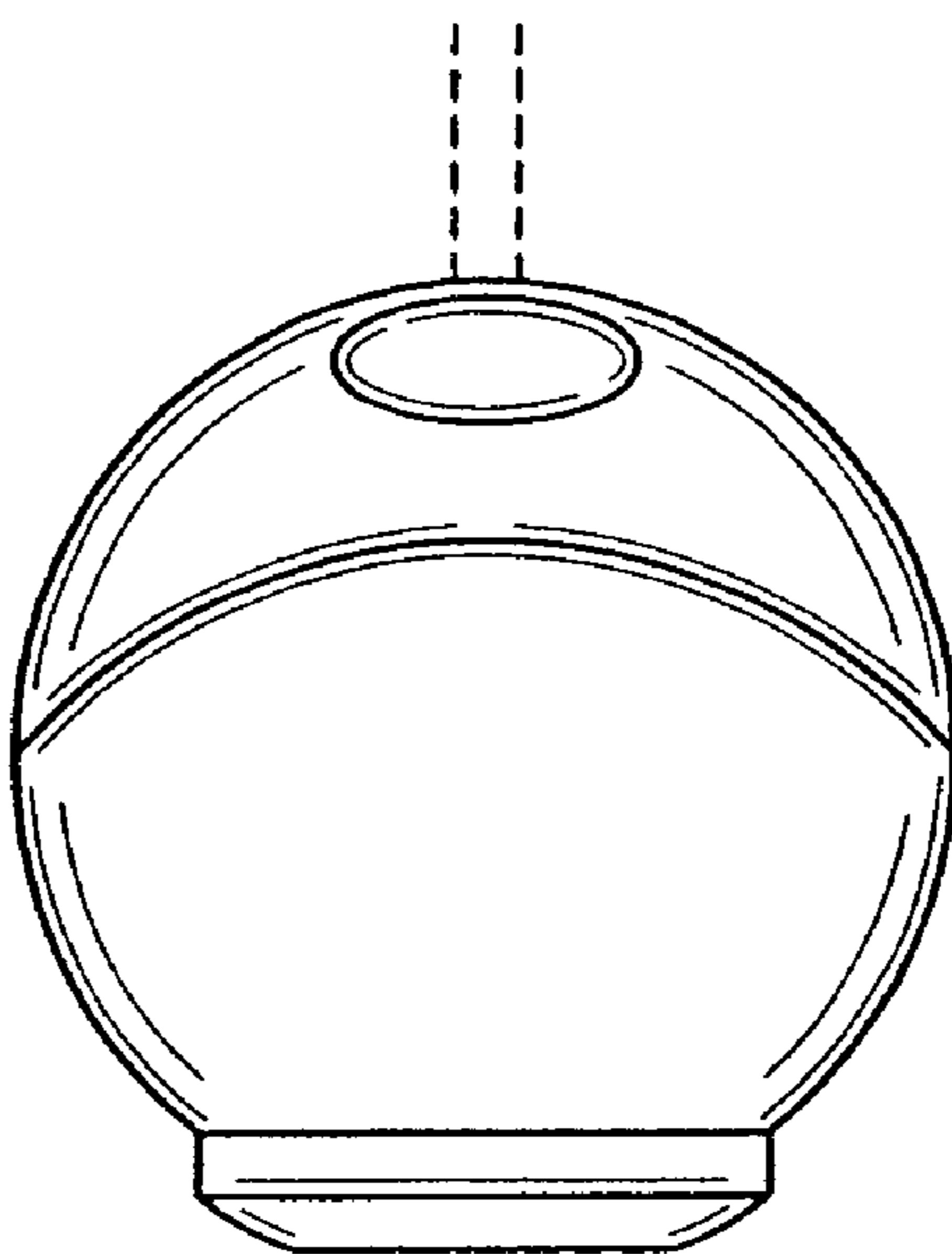


FIG. 7

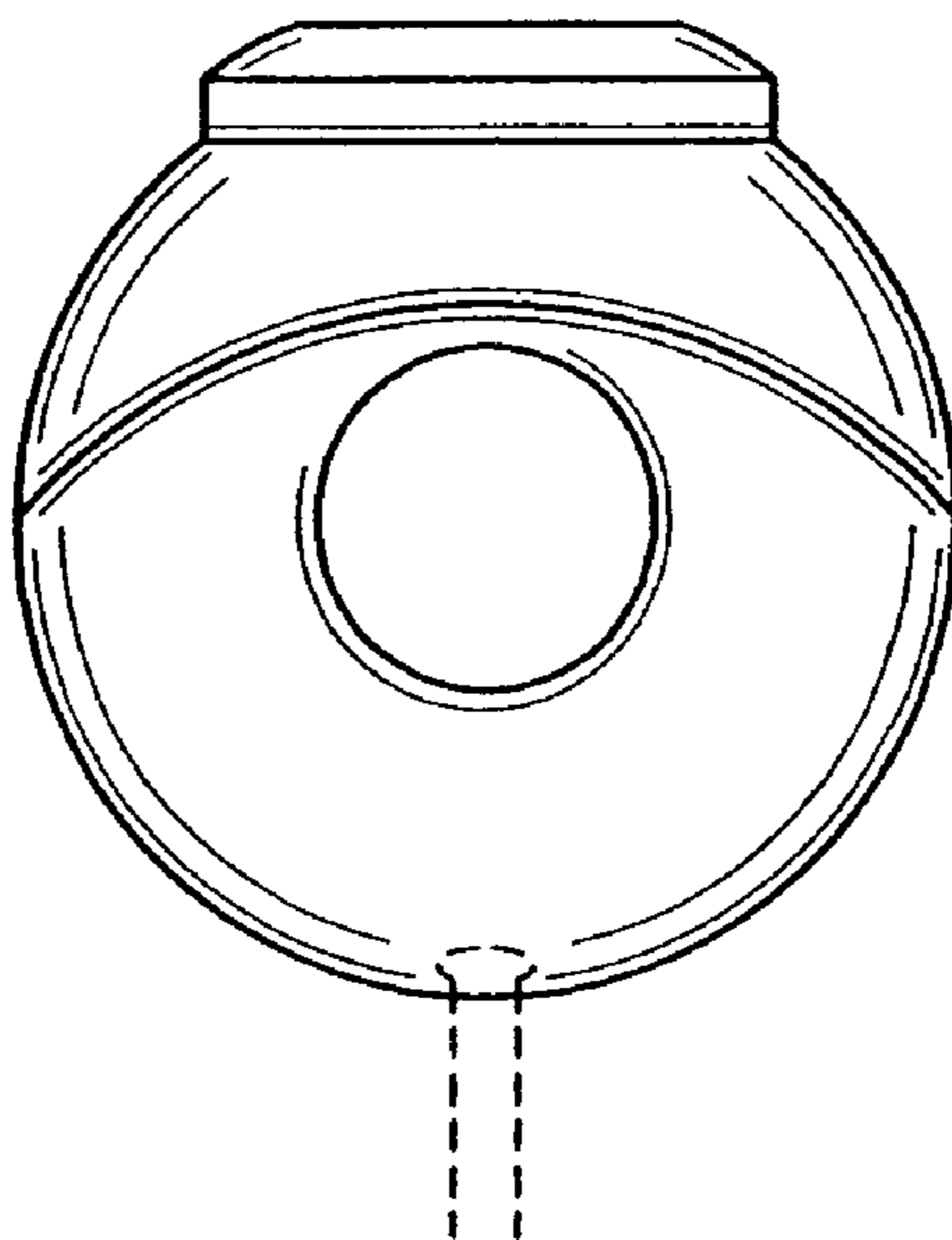


FIG. 8