



US00D554681S

(12) **United States Design Patent**
Ogino et al.

(10) **Patent No.:** **US D554,681 S**

(45) **Date of Patent:** **** Nov. 6, 2007**

(54) **DIGITAL CAMERA**

(75) Inventors: **Masaki Ogino**, Tokyo (JP); **Yosuke Nagayama**, Tokyo (JP)

(73) Assignee: **Casio Keisanki Kabushiki Kaisha**, Tokyo (JP)

(**) Term: **14 Years**

(21) Appl. No.: **29/260,366**

(22) Filed: **May 24, 2006**

(51) **LOC (8) Cl.** **16-01**

(52) **U.S. Cl.** **D16/202; D16/218**

(58) **Field of Classification Search** D16/200–205,
D16/208, 212, 218; 348/373–376; 358/909.1;
396/349, 448, 535–541

See application file for complete search history.

(56) **References Cited**

U.S. PATENT DOCUMENTS

- 4,557,574 A * 12/1985 Kohno et al. 396/448
- D444,489 S * 7/2001 Suto et al. D16/218
- D503,182 S * 3/2005 Ogura D16/202

- D508,708 S * 8/2005 Ogura D16/202
- D516,601 S * 3/2006 Ishii D16/218
- D522,553 S * 6/2006 Yoo D16/202

* cited by examiner

Primary Examiner—Adir Aronovich

(74) *Attorney, Agent, or Firm*—Frishauf, Holtz, Goodman & Chick, P.C.

(57) **CLAIM**

The ornamental design for a digital camera, as shown.

DESCRIPTION

FIG. 1 is a front, left side, top perspective view of a digital camera showing our new design;

FIG. 2 is a front elevational view thereof;

FIG. 3 is a rear elevational view thereof;

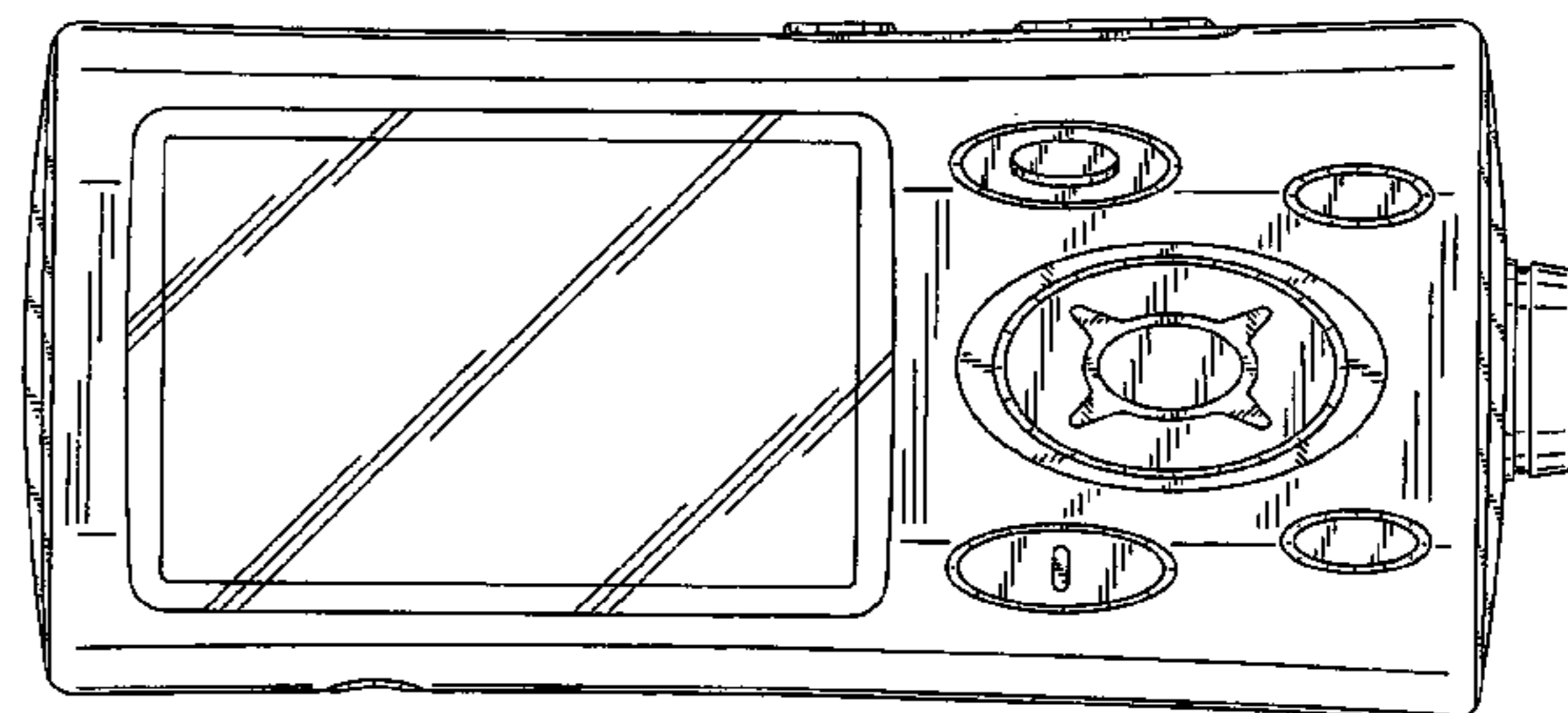
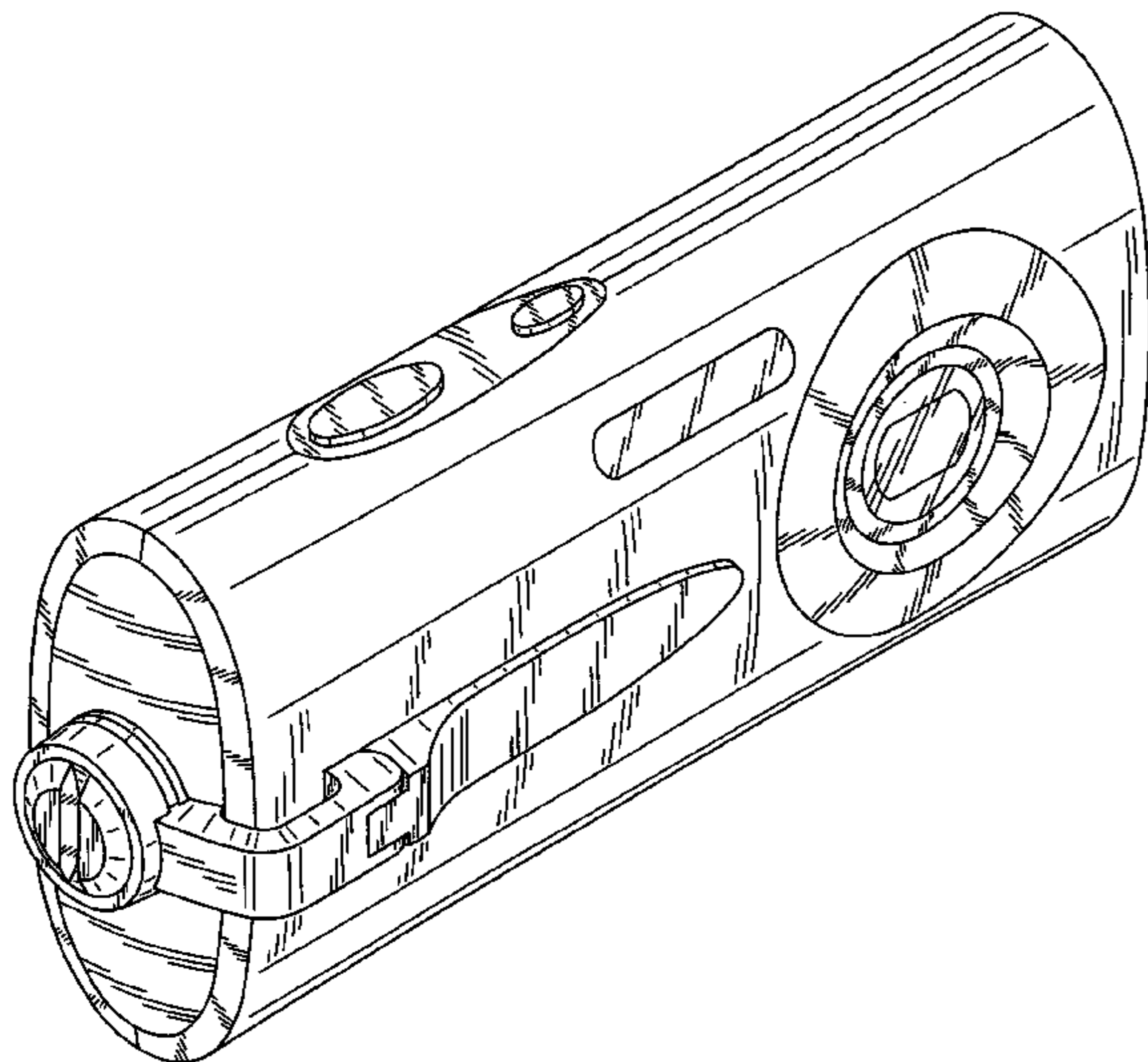
FIG. 4 is a left side view thereof;

FIG. 5 is a right side view thereof;

FIG. 6 is a top plan view thereof; and,

FIG. 7 is a bottom plan view thereof.

1 Claim, 4 Drawing Sheets



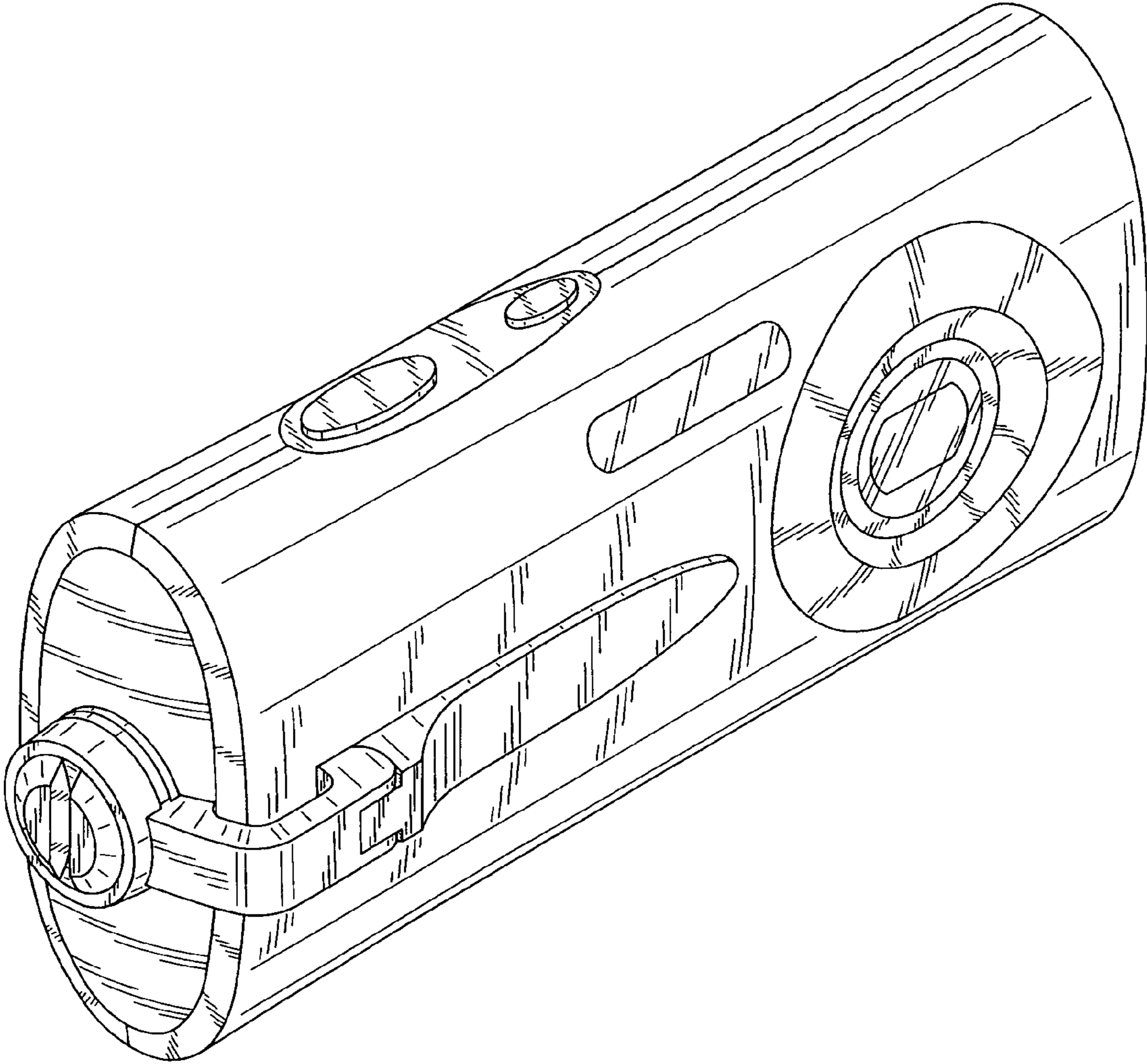


FIG. 1

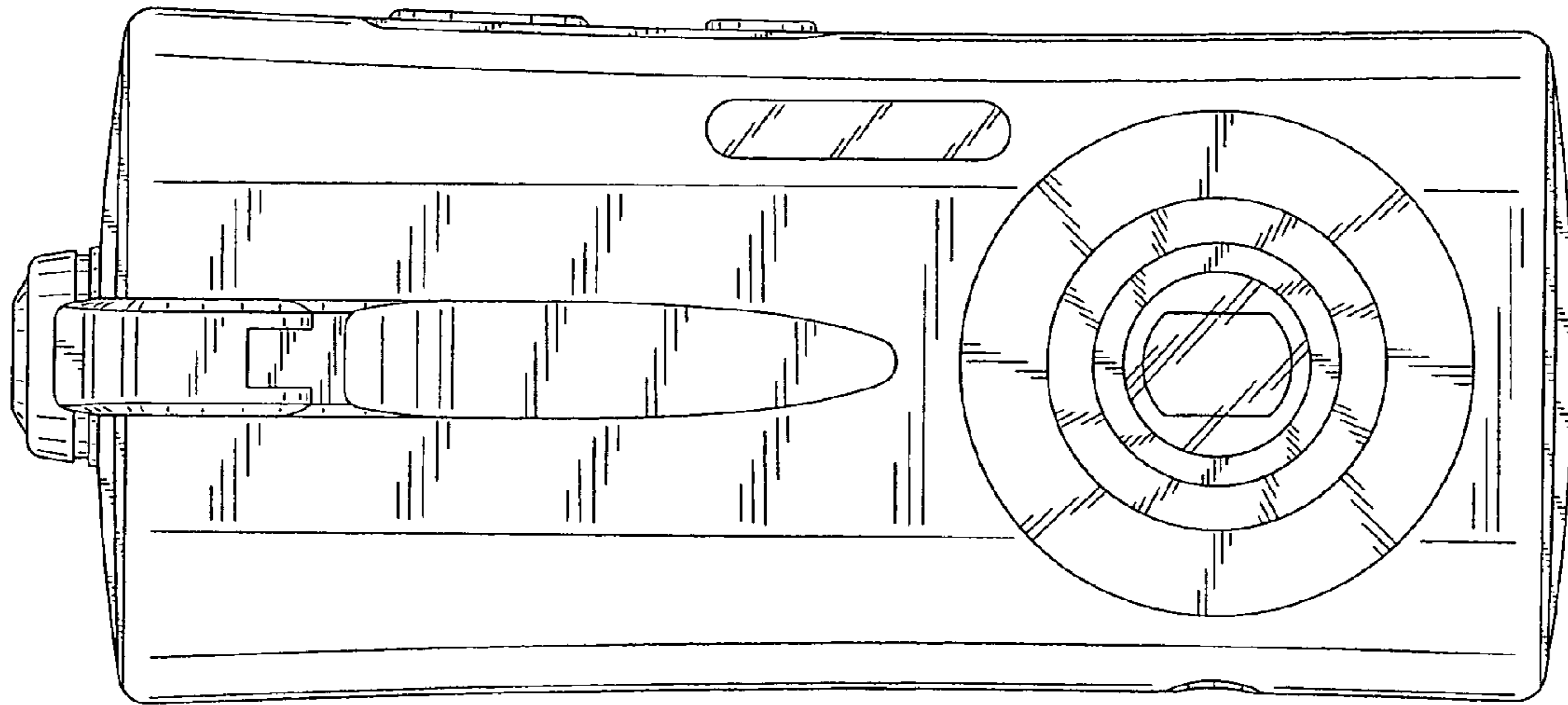


FIG. 2

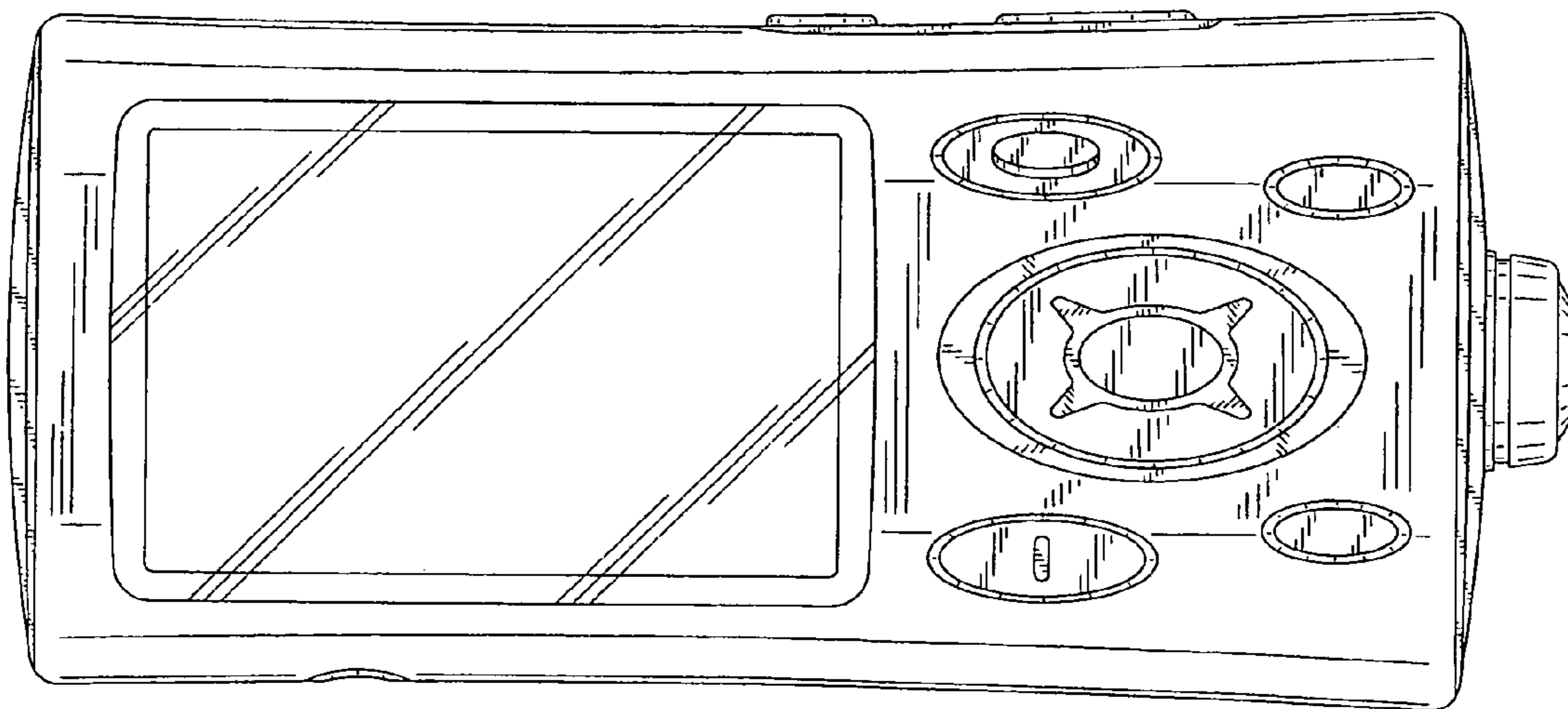


FIG. 3

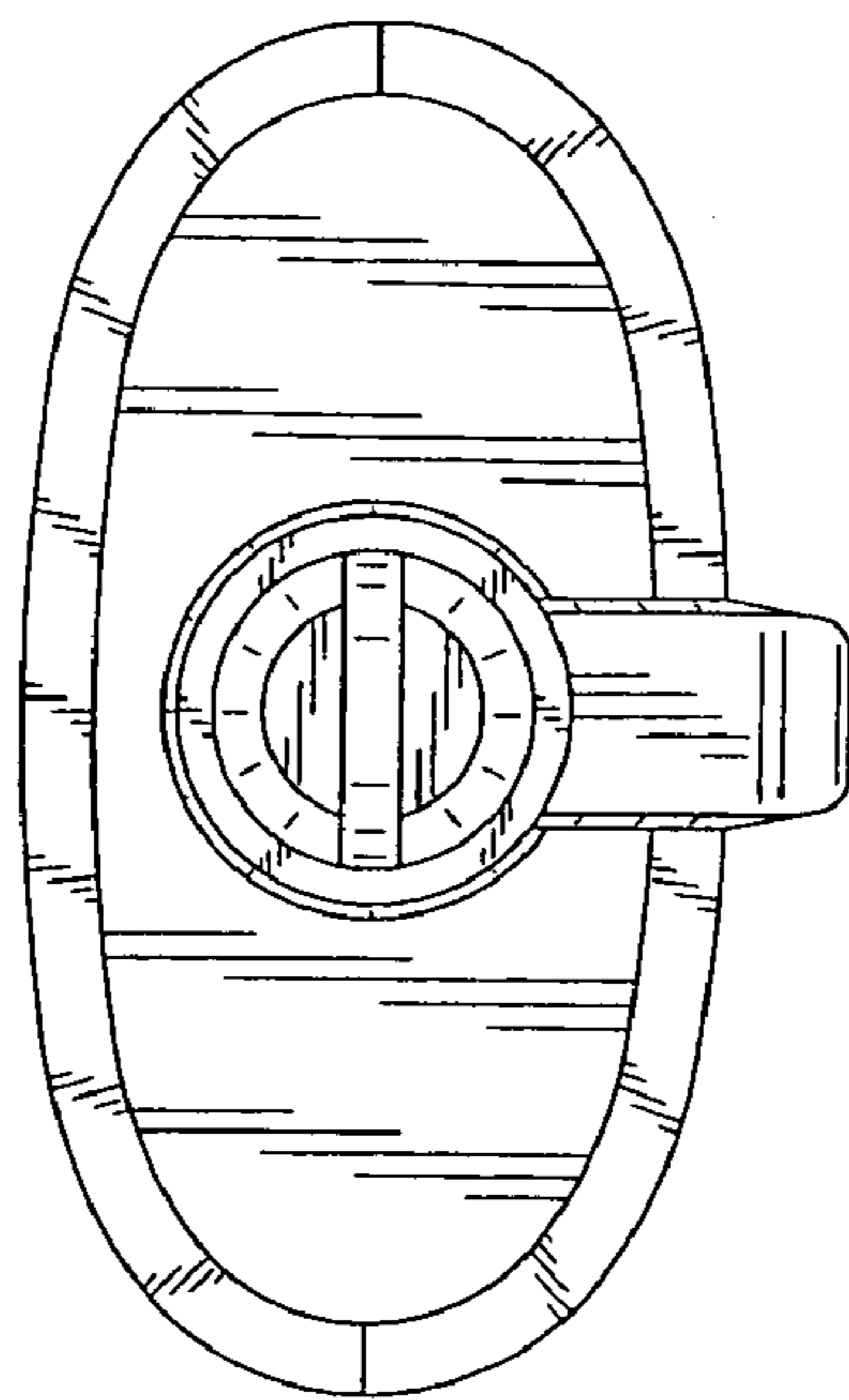


FIG. 4

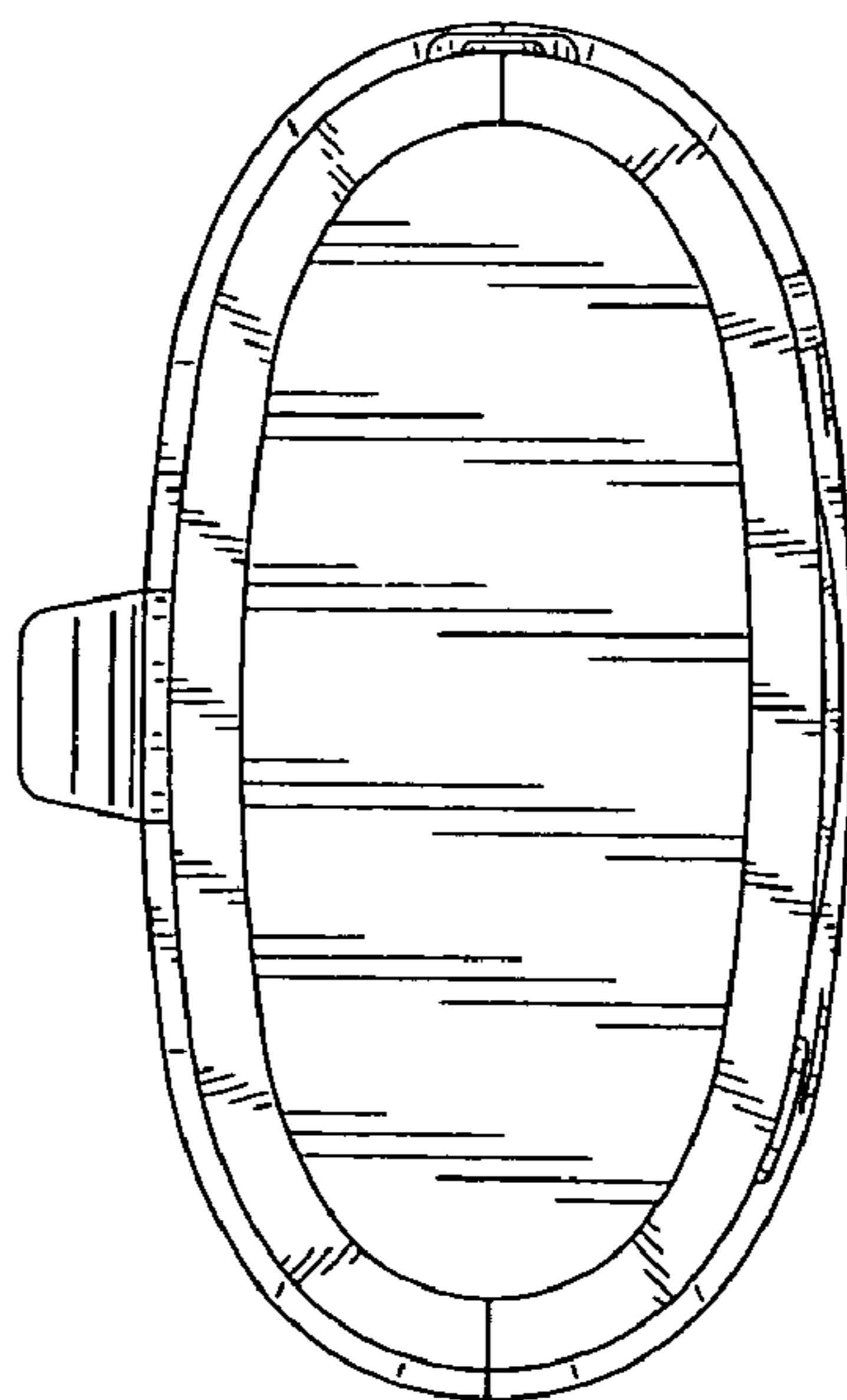


FIG. 5

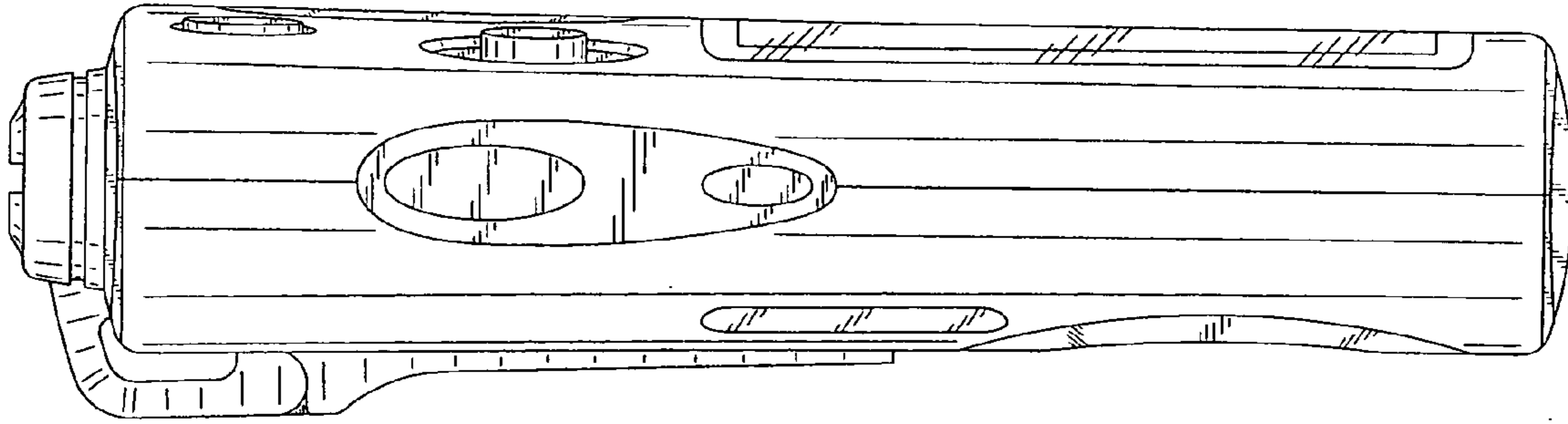


FIG. 6

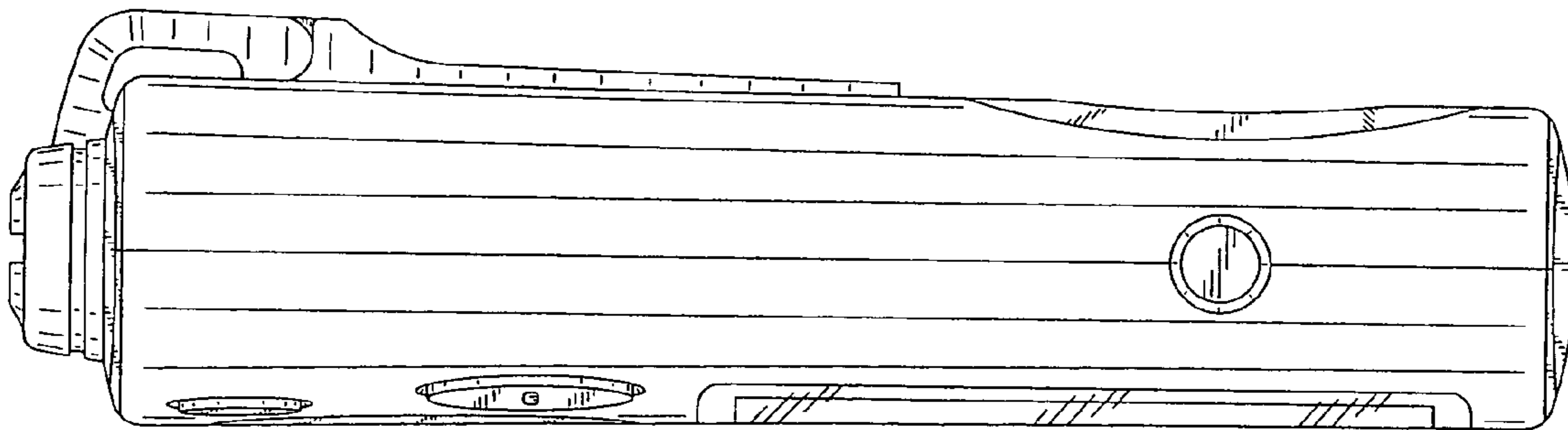


FIG. 7