

US00D554680S

(12) **United States Design Patent**
Miyahara

(10) **Patent No.:** **US D554,680 S**

(45) **Date of Patent:** **** Nov. 6, 2007**

(54) **DIGITAL CAMERA**

(75) Inventor: **Akihiro Miyahara**, Kunitachi (JP)

(73) Assignee: **Casio Keisanki Kabushiki Kaisha**,
Tokyo (JP)

(**) Term: **14 Years**

(21) Appl. No.: **29/260,365**

(22) Filed: **May 24, 2006**

(51) **LOC (8) Cl.** **16-01**

(52) **U.S. Cl.** **D16/202**

(58) **Field of Classification Search** D16/200–204,
D16/208, 209, 218; 348/373–376; 358/909.1;
396/535–541

See application file for complete search history.

(56) **References Cited**

U.S. PATENT DOCUMENTS

- 6,434,337 B1 * 8/2002 Misawa 358/909.1
- D479,547 S * 9/2003 Nagayama D16/202
- D502,480 S * 3/2005 Nagayama D16/218
- D524,341 S * 7/2006 Nagayama et al. D16/202
- D531,652 S * 11/2006 Ogino et al. D16/202
- D534,197 S * 12/2006 Hanafusa D16/202
- D537,093 S * 2/2007 Nakamura D16/202

D542,318 S * 5/2007 Nagayama D16/202

FOREIGN PATENT DOCUMENTS

JP D1198731 * 3/2004

* cited by examiner

Primary Examiner—Adir Aronovich

(74) *Attorney, Agent, or Firm*—Frishauf, Holtz, Goodman &
Chick, P.C.

(57) **CLAIM**

The ornamental design for a digital camera, as shown and described.

DESCRIPTION

FIG. 1 is a front, right side, top perspective view of a digital camera showing my new design;

FIG. 2 is a front elevational view thereof;

FIG. 3 is a rear elevational view thereof;

FIG. 4 is a left side view thereof;

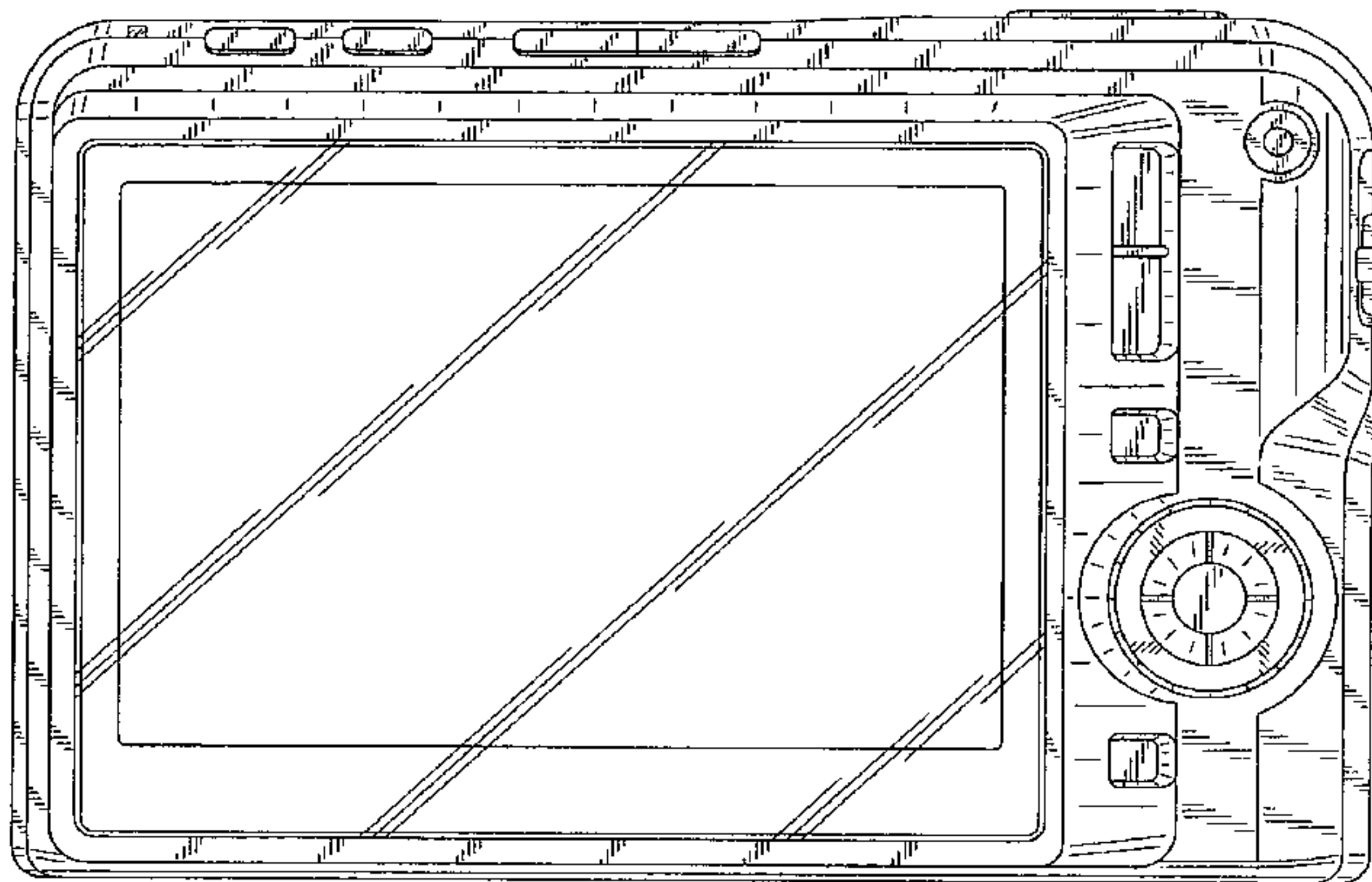
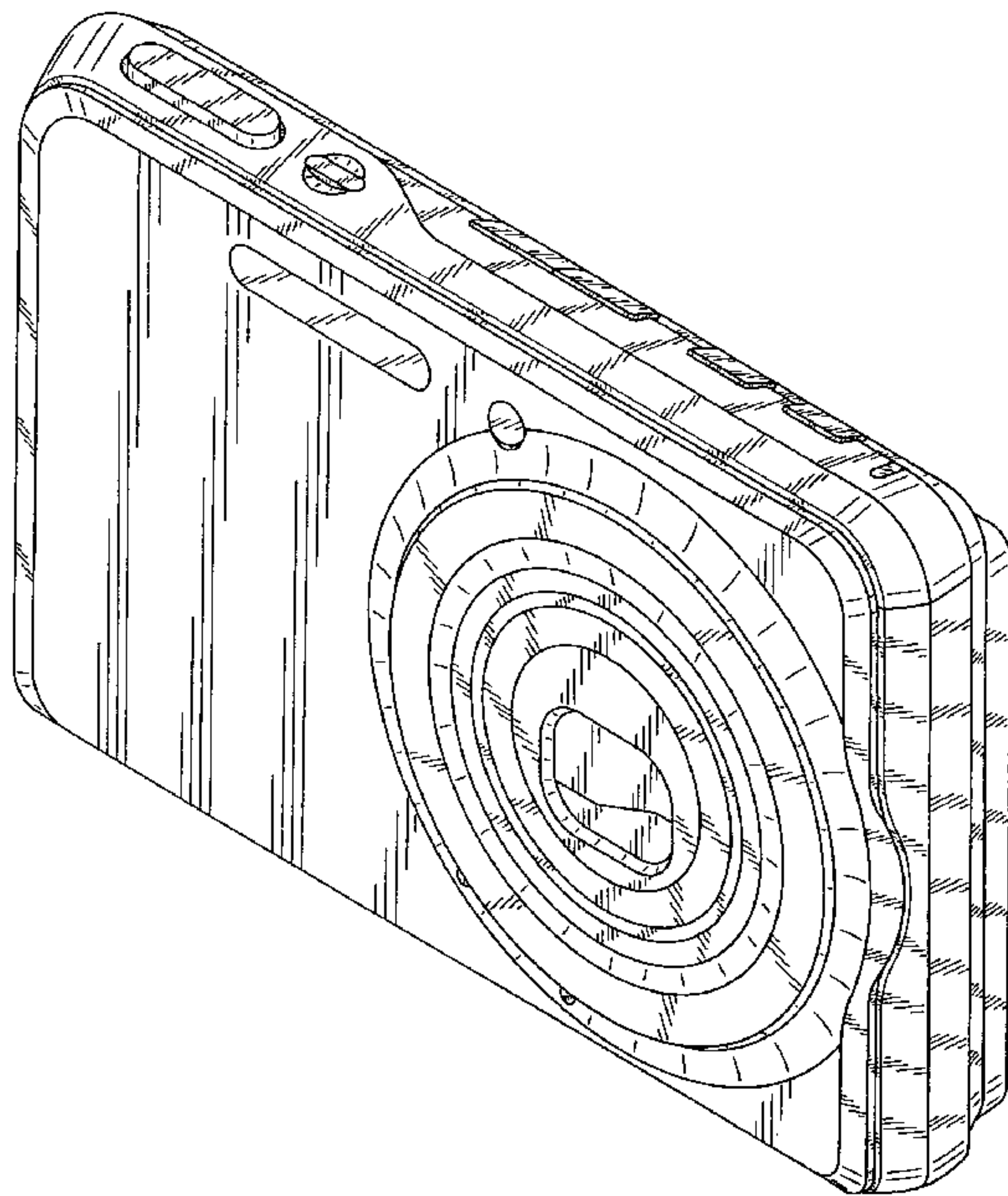
FIG. 5 is a right side view thereof;

FIG. 6 is a top plan view thereof;

FIG. 7 is a bottom plan view thereof; and,

FIG. 8 is a front, right side, top perspective view thereof, showing a zoom lens extended.

1 Claim, 7 Drawing Sheets



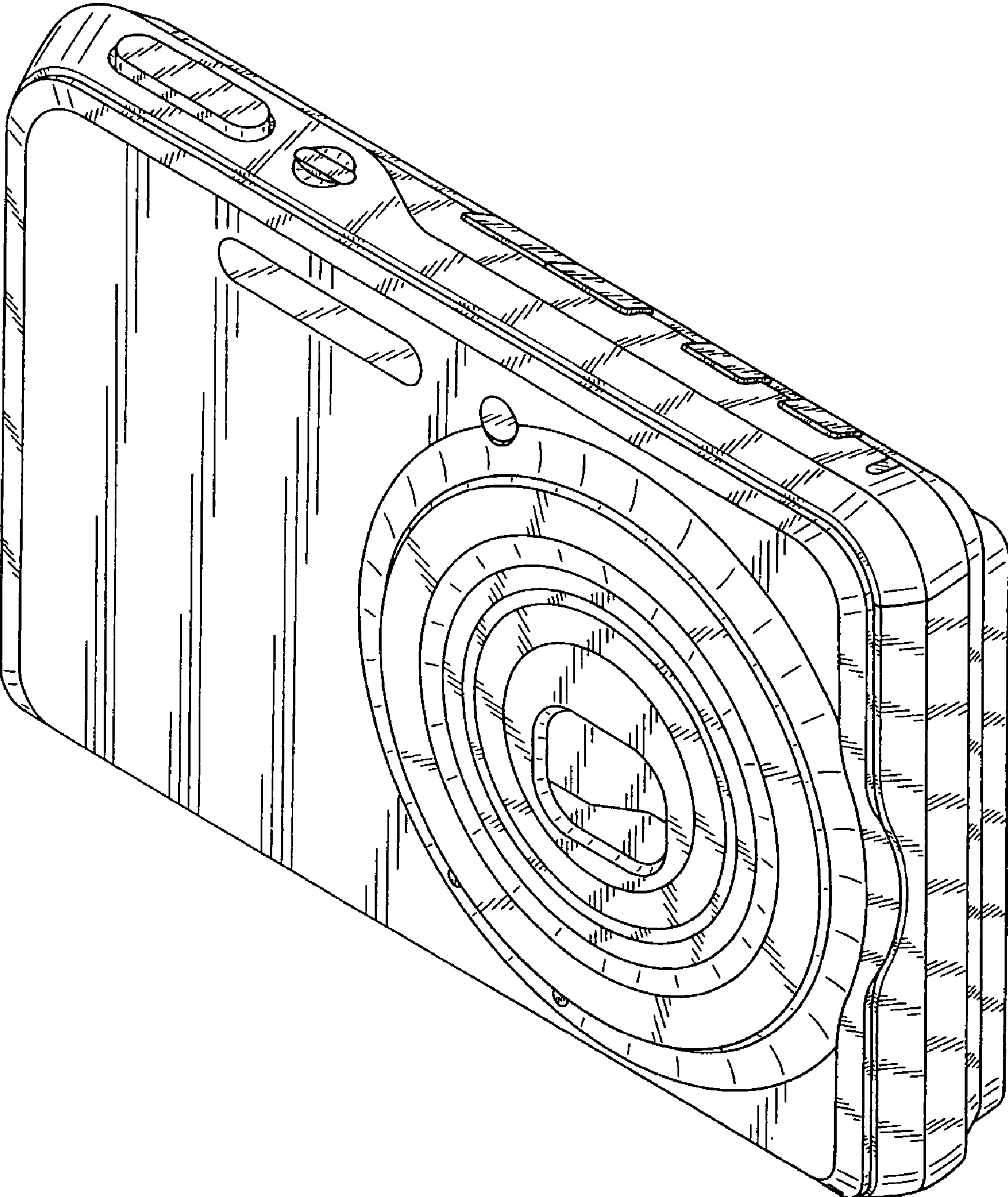


FIG. 1

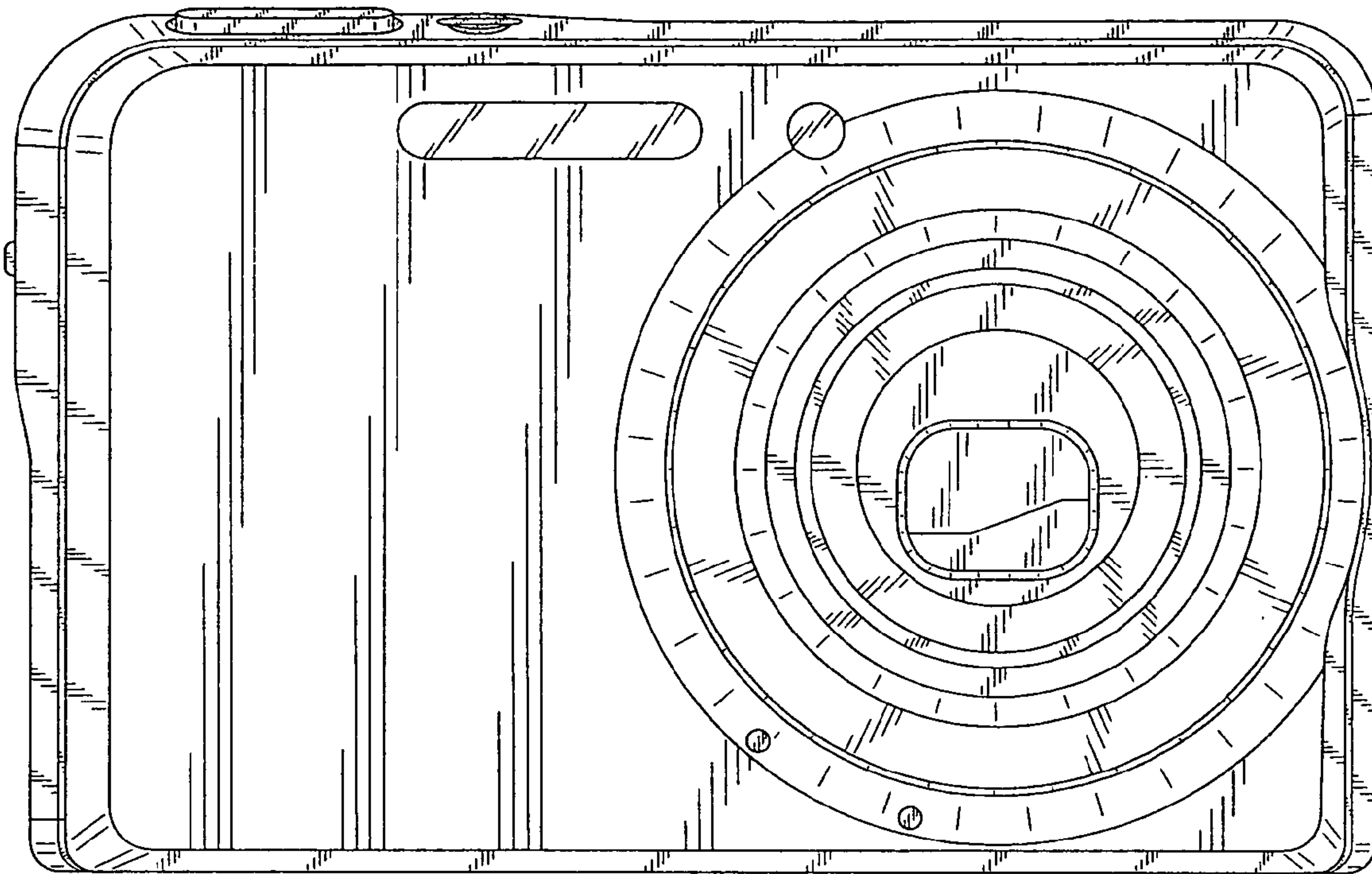


FIG. 2

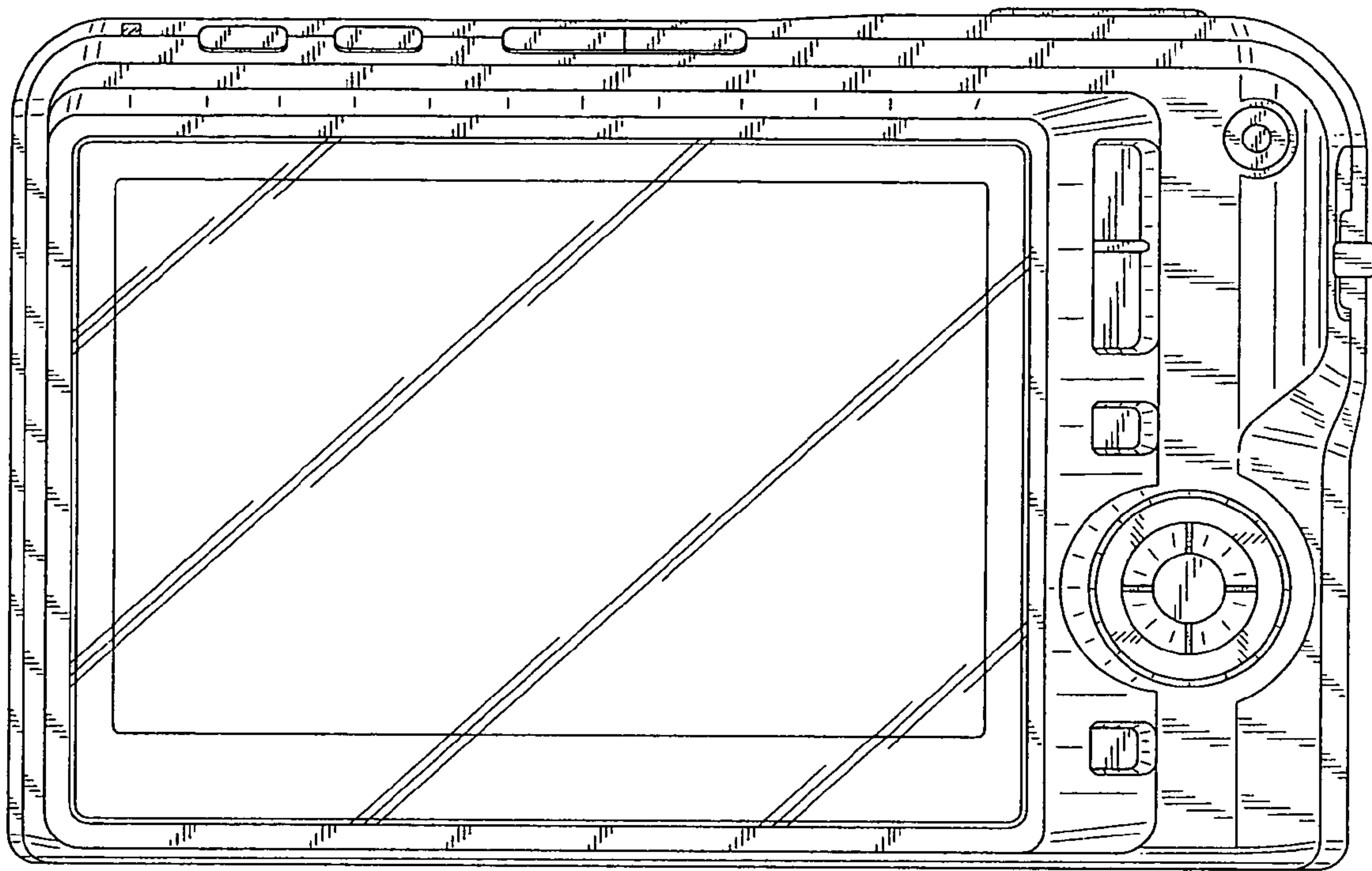


FIG. 3

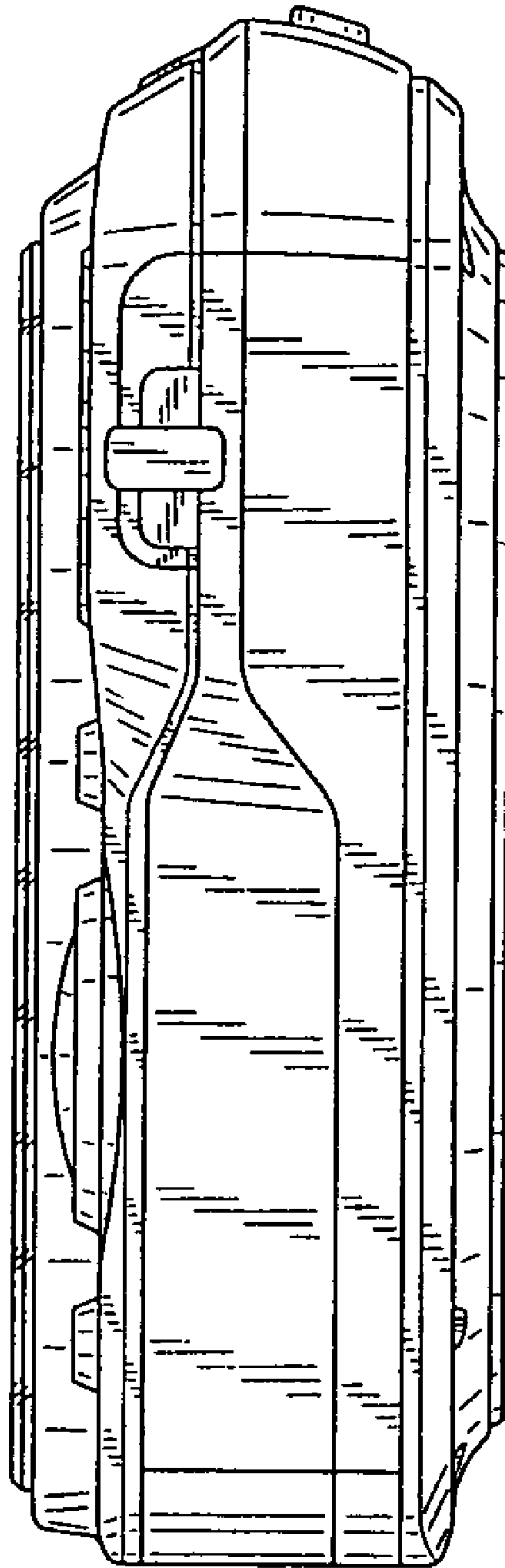


FIG. 4

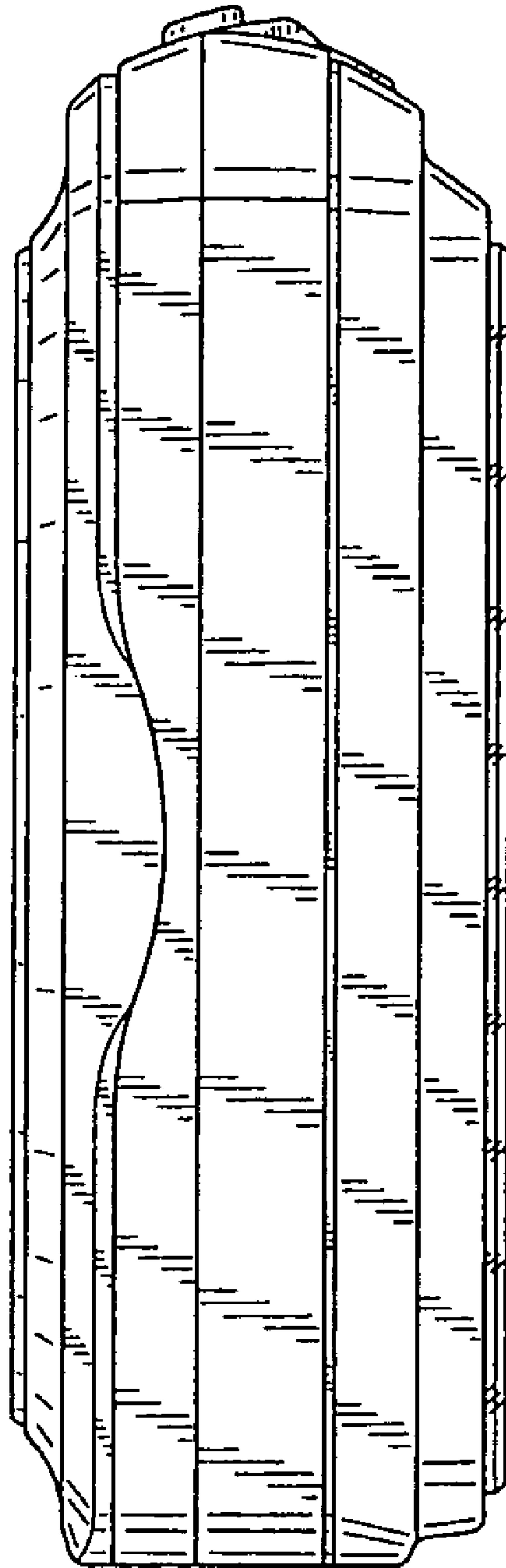


FIG. 5

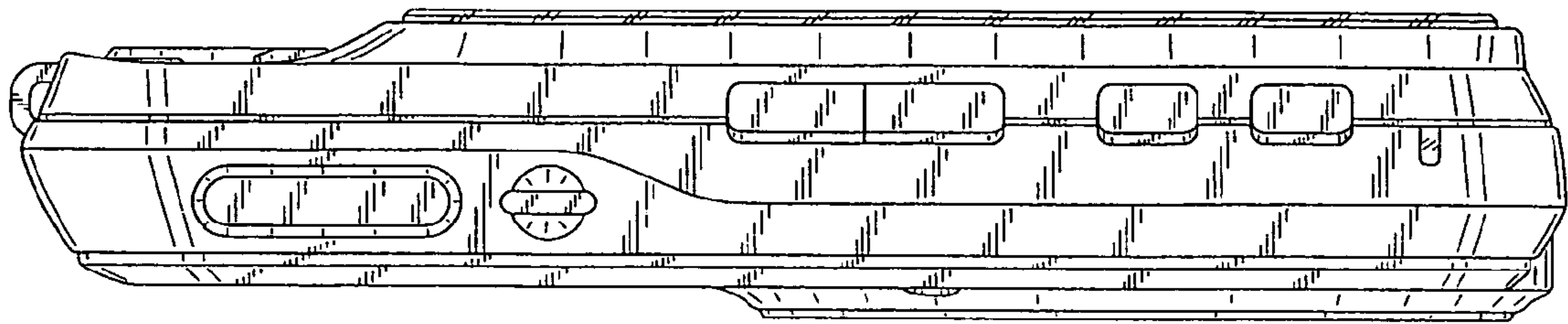


FIG. 6

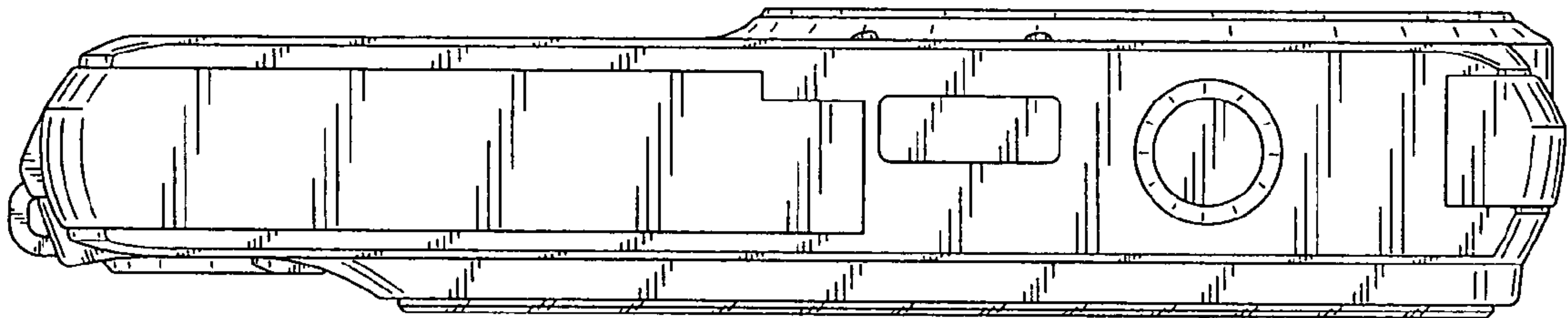


FIG. 7

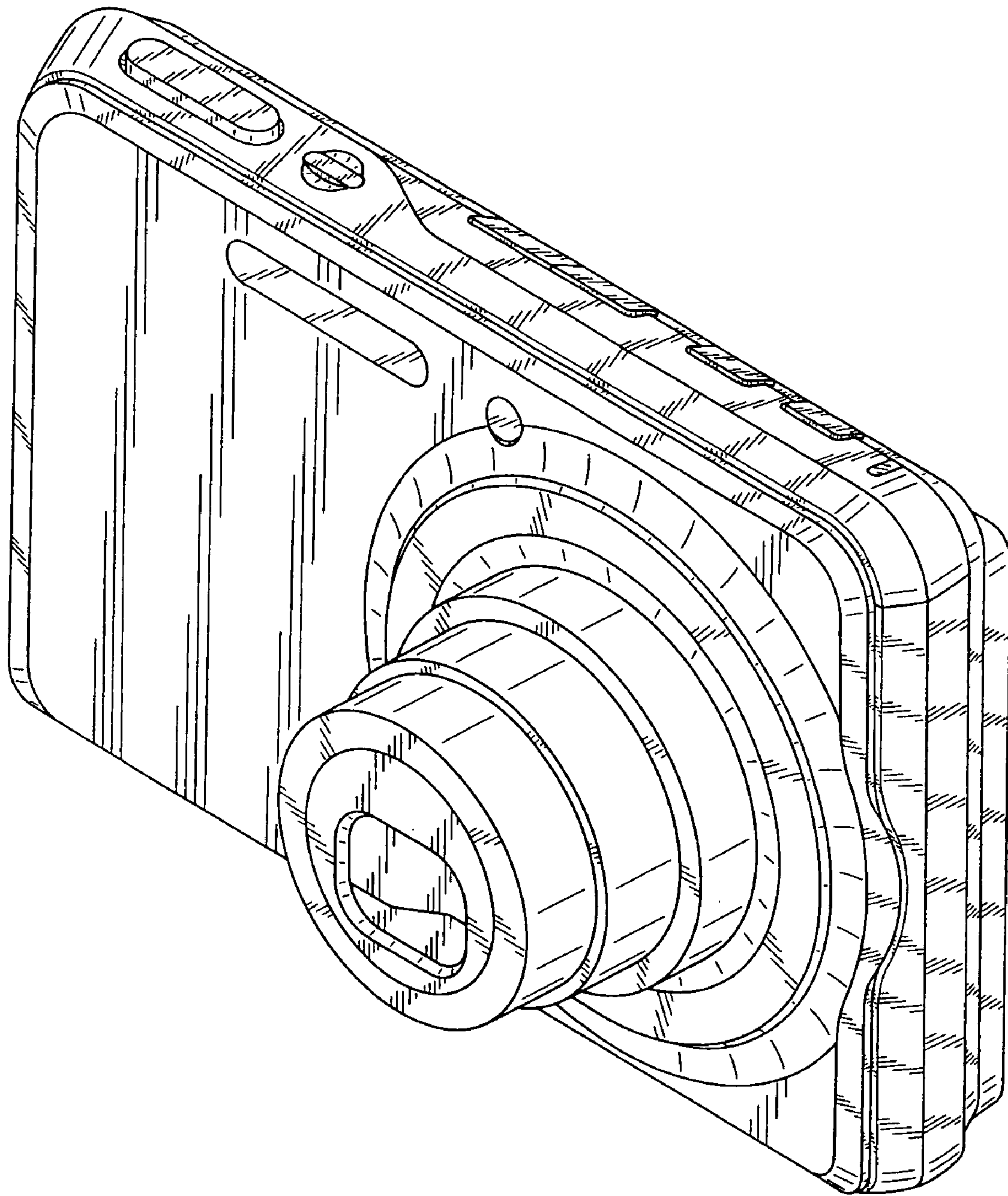


FIG. 8