



US00D554679S

(12) **United States Design Patent**  
**Nagayama et al.**

(10) **Patent No.:** **US D554,679 S**  
(45) **Date of Patent:** **\*\* Nov. 6, 2007**

(54) **DIGITAL CAMERA**

FOREIGN PATENT DOCUMENTS

(75) Inventors: **Yosuke Nagayama**, Tokyo (JP); **Yuji Ohki**, Tokyo (JP)

JP D1198731 \* 3/2004

\* cited by examiner

(73) Assignee: **Casio Keisanki Kabushiki Kaisha**, Tokyo (JP)

*Primary Examiner*—Adir Aronovich  
(74) *Attorney, Agent, or Firm*—Frishauf, Holtz, Goodman & Chick, P.C.

(\*\*) Term: **14 Years**

(21) Appl. No.: **29/260,363**

(57) **CLAIM**

(22) Filed: **May 24, 2006**

The ornamental design for a digital camera, as shown and described.

(51) **LOC (8) Cl.** ..... **16-01**

**DESCRIPTION**

(52) **U.S. Cl.** ..... **D16/202**

(58) **Field of Classification Search** ..... D16/200–204,  
D16/208, 209, 218; 348/373–376; 358/909.1;  
396/535–541

FIG. 1 is a front, right side, top perspective view of a digital camera showing our new design;

FIG. 2 is a front elevational view thereof;

FIG. 3 is a rear elevational view thereof;

FIG. 4 is a left side view thereof;

FIG. 5 is a right side view thereof;

FIG. 6 is a top plan view thereof;

FIG. 7 is a bottom plan view thereof; and,

FIG. 8 is a front, right side, top perspective view thereof, showing a zoom lens extended.

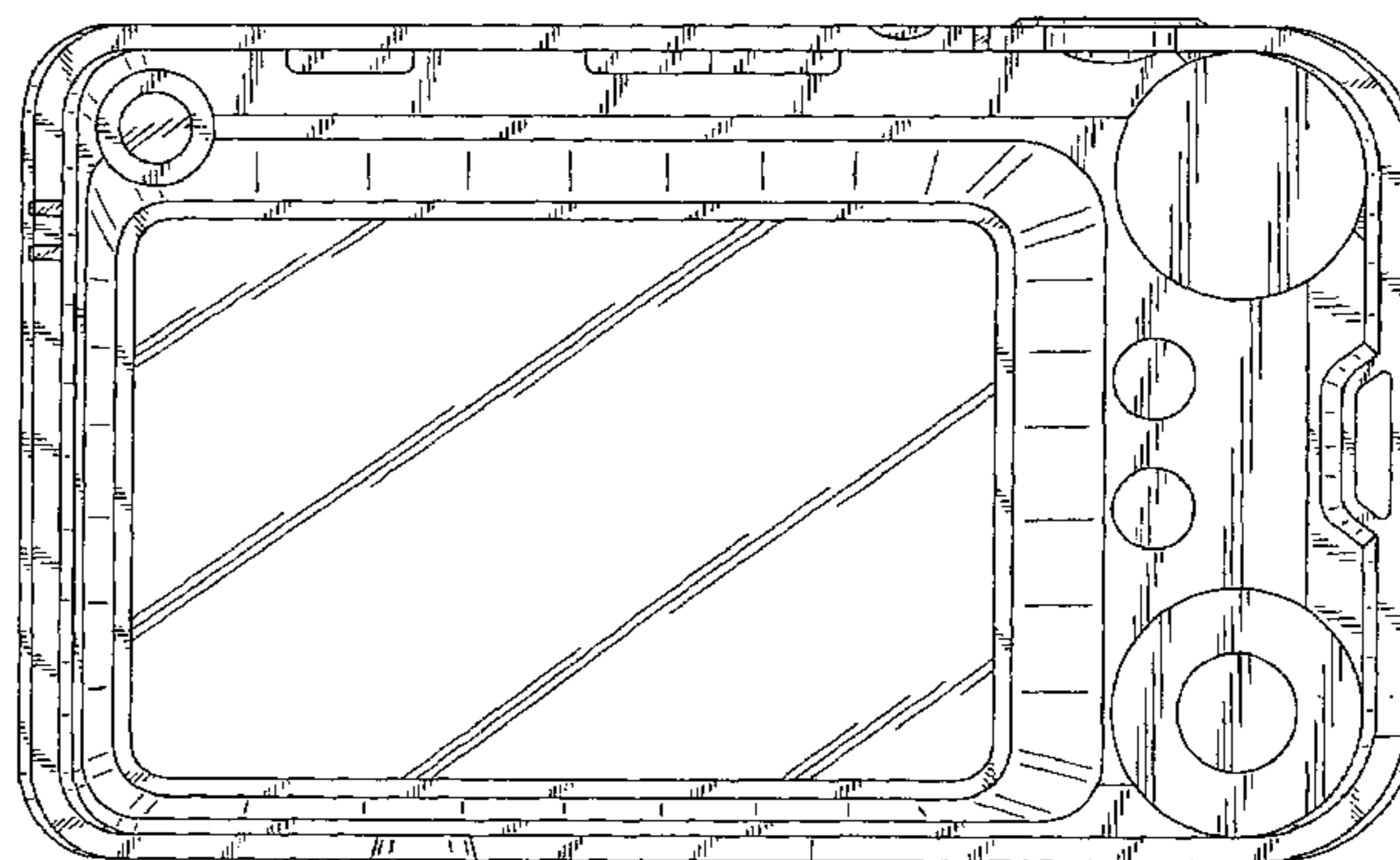
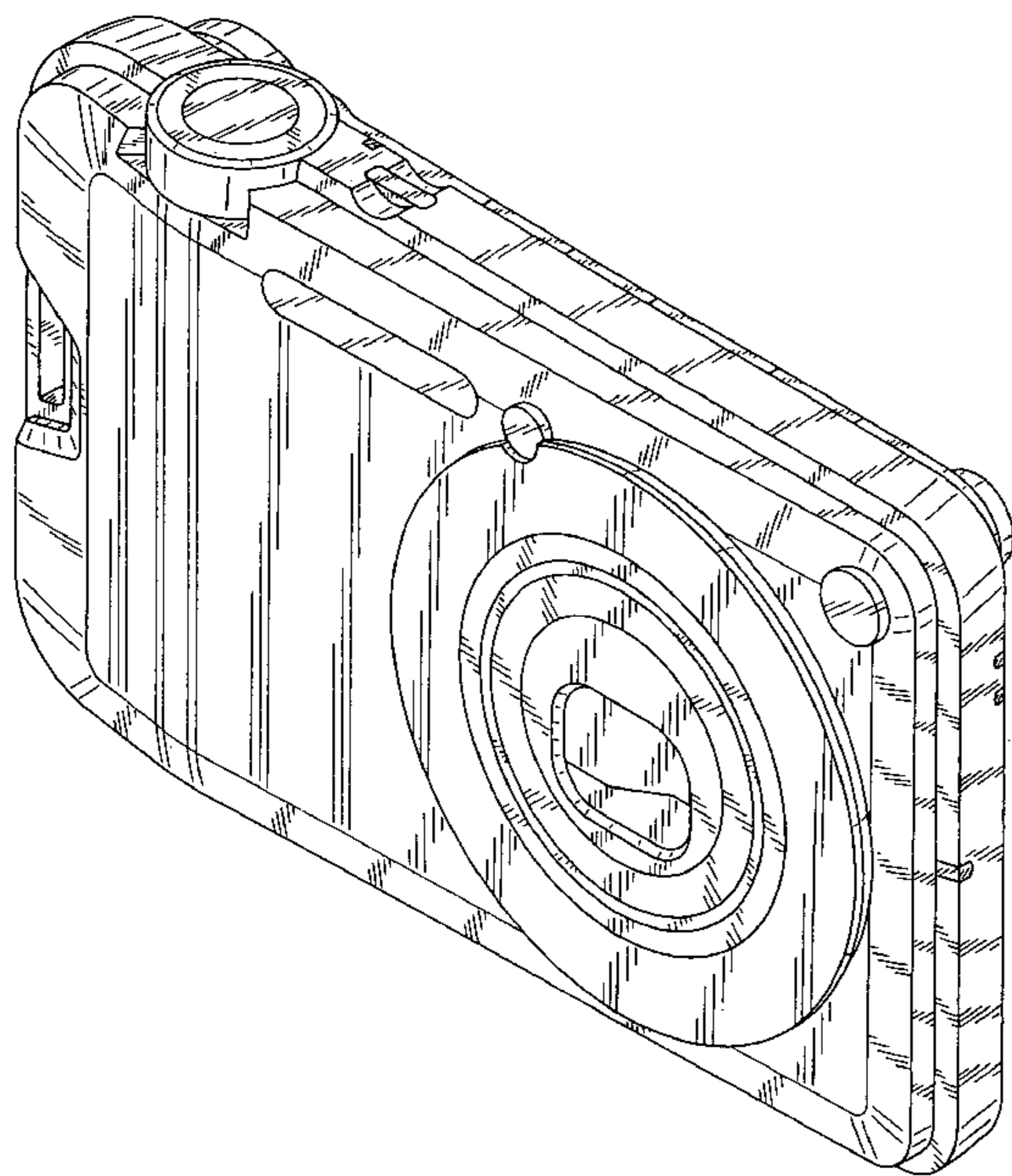
See application file for complete search history.

(56) **References Cited**

U.S. PATENT DOCUMENTS

6,434,337 B1 *	8/2002	Misawa	.....	358/909.1
D524,344 S *	7/2006	Imai	.....	D16/202
D531,652 S *	11/2006	Ogino et al.	.....	D16/202
D534,197 S *	12/2006	Hanafusa	.....	D16/202
D537,093 S *	2/2007	Nakamura	.....	D16/202
D542,318 S *	5/2007	Nagayama	.....	D16/202

**1 Claim, 5 Drawing Sheets**



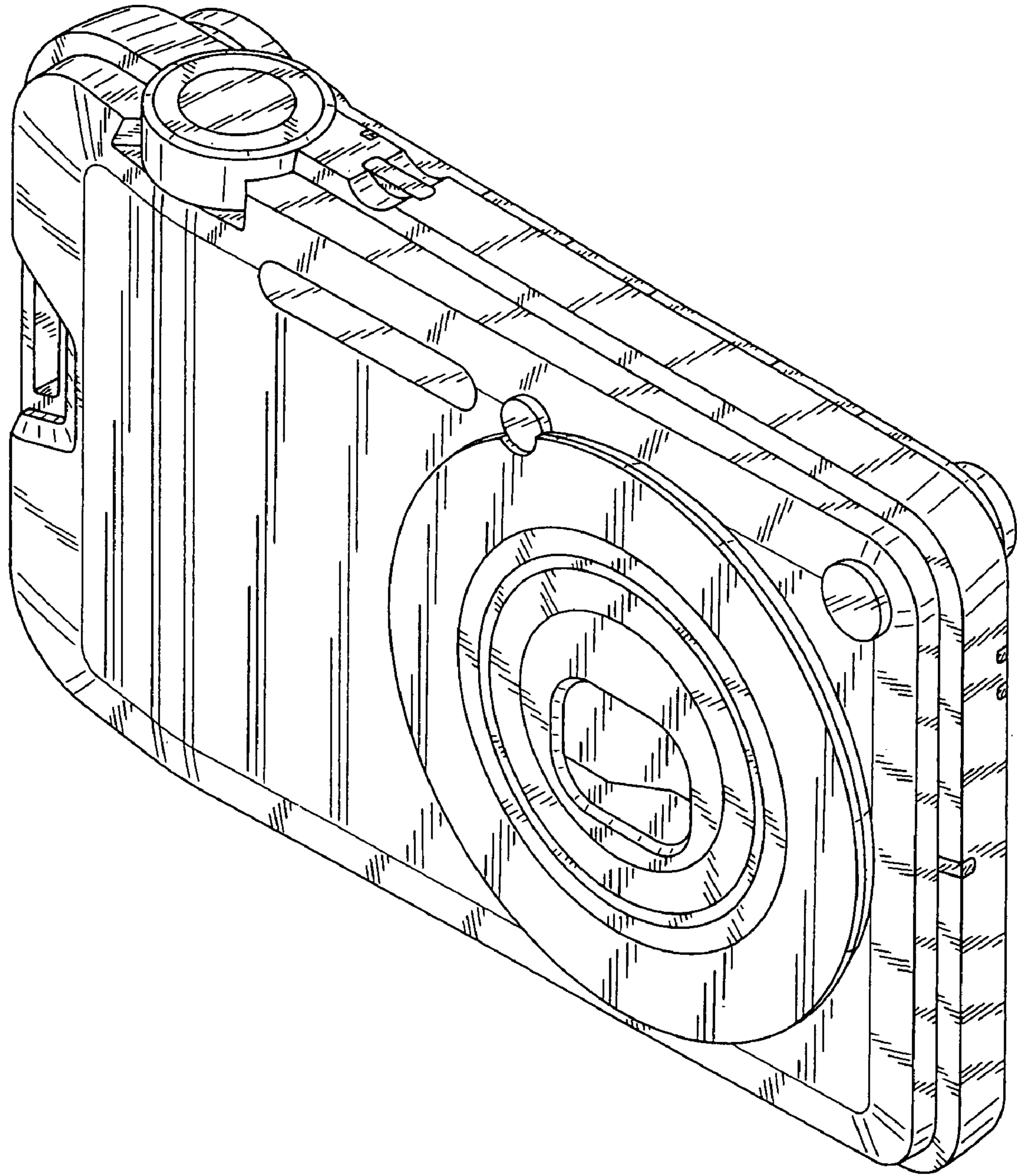


FIG. 1

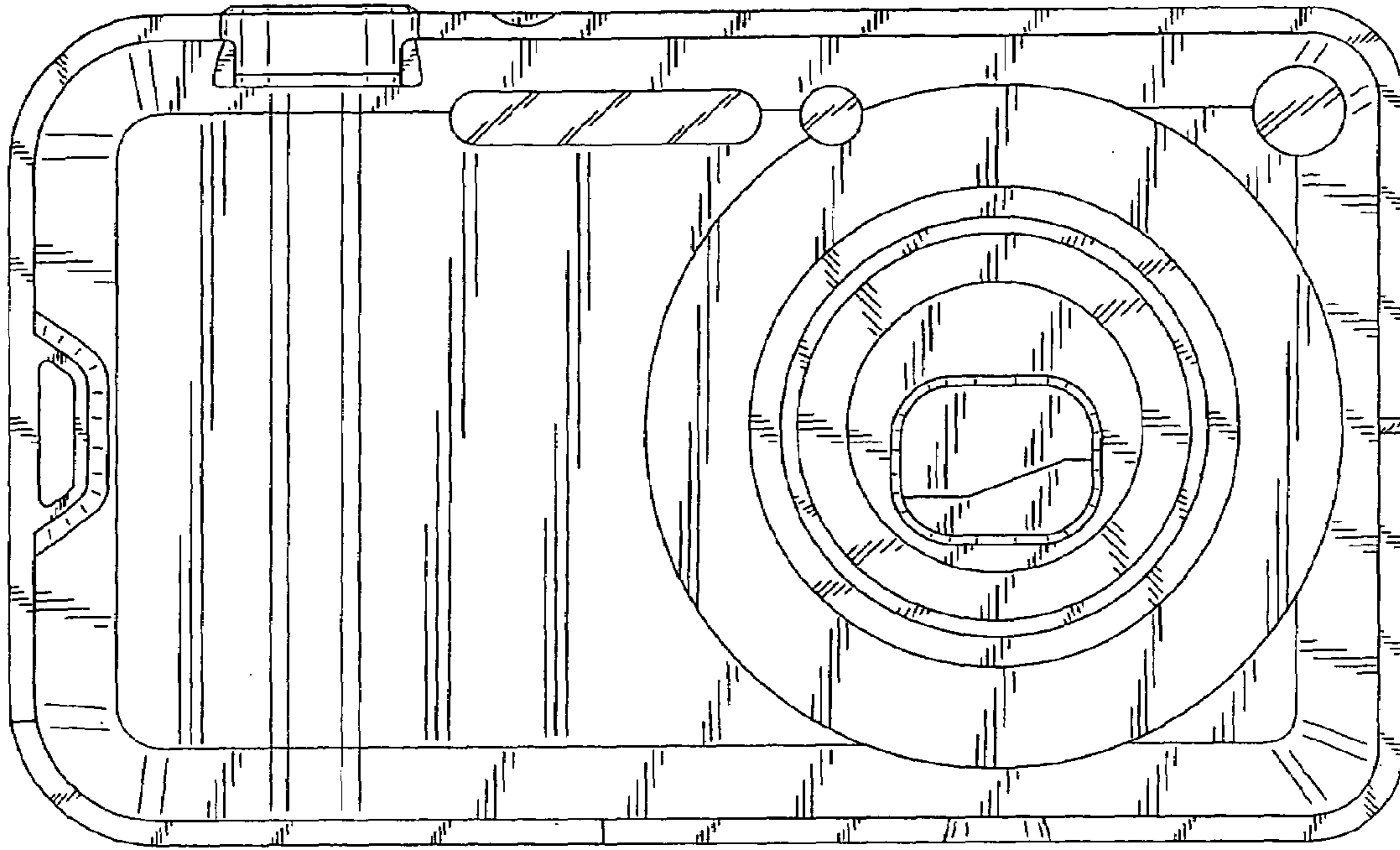


FIG. 2

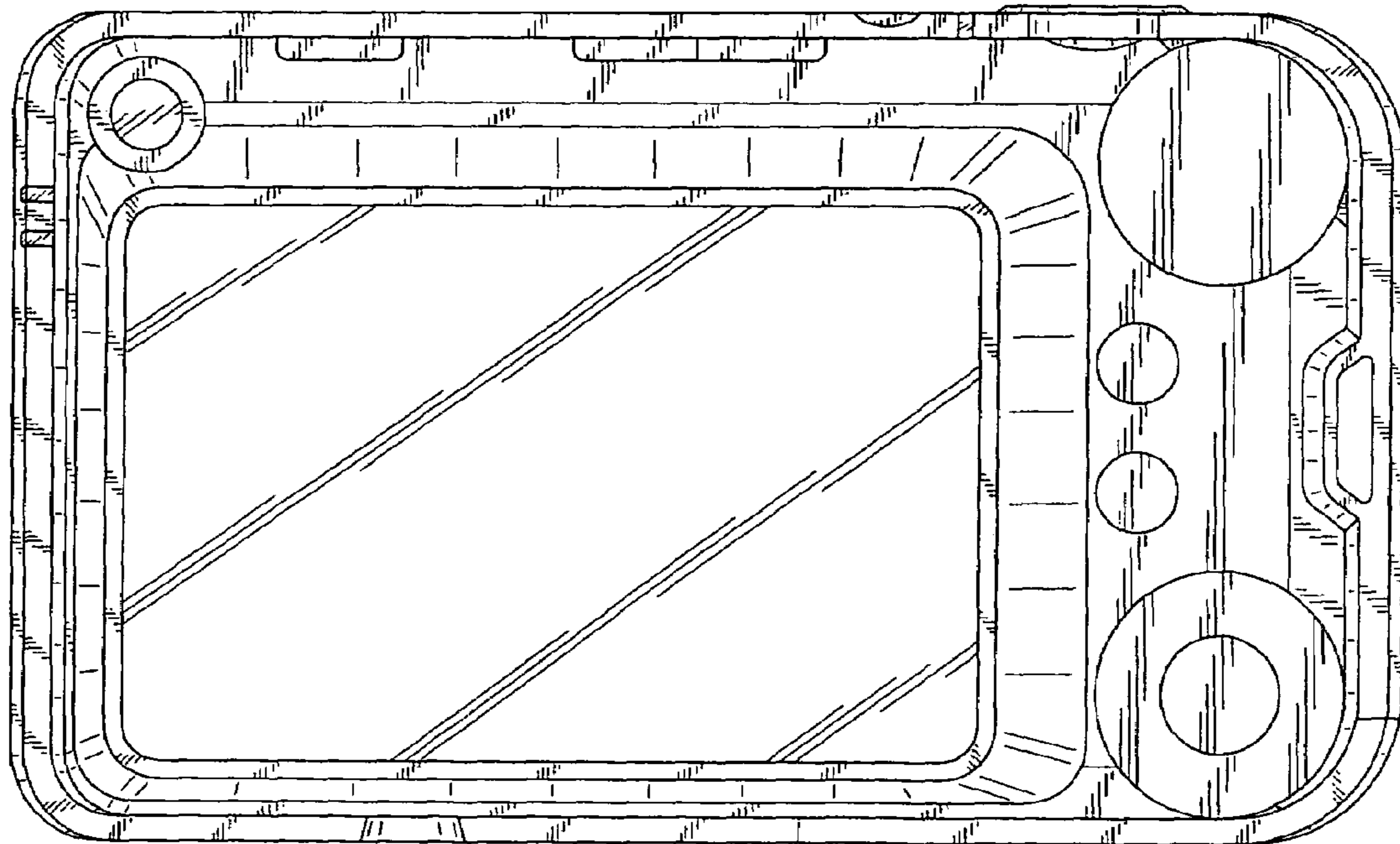
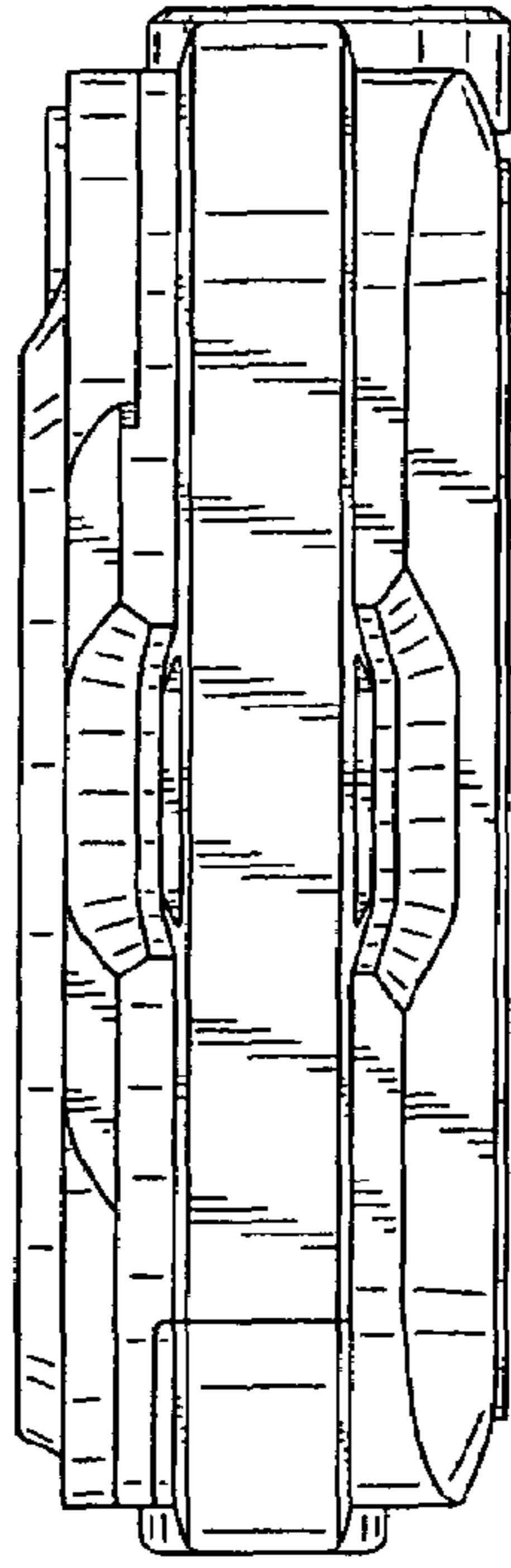
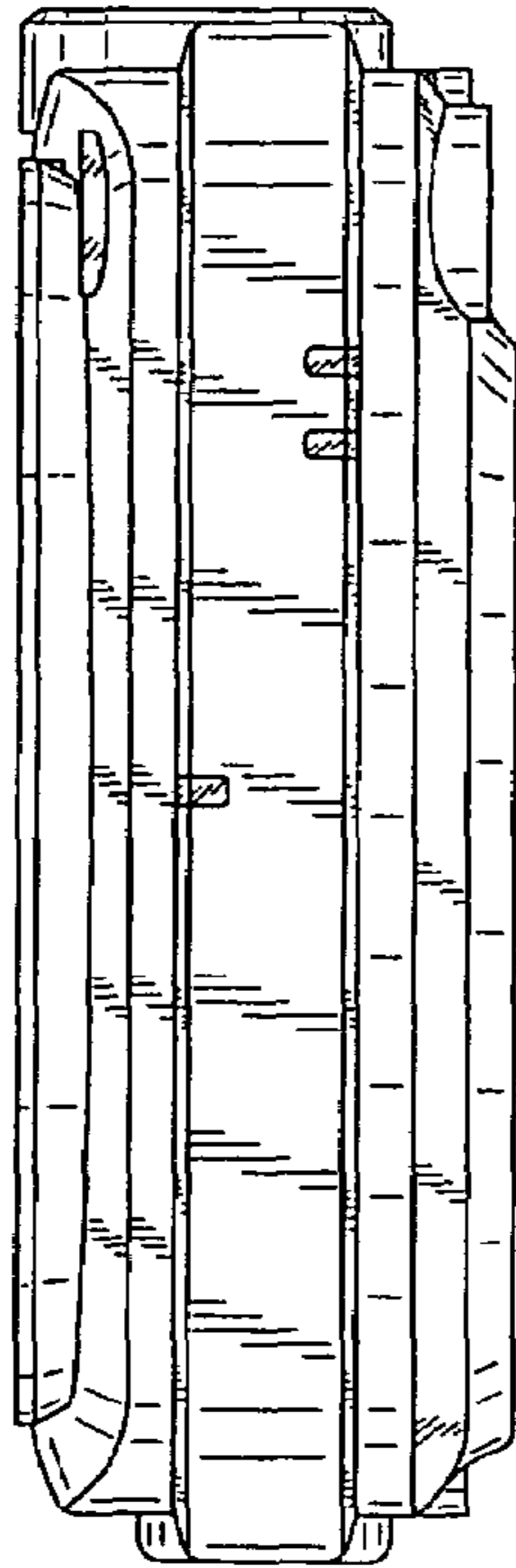


FIG. 3





**FIG. 4**



**FIG. 5**

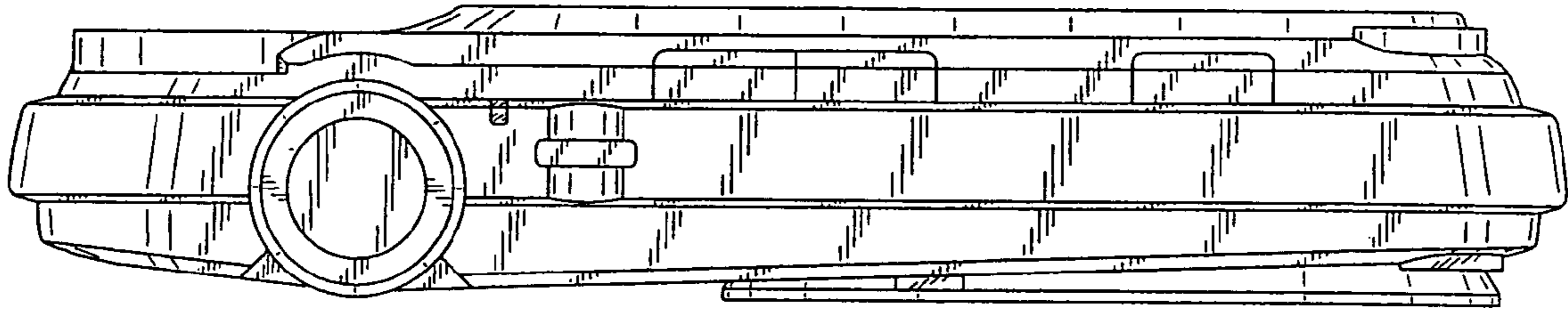


FIG. 6

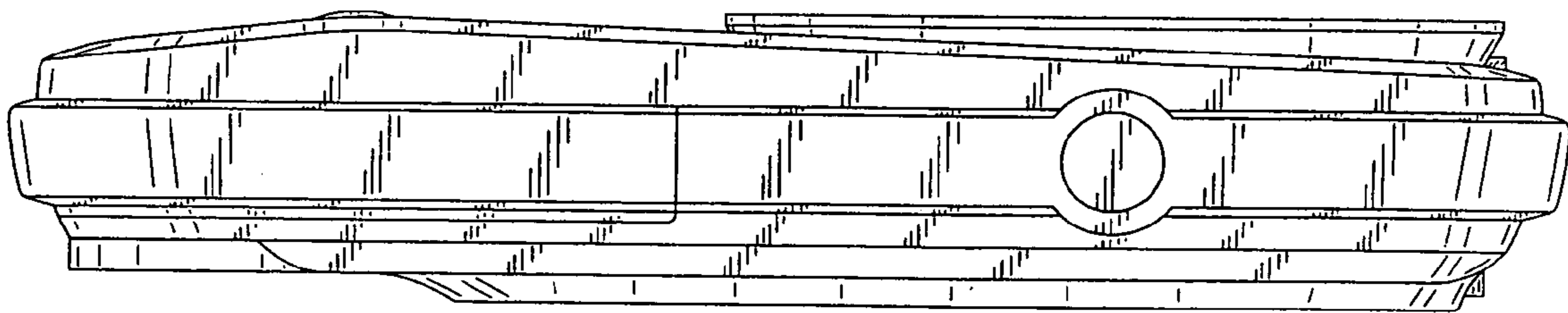


FIG. 7

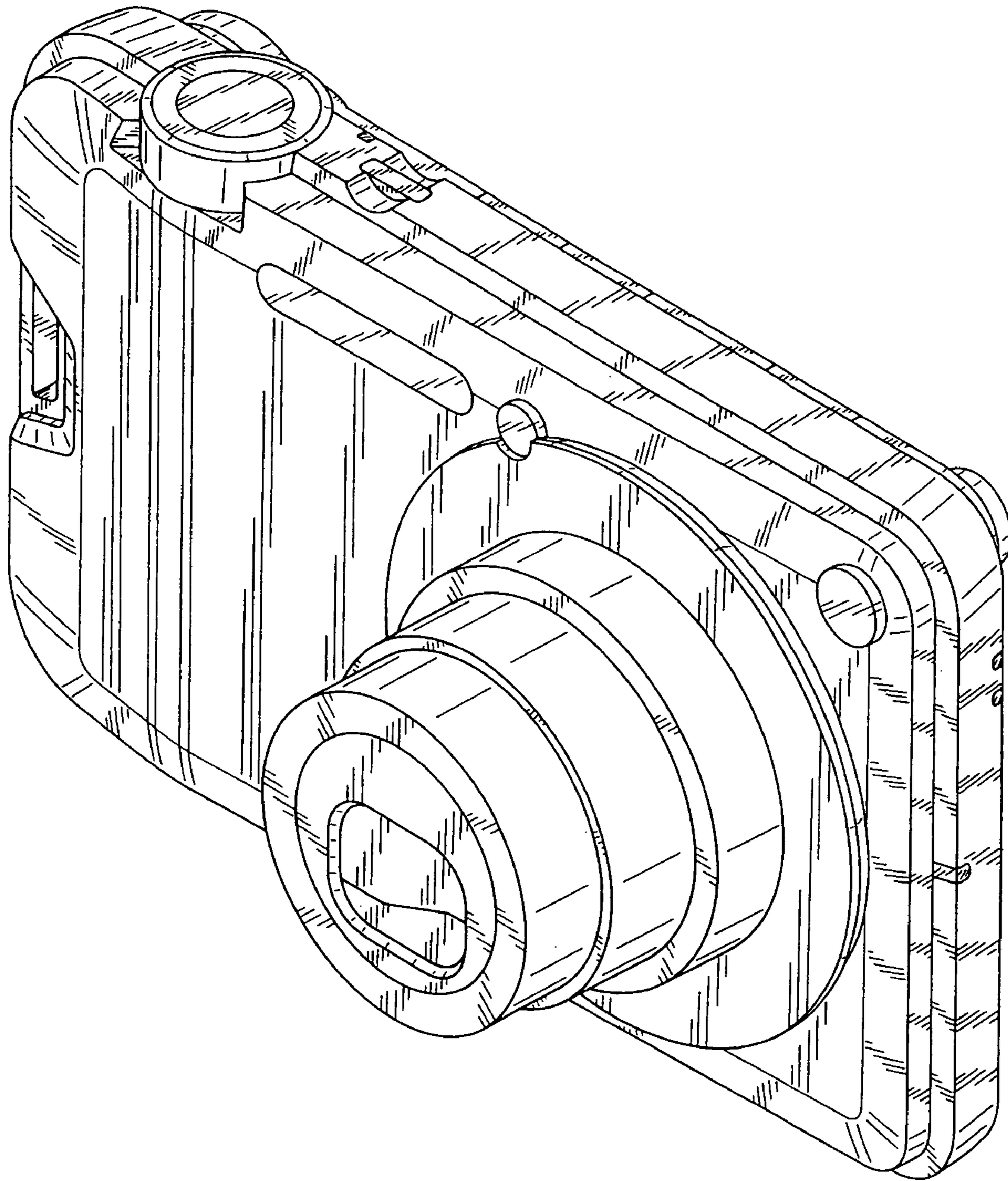


FIG. 8