



US00D554678S

(12) **United States Design Patent**
Kim

(10) **Patent No.:** **US D554,678 S**

(45) **Date of Patent:** **** Nov. 6, 2007**

(54) **CAMCORDER**

(75) Inventor: **In-Shik Kim**, Seoul (KR)

(73) Assignee: **Samsung Electronics Co., Ltd.**,
Kyunggi-do (KR)

(**) Term: **14 Years**

(21) Appl. No.: **29/258,152**

(22) Filed: **Apr. 18, 2006**

(51) **LOC (8) Cl.** **16-01**

(52) **U.S. Cl.** **D16/202**

(58) **Field of Classification Search** D16/200–206,
D16/208, 218, 219; 348/373–376; 358/906;
396/535–541

See application file for complete search history.

(56) **References Cited**

U.S. PATENT DOCUMENTS

D356,806 S	3/1995	Kim	
D365,354 S	12/1995	Sung	
D366,886 S	2/1996	Choi	
D368,729 S	4/1996	Choi	
D372,925 S	8/1996	Choi	
D378,296 S	3/1997	Choi	
D383,767 S	9/1997	Sung et al.	
D386,506 S	11/1997	Choi	
D390,243 S	2/1998	Choi	
D396,051 S *	7/1998	Mori	D16/205
D426,843 S *	6/2000	Tanaka	D16/202
D446,800 S *	8/2001	Fukushima et al.	D16/202
D469,793 S *	2/2003	Onoda et al.	D16/202
D474,792 S	5/2003	Hyun	
D484,901 S	1/2004	Lim	

6,912,005 B2 *	6/2005	Senda	348/333.06
D515,605 S *	2/2006	Hayashi et al.	D16/202
D520,044 S	5/2006	Chung et al.	
D520,545 S	5/2006	Chung et al.	
D520,546 S	5/2006	Kim	
D521,041 S	5/2006	Chung et al.	
D524,841 S *	7/2006	Ikenaga	D16/219
D525,637 S *	7/2006	Suzuki et al.	D16/202
D526,674 S *	8/2006	Byun et al.	D16/202
D528,142 S *	9/2006	Byun et al.	D16/202
D528,576 S *	9/2006	Chung et al.	D16/202
D528,577 S *	9/2006	Byun et al.	D16/202
D534,195 S *	12/2006	Ikenaga	D16/202

* cited by examiner

Primary Examiner—Adir Aronovich

(74) *Attorney, Agent, or Firm*—Flynn, Thiel, Boutell & Tanis, P.C.

(57) **CLAIM**

The ornamental design for a camcorder, as shown and described.

DESCRIPTION

FIG. 1 is a top front perspective view of a camcorder showing our new design;

FIG. 2 is a front elevational view thereof;

FIG. 3 is a rear elevational view thereof;

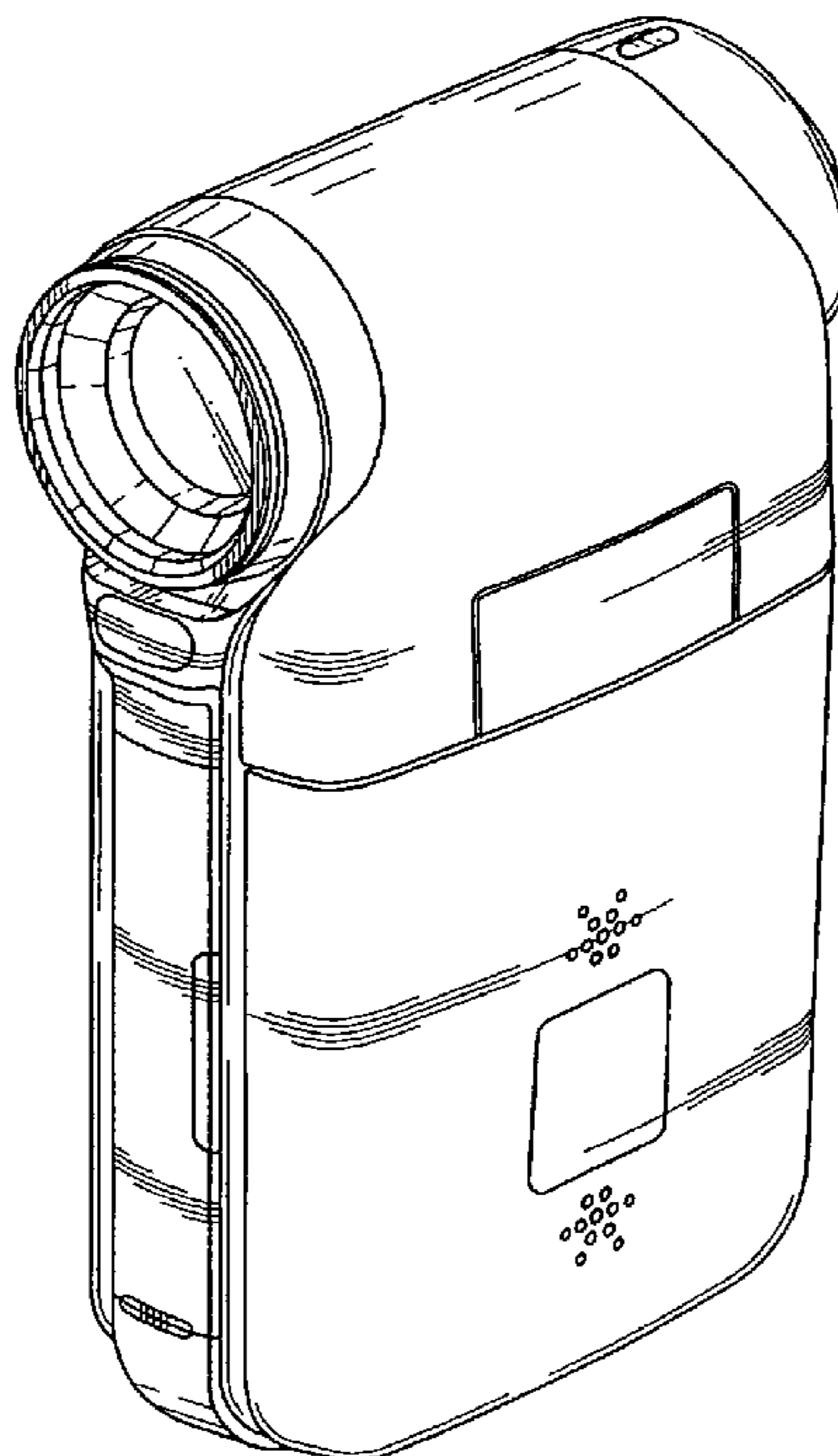
FIG. 4 is a left side elevational view thereof;

FIG. 5 is a right side elevational view thereof;

FIG. 6 is a top plan view thereof; and,

FIG. 7 is a bottom plan view thereof.

1 Claim, 4 Drawing Sheets



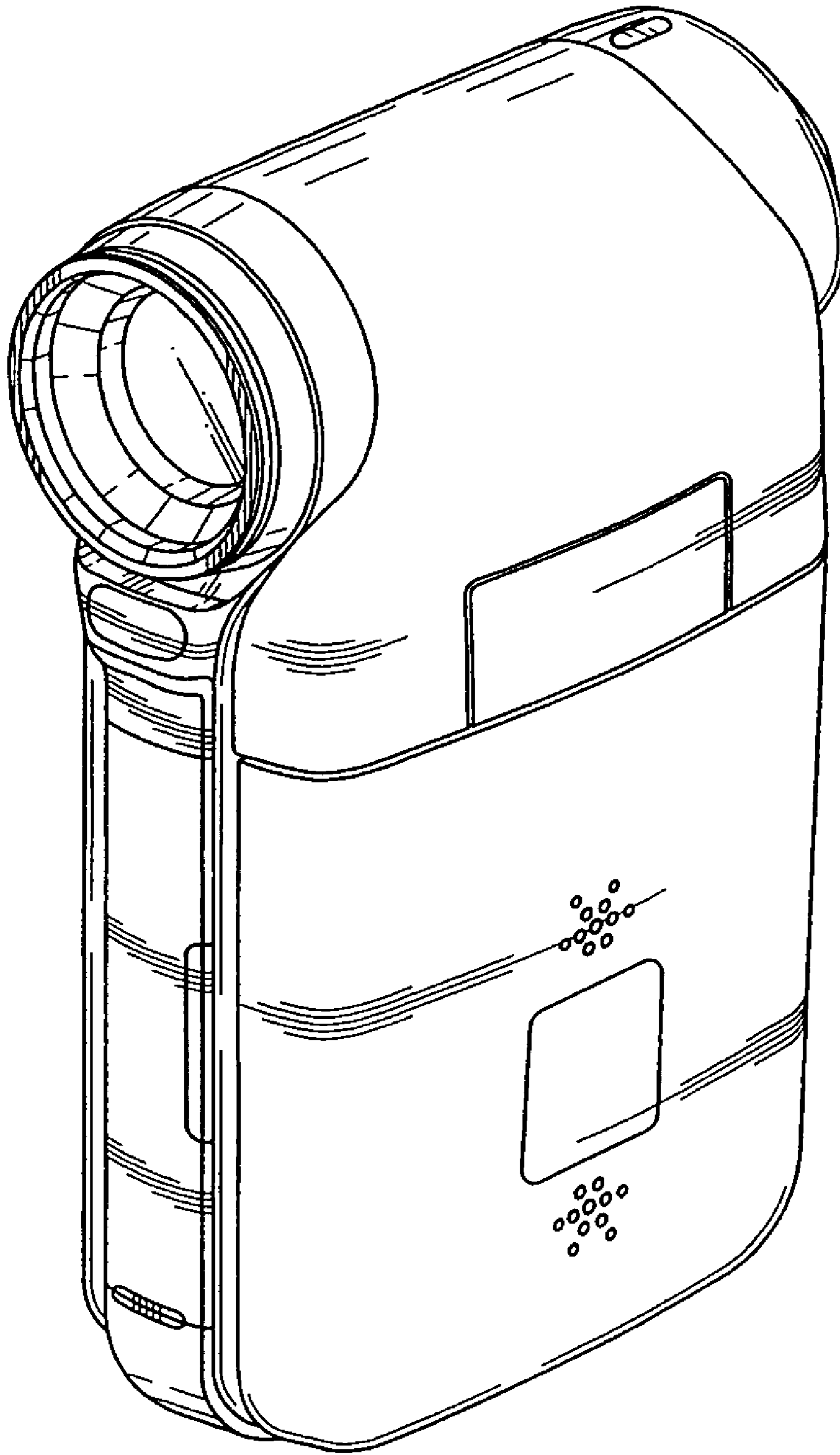


FIG. 1

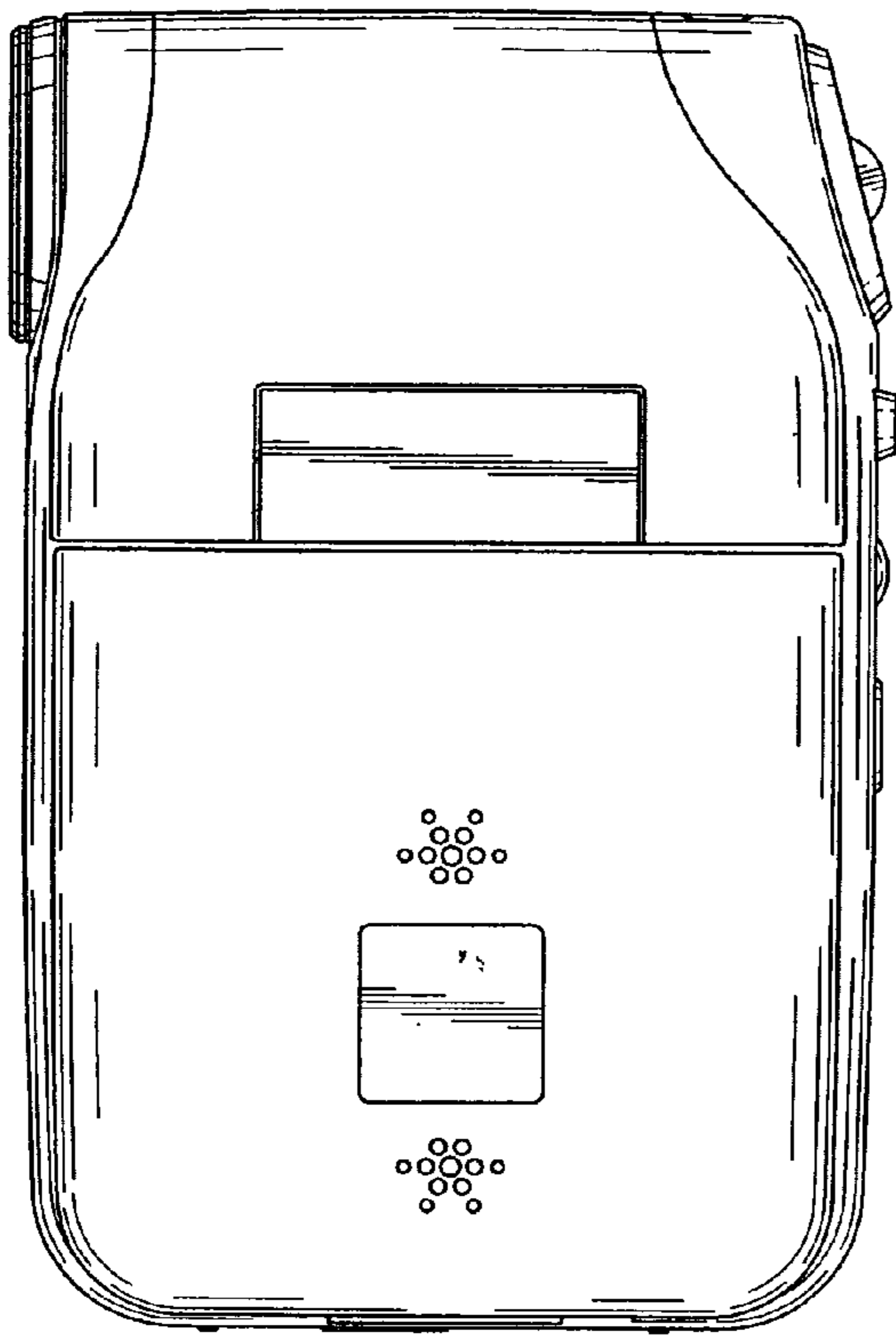


FIG. 2

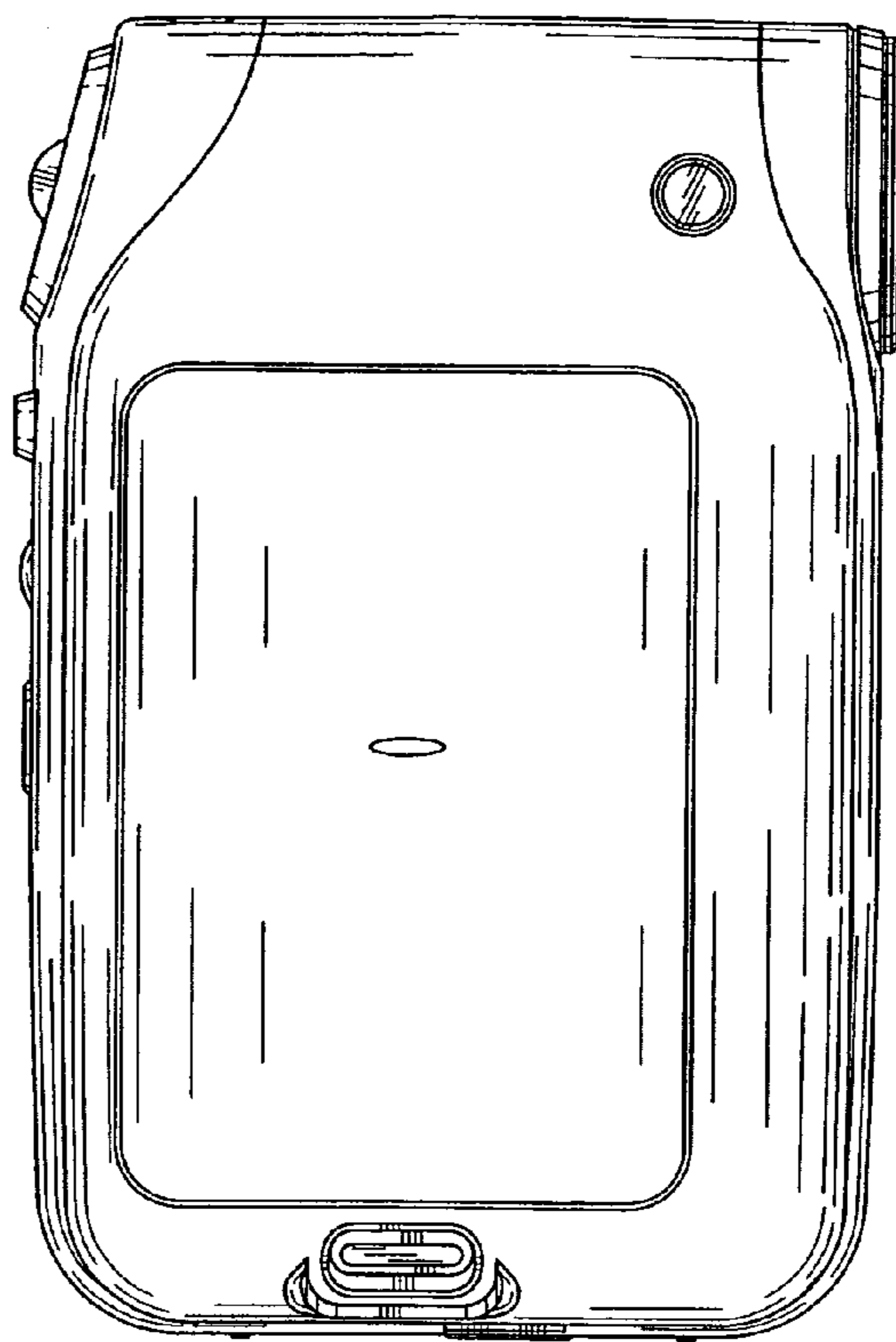


FIG. 3

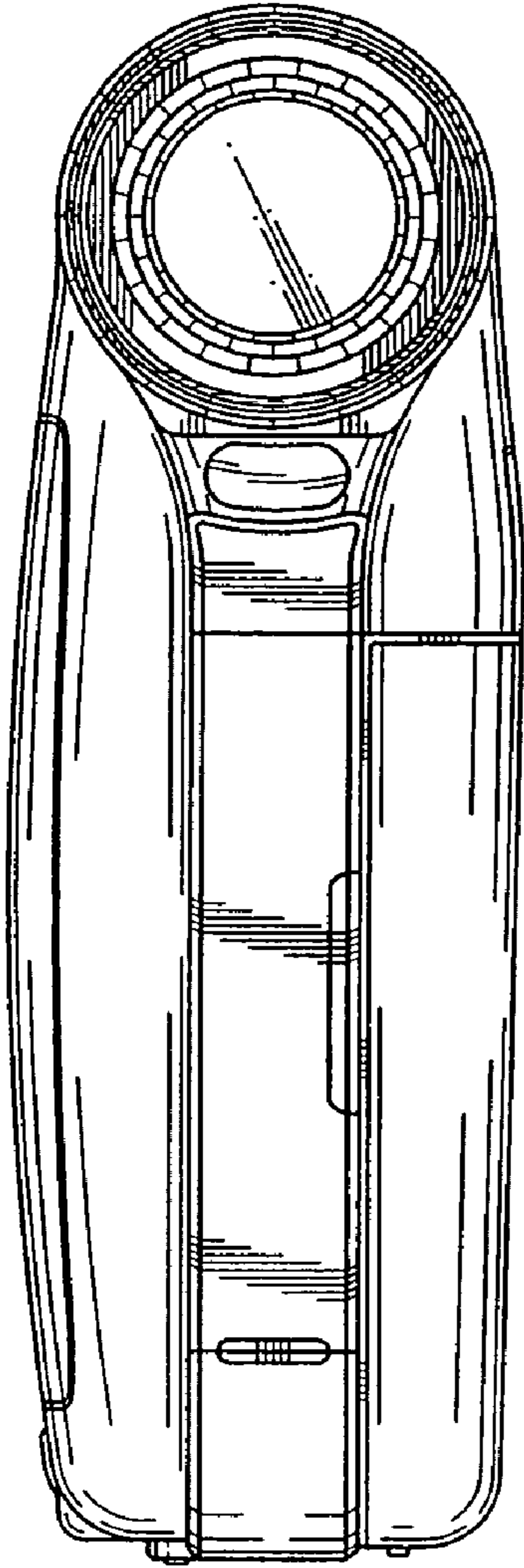


FIG. 4

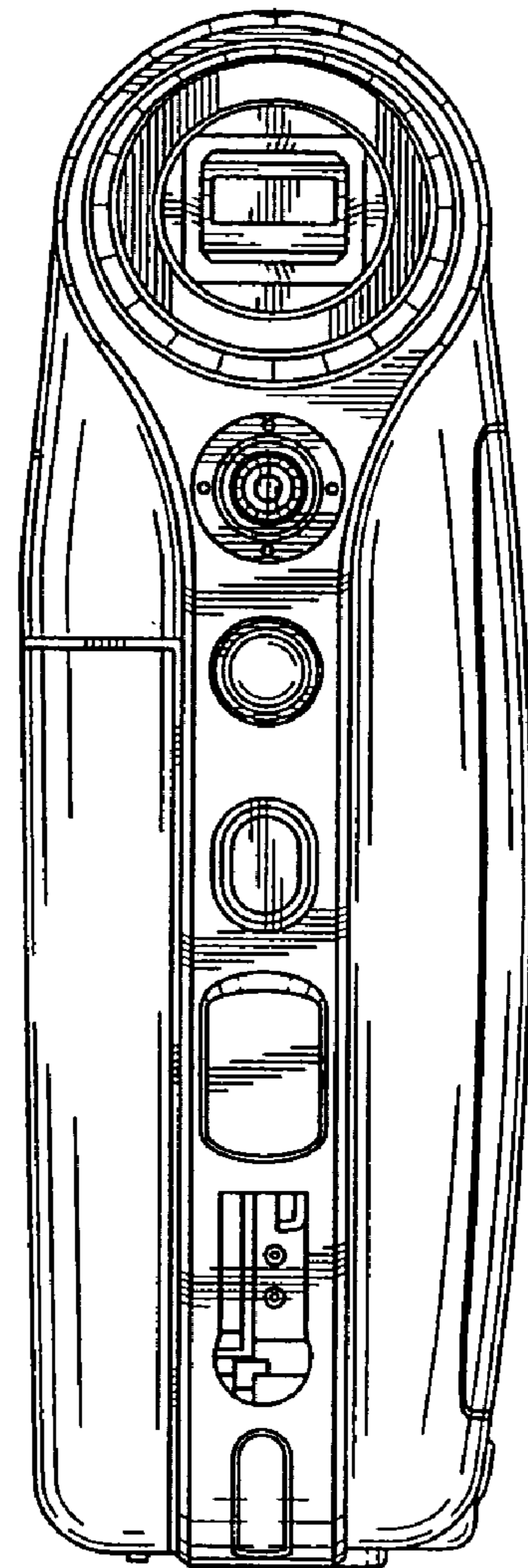


FIG. 5

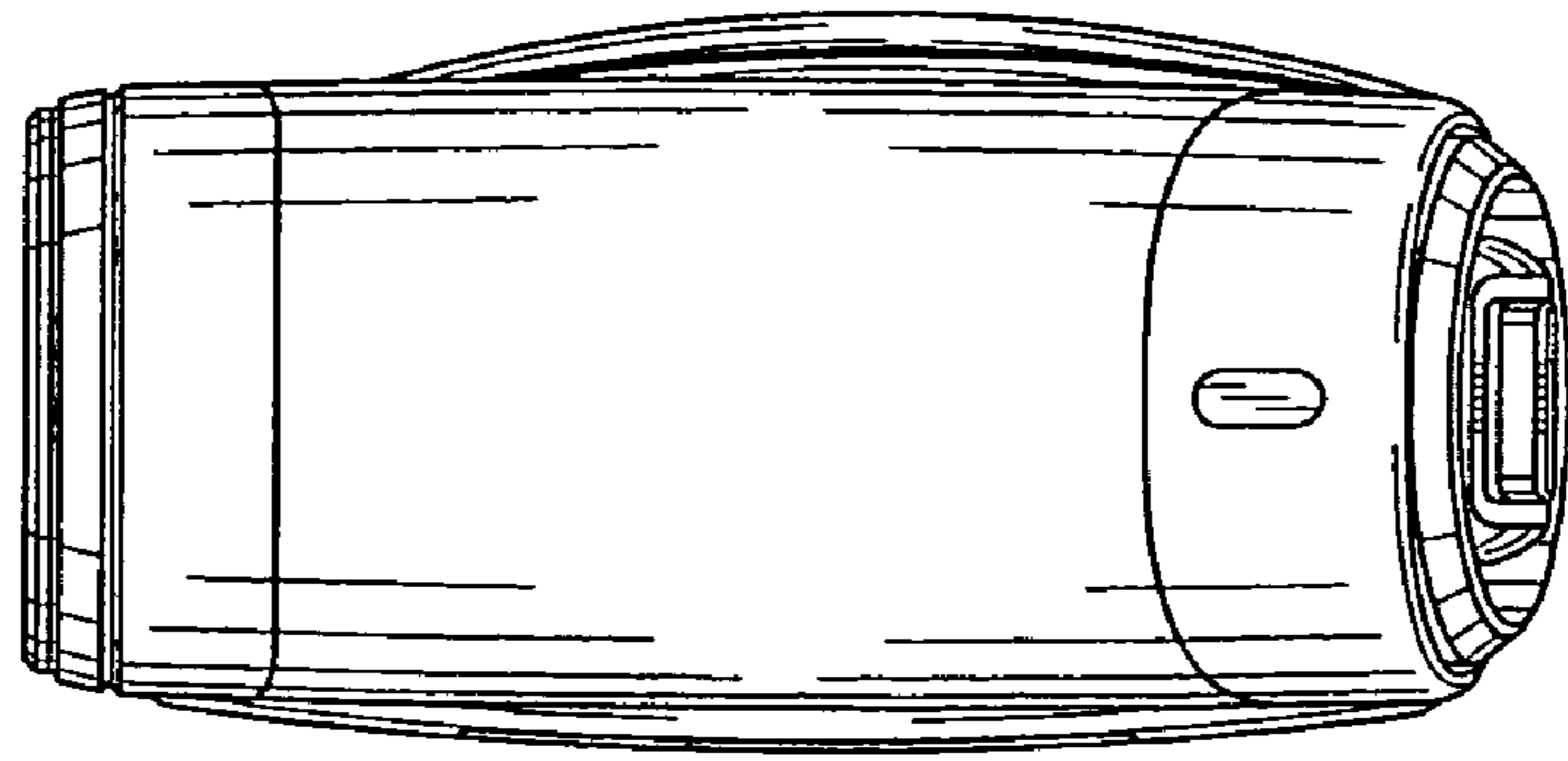


FIG. 6

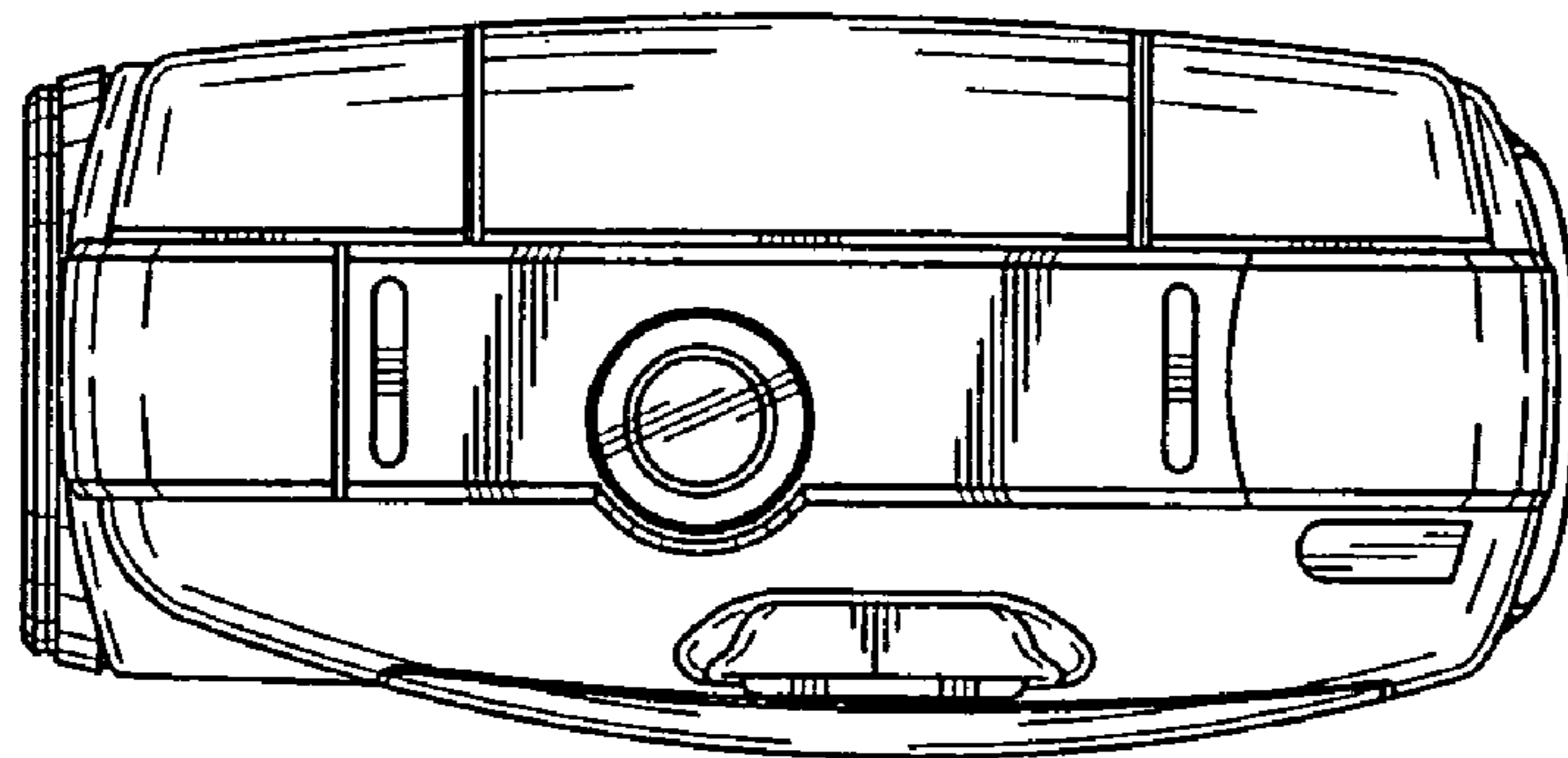


FIG. 7