



US00D554676S

(12) **United States Design Patent**
Kim

(10) **Patent No.:** **US D554,676 S**

(45) **Date of Patent:** **** Nov. 6, 2007**

(54) **CAMCORDER**

D488,495 S * 4/2004 Shimizu D16/202
D499,437 S * 12/2004 Miyamori et al. D16/202

(75) Inventor: **Nam Cheol Kim**, Seoul (KR)

* cited by examiner

(73) Assignee: **Samsung Electronics Co., Ltd.** (KR)

Primary Examiner—Ian Simmons

(**) Term: **14 Years**

Assistant Examiner—Wan Laymon

(21) Appl. No.: **29/226,596**

(74) *Attorney, Agent, or Firm*—Irving Keschner

(22) Filed: **Mar. 30, 2005**

(57) **CLAIM**

(51) **LOC (8) Cl.** **16-01**

The ornamental design for a camcorder, as shown.

(52) **U.S. Cl.** **D16/202; D16/205**

DESCRIPTION

(58) **Field of Classification Search** D16/200–205,
D16/206, 208, 218, 230, 231; 348/373–376;
358/906, 909.1; 396/535–541, 428, 429
See application file for complete search history.

FIG. 1 is a top, front perspective view of a camcorder showing my new design;

FIG. 2 is a front elevational view thereof;

(56) **References Cited**

U.S. PATENT DOCUMENTS

D335,500 S * 5/1993 Mori et al. D16/202
D407,097 S * 3/1999 Suzuki et al. D16/202
D408,428 S * 4/1999 Ninomiya et al. D16/202
D410,017 S * 5/1999 Goto et al. D16/202
D426,843 S * 6/2000 Tanaka D16/202
D435,575 S * 12/2000 Kanatani D16/202
D484,901 S * 1/2004 Lim D16/202

FIG. 3 is a rear elevational view thereof;

FIG. 4 is a left side elevational view thereof;

FIG. 5 is a right side elevational view thereof;

FIG. 6 is a top plan view thereof; and,

FIG. 7 is a bottom view thereof.

The broken lines in the Figures are for illustrative purposes only and form no part of the claimed design.

1 Claim, 7 Drawing Sheets

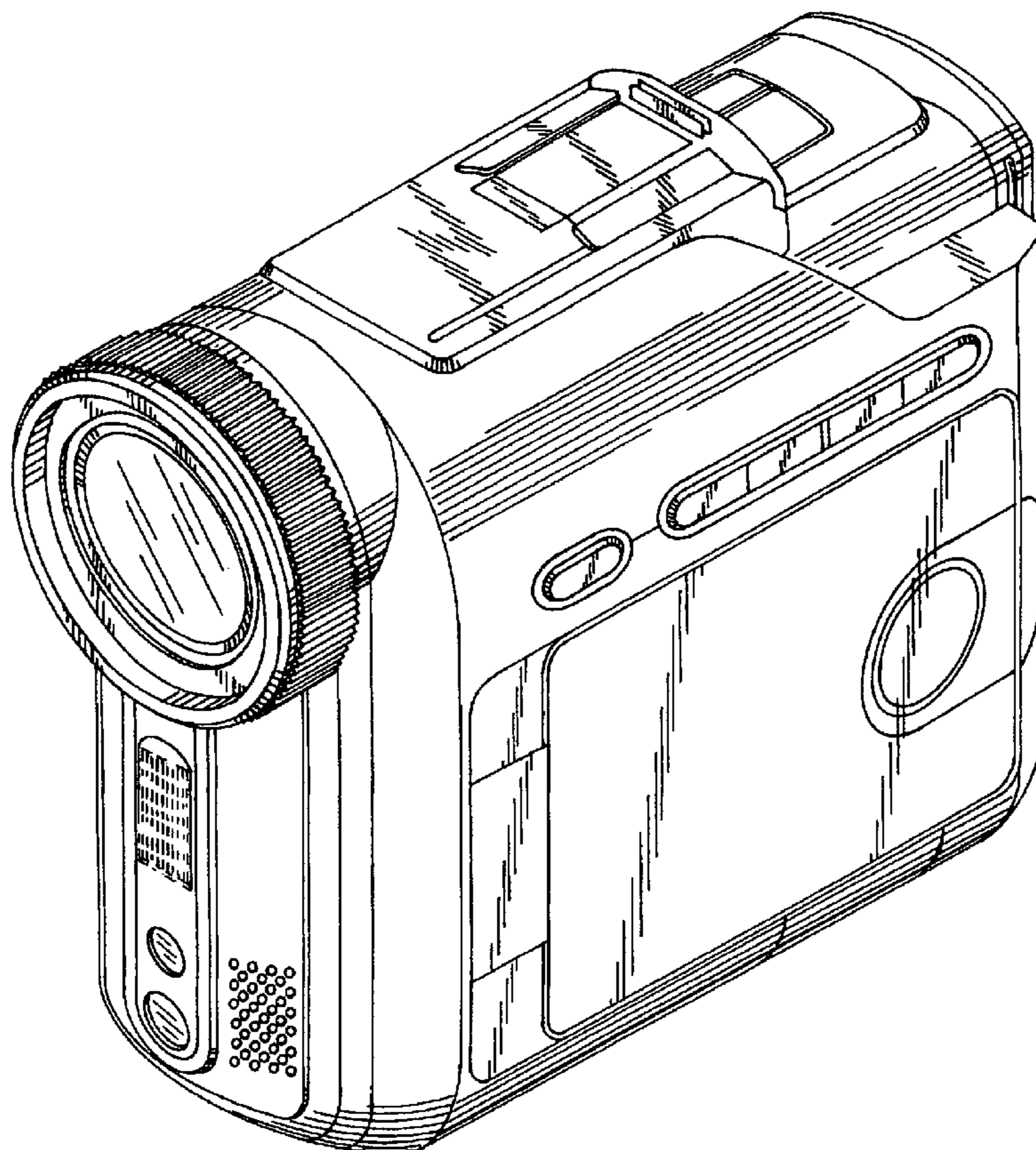


FIG. 1

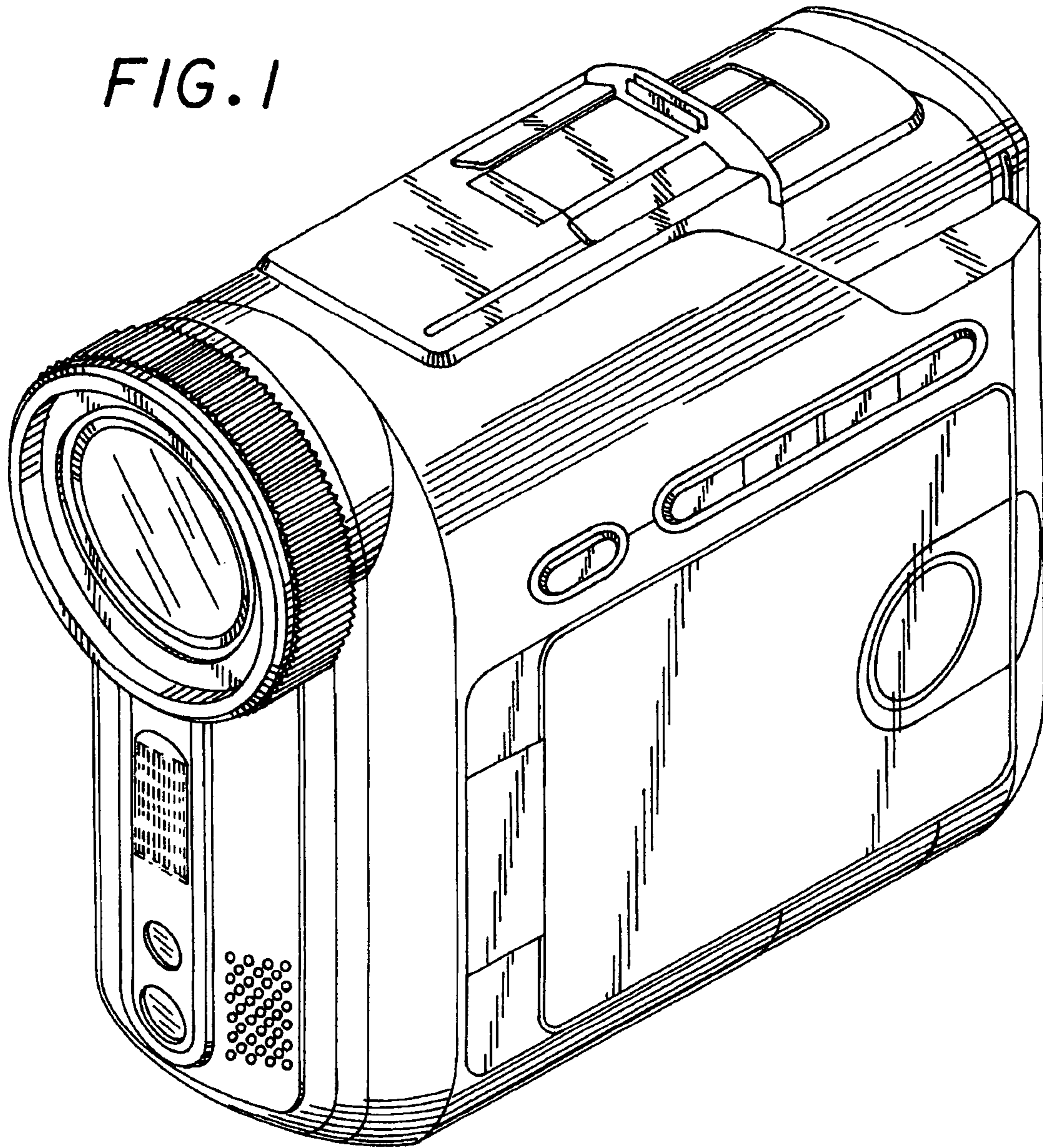


FIG. 2

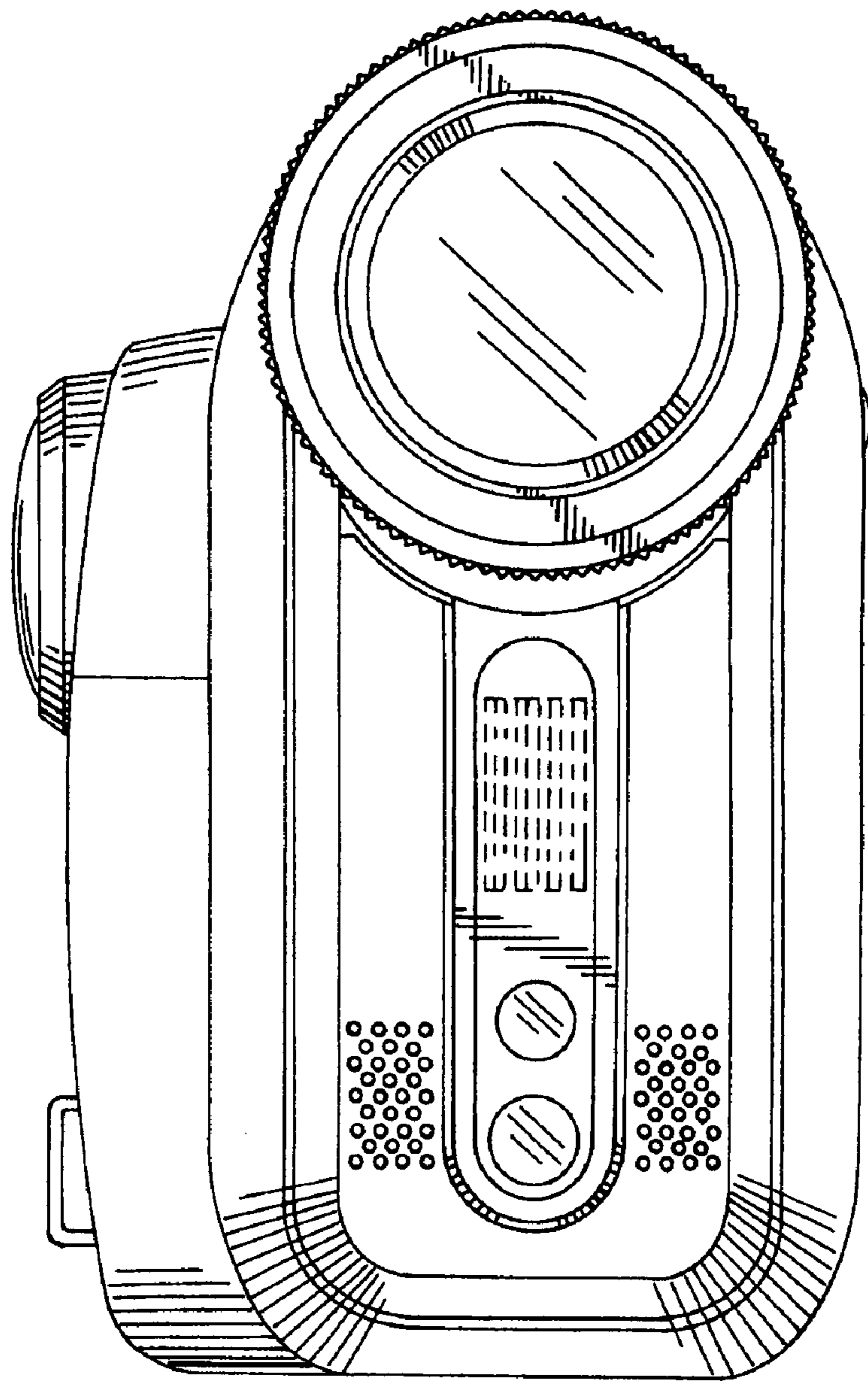
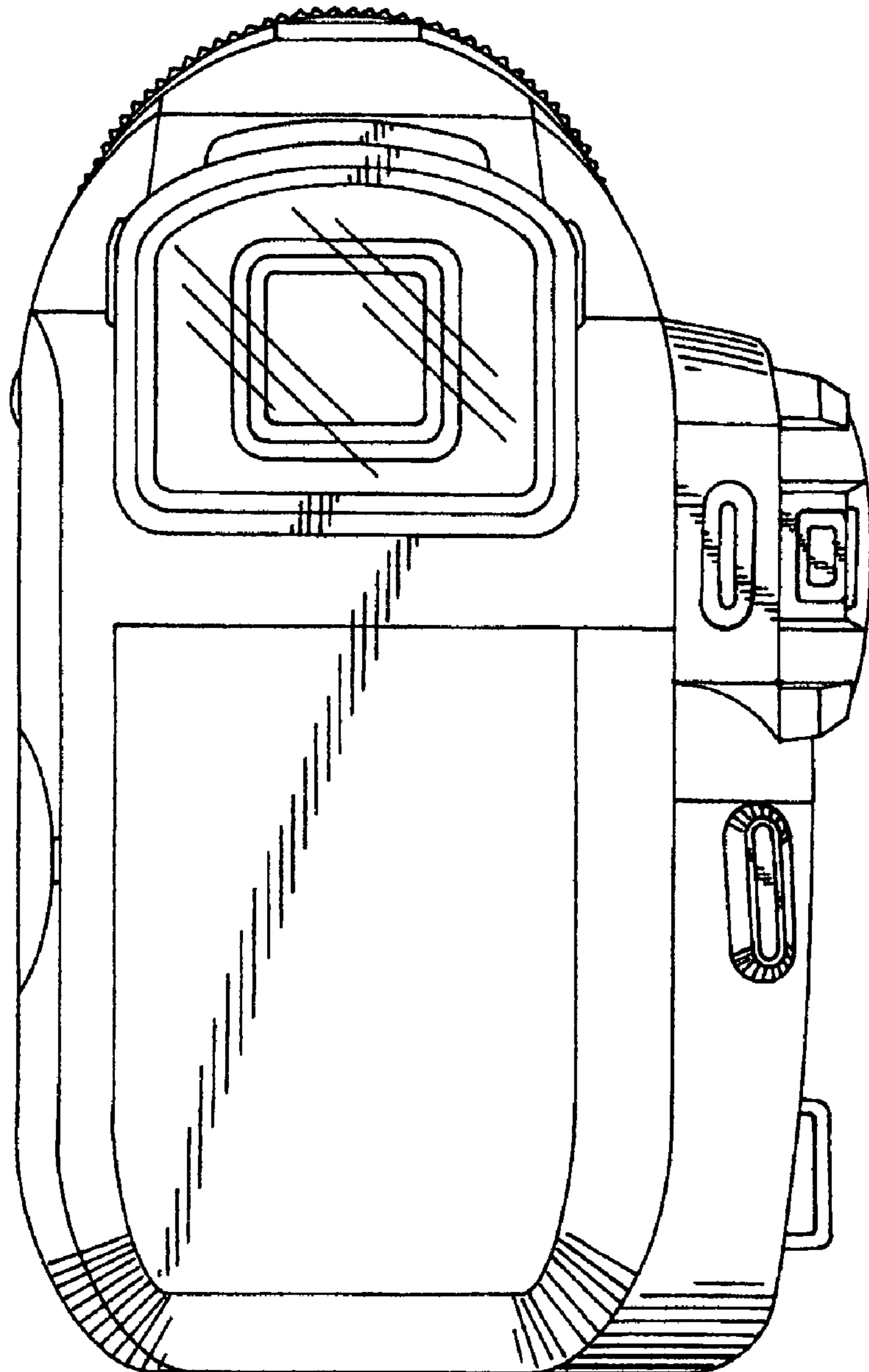


FIG. 3



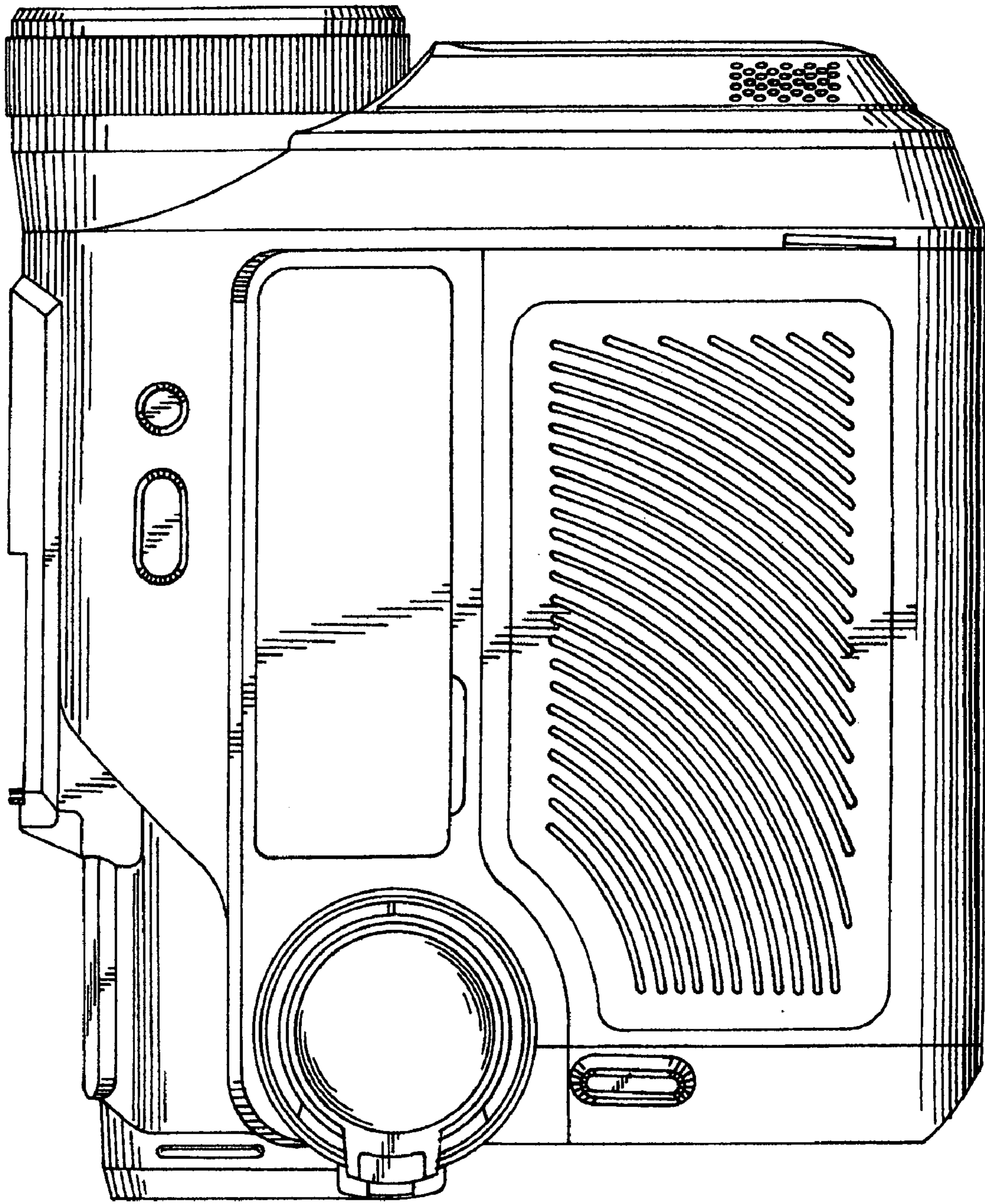


FIG. 4

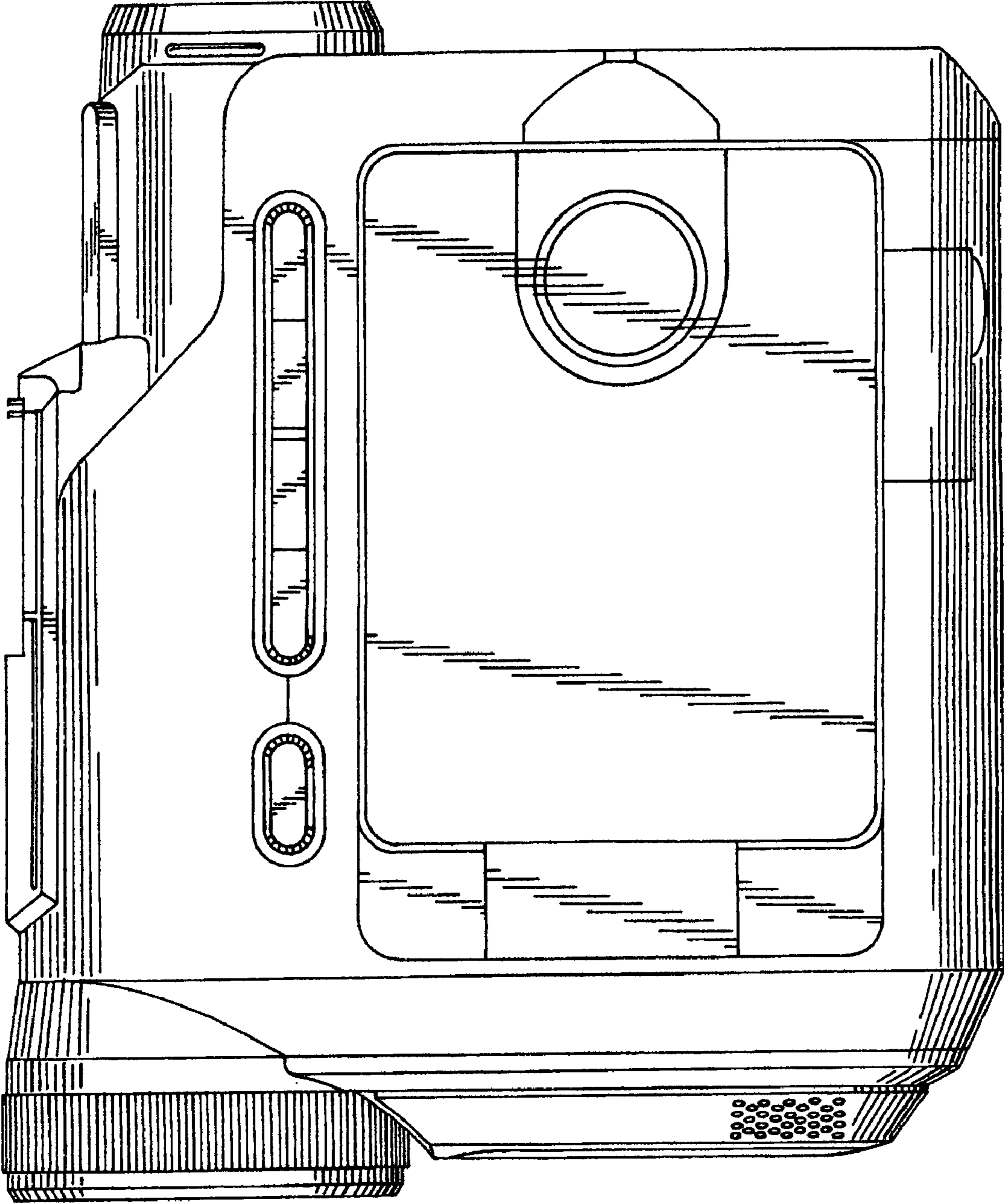


FIG. 5

FIG. 6

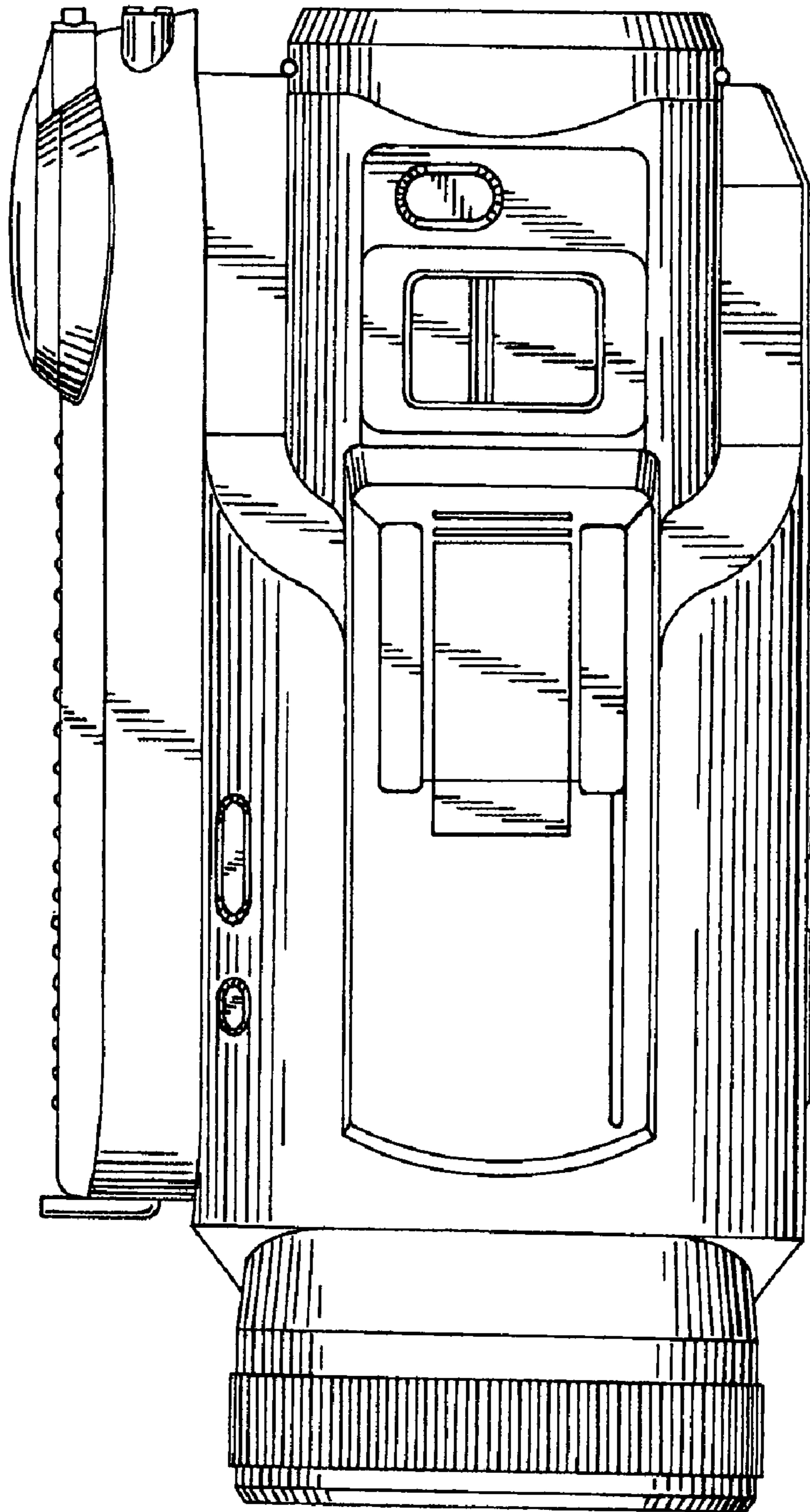


FIG. 7

