



US00D554673S

(12) **United States Design Patent**  
**Cheng**

(10) **Patent No.:** **US D554,673 S**

(45) **Date of Patent:** **\*\* Nov. 6, 2007**

(54) **HEATING CUTTER**

6,832,538 B1 \* 12/2004 Hwang ..... 83/809

(76) Inventor: **Tsung-Yi Cheng**, 235 Chung-Ho Box  
8-24, Taipei (TW)

\* cited by examiner

*Primary Examiner*—Antoine D. Davis

*Assistant Examiner*—Patricia Palasik

(\*\*) Term: **14 Years**

(21) Appl. No.: **29/270,640**

(57) **CLAIM**

(22) Filed: **Dec. 29, 2006**

The ornamental design for a heating cutter, as shown and described.

(51) **LOC (8) Cl.** ..... **15-09**

(52) **U.S. Cl.** ..... **D15/133; D15/139**

(58) **Field of Classification Search** ..... D15/127,  
D15/133, 134, 139; 30/392, 394; 83/170,  
83/176, 200.1, 651.1, 788, 809, 810-813;  
125/16.01; 264/46.5

See application file for complete search history.

**DESCRIPTION**

FIG. 1 is a perspective view of a heating cutter showing my new design;

FIG. 2 is front elevational view thereof;

FIG. 3 is rear elevational view thereof;

FIG. 4 is a left side view thereof;

FIG. 5 is a right side view thereof;

FIG. 6 is a top plan view thereof; and

FIG. 7 is a bottom plan view thereof; and,

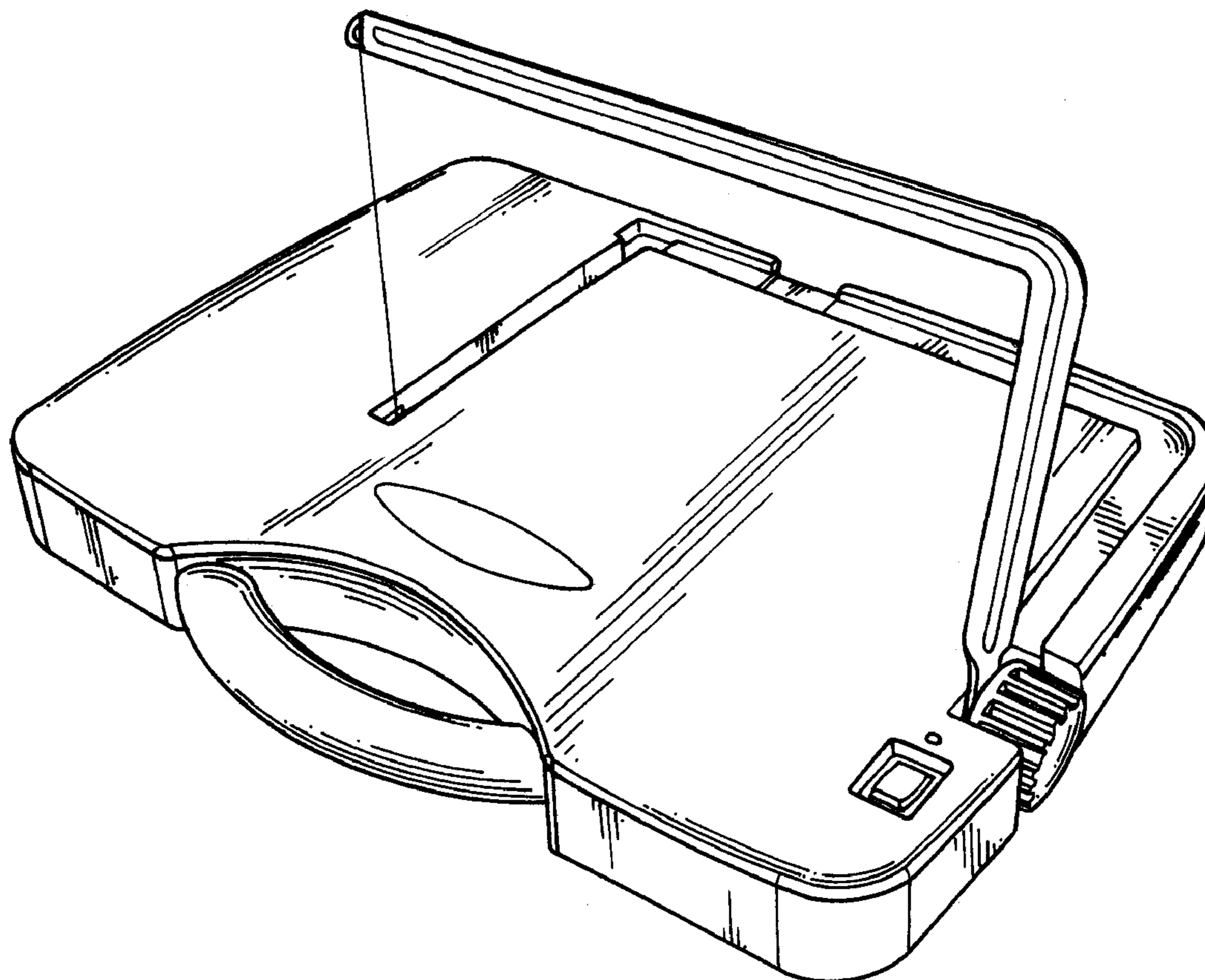
FIG. 8 shows the present invention in an alternate condition of use, in that, the supporting frame and the wire are received in the recess.

(56) **References Cited**

**U.S. PATENT DOCUMENTS**

2,656,602	A *	10/1953	Taylor	.....	83/651.1
2,692,328	A *	10/1954	Jaye	.....	83/170
3,757,617	A *	9/1973	Fabbri	.....	83/651.1
D327,486	S *	6/1992	Watanabe	.....	D15/133
D339,271	S *	9/1993	Burris	.....	D7/673
5,943,775	A *	8/1999	Lanahan et al.	.....	83/171
6,125,733	A *	10/2000	Hwang	.....	83/809

**1 Claim, 7 Drawing Sheets**



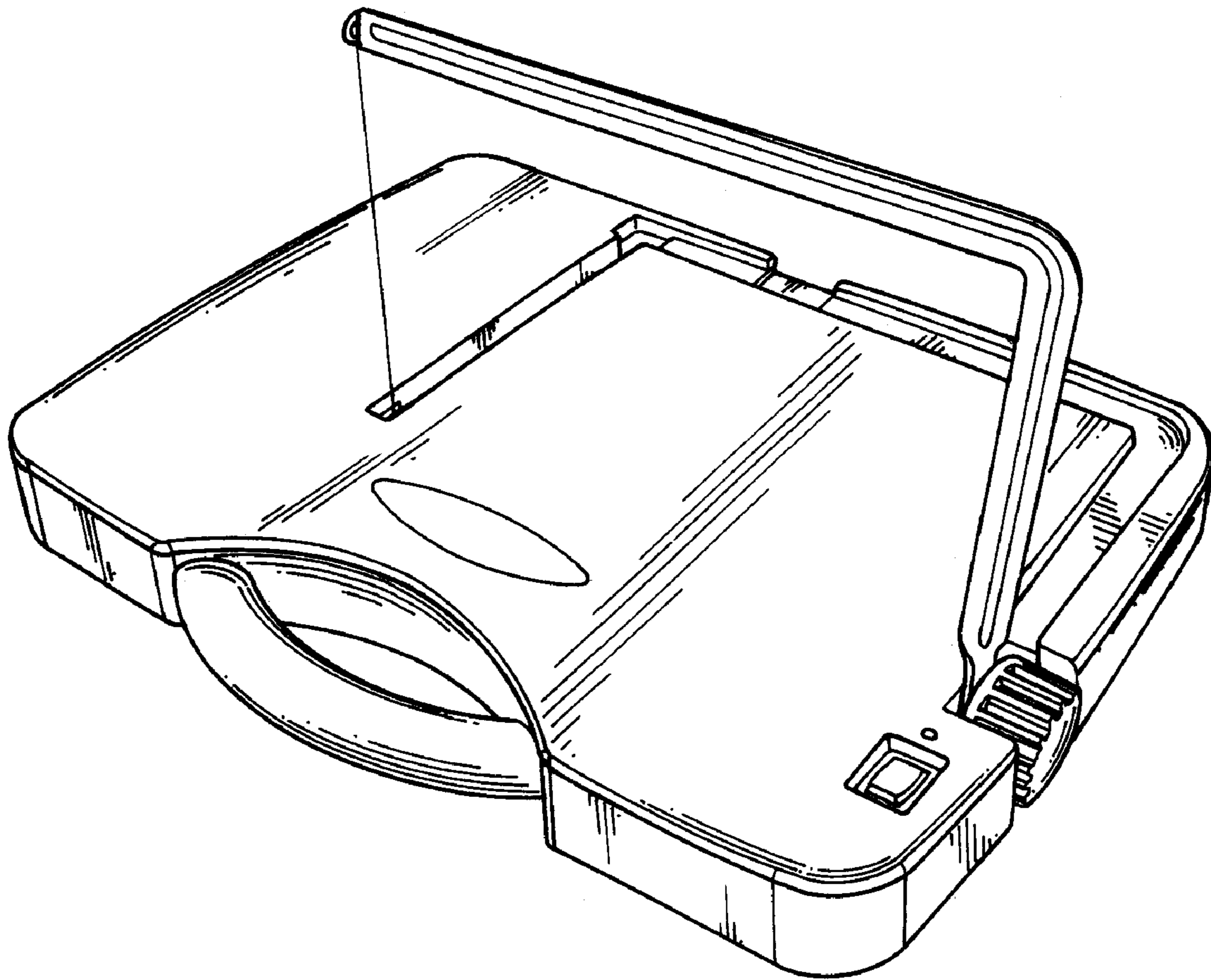


FIG. 1

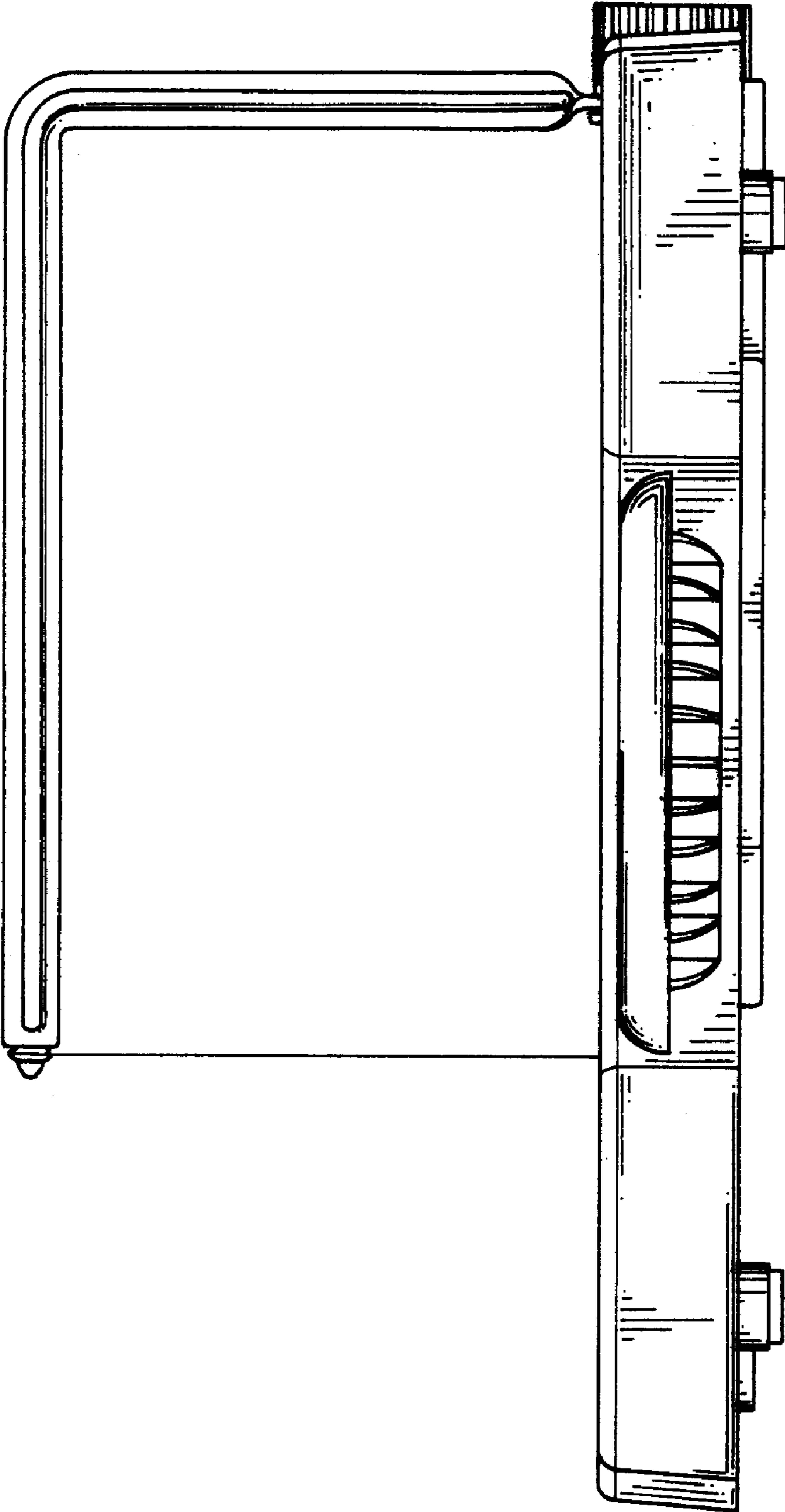


FIG. 2

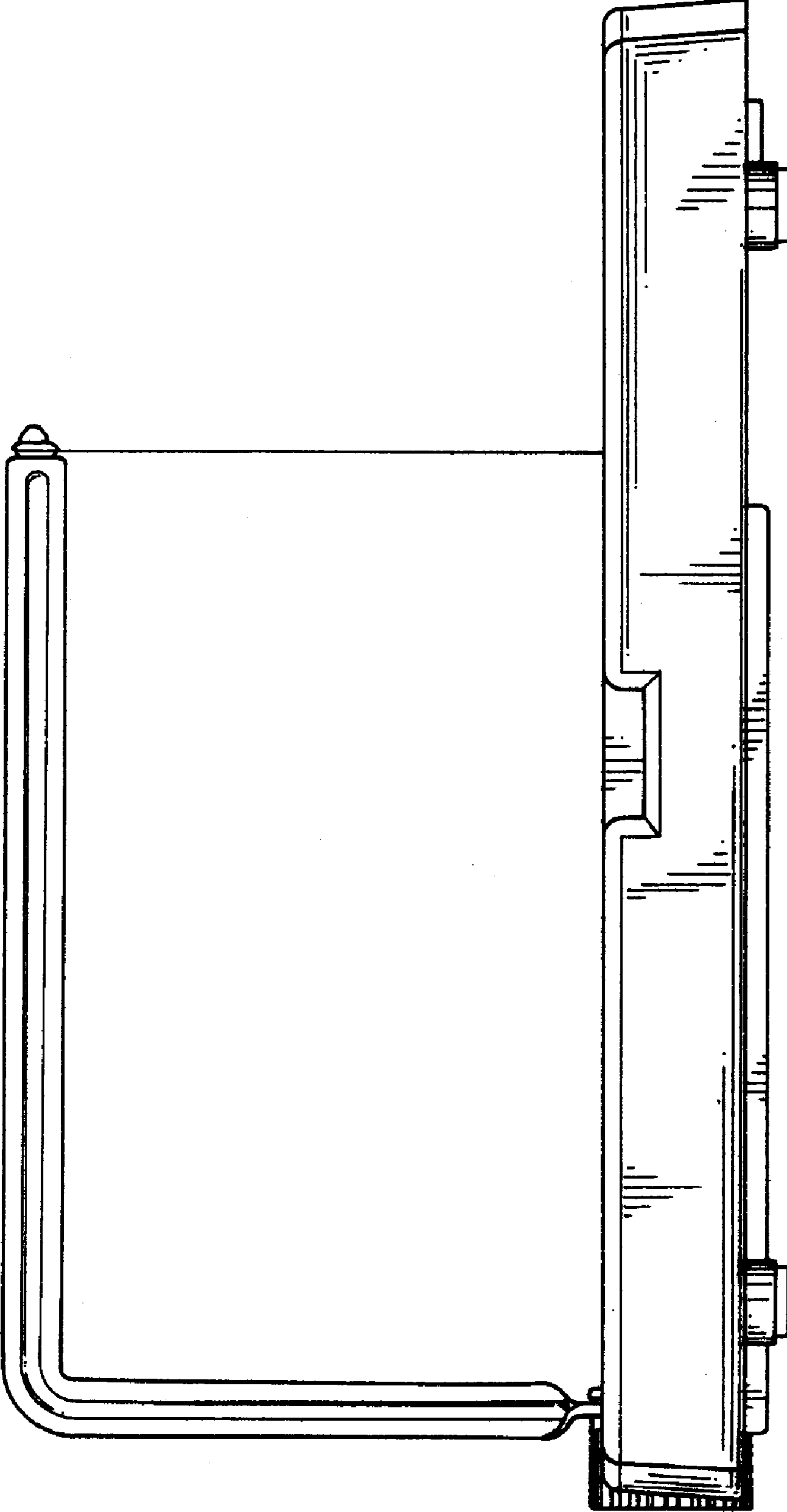


FIG. 3

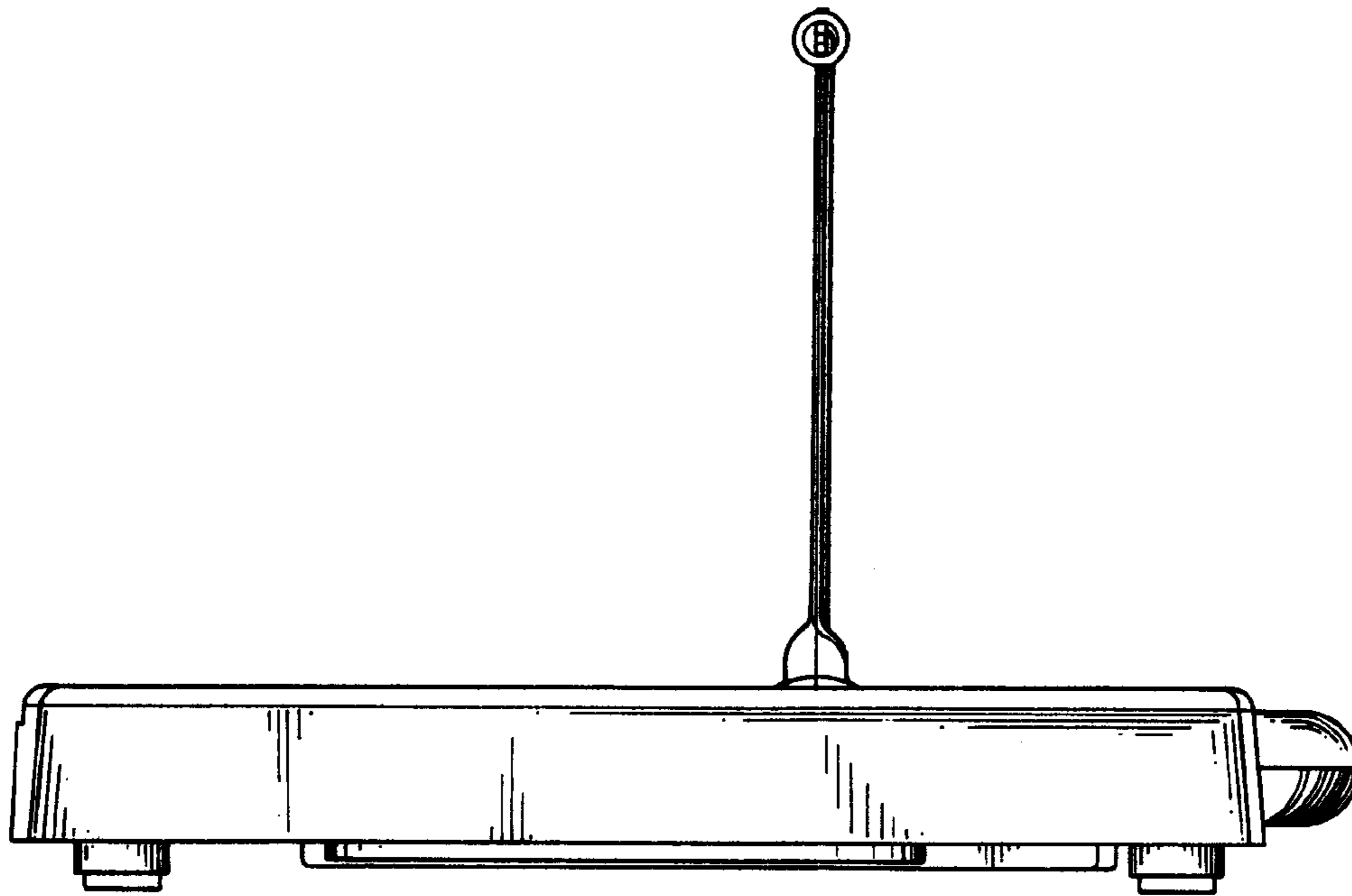


FIG. 4

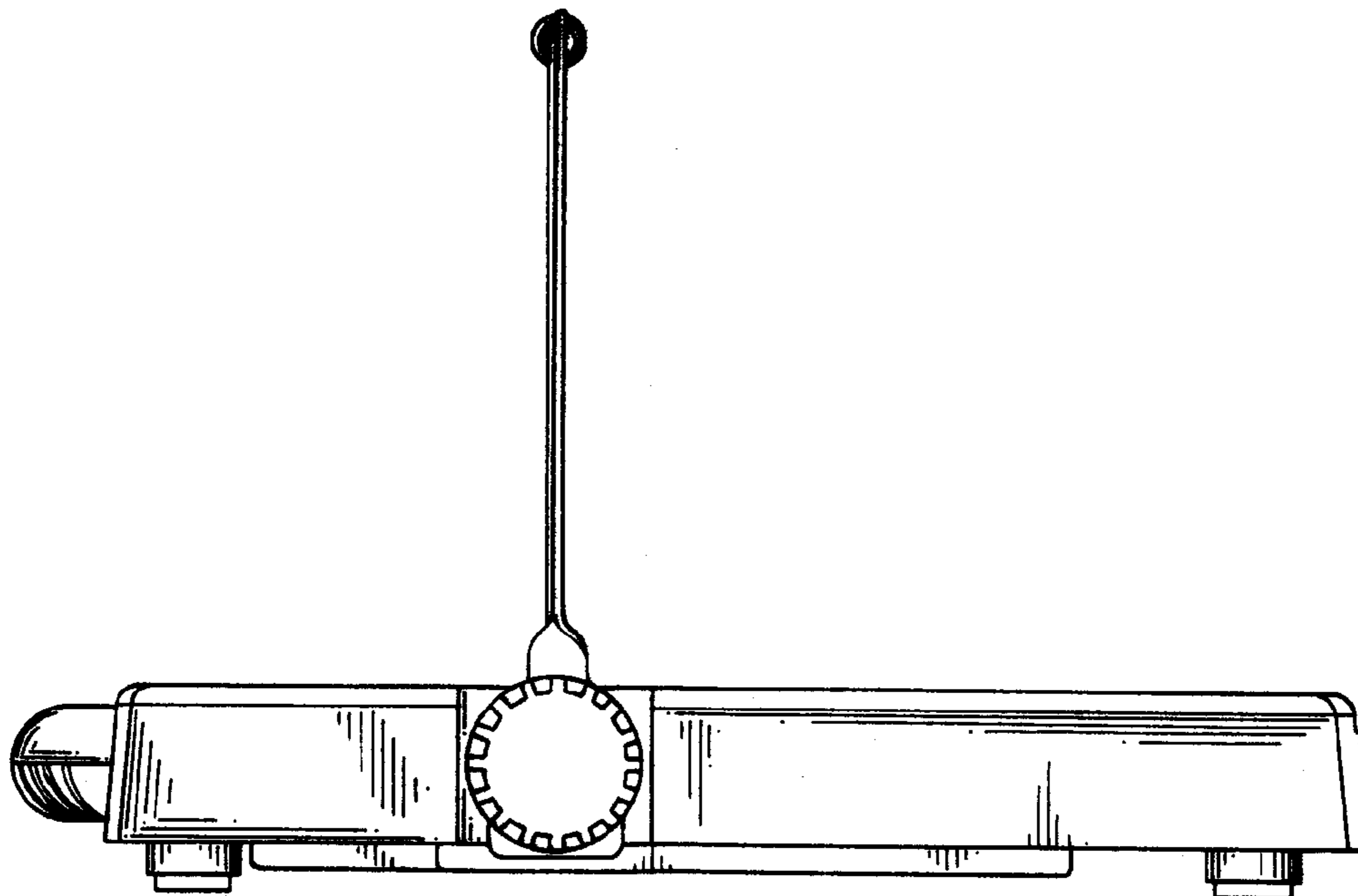


FIG. 5

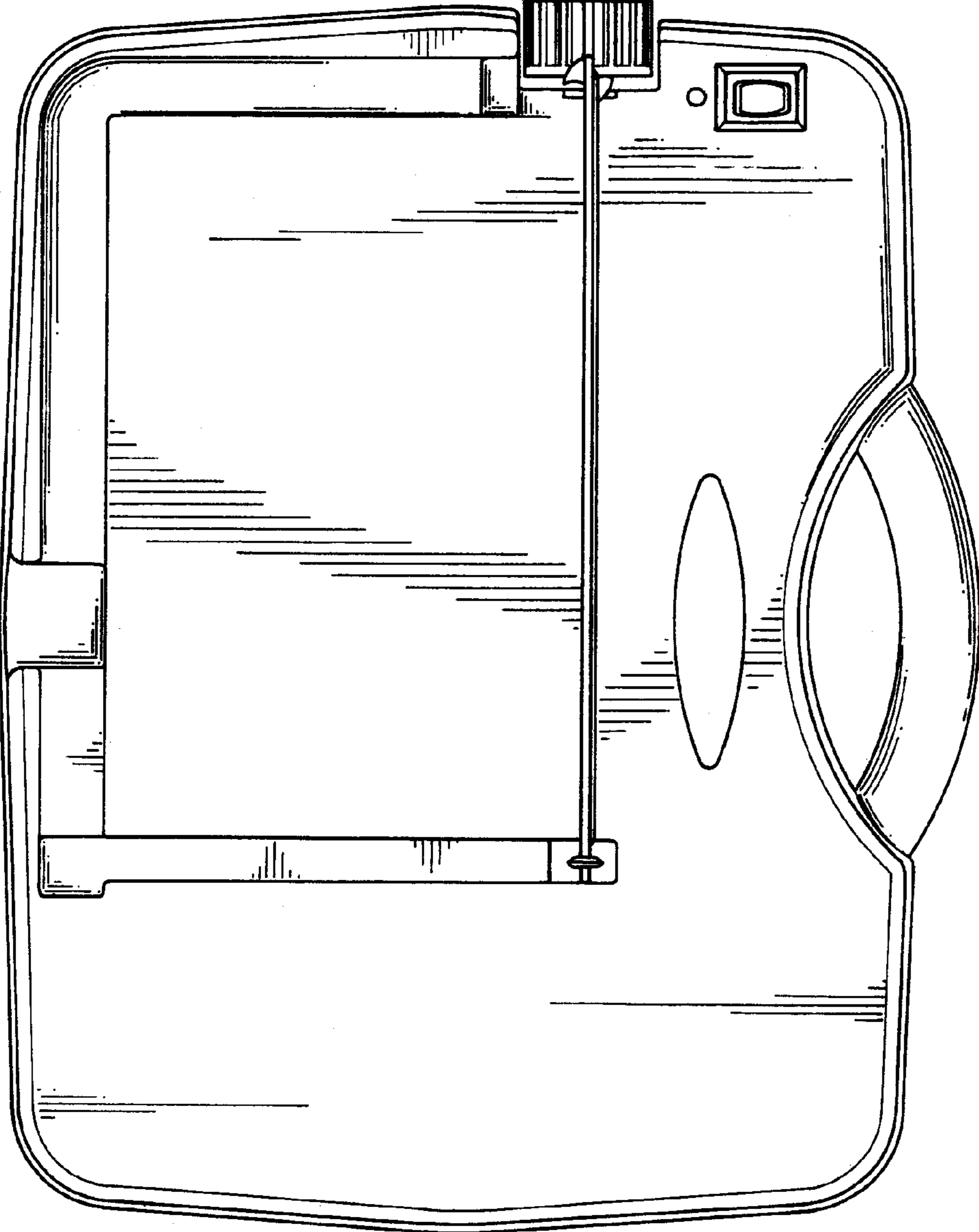


FIG. 6



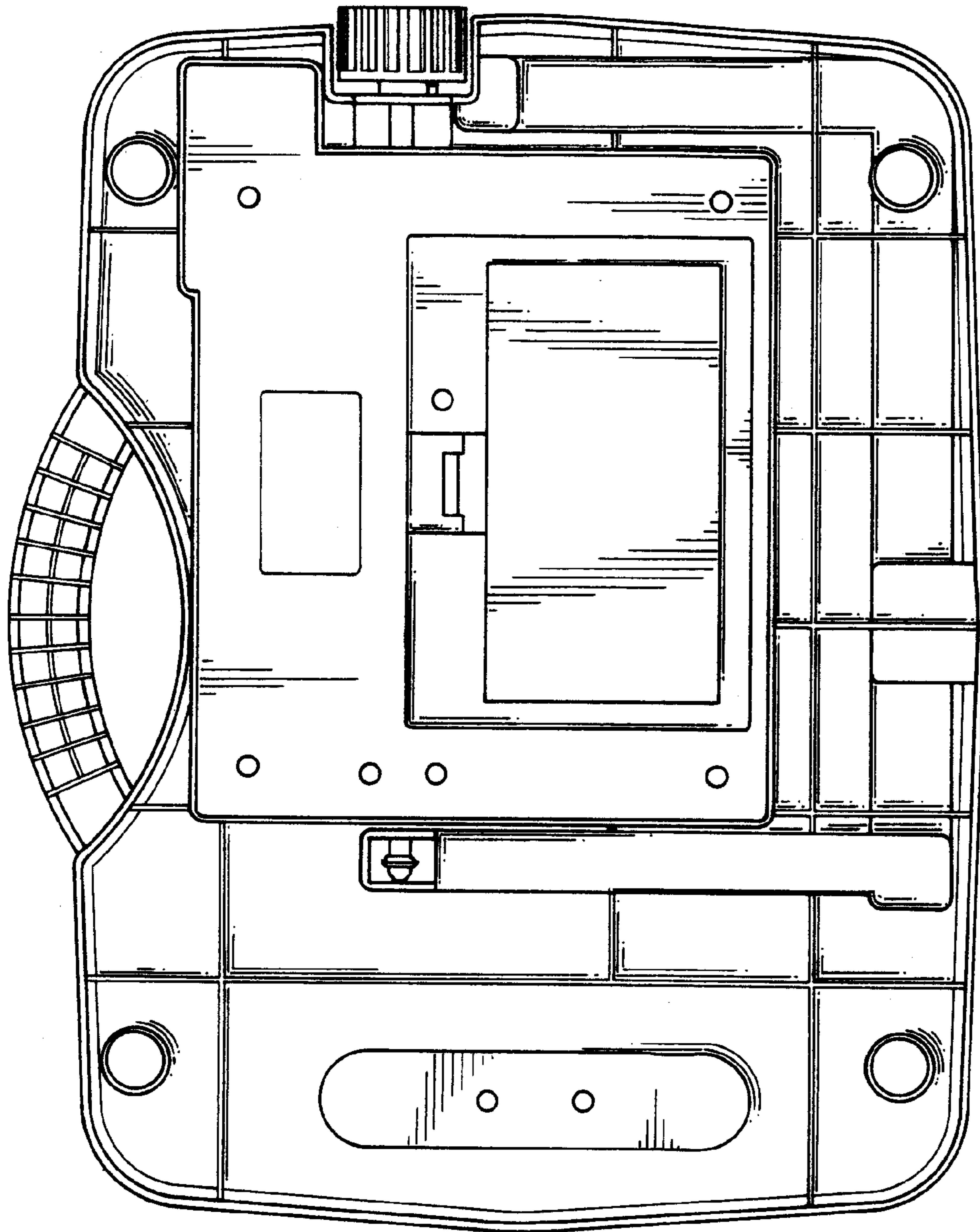


FIG. 7

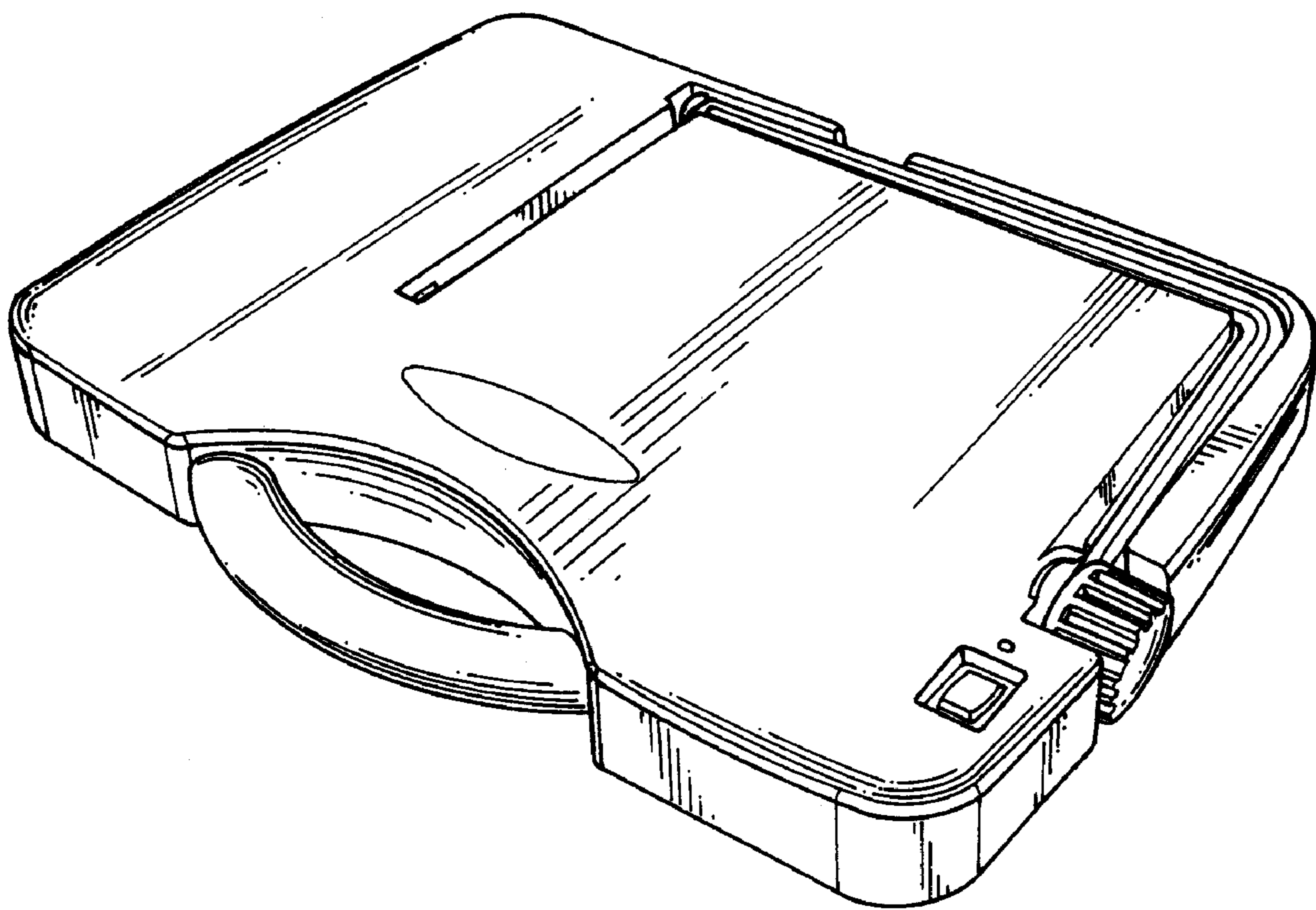


FIG. 8