



US00D554672S

(12) **United States Design Patent** (10) **Patent No.:** **US D554,672 S**
Welsh et al. (45) **Date of Patent:** **** Nov. 6, 2007**

(54) **TABLE SAW FENCE**

(75) Inventors: **Robert P. Welsh**, Hunt Valley, MD (US); **David E. Duncanson**, W. Newbury, MA (US); **Mark A. Nichols**, Boston, MA (US); **Scott E. Stropkay**, Carlisle, MA (US)

(73) Assignee: **Black & Decker Inc.**, Newark, DE (US)

(**) Term: **14 Years**

(21) Appl. No.: **29/262,623**

(22) Filed: **Jul. 7, 2006**

Related U.S. Application Data

(63) Continuation of application No. 29/237,347, filed on Aug. 30, 2005, now Pat. No. Des. 527,032, which is a continuation of application No. 29/214,902, filed on Oct. 12, 2004, now Pat. No. Des. 514,604, and a continuation of application No. 29/183,330, filed on Jun. 10, 2003, now Pat. No. Des. 498,773, which is a continuation of application No. 29/162,688, filed on Jun. 19, 2002, now Pat. No. Des. 479,538, which is a continuation of application No. 29/144,360, filed on Jun. 29, 2001, now Pat. No. Des. 461,456, which is a continuation of application No. 29/132,607, filed on Nov. 9, 2000, now Pat. No. Des. 447,497, which is a continuation of application No. 29/121,606, filed on Apr. 11, 2000, now Pat. No. Des. 440,239, which is a continuation of application No. 29/111,726, filed on Oct. 1, 1999, now Pat. No. Des. 427,214, which is a continuation of application No. 29/103,366, filed on Apr. 13, 1999, now Pat. No. Des. 422,290.

(52) **U.S. Cl.** **D15/133**

(58) **Field of Classification Search** D15/133;
83/432, 435, 468.7, 468.3, 477, 477.2, 478,
83/438, 468, 471.2; 144/287, 286.5, 253.1,
144/286.1

See application file for complete search history.

(56) **References Cited**

U.S. PATENT DOCUMENTS

D449,318 S * 10/2001 Schoene et al. D15/133
6,584,698 B1 * 7/2003 Liu 33/468

* cited by examiner

Primary Examiner—Antoine D. Davis

(74) *Attorney, Agent, or Firm*—Adan Ayala

(57) **CLAIM**

The ornamental design for a table saw fence, as shown and described.

DESCRIPTION

FIG. 1 is a front elevational view of a table saw fence according to the invention;

FIG. 2 is a rear elevational view thereof;

FIG. 3 is a left side elevational view thereof;

FIG. 4 is a right side elevational view thereof;

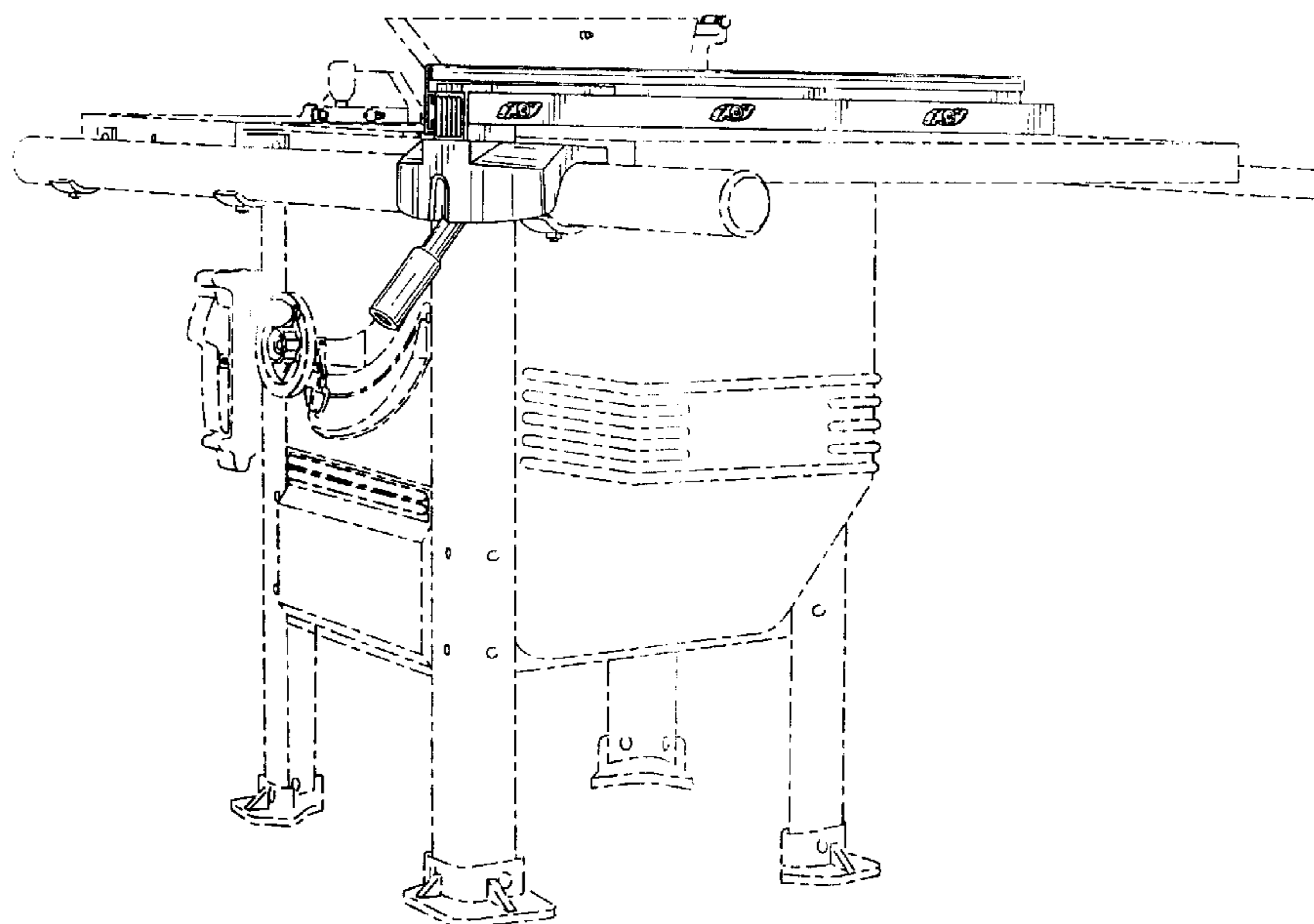
FIG. 5 is a top plan view thereof; and,

FIG. 6 is a front perspective view thereof.

The broken line showing of a table saw is for illustrative purposes only and forms no part of the claimed design.

(51) **LOC (8) Cl.** **15-09**

1 Claim, 6 Drawing Sheets



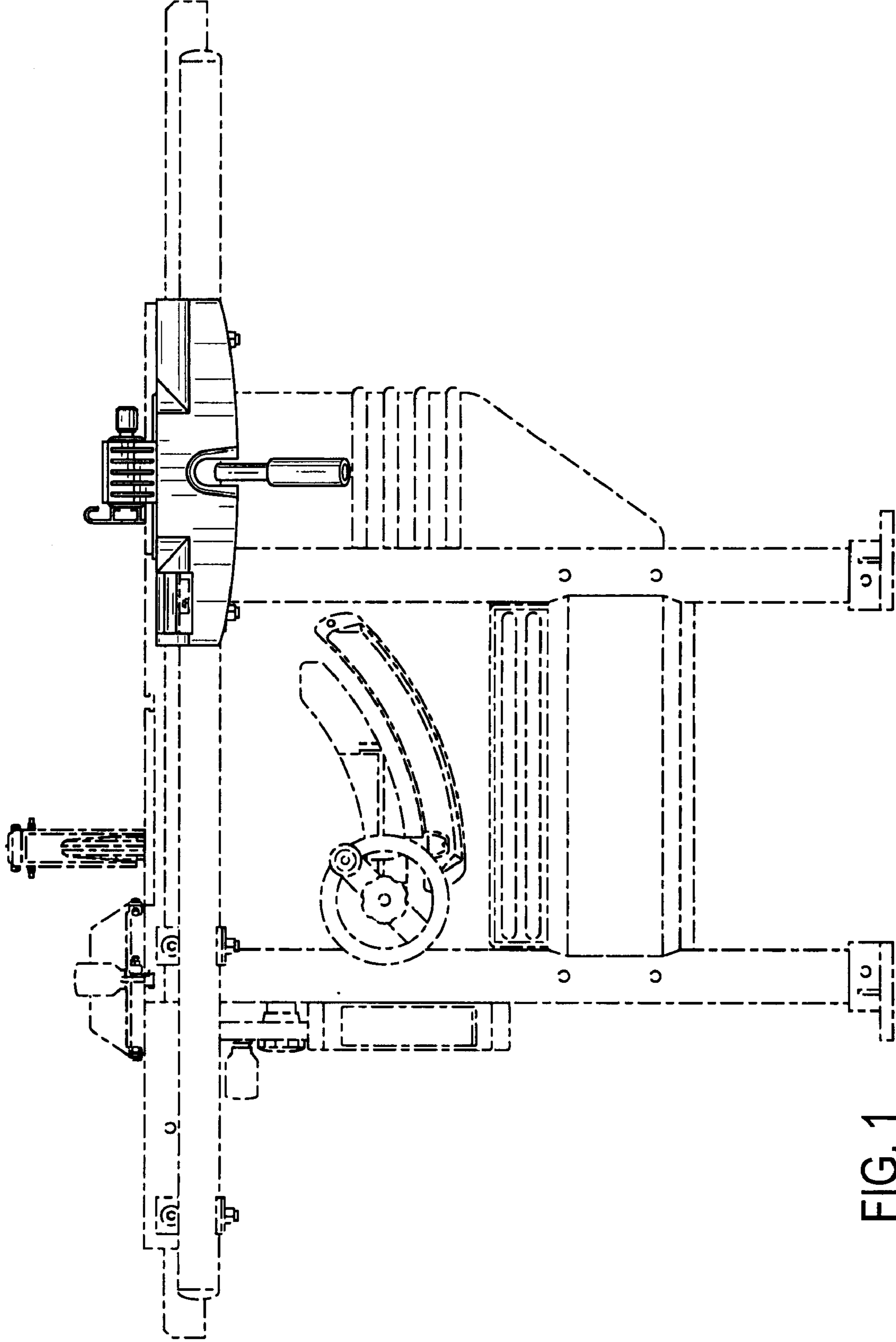


FIG. 1

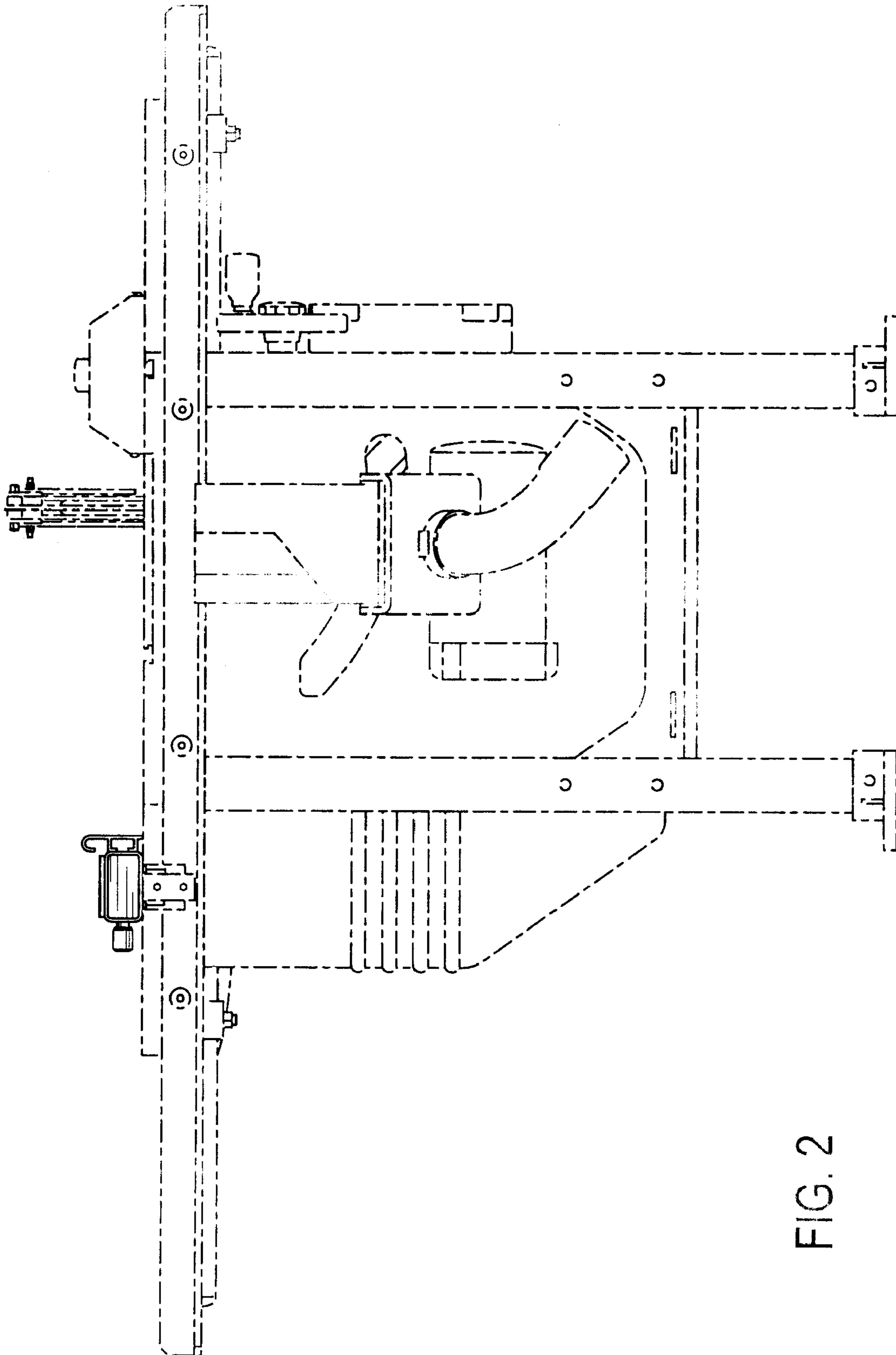


FIG. 2

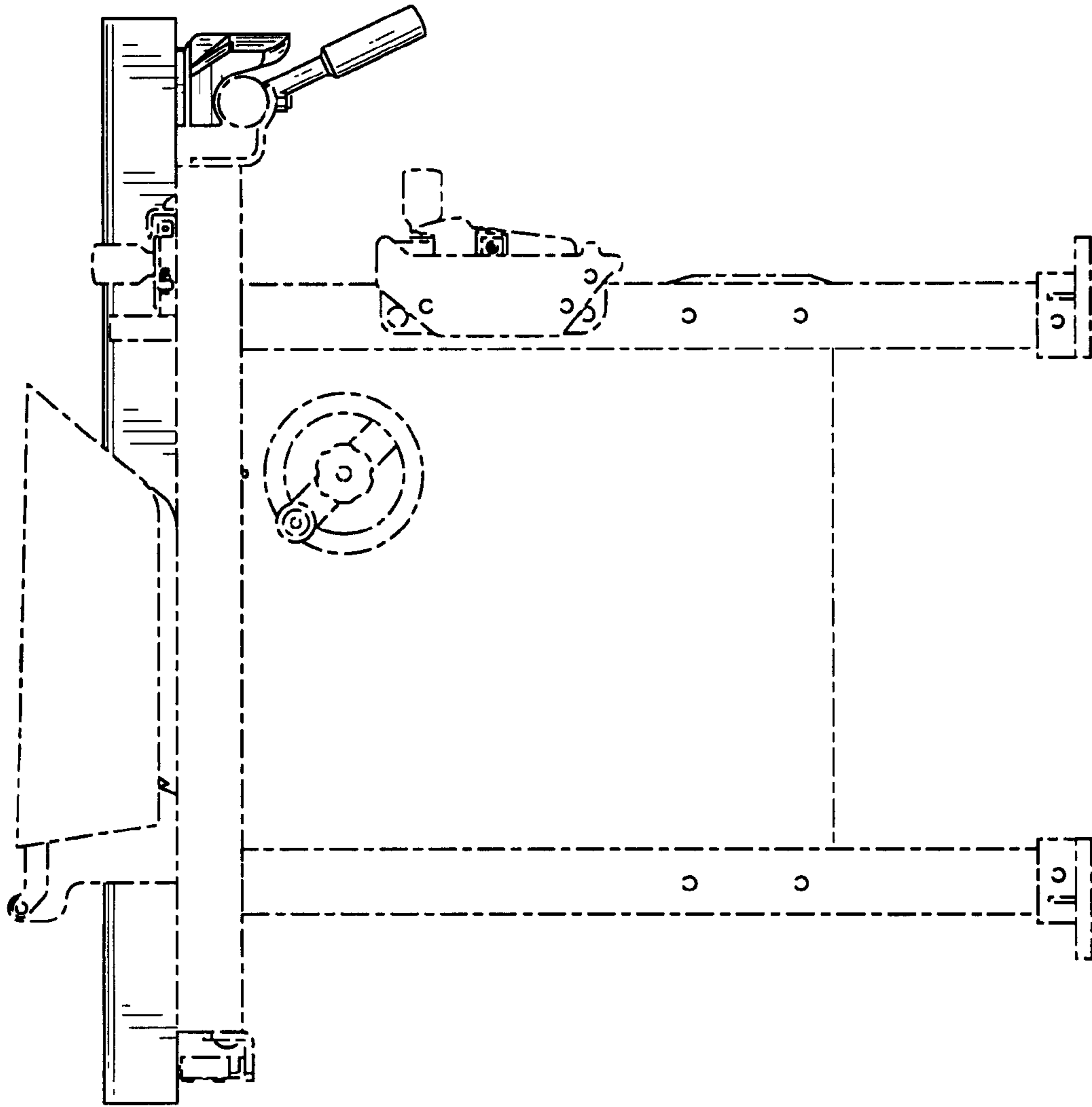


FIG. 3

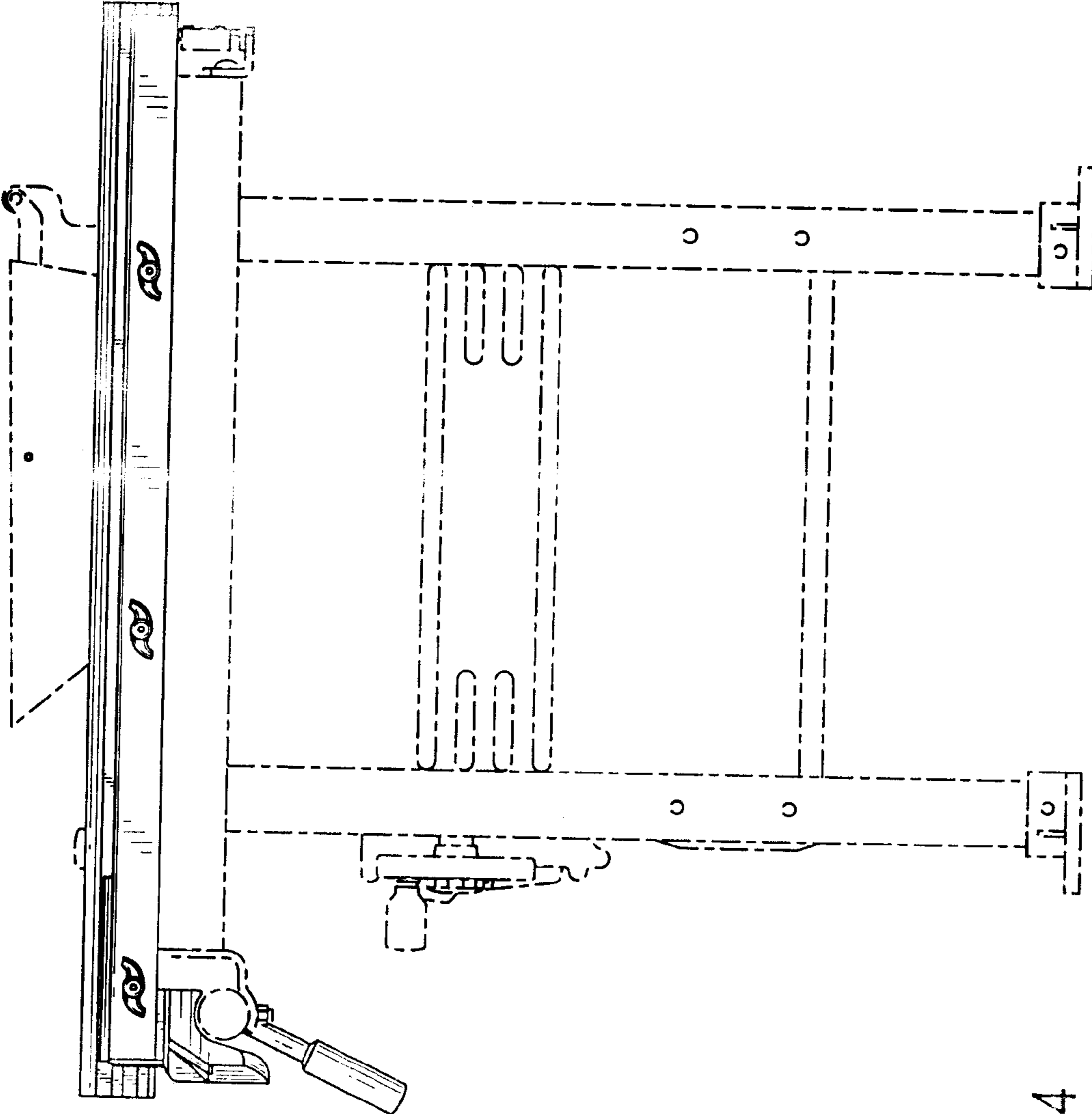


FIG. 4

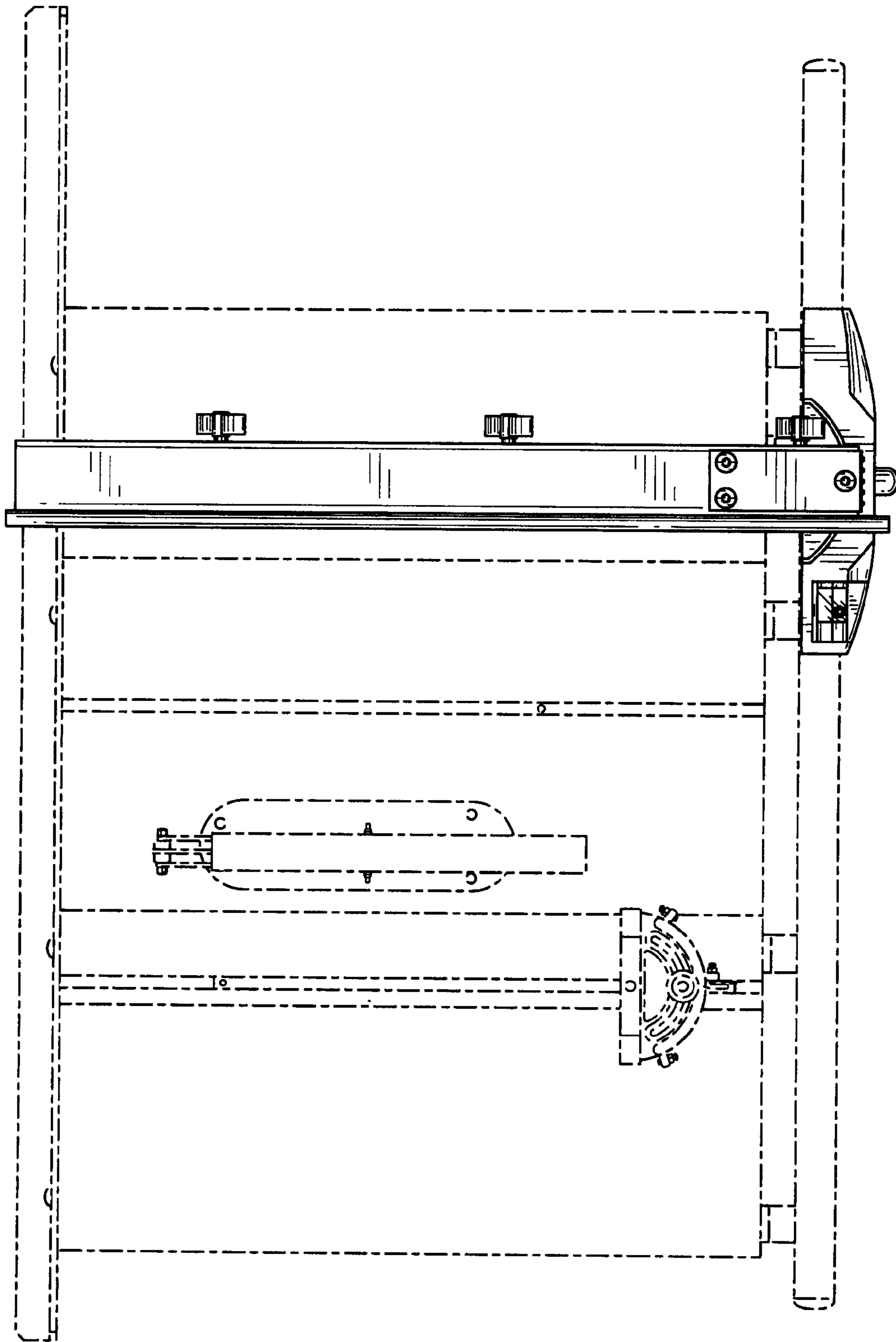


FIG. 5

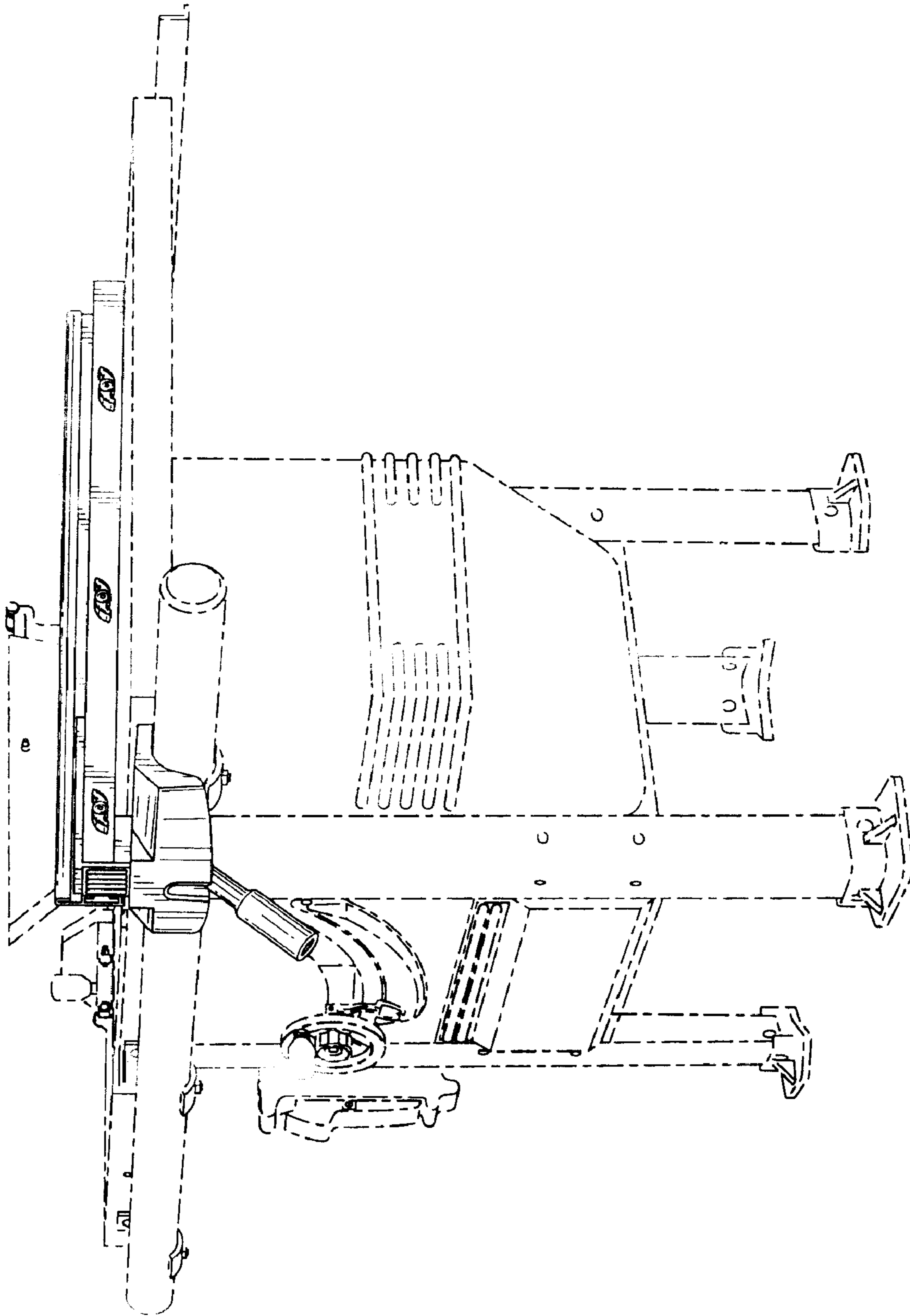


FIG. 6