



US00D554669S

(12) **United States Design Patent**
Crookes et al.

(10) **Patent No.:** **US D554,669 S**

(45) **Date of Patent:** **** Nov. 6, 2007**

(54) **HOOD WITH GRILL ELEMENT**

(75) Inventors: **William E. Crookes**, Ann Arbor, MI
(US); **Michael Deininger**, Pinckney, MI
(US)

(73) Assignee: **Deere & Company**, Moline, IL (US)

(**) Term: **14 Years**

(21) Appl. No.: **29/260,960**

(22) Filed: **Jun. 5, 2006**

(30) **Foreign Application Priority Data**

Jan. 24, 2006 (EP) 000468335

(51) **LOC (8) Cl.** **15-03**

(52) **U.S. Cl.** **D15/31**

(58) **Field of Classification Search** D15/10,
D15/11, 13-17, 22-26, 31, 33; 180/89.1,
180/900, 89.12; 56/13.3, 13.4, 15.8, 15.9,
56/16.1, 16.7, 202, 255, 320.1

See application file for complete search history.

(56) **References Cited**

U.S. PATENT DOCUMENTS

D297,330 S * 8/1988 Monehaie et al. D15/31
D381,341 S * 7/1997 Goebert et al. D15/31
D383,470 S * 9/1997 Westimayer et al. D15/31
D389,492 S * 1/1998 Schmidt et al. D15/31

D413,905 S * 9/1999 Schmidt et al. D15/31
D451,106 S * 11/2001 Crookes et al. D15/31
D458,944 S * 6/2002 Crookes et al. D15/31
D465,500 S * 11/2002 Workman et al. D15/31
D474,206 S * 5/2003 Kuwae D15/31
D483,383 S * 12/2003 Crookes et al. D15/31
D488,488 S * 4/2004 Montgomery et al. D15/31
D488,489 S * 4/2004 Montgomery et al. D15/31
D495,344 S * 8/2004 Farlow et al. D15/31
D495,345 S * 8/2004 Farlow et al. D15/31
D497,370 S * 10/2004 Katoh D15/31
D512,079 S * 11/2005 Farlow et al. D15/31
D512,445 S * 12/2005 Farlow et al. D15/31

* cited by examiner

Primary Examiner—Mitchell Siegel
Assistant Examiner—Mark Goodwin

(57) **CLAIM**

The ornamental design for a hood with grill element, design as shown and described.

DESCRIPTION

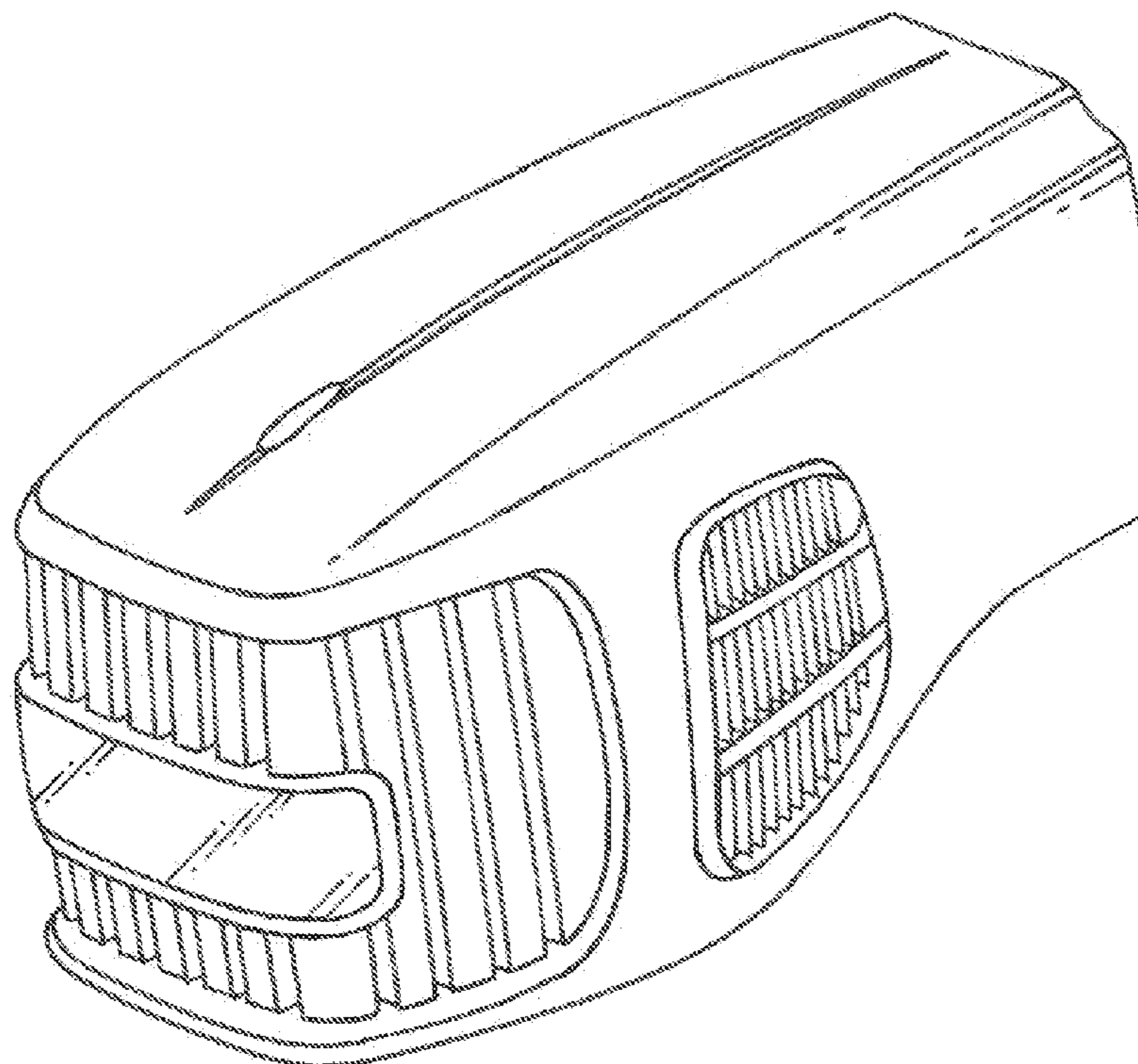
FIG. 1 is a front side perspective view of the hood with grill element showing our new design.

FIG. 2 is a front view thereof.

FIG. 3 is a side view thereof; and,

FIG. 4 is a top view thereof.

1 Claim, 4 Drawing Sheets



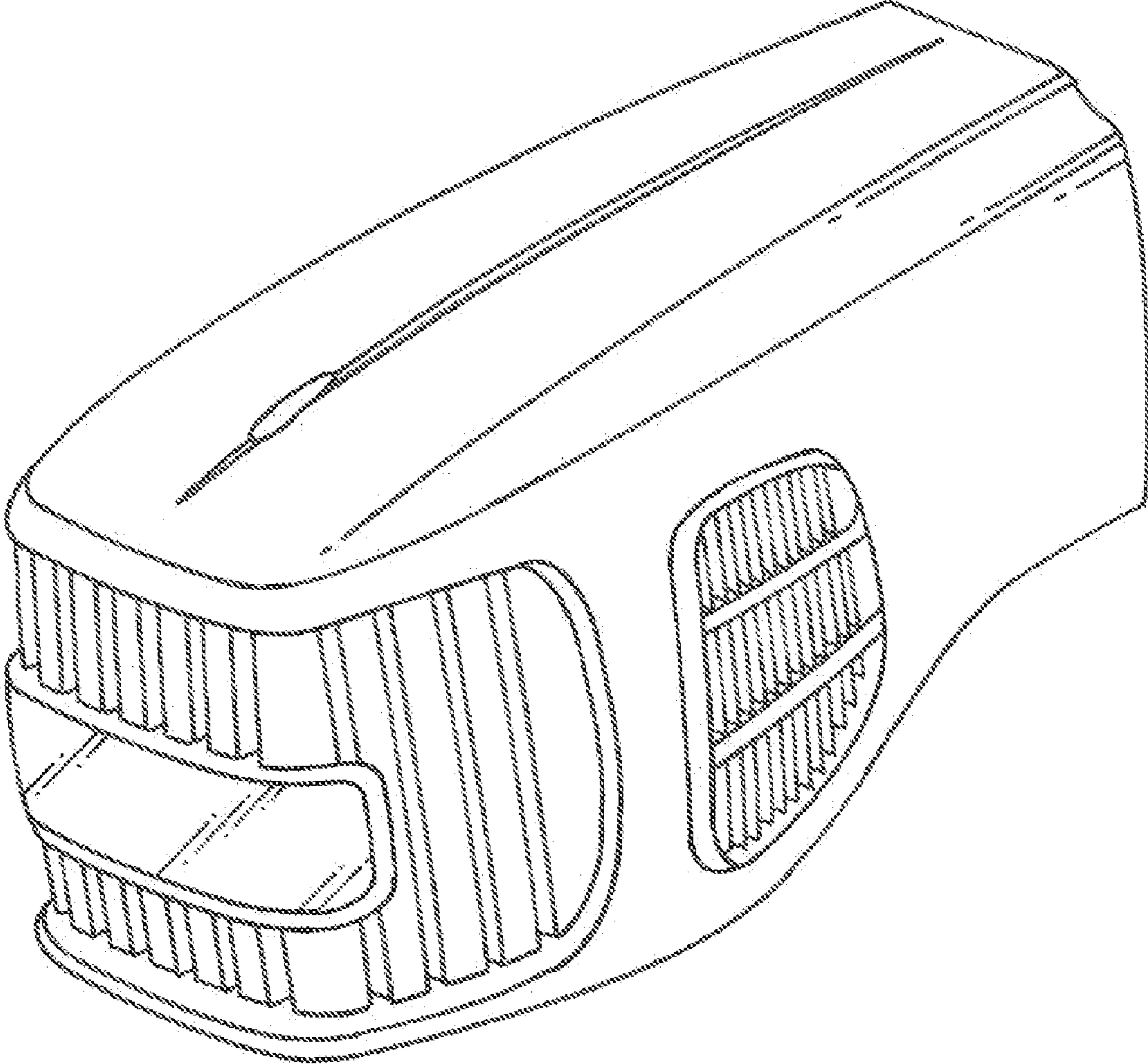


FIG. 1

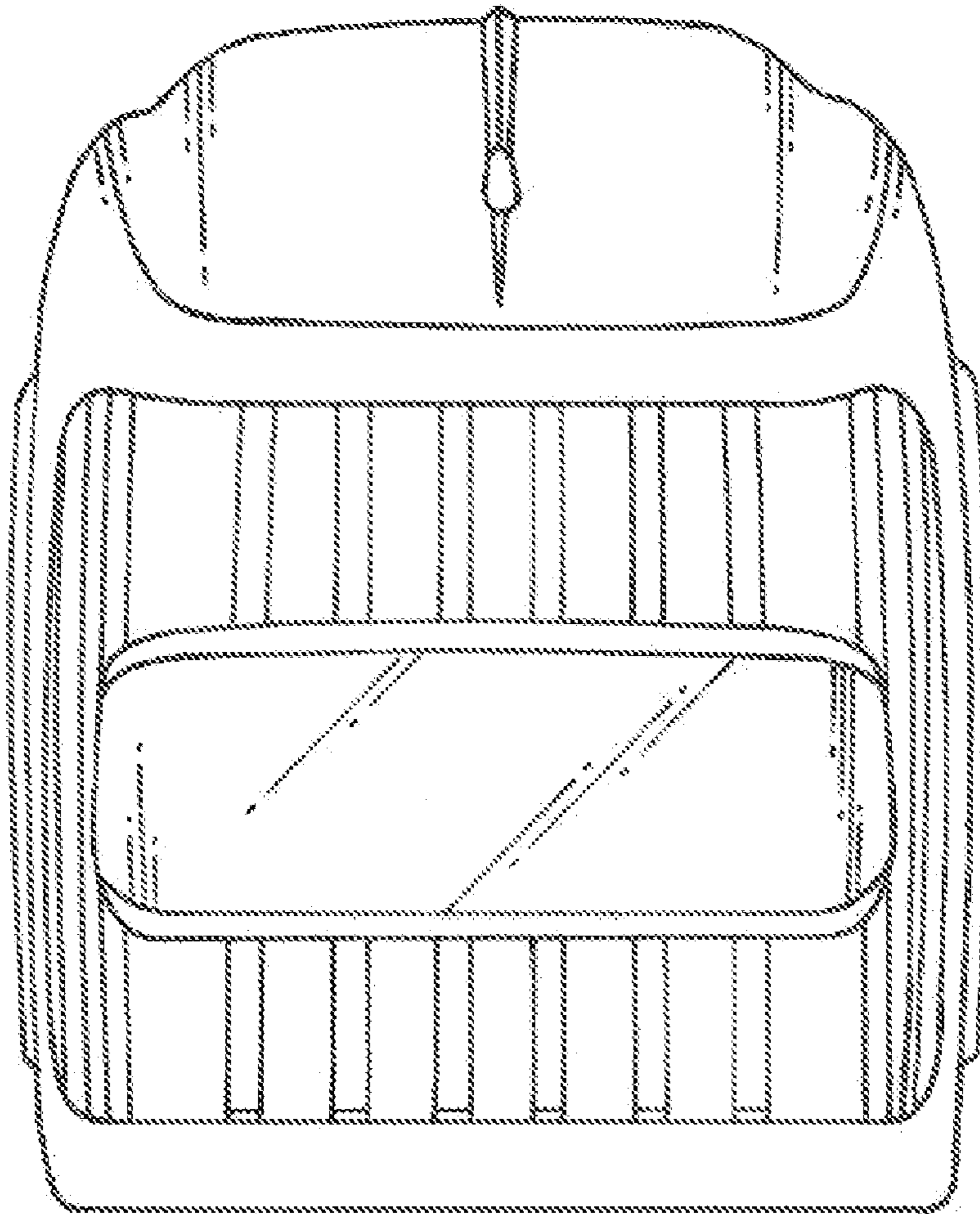


Fig. 2

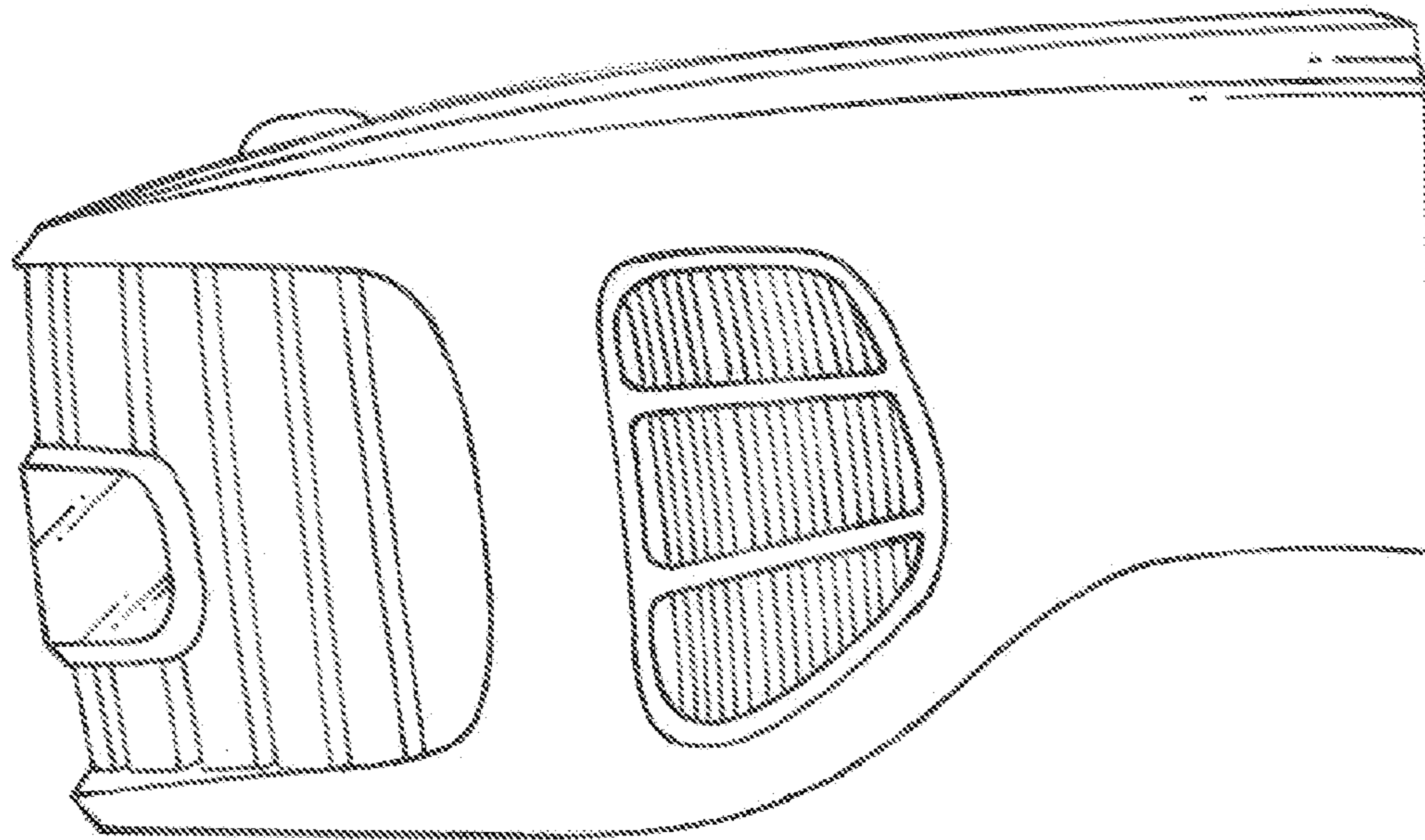


Fig. 3

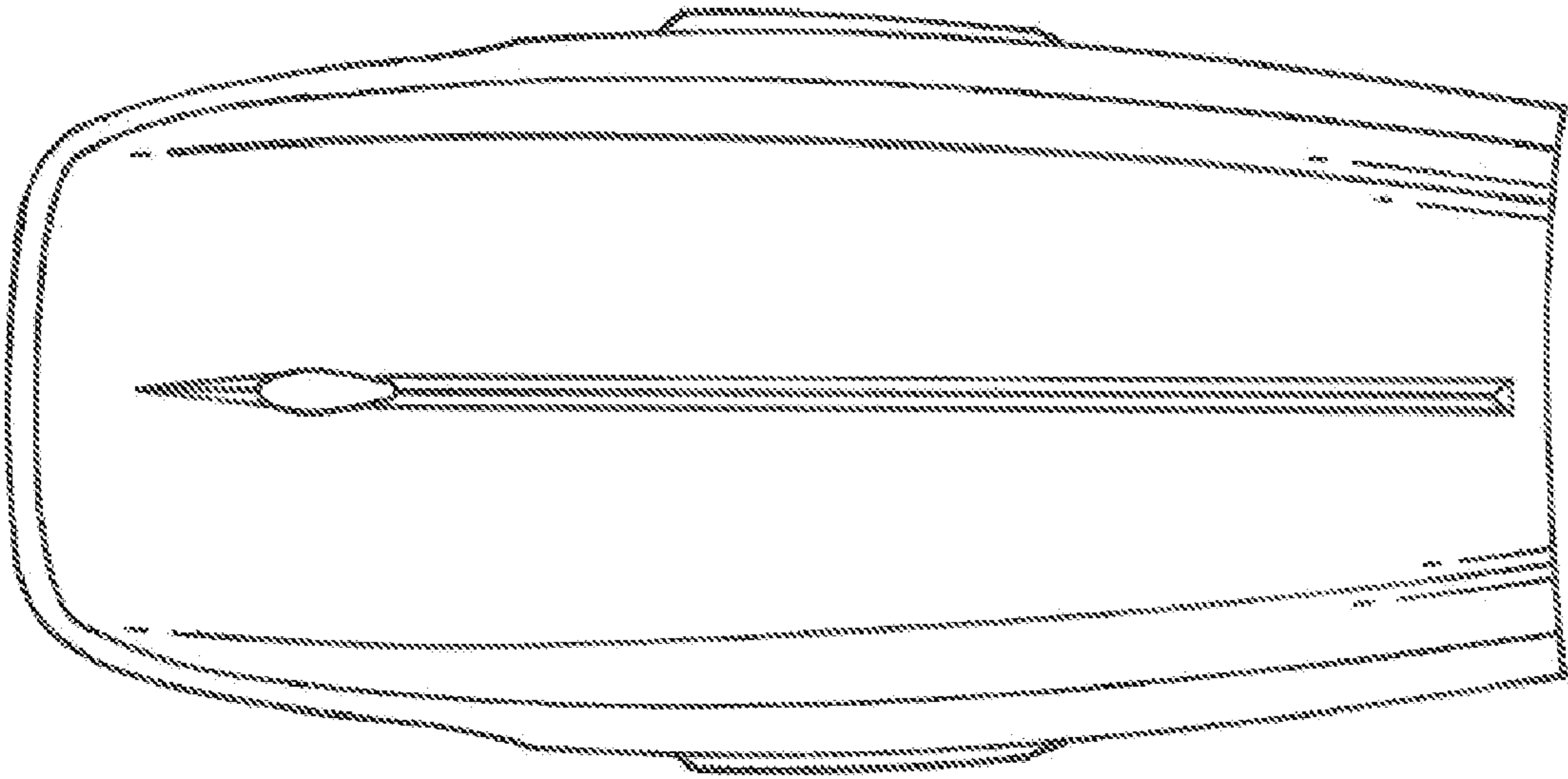


FIG. 4