



US00D554668S

(12) **United States Design Patent**
Bush

(10) **Patent No.:** **US D554,668 S**

(45) **Date of Patent:** **** Nov. 6, 2007**

(54) **VERTICALLY-ADJUSTABLE
RAIL-ENGAGING WHEELS**

D456,583 S * 4/2002 Schmidt D34/28
D466,135 S * 11/2002 Spomer et al. D15/33
2003/0172837 A1 * 9/2003 Whiston et al. 105/215.2

(76) Inventor: **David E. Bush**, P.O. Box 9, Gary, TX
(US) 75643

* cited by examiner

(**) Term: **14 Years**

Primary Examiner—Stella M. Reid
Assistant Examiner—Mark Goodwin

(21) Appl. No.: **29/272,617**

(74) *Attorney, Agent, or Firm*—John M. Harrison

(22) Filed: **Feb. 13, 2007**

(57) **CLAIM**

(51) **LOC (8) Cl.** **15-03**

The ornamental design for “vertically-adjustable rail-engag-
ing wheels”, as shown and described.

(52) **U.S. Cl.** **D15/28**

(58) **Field of Classification Search** D12/36–51,
D12/101; D15/28, 33; 410/52, 53, 9, 22,
410/66, 56–59; 105/159, 4.1, 90.2, 72.2,
105/215.2; 213/97, 183, 184; 414/495,
414/498; 180/906; 280/43.23

DESCRIPTION

See application file for complete search history.

FIG. 1 is a front perspective view of the vertically-adjustable
rail-engaging wheels, showing my new design in use con-
dition;

(56) **References Cited**

U.S. PATENT DOCUMENTS

- D185,718 S * 7/1959 Patton D12/101
- 3,075,603 A * 1/1963 Baudhuin 180/432
- 3,269,331 A * 8/1966 Thompson 105/72.2
- D251,901 S * 5/1979 O’Lear D12/46
- D263,942 S * 4/1982 Francis D12/36
- 4,375,892 A * 3/1983 Jenkins et al. 280/43.23
- 4,386,880 A * 6/1983 Schimmeyer 410/56
- 4,534,297 A * 8/1985 Johnson, Sr. 105/90.2
- 4,828,452 A * 5/1989 Bolitho 414/718
- D312,059 S * 11/1990 Styles D12/42
- 5,006,031 A * 4/1991 Fossing et al. 414/458
- 5,145,307 A * 9/1992 Smethwick et al. 414/458
- D382,278 S * 8/1997 Jantz D15/28
- 5,800,114 A * 9/1998 Secondi 414/458
- 6,193,086 B1 * 2/2001 Gunlaugsson et al. 212/290

FIG. 2 is a rear perspective view thereof;

FIG. 3 is a left side elevational view thereof;

FIG. 4 is a right side elevational view thereof;

FIG. 5 is a top view thereof;

FIG. 6 is a bottom view thereof;

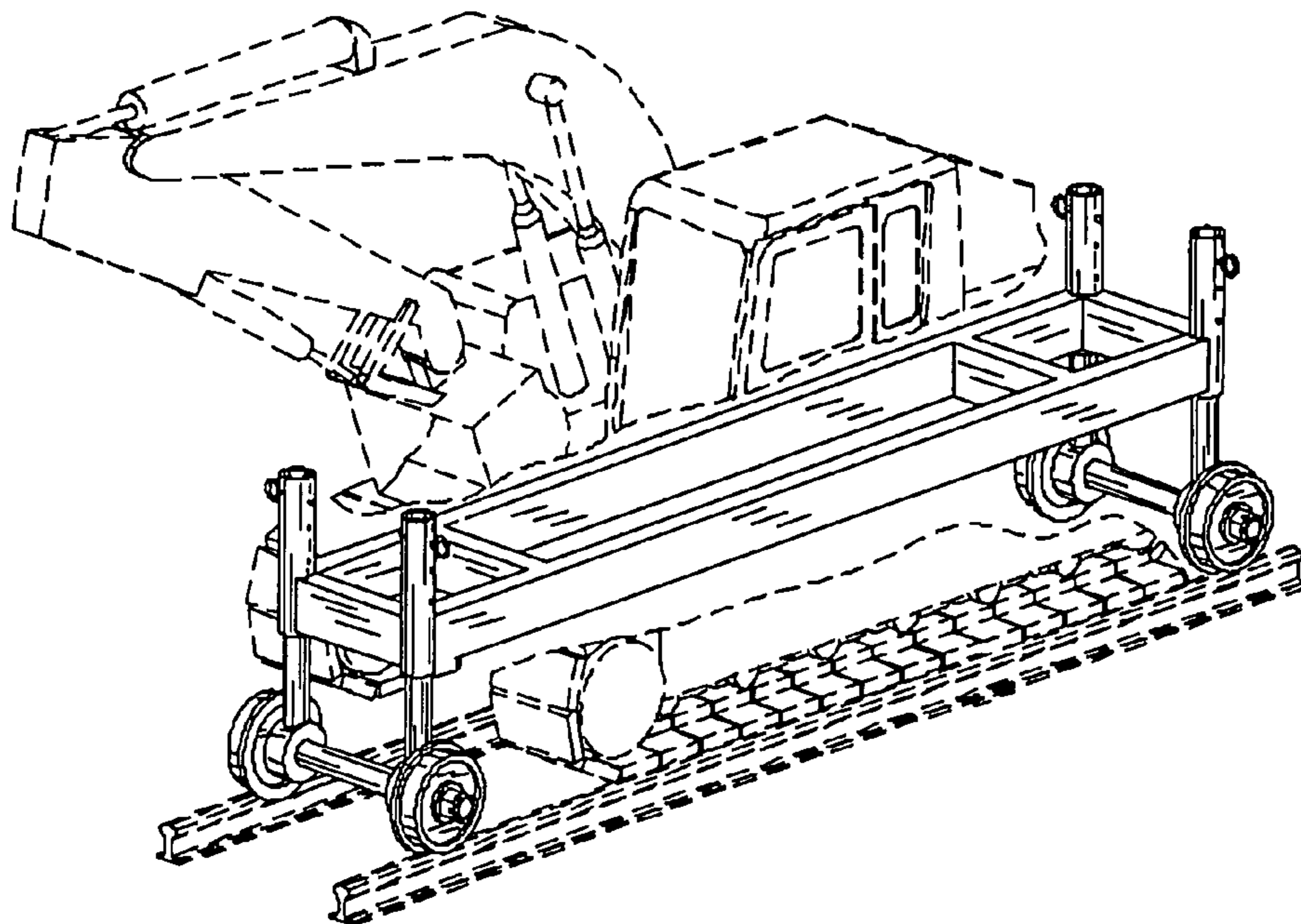
FIG. 7 is a rear elevational view thereof;

FIG. 8 is a front elevational view thereof; and,

FIG. 9 is a left side elevational view of the vertically-
adjustable rail-engaging wheels illustrated in FIGS. 1–8 in
non-use condition.

The broken lines illustrating environmental structure are for
illustrative purposes only and form no part of the claimed
design.

1 Claim, 4 Drawing Sheets



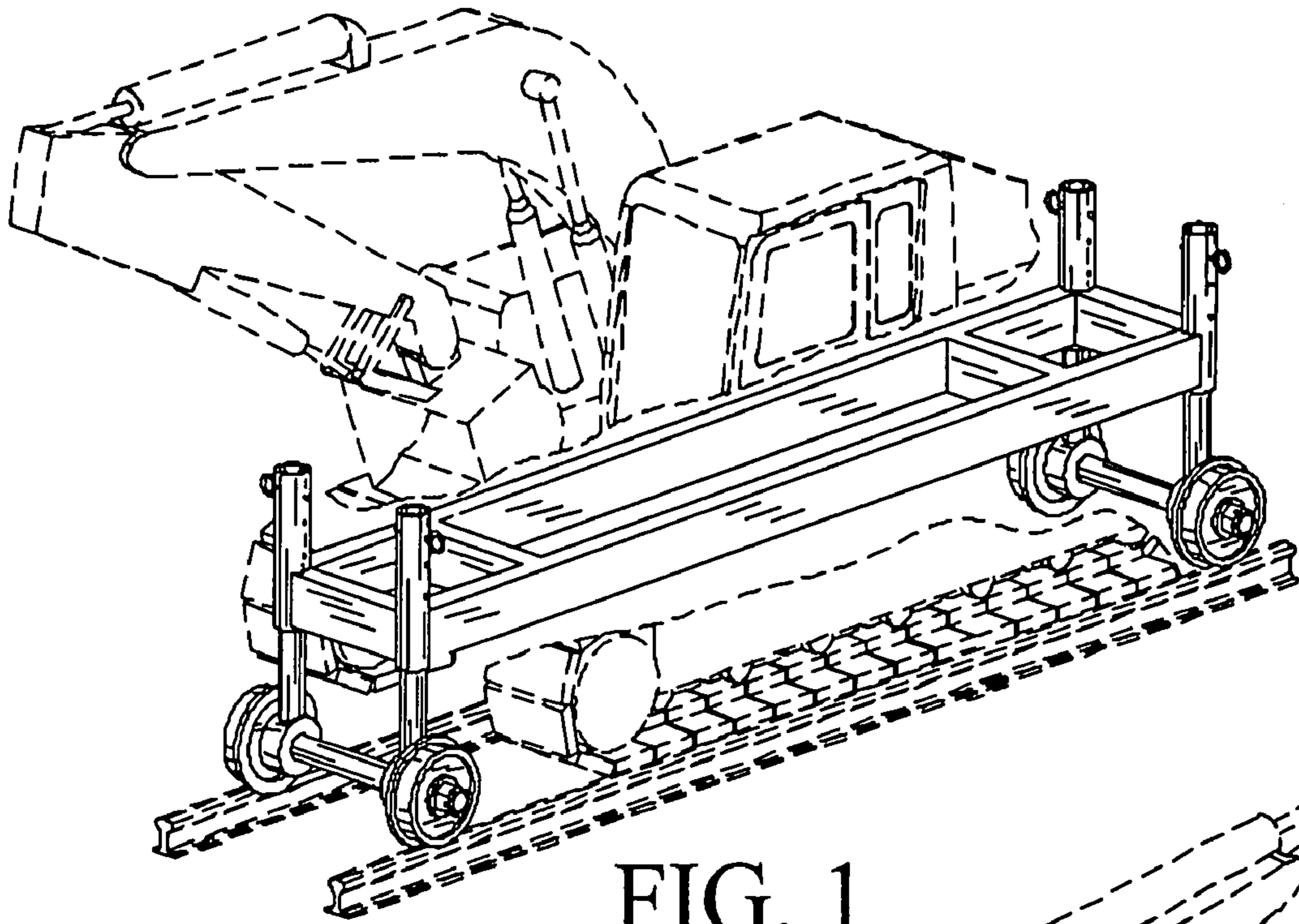


FIG. 1

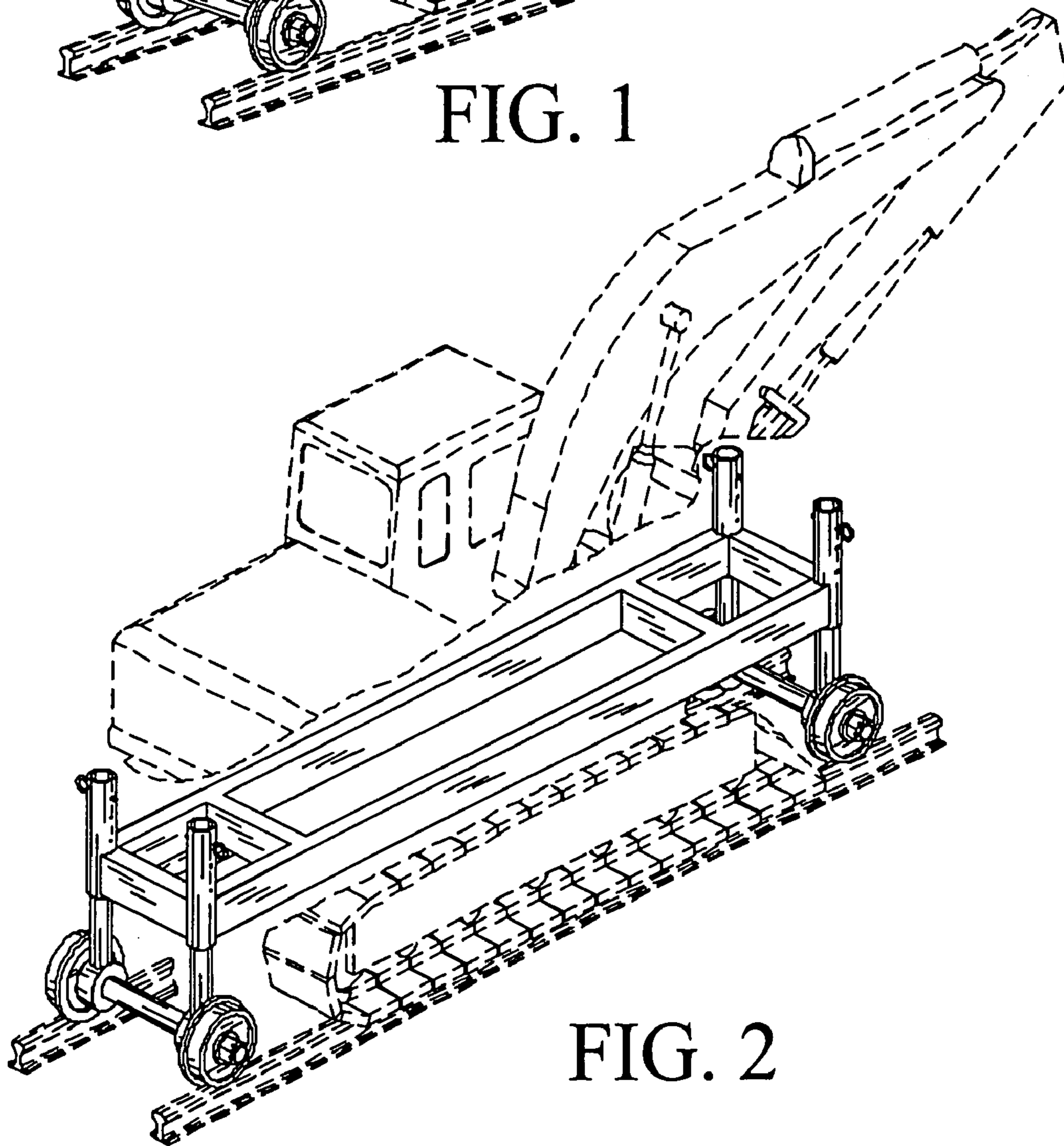


FIG. 2

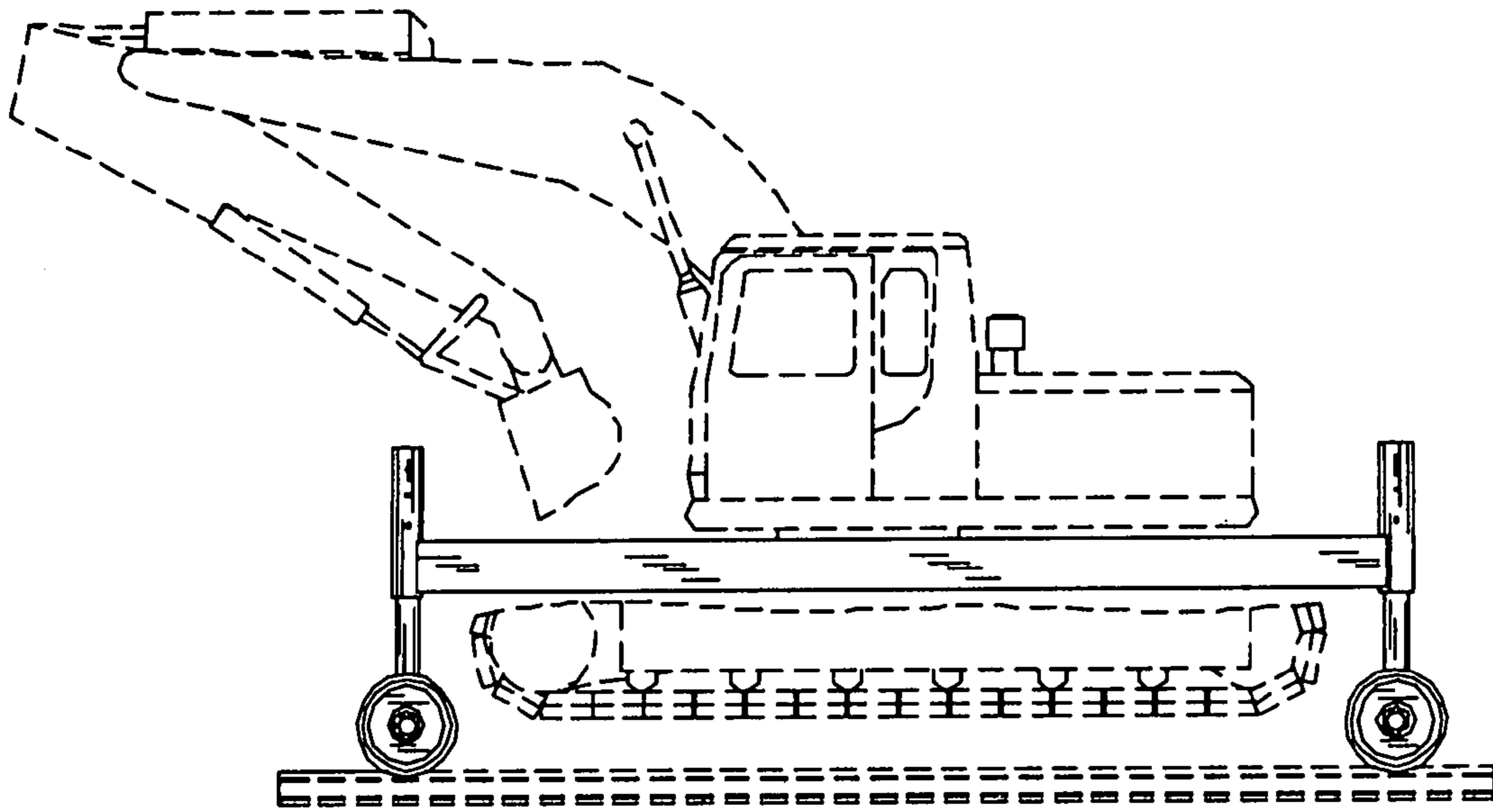


FIG. 3

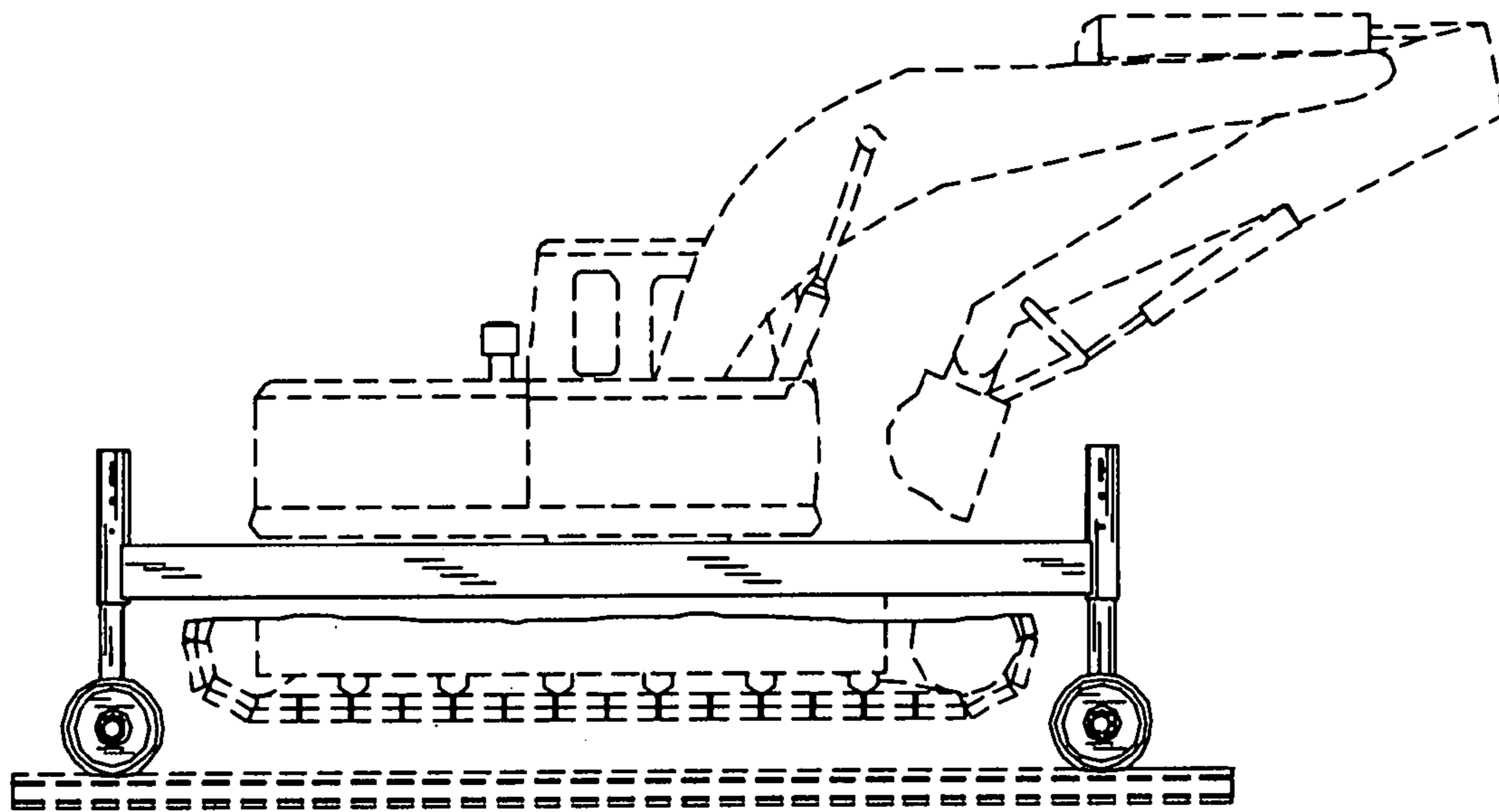


FIG. 4

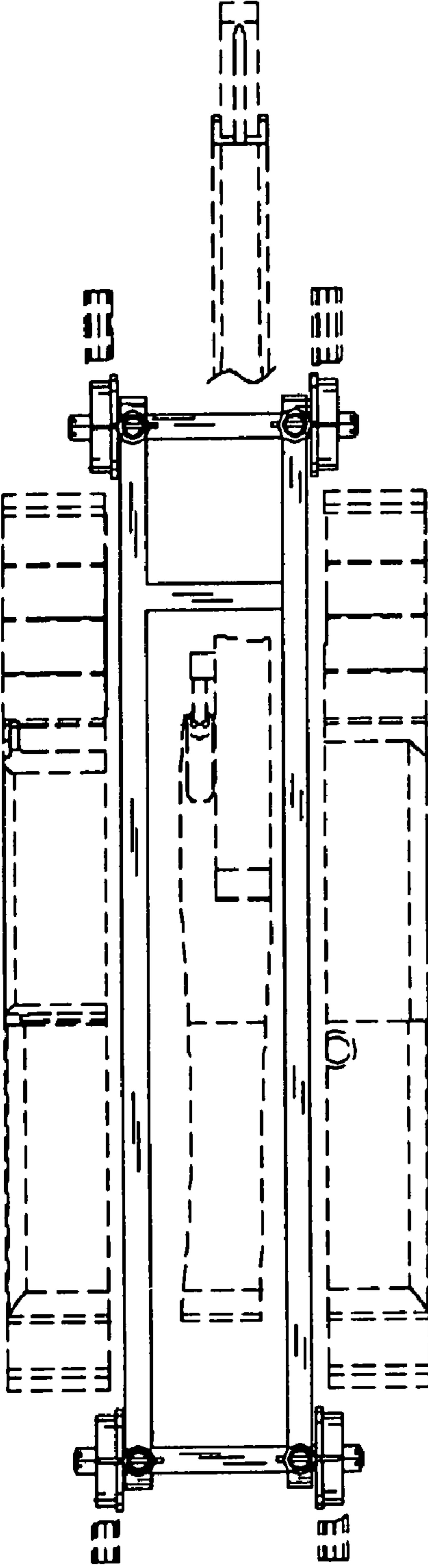


FIG. 5

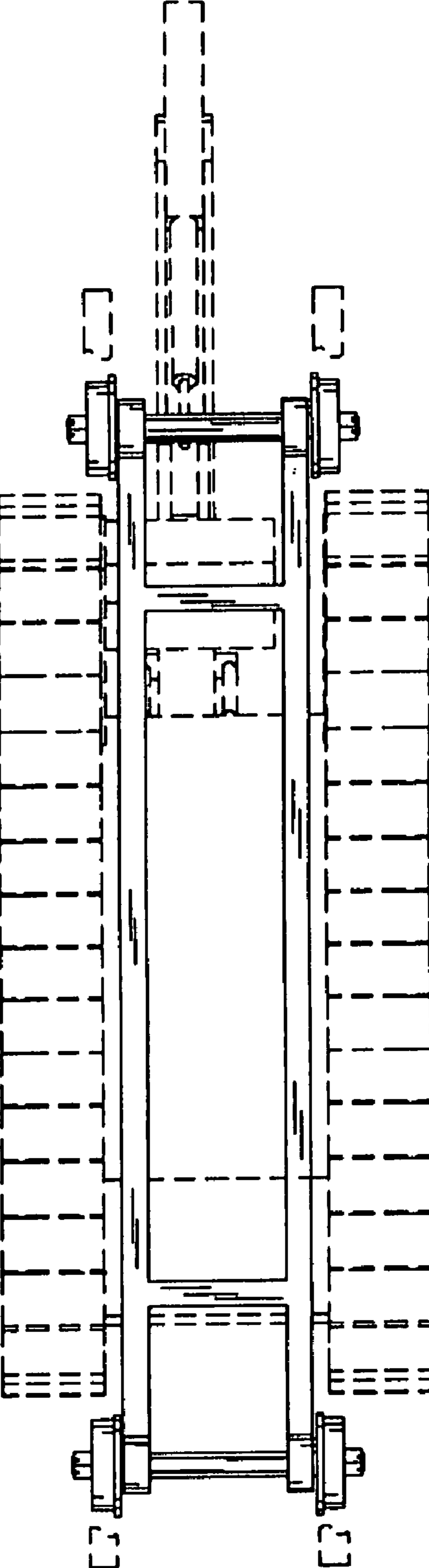


FIG. 6

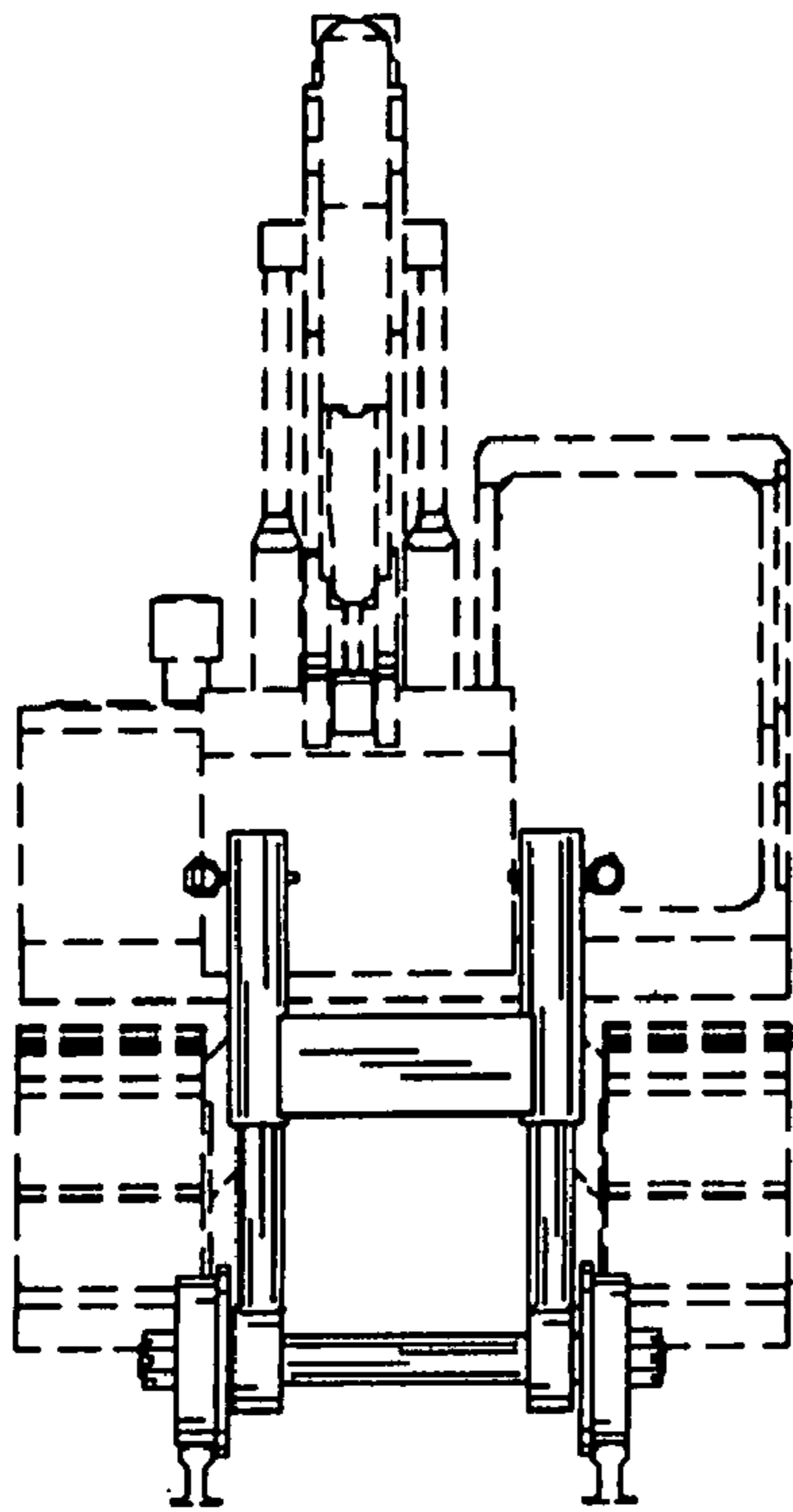


FIG. 7

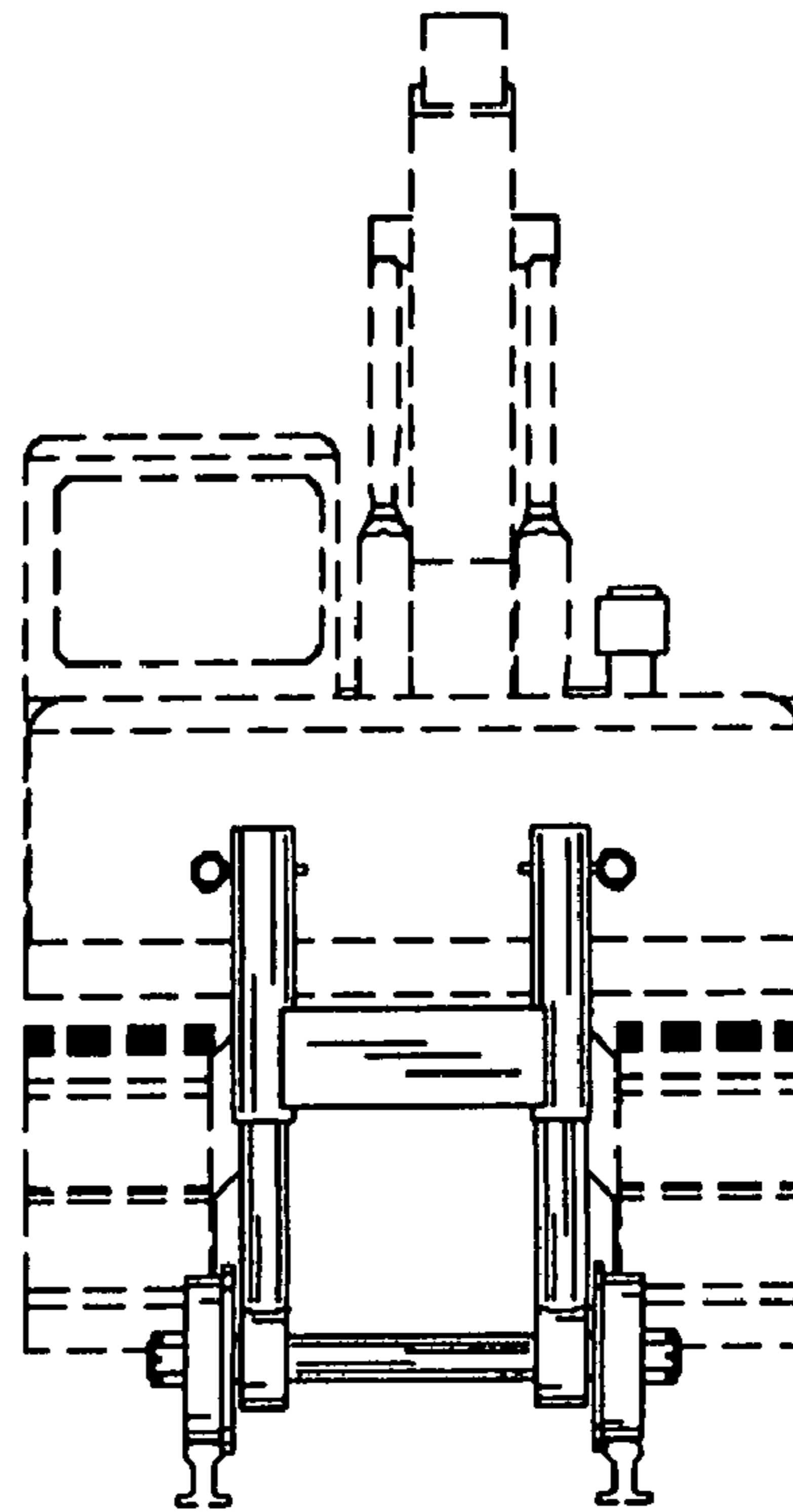


FIG. 8

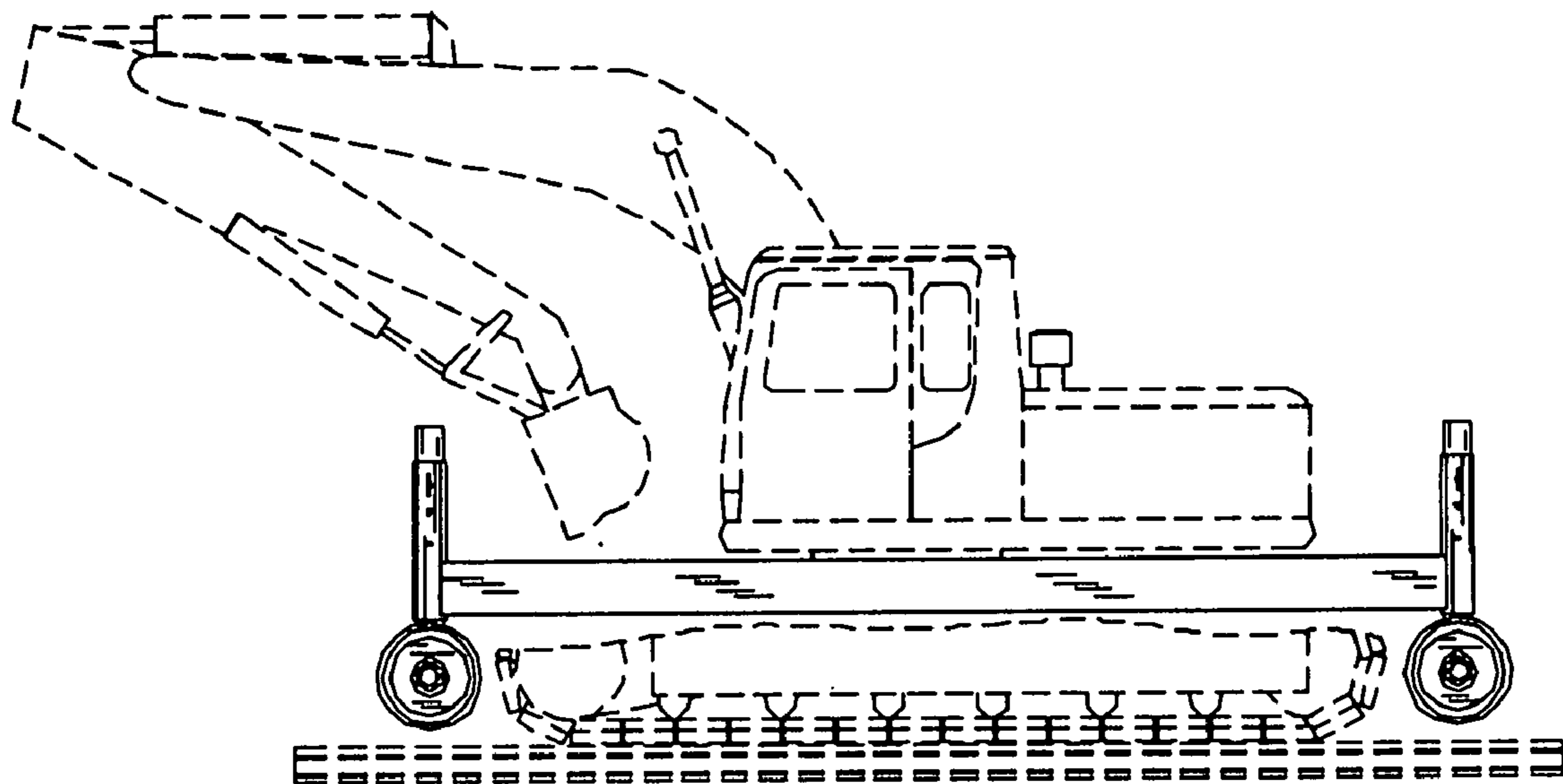


FIG. 9