



US00D554651S

(12) **United States Design Patent**
Yamagata et al.

(10) **Patent No.:** **US D554,651 S**

(45) **Date of Patent:** **** Nov. 6, 2007**

(54) **OPERATION PANEL FOR FACSIMILE MACHINE**

D529,078 S * 9/2006 Hattori D18/50

* cited by examiner

(75) Inventors: **Takashi Yamagata**, Kyoto (JP);
Ryuichi Onaka, Kyoto (JP)

Primary Examiner—Stella Reid
Assistant Examiner—Keli L. Acker

(73) Assignee: **Murata Kikai Kabushiki Kaisha**,
Kyoto (JP)

(74) *Attorney, Agent, or Firm*—Sterne, Kessler, Goldstein &
Fox P.L.L.C.

(**) Term: **14 Years**

(57) **CLAIM**

(21) Appl. No.: **29/246,638**

The ornamental design for an operation panel for facsimile machine, as shown and described.

(22) Filed: **Apr. 28, 2006**

DESCRIPTION

(30) **Foreign Application Priority Data**

Mar. 17, 2006 (JP) 2006-006878

FIG. 1 is a perspective view of a multi-function device including an operation panel for facsimile machine showing our new design;

(51) **LOC (8) Cl.** **16-03**

(52) **U.S. Cl.** **D14/471**

(58) **Field of Classification Search** D14/462-471;
D18/36-41; 358/400-404

See application file for complete search history.

FIG. 2 is a front view thereof;

FIG. 3 is a rear view thereof;

FIG. 4 is a left side view thereof;

FIG. 5 is a right side view thereof;

FIG. 6 is a top plan view thereof;

FIG. 7 is a bottom view thereof;

FIG. 8 is an alternate side view thereof;

FIG. 9 is an alternate bottom view thereof;

FIG. 10 is an alternate front view showing the lid in an open position; and,

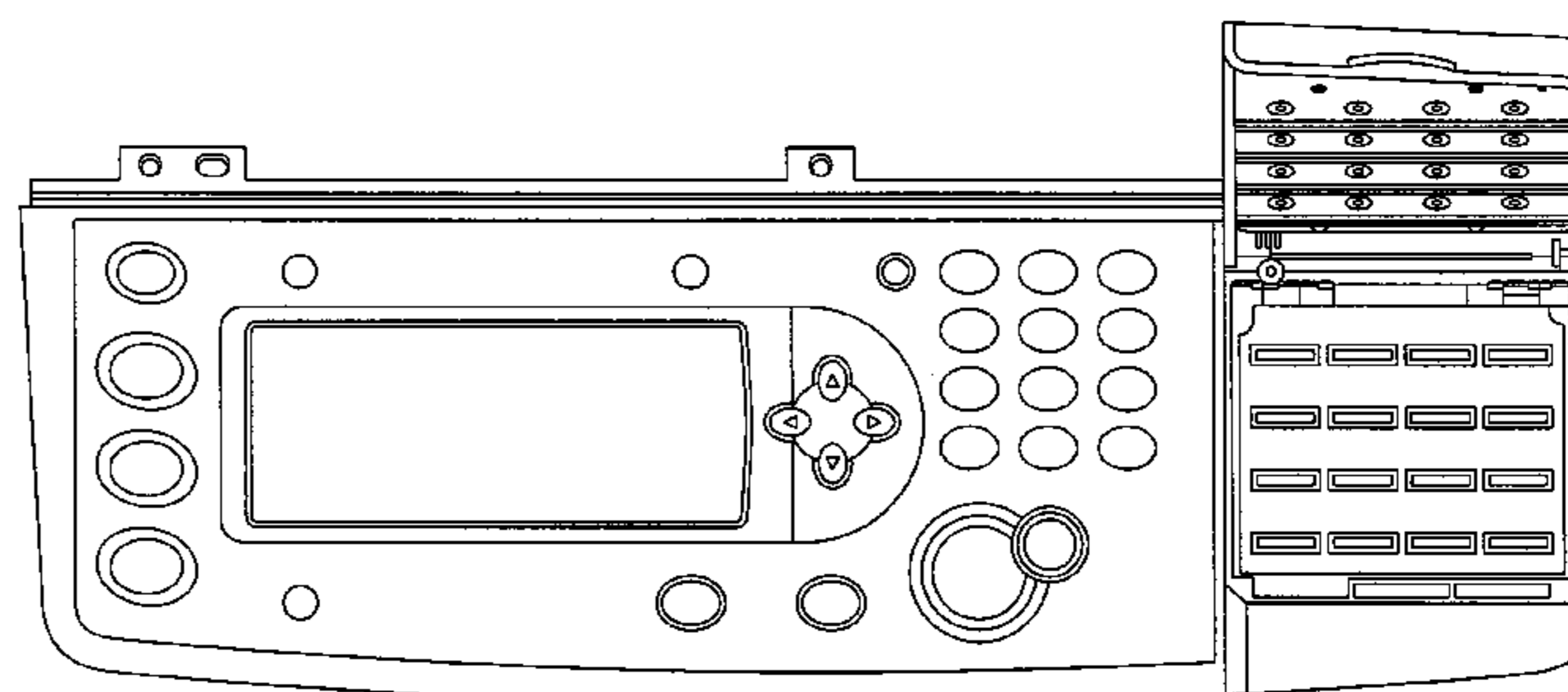
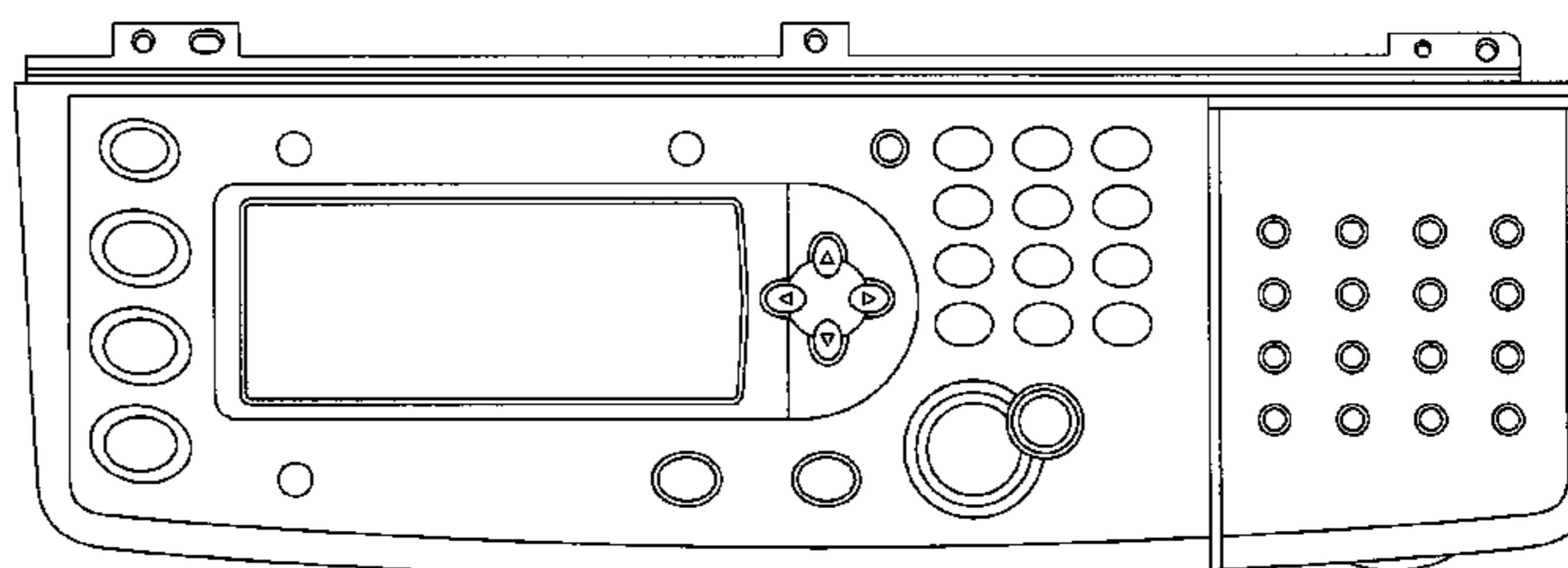
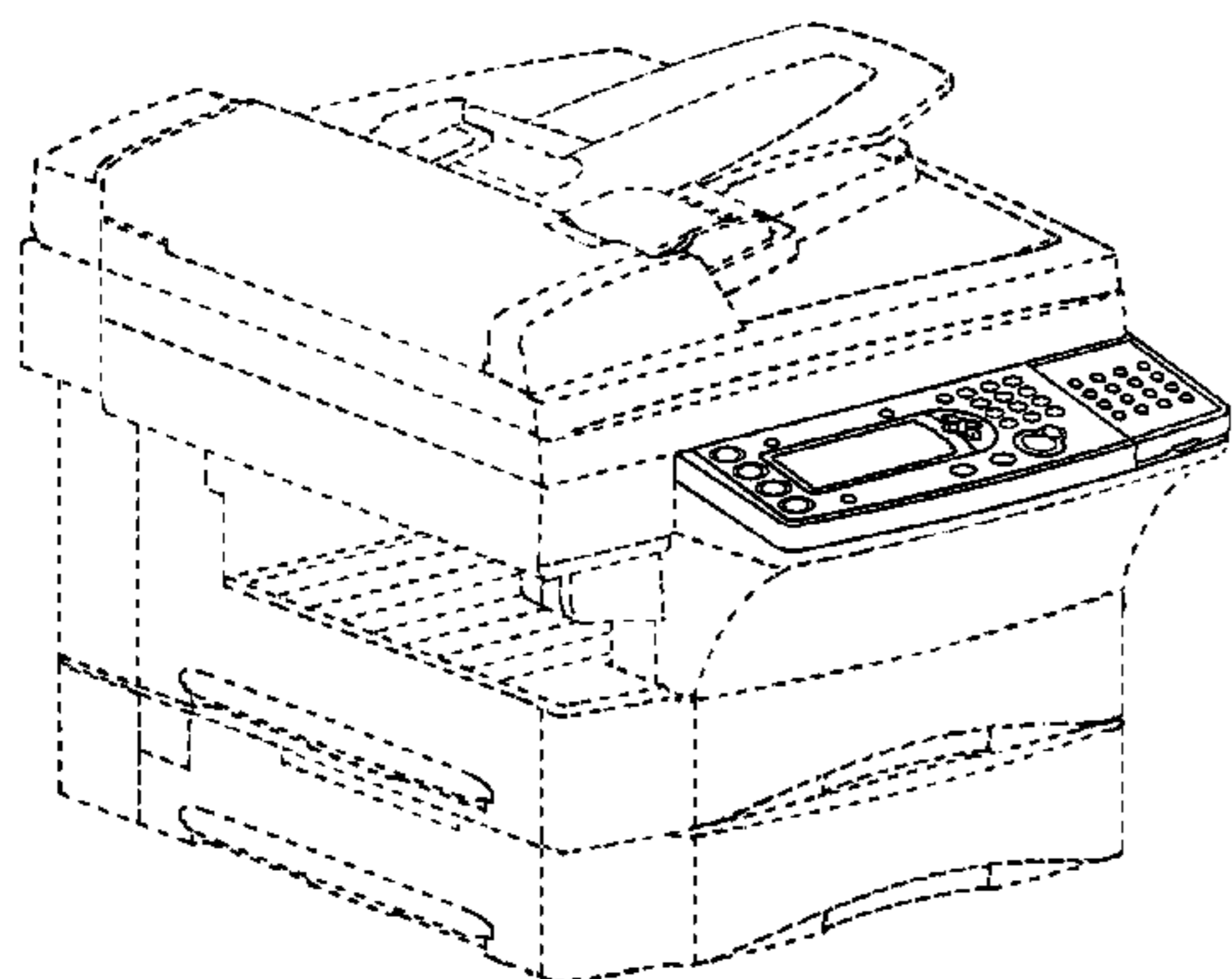
FIG. 11 is another view thereof.

(56) **References Cited**

U.S. PATENT DOCUMENTS

5,610,797	A *	3/1997	Nakamura	358/400
D458,270	S *	6/2002	Andersen et al.	D14/471
D464,659	S *	10/2002	Nanri	D14/463
D477,839	S *	7/2003	Agata	D18/41
D502,212	S *	2/2005	Ishigami	D14/422
6,961,147	B2 *	11/2005	Ishiyama	358/400
D516,081	S *	2/2006	Takimoto	D14/463
D529,074	S *	9/2006	Inoue	D18/41

1 Claim, 9 Drawing Sheets



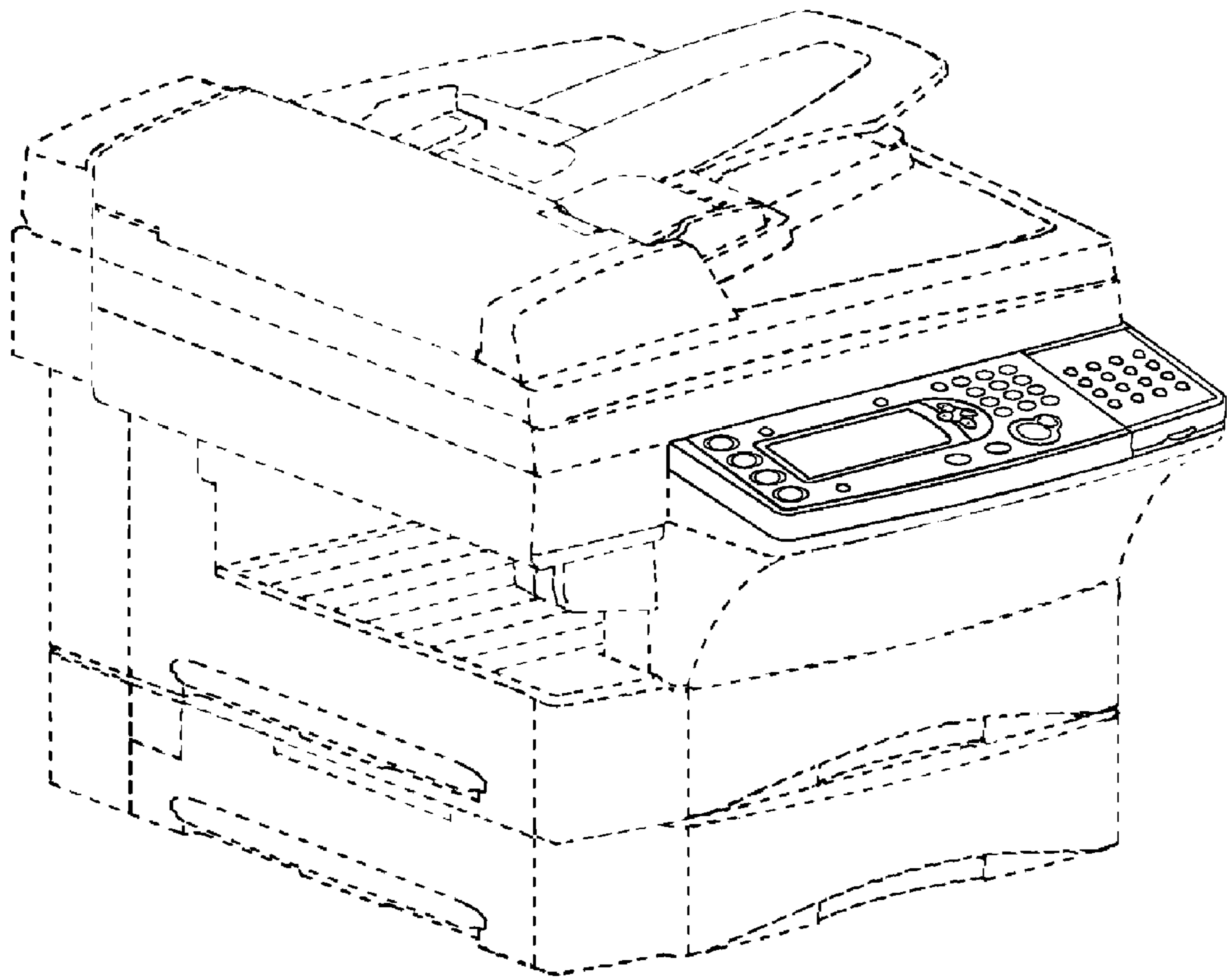


FIG. 1

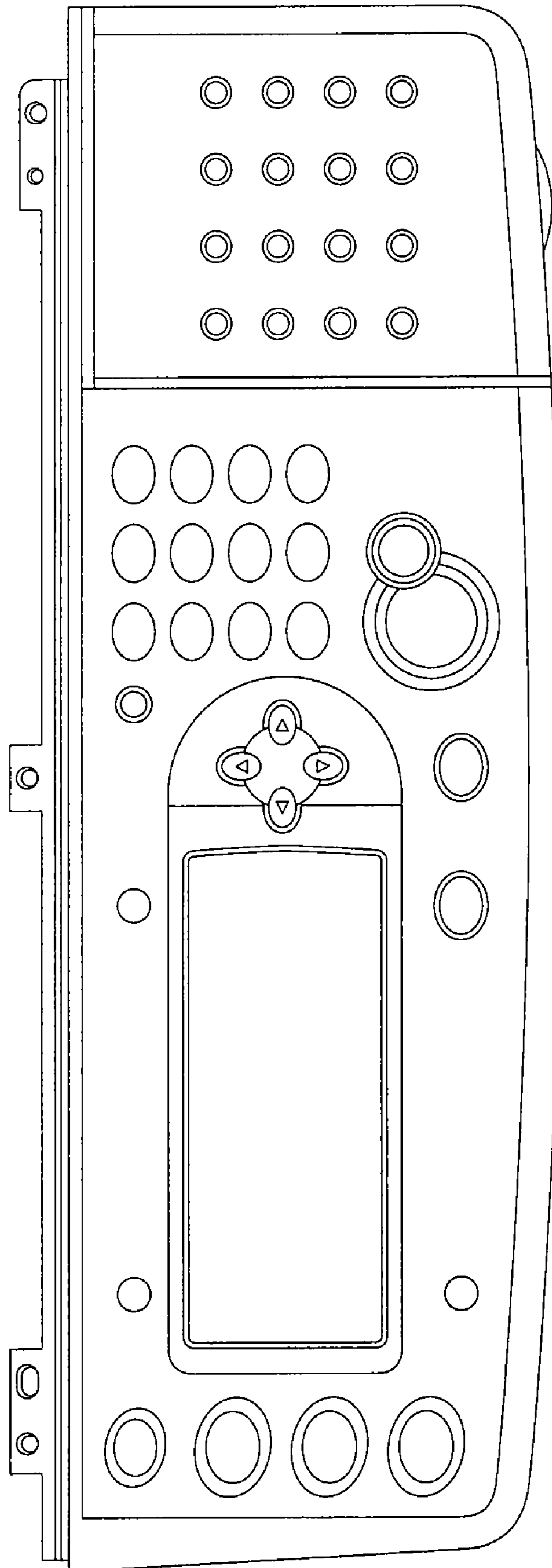


FIG. 2

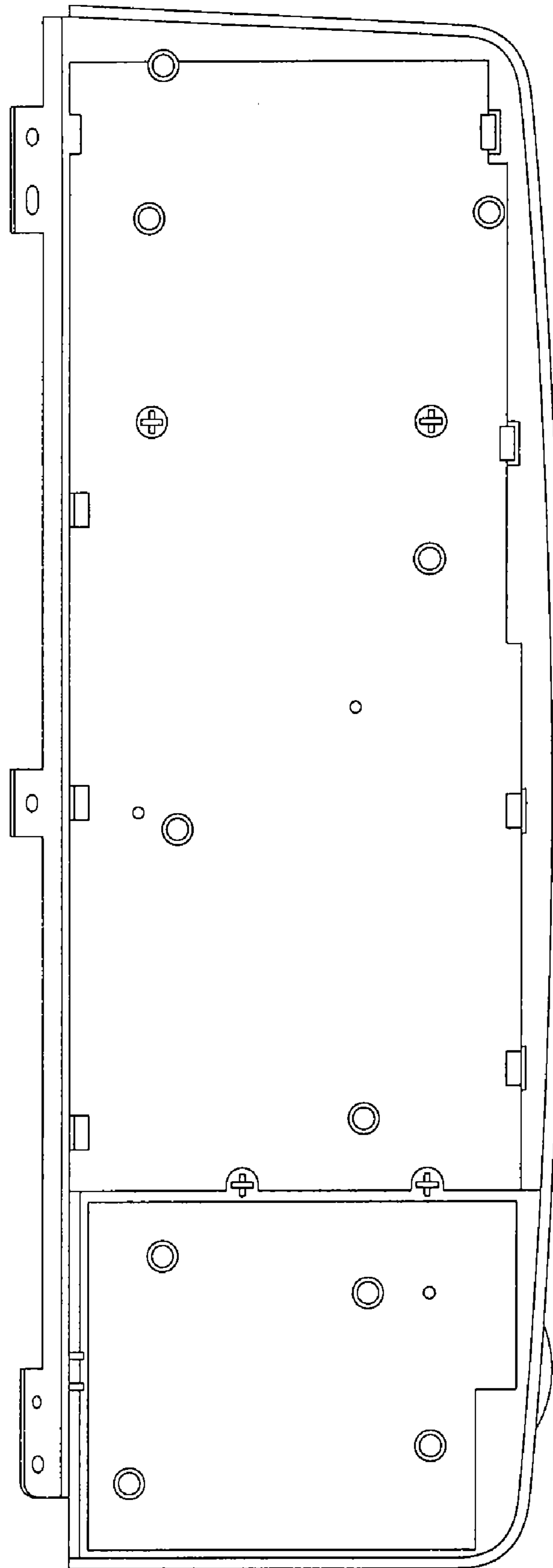


FIG. 3

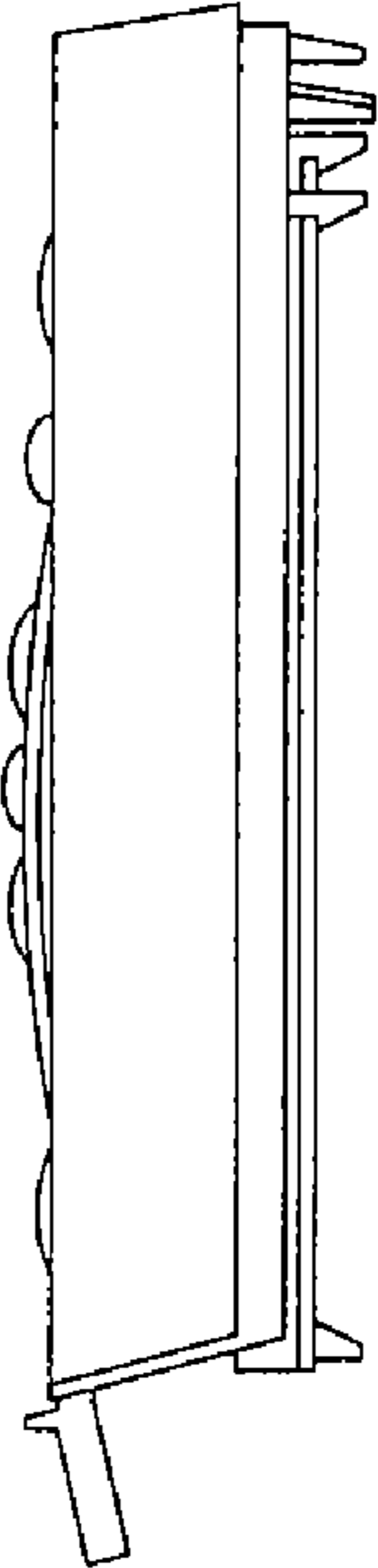


FIG. 4

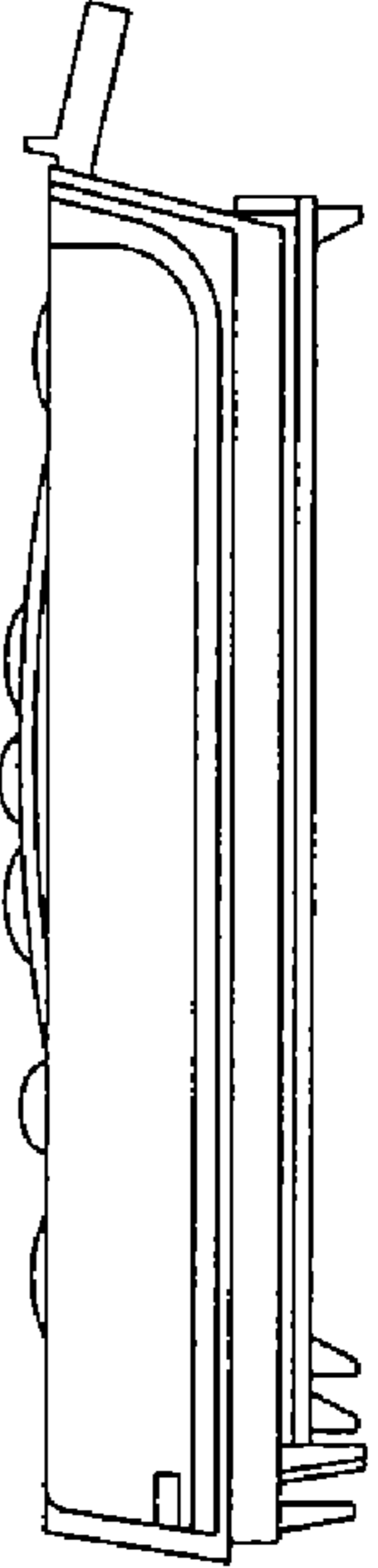


FIG. 5

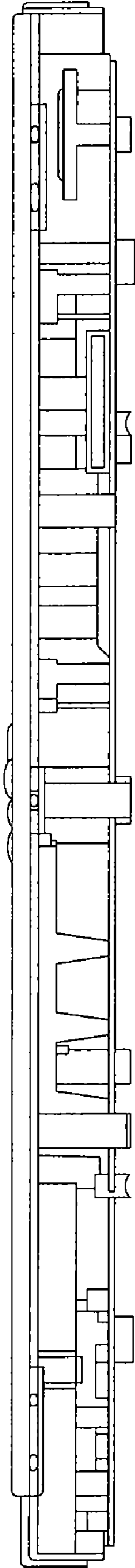


FIG. 6

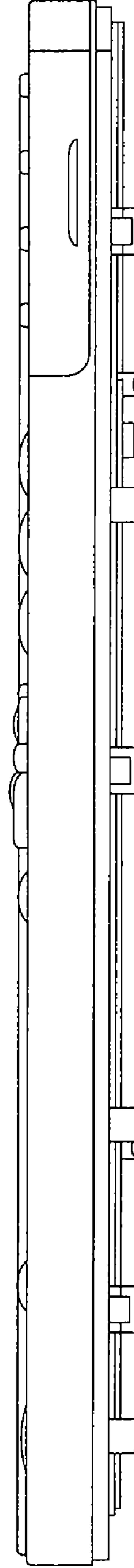


FIG. 7

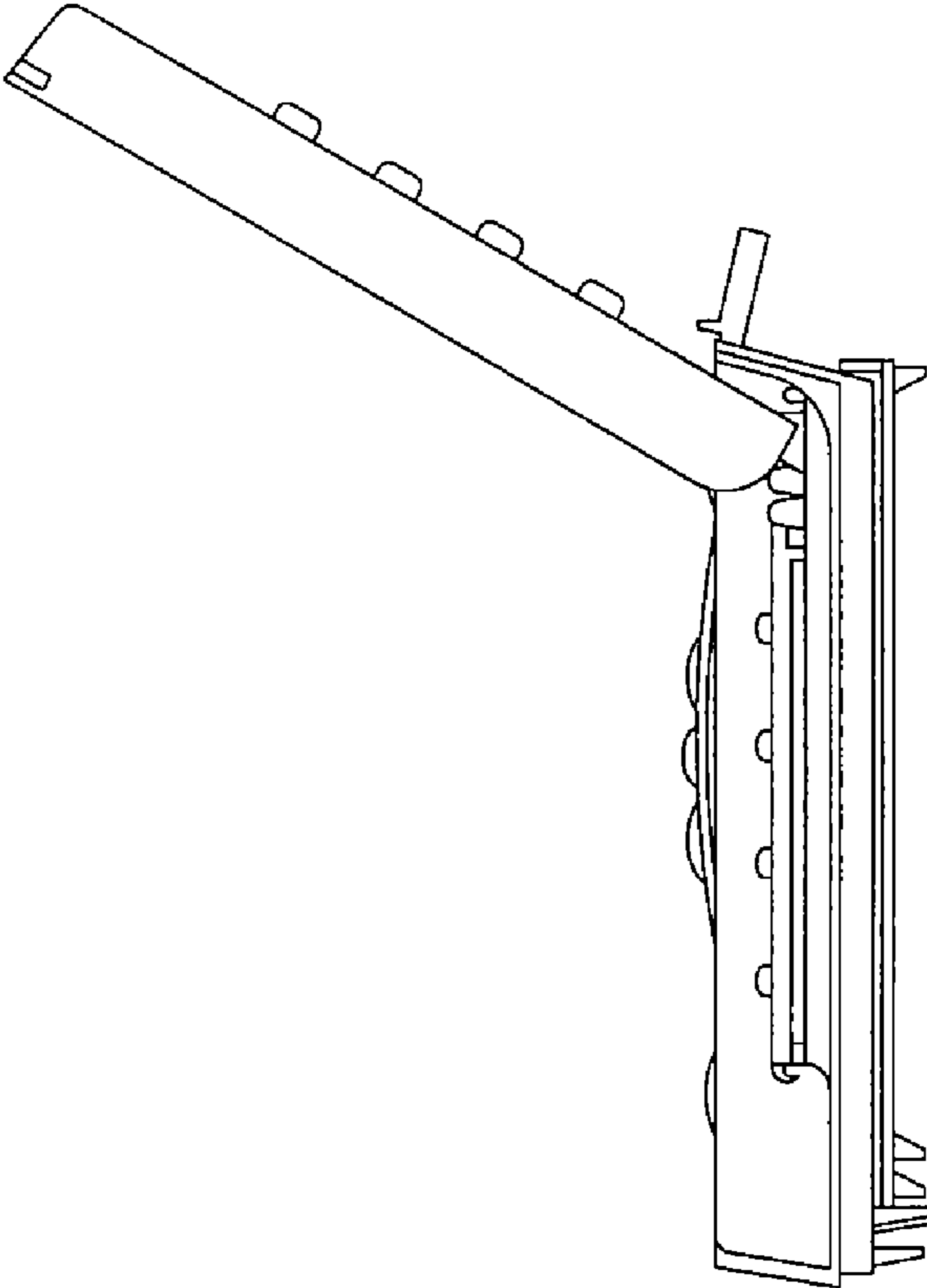


FIG. 8

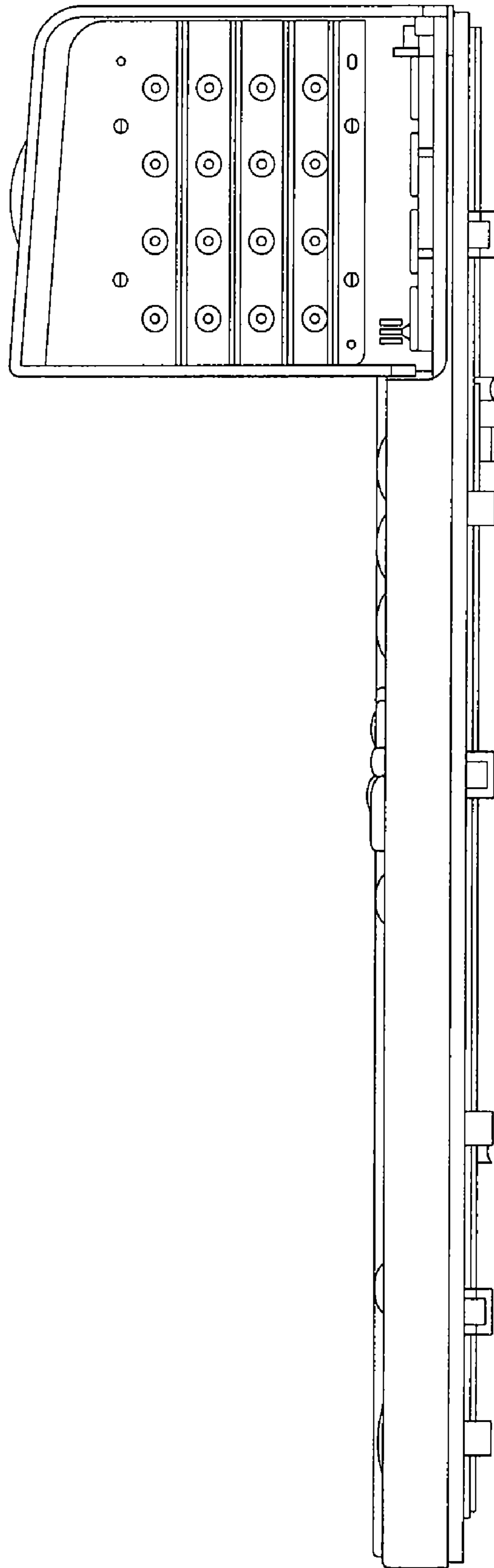


FIG. 9

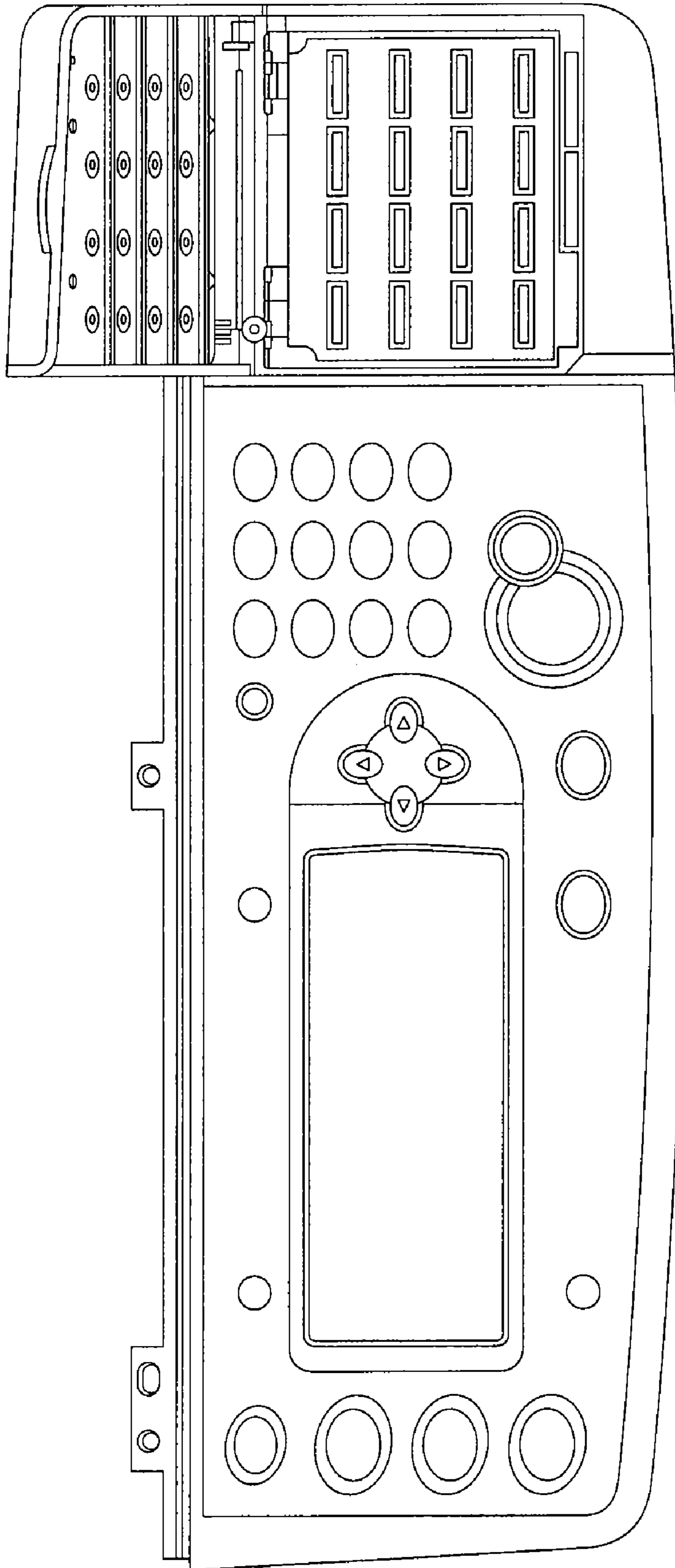


FIG. 10

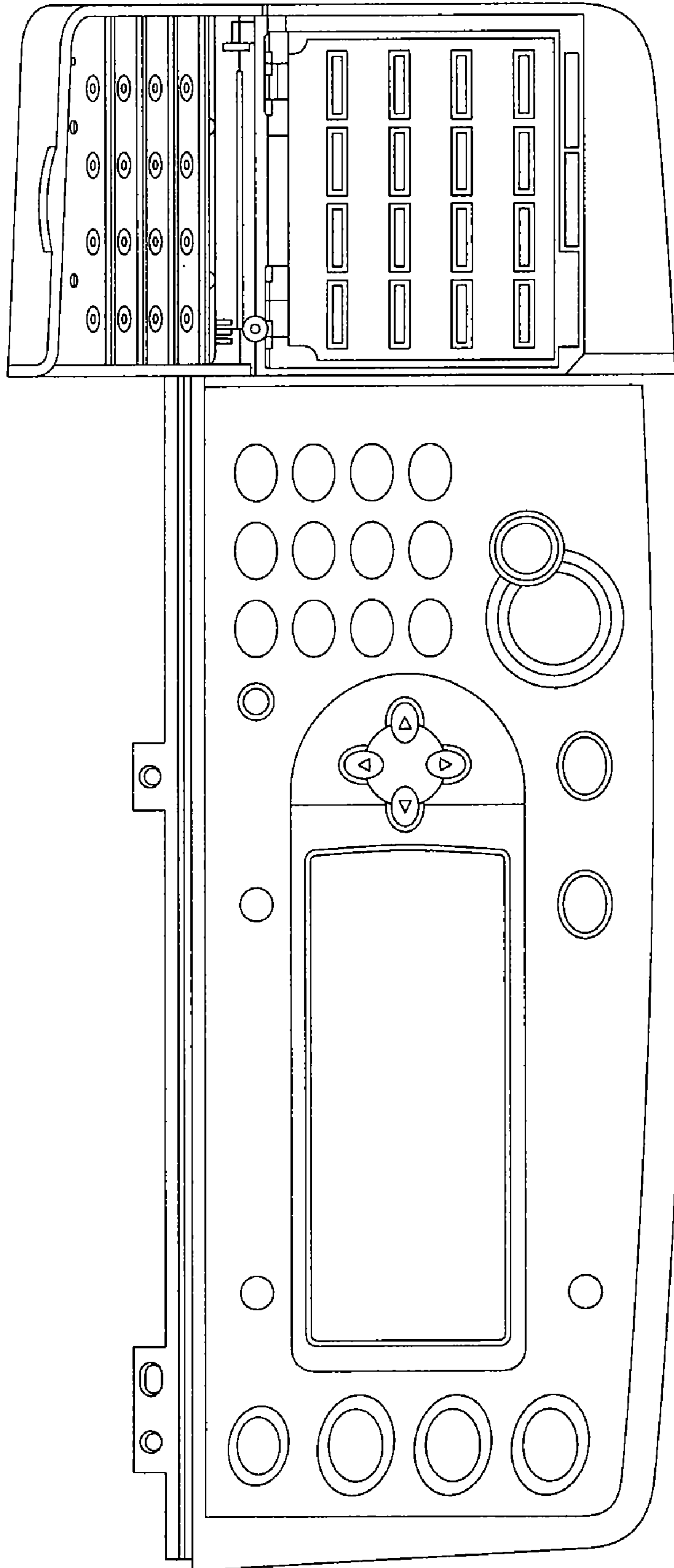


FIG. 11