



US00D554649S

(12) **United States Design Patent**  
**Yamagata et al.**

(10) **Patent No.:** **US D554,649 S**

(45) **Date of Patent:** **\*\* Nov. 6, 2007**

(54) **FACSIMILE MACHINE FOR PRINTING,  
SCANNING AND COPYING**

D464,659 S \* 10/2002 Nanri ..... D14/463  
D516,081 S \* 2/2006 Takimoto ..... D14/463  
D521,056 S \* 5/2006 Horiguchi et al. .... D18/39

(75) Inventors: **Takashi Yamagata**, Kyoto (JP);  
**Ryuichi Onaka**, Kyoto (JP)

\* cited by examiner

(73) Assignee: **Murata Kikai Kabushiki Kaisha**,  
Kyoto (JP)

*Primary Examiner*—Stella Reid  
*Assistant Examiner*—Keli L. Acker

(\*\*) Term: **14 Years**

(74) *Attorney, Agent, or Firm*—Sterne, Kessler, Goldstein &  
Fox P.L.L.C.

(21) Appl. No.: **29/246,635**

(57) **CLAIM**

(22) Filed: **Apr. 28, 2006**

The ornamental design for a facsimile machine for printing,  
scanning and copying, as shown and described.

(30) **Foreign Application Priority Data**

**DESCRIPTION**

Mar. 17, 2006 (JP) ..... 2006-006877

(51) **LOC (8) Cl.** ..... **16-03**

(52) **U.S. Cl.** ..... **D14/463**

(58) **Field of Classification Search** ..... D14/462–471;  
D18/36–41; 358/400–404

See application file for complete search history.

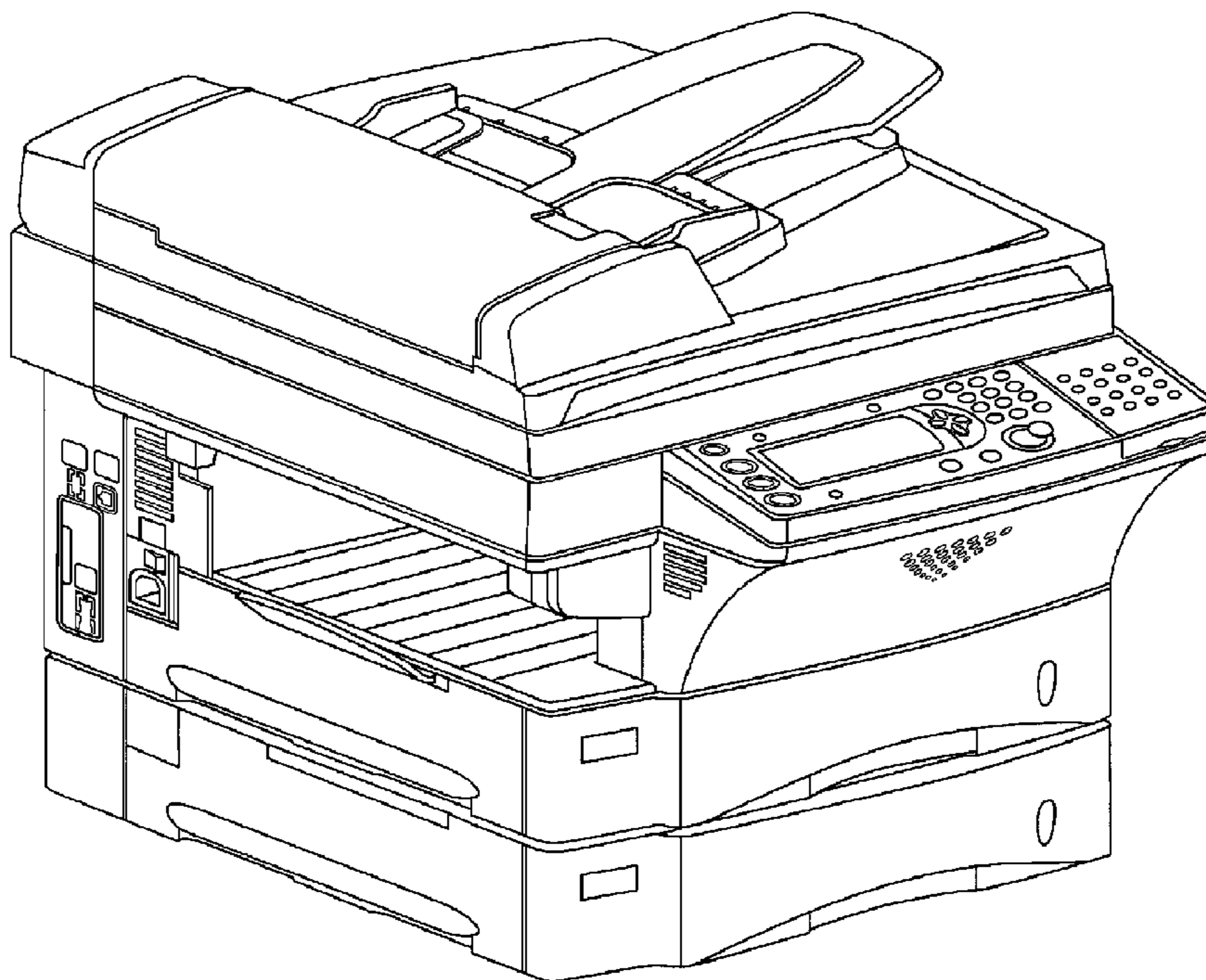
FIG. 1 is a perspective view of a facsimile machine for  
printing, scanning and copying showing our new design;  
FIG. 2 is a front view thereof;  
FIG. 3 is a rear view thereof;  
FIG. 4 is a left side view thereof;  
FIG. 5 is a right side view thereof;  
FIG. 6 is a top plan view thereof; and,  
FIG. 7 is a bottom view thereof.

(56) **References Cited**

**U.S. PATENT DOCUMENTS**

D350,765 S \* 9/1994 Hiroki et al. .... D18/36  
D350,766 S \* 9/1994 Tomatsu et al. .... D14/463

**1 Claim, 7 Drawing Sheets**



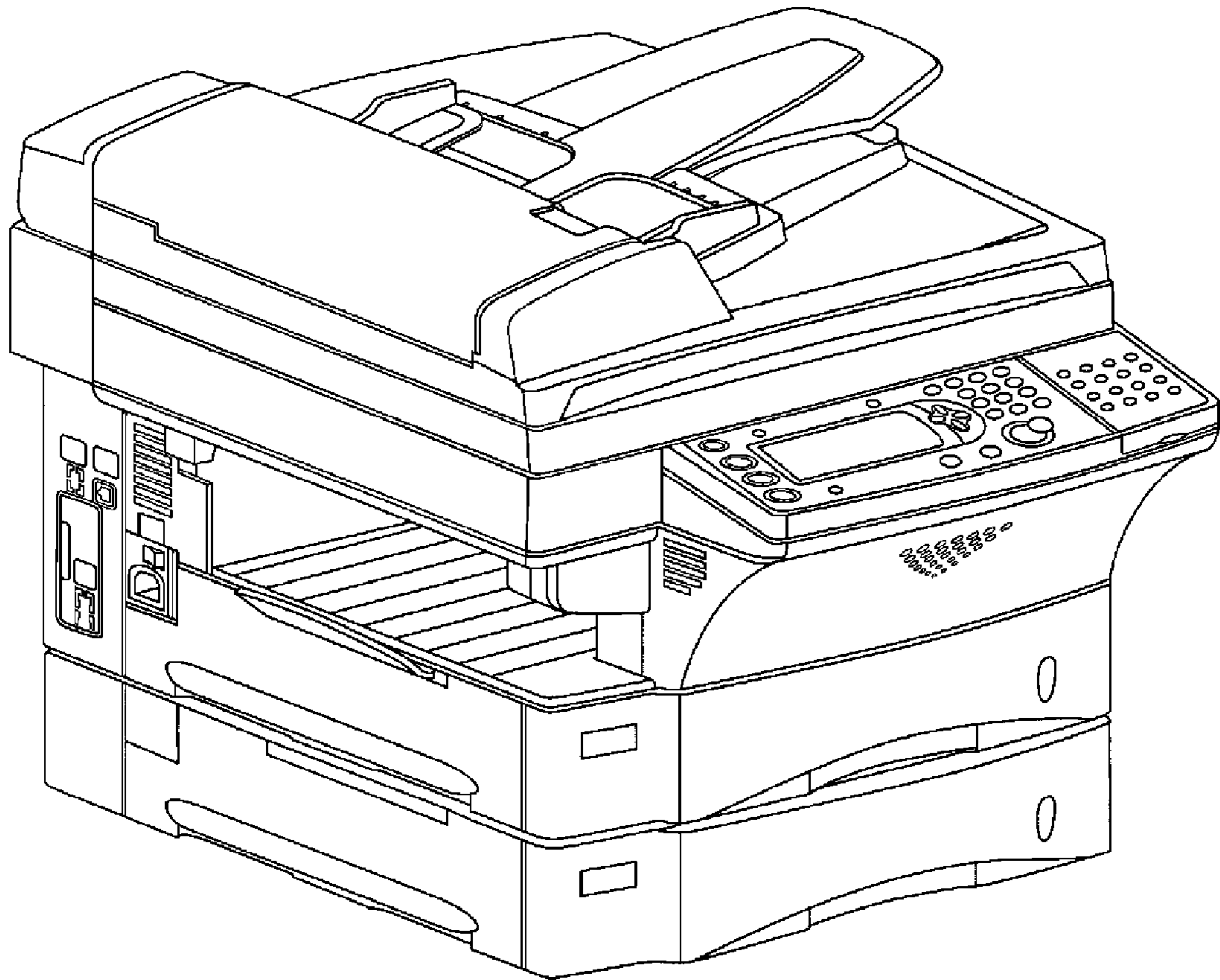


FIG. 1

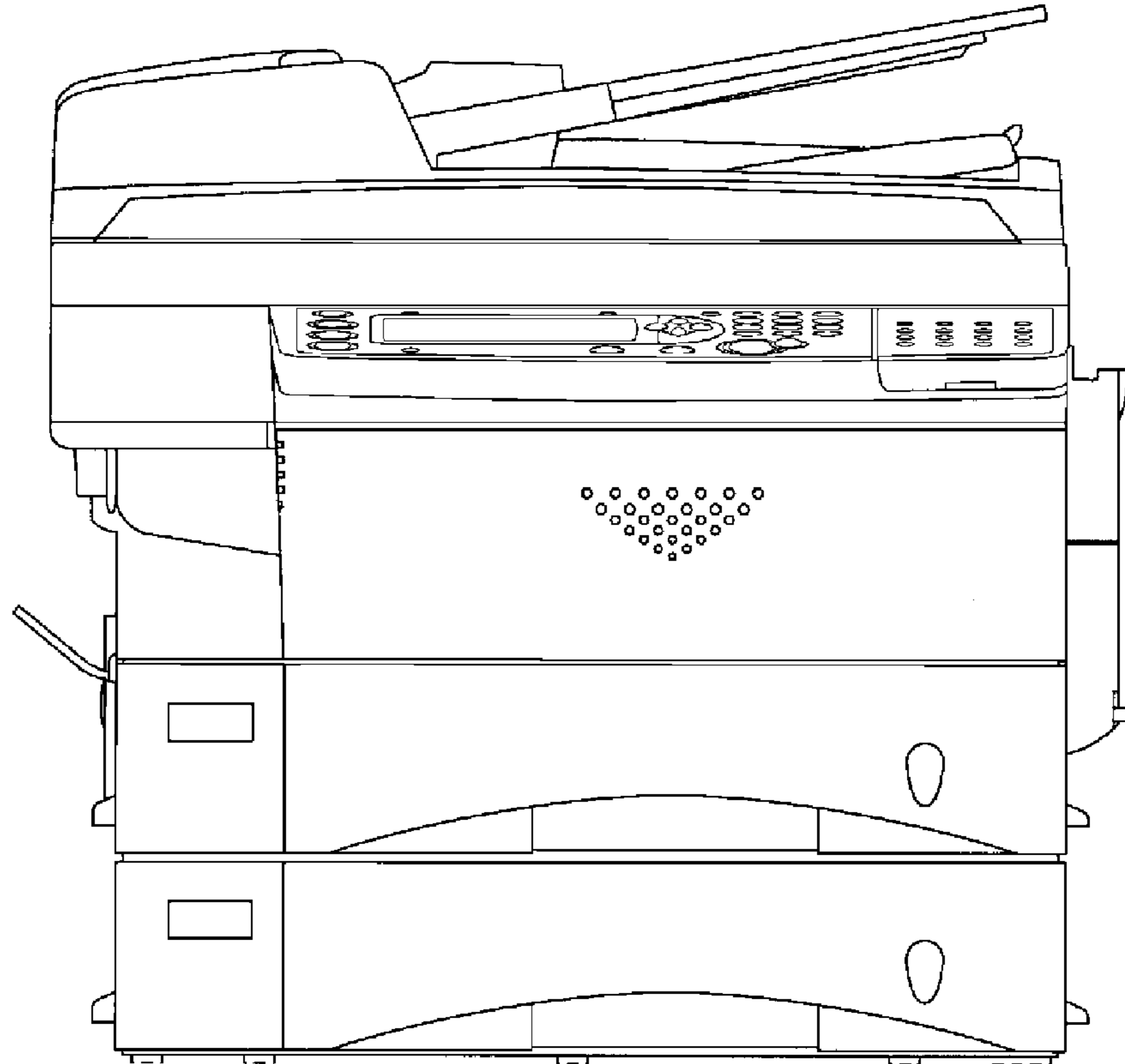


FIG. 2

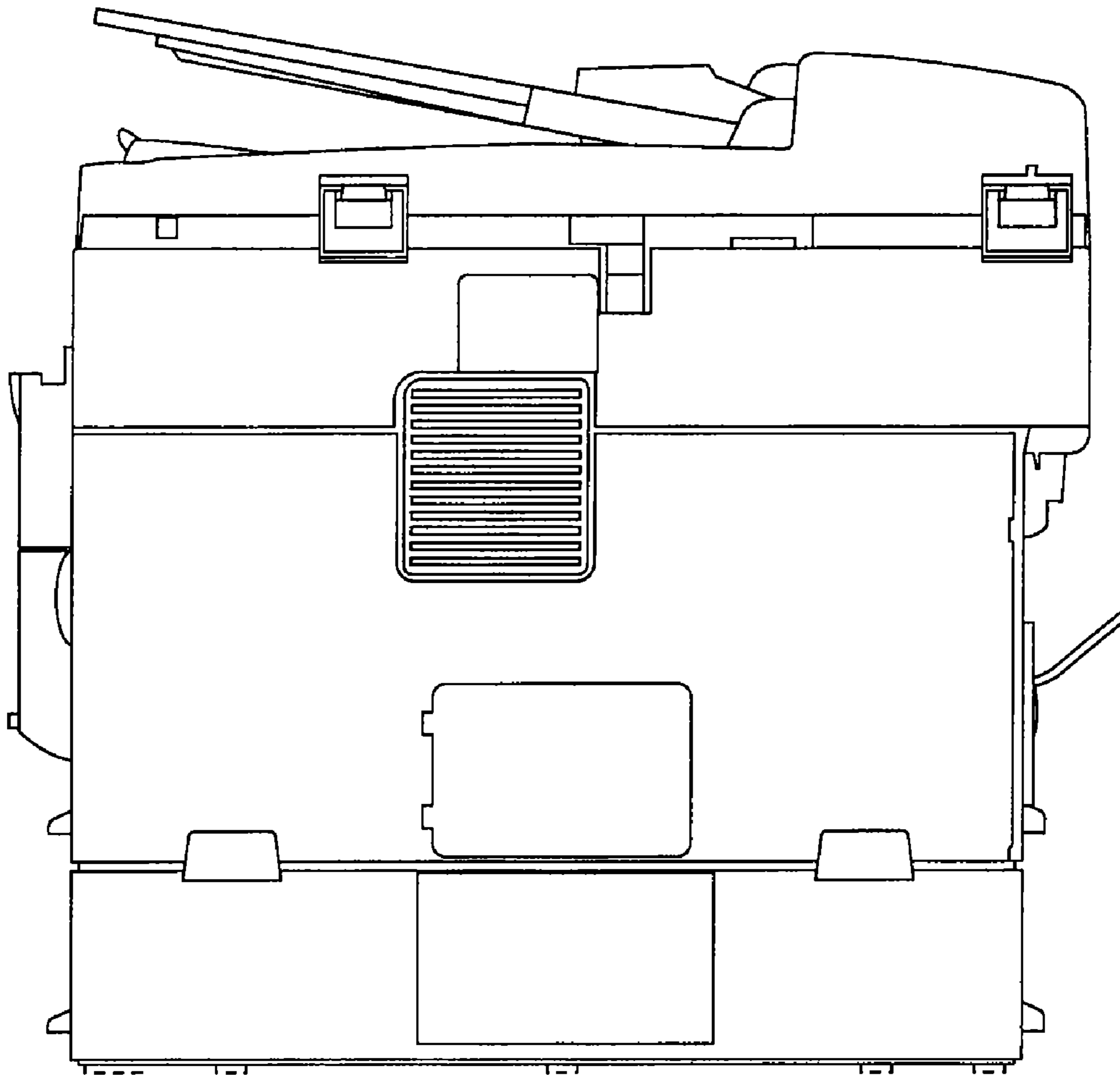


FIG. 3

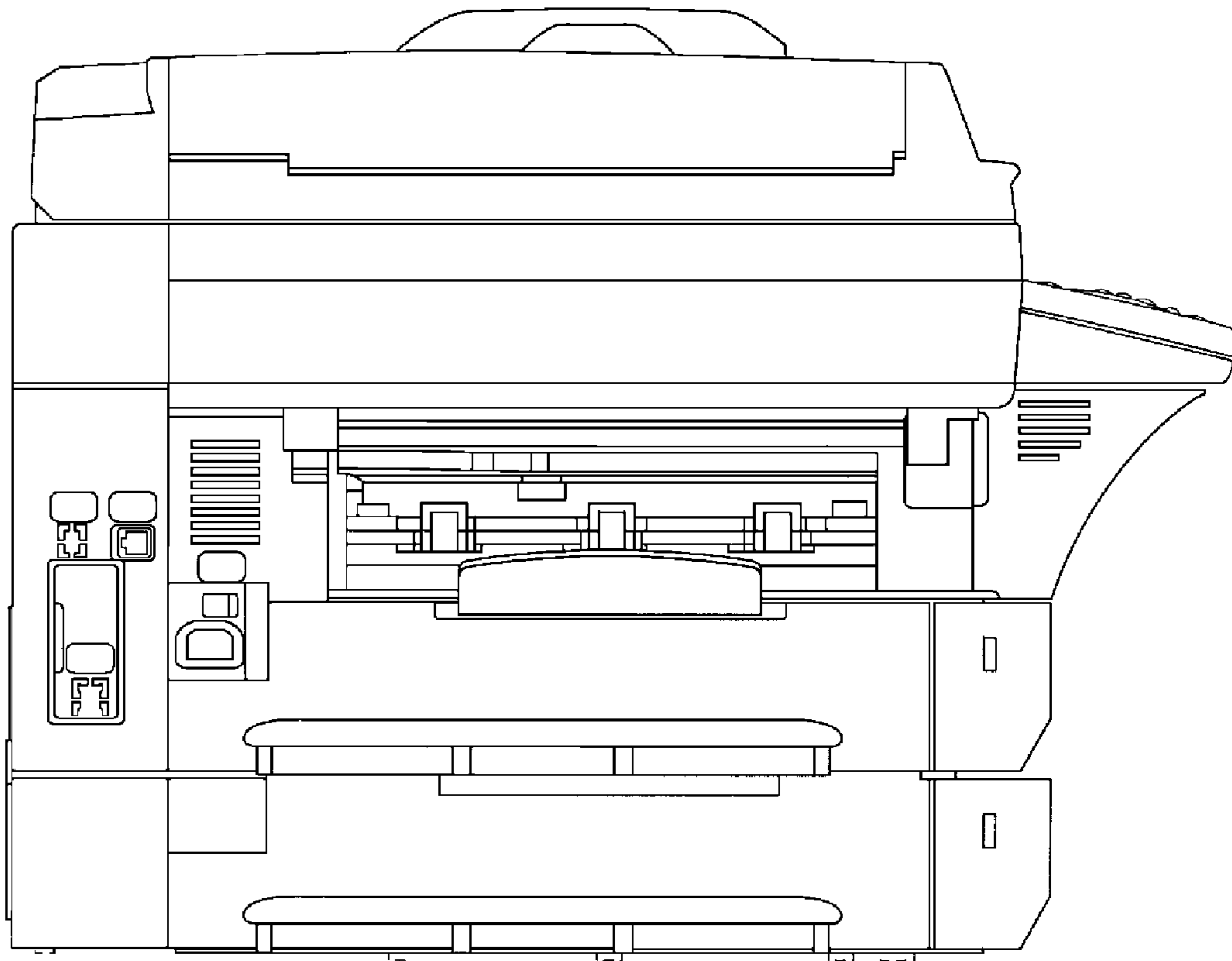


FIG. 4

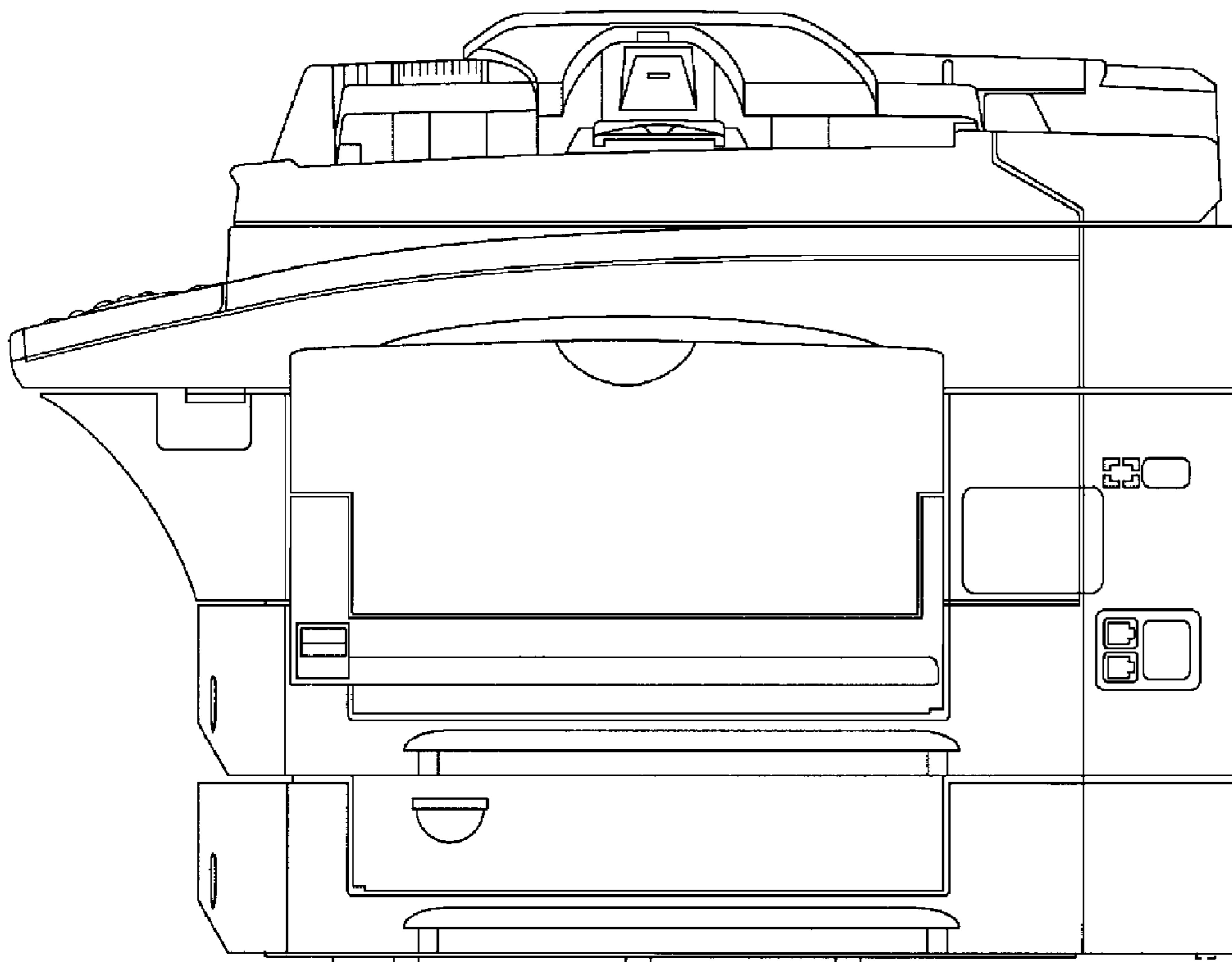


FIG. 5

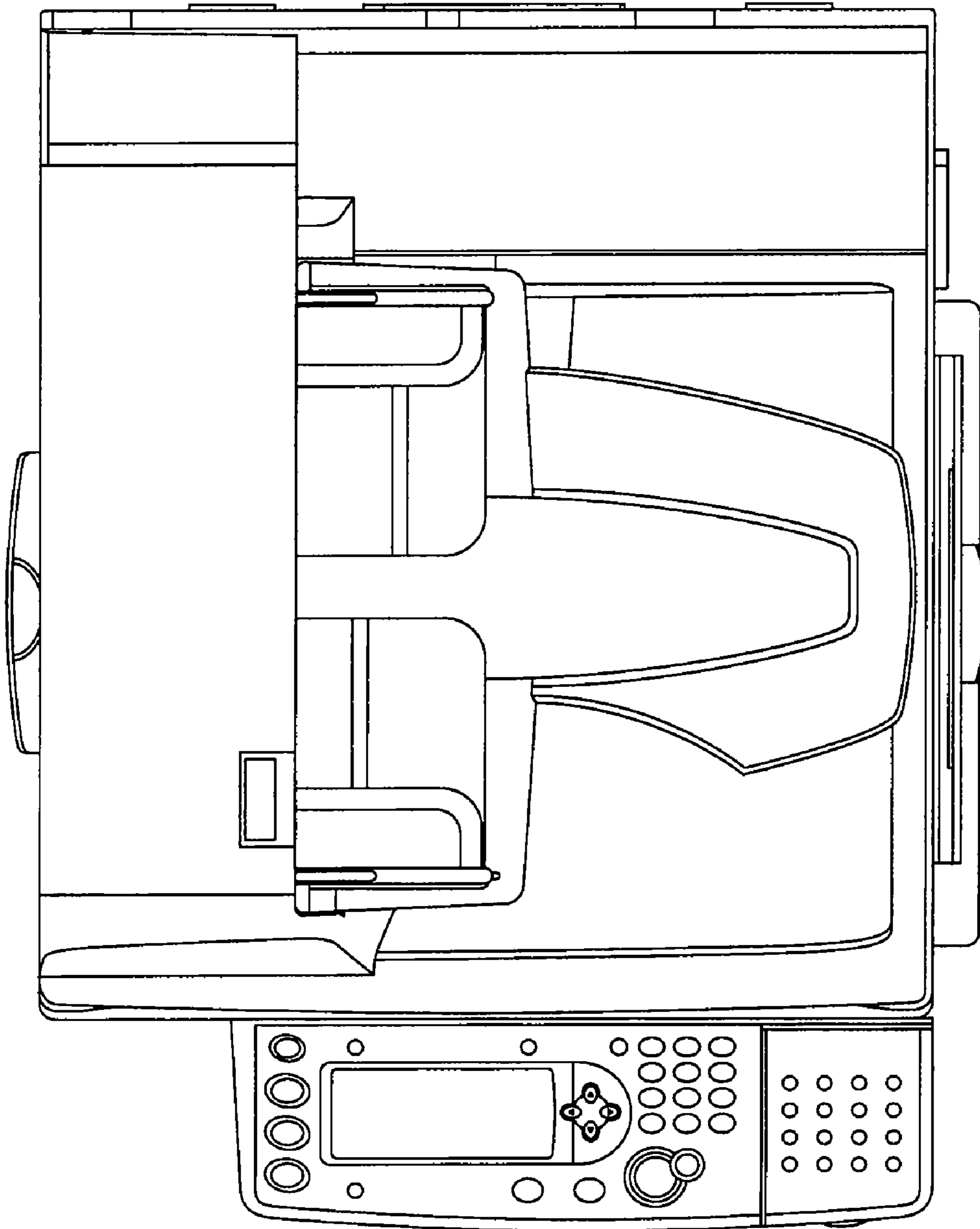


FIG. 6

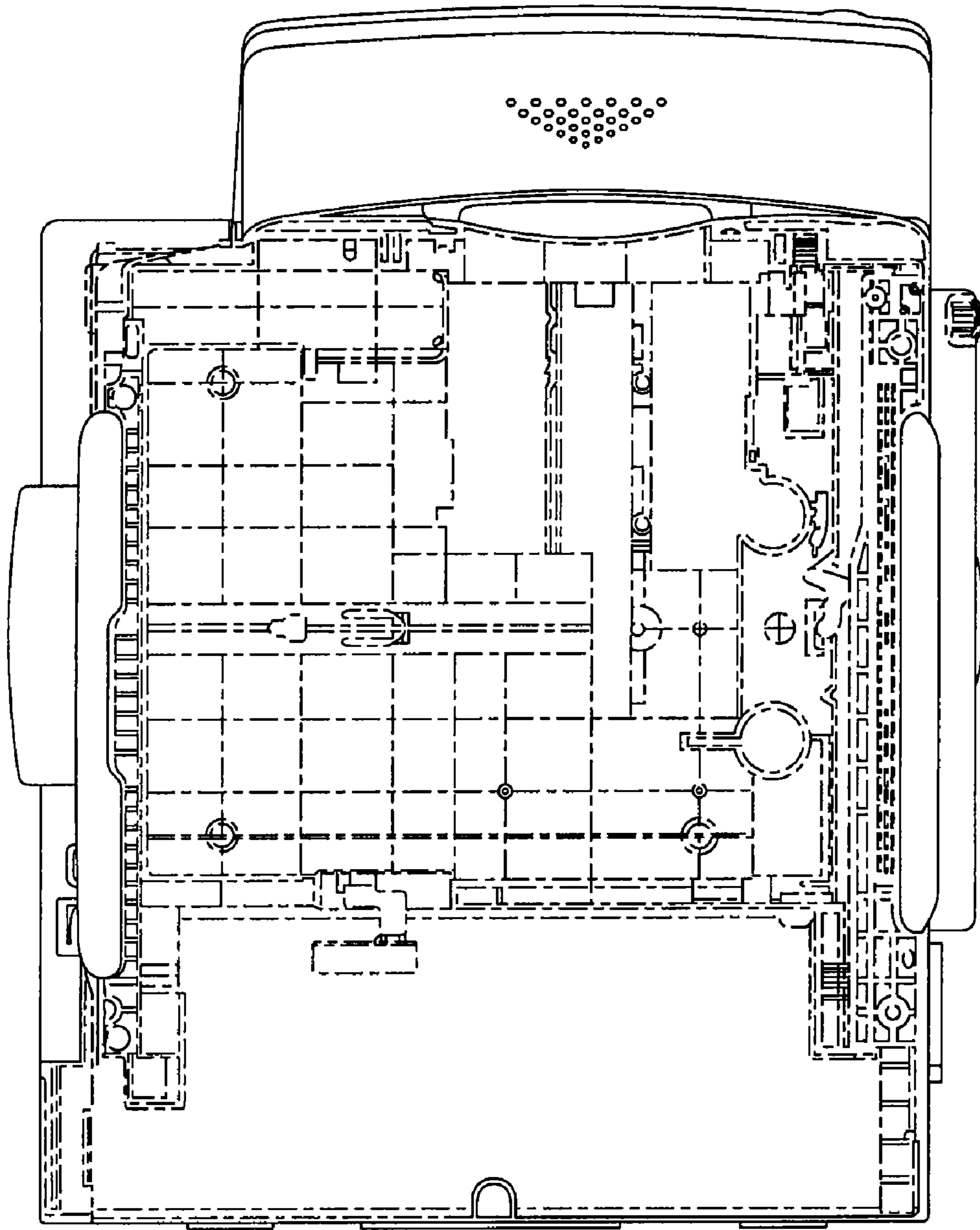


FIG. 7