



US00D554647S

(12) **United States Design Patent**
Chan

(10) **Patent No.:** **US D554,647 S**

(45) **Date of Patent:** **** Nov. 6, 2007**

(54) **LAPTOP COMPUTER STAND**

(75) Inventor: **Man-Yan Chan**, Kowloon (CN)

(73) Assignee: **Tapluck Ltd.**, Kowloon, Hong Kong (CN)

(**) Term: **14 Years**

(21) Appl. No.: **29/242,242**

(22) Filed: **Nov. 7, 2005**

(30) **Foreign Application Priority Data**

Aug. 18, 2005 (HK) 0501924

(51) **LOC (8) Cl.** **08-07**

(52) **U.S. Cl.** **D14/447**

(58) **Field of Classification Search** 248/442.2,
248/918, 279.1, 284.1, 454, 457, 917, 65,
248/441.1, 455, 460, 923, 371, 447, 393,
248/398, 122.1, 127, 133, 136, 456, 461,
248/462-64; D14/447, 434, 375, 376, 432,
D14/439, 451, 356, 316; D6/300, 512, 310-12,
D6/419; 361/683, 686; 108/10, 28, 32,
108/6; D19/86, 90-1
See application file for complete search history.

(56) **References Cited**

U.S. PATENT DOCUMENTS

- 3,381,928 A * 5/1968 White 248/455
- D221,191 S * 7/1971 Nutt D19/91
- D230,376 S * 2/1974 Andrew D19/91
- 4,886,231 A * 12/1989 Doerksen 248/455
- D358,144 S * 5/1995 Masaaki D14/447
- 5,443,237 A * 8/1995 Stadtmauer 248/441.1
- 5,480,118 A * 1/1996 Cross 248/459

- D395,640 S * 6/1998 Goodman et al. D14/447
- 5,899,421 A * 5/1999 Silverman 248/175
- 6,045,108 A * 4/2000 Cziraky 248/454
- 6,082,696 A * 7/2000 Patterson 248/454
- 6,435,466 B1 * 8/2002 Adams 248/455
- D467,930 S * 12/2002 Hwang D14/447
- D468,542 S * 1/2003 Hennekes et al. D6/310
- 6,545,864 B2 * 4/2003 Davis, IV 361/683
- D480,088 S * 9/2003 Bakker et al. D14/447
- D480,730 S * 10/2003 Doherty et al. D14/447
- 6,679,468 B1 * 1/2004 Hsu 248/454
- 6,840,791 B2 * 1/2005 Hsiu 439/374
- 6,971,622 B2 * 12/2005 Ziegler et al. 248/454
- 2003/0001064 A1 * 1/2003 Book 248/460

* cited by examiner

Primary Examiner—M. H. Tung

Assistant Examiner—Susan Moon Lee

(74) *Attorney, Agent, or Firm*—Alix, Yale & Ristas, LLP

(57) **CLAIM**

The ornamental design for a laptop computer stand, as shown and described.

DESCRIPTION

FIG. 1 is a reduced perspective view of a laptop computer stand in an open position showing my new design;

FIG. 2 is a front elevational view thereof;

FIG. 3 is a top plan view thereof;

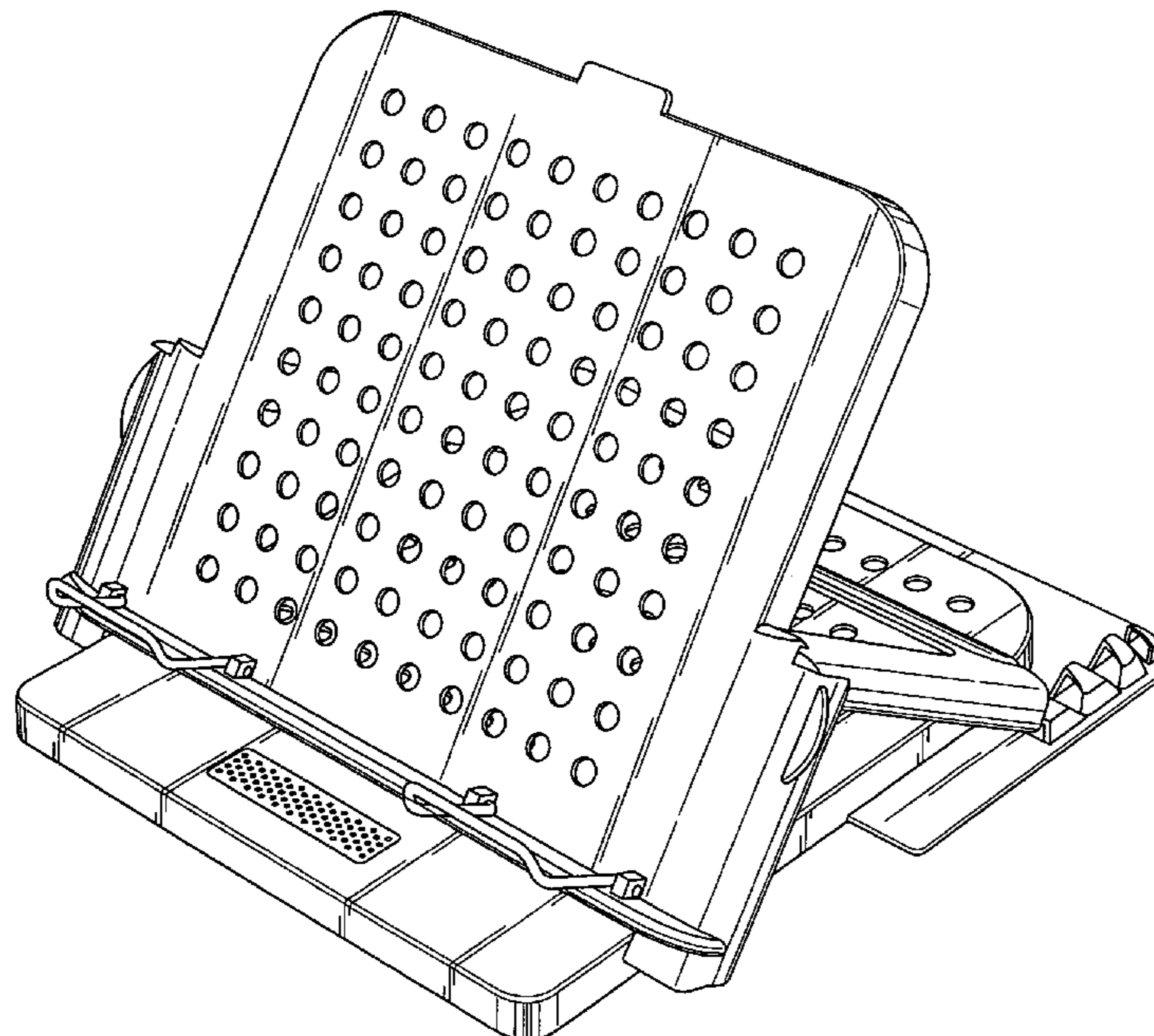
FIG. 4 is a left side elevational view thereof;

FIG. 5 is a right side elevational view thereof;

FIG. 6 is a rear view thereof; and,

FIG. 7 is a bottom plan view thereof.

1 Claim, 4 Drawing Sheets



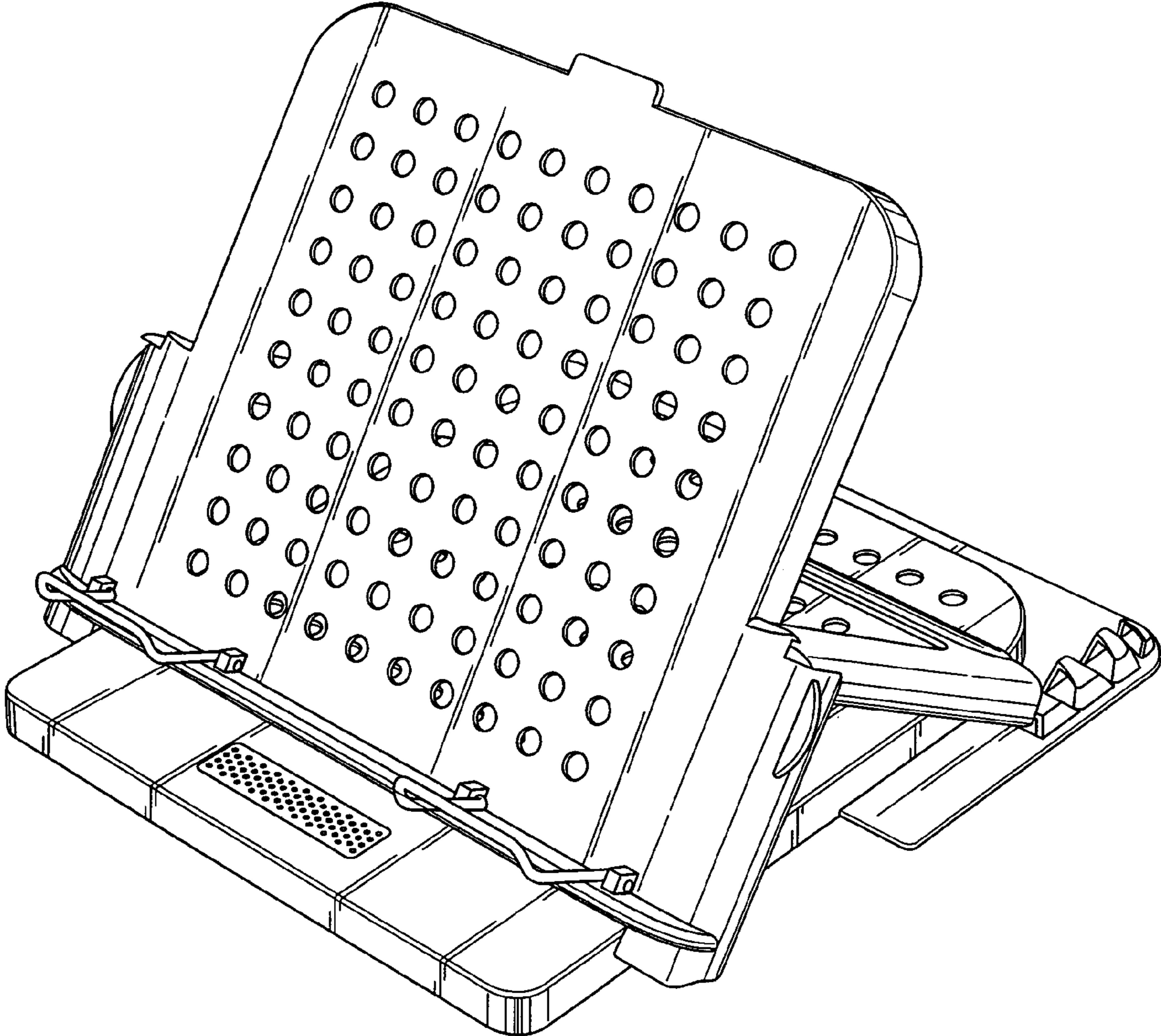


FIG. 1

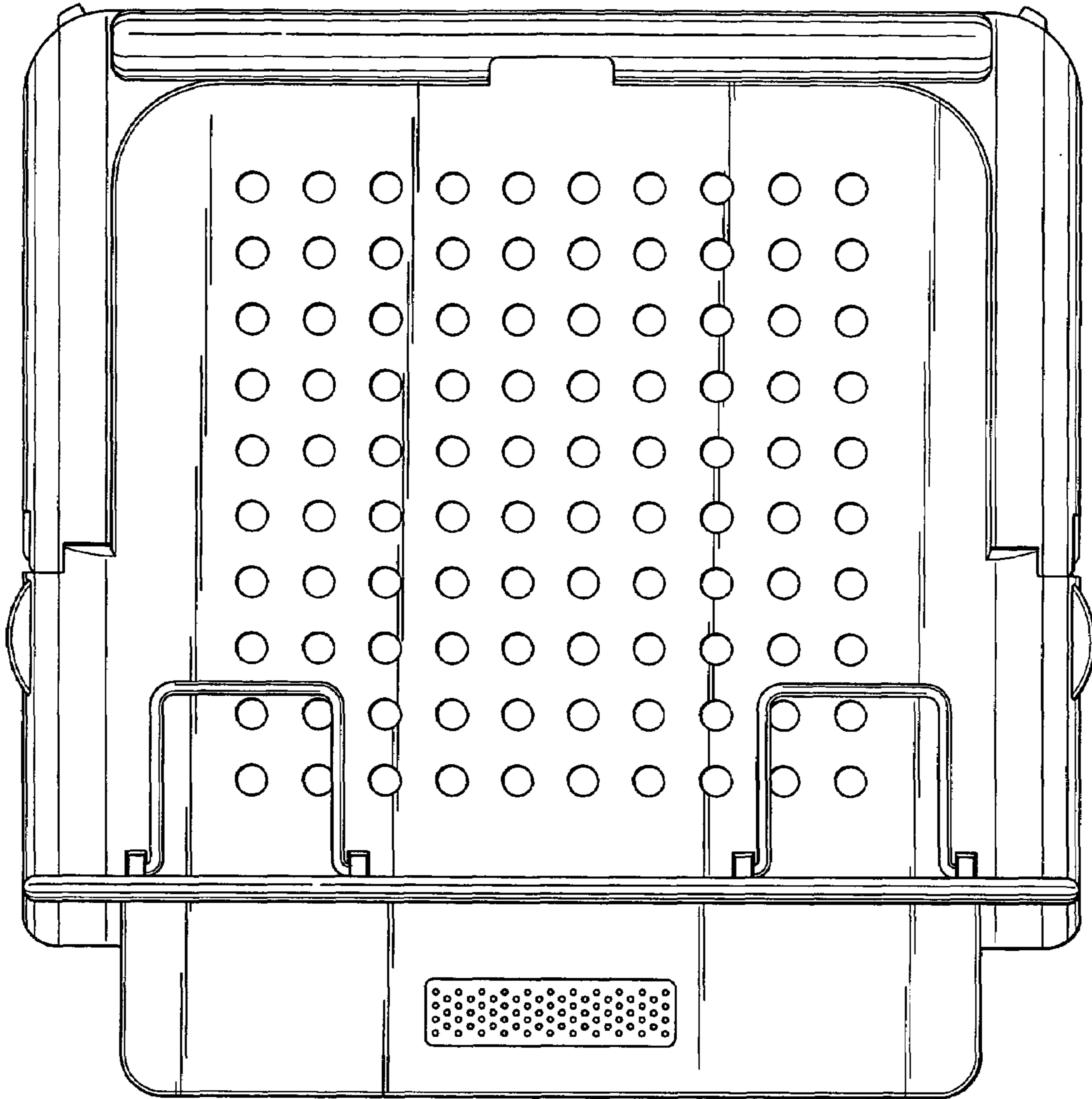


FIG. 3

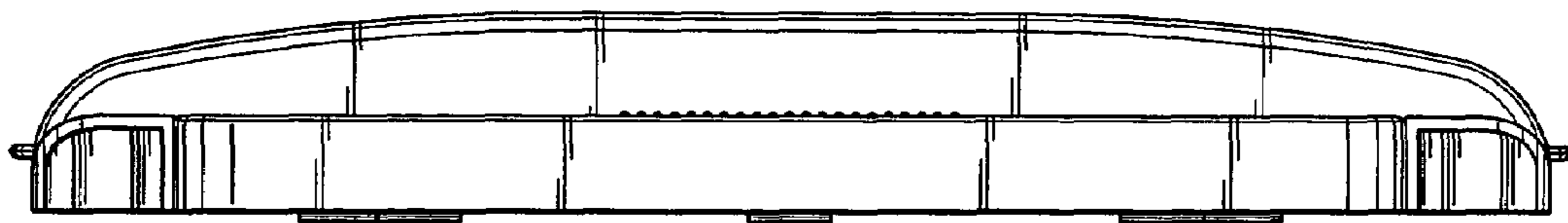


FIG. 2

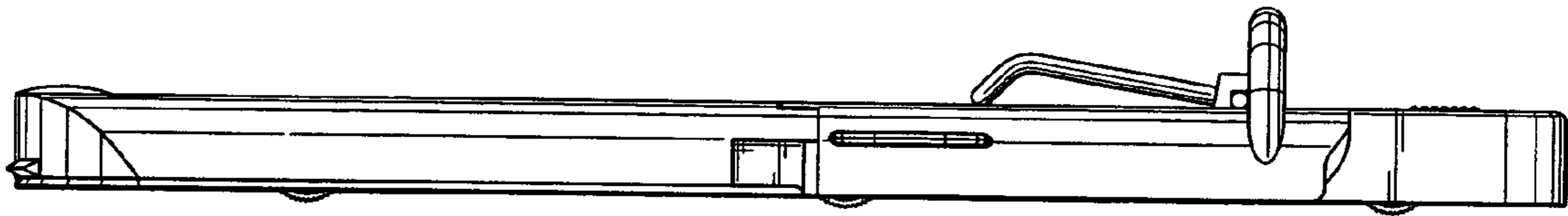


FIG. 4

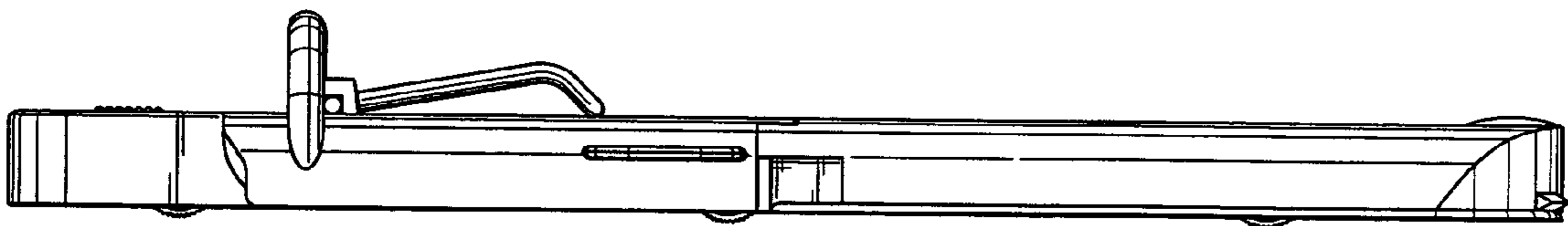


FIG. 5

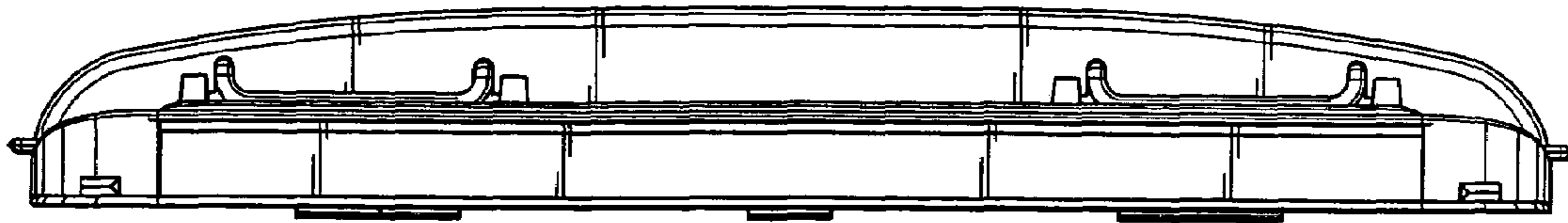


FIG. 6

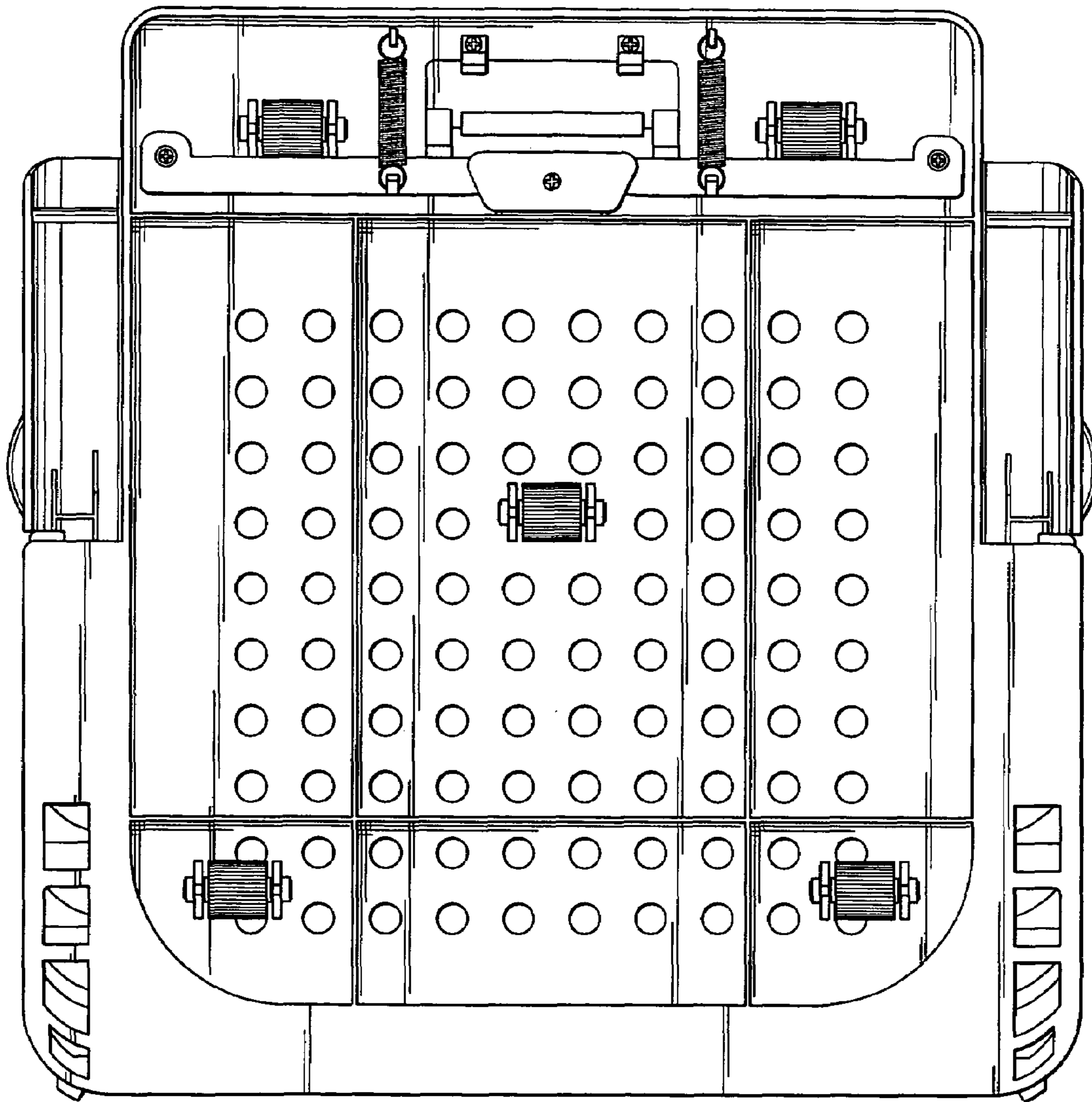


FIG. 7