



US00D554646S

(12) **United States Design Patent**  
**Deng**

(10) **Patent No.:** **US D554,646 S**  
(45) **Date of Patent:** **\*\* Nov. 6, 2007**

(54) **FRONT BEZEL FOR COMPUTER ENCLOSURE**

FOREIGN PATENT DOCUMENTS

JP D1250014 9/2005

(75) Inventor: **Le-Le Deng**, Shenzhen (CN)

\* cited by examiner

(73) Assignee: **Hon Hai Precision Industry Co., Ltd.**,  
Tu-Cheng, Taipei Hsien (TW)

*Primary Examiner*—Freda S Nunn  
(74) *Attorney, Agent, or Firm*—Wei Te Chung

(\*\*) Term: **14 Years**

(57) **CLAIM**

(21) Appl. No.: **29/264,539**

The ornamental design for a front bezel for computer enclosure, as shown and described.

(22) Filed: **Aug. 11, 2006**

(30) **Foreign Application Priority Data**

**DESCRIPTION**

Jun. 2, 2006 (TW) ..... 95303028

(51) **LOC (8) Cl.** ..... **14-02**

(52) **U.S. Cl.** ..... **D14/444**

(58) **Field of Classification Search** ..... D14/441–446;  
D13/162, 184, 199; 312/223.1–223.3; 360/99.01–99.12,  
360/92; 361/680–686, 690–696, 725  
See application file for complete search history.

FIG. 1 is a perspective view of a front bezel for computer enclosure showing my new design;

FIG. 2 is a front elevational view thereof;

FIG. 3 is a left side elevational view thereof;

FIG. 4 is a right side elevational view thereof;

FIG. 5 is a top plan view thereof;

FIG. 6 is a bottom plan view thereof; and,

FIG. 7 is a perspective view thereof being mounted to a computer enclosure.

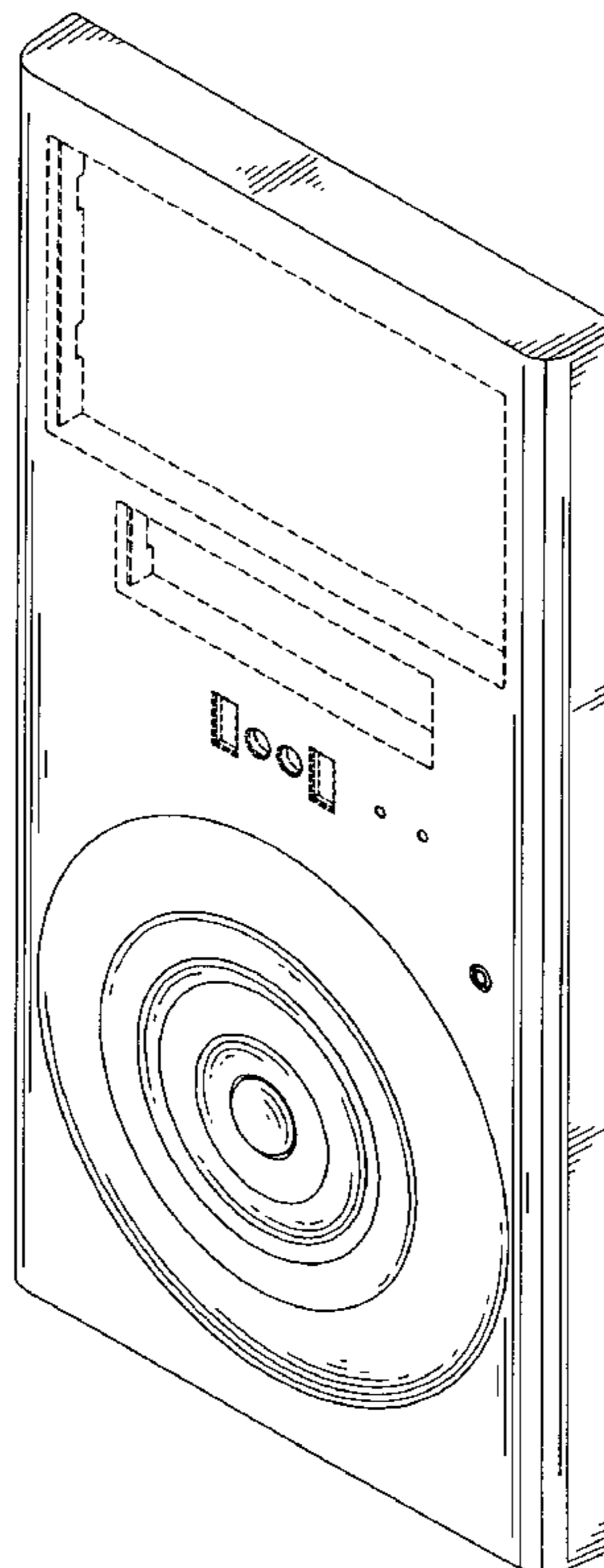
The broken lines are for illustrative purposes only and form no part of the claimed design.

(56) **References Cited**

U.S. PATENT DOCUMENTS

D451,514 S \* 12/2001 Jean et al. .... D14/444  
D467,587 S \* 12/2002 Chien et al. .... D14/445  
D499,734 S \* 12/2004 Su et al. .... D14/444  
D507,574 S \* 7/2005 Su et al. .... D14/445

**1 Claim, 5 Drawing Sheets**



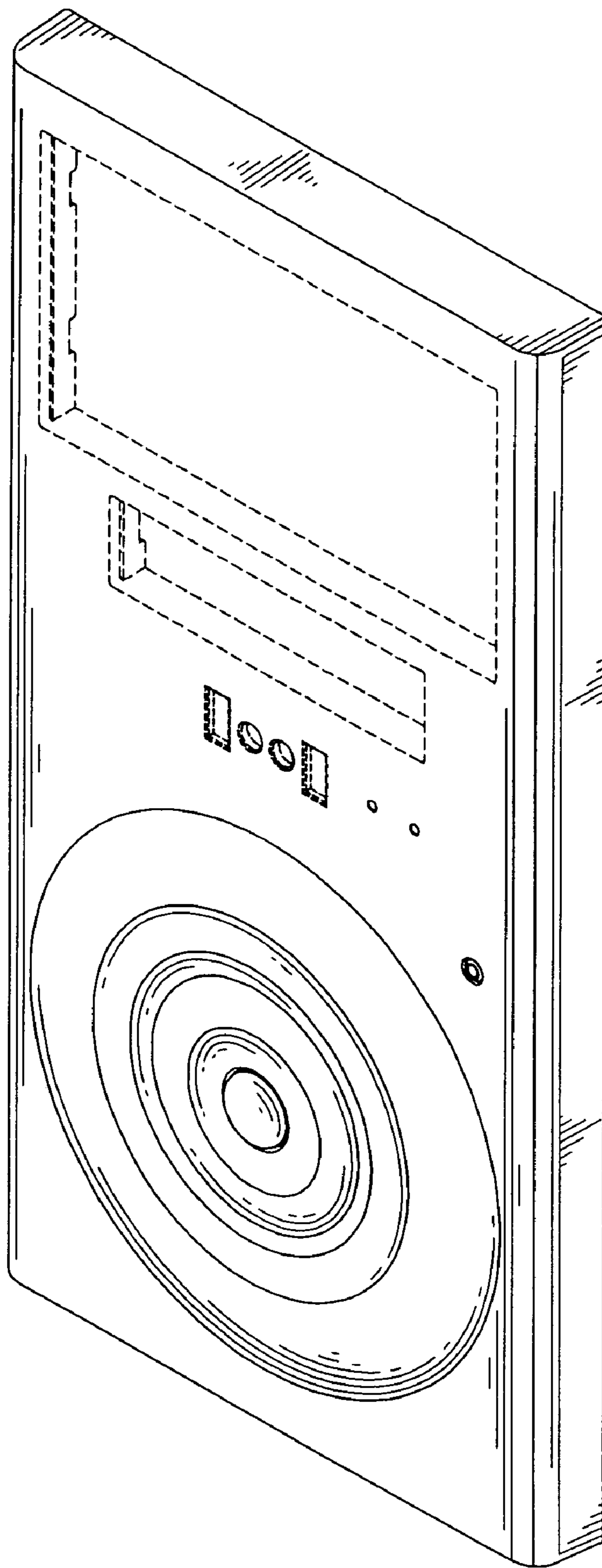


FIG. 1

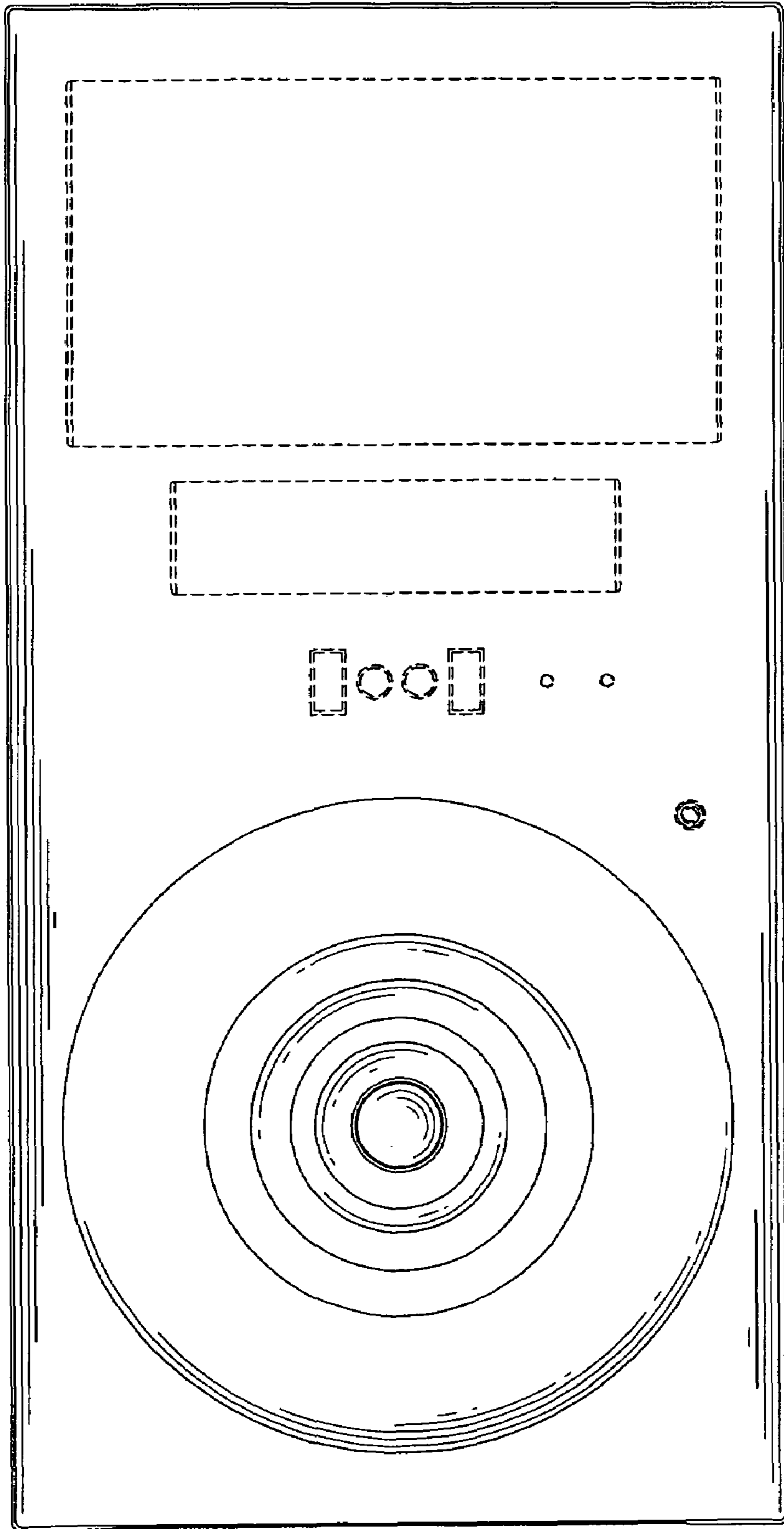


FIG. 2

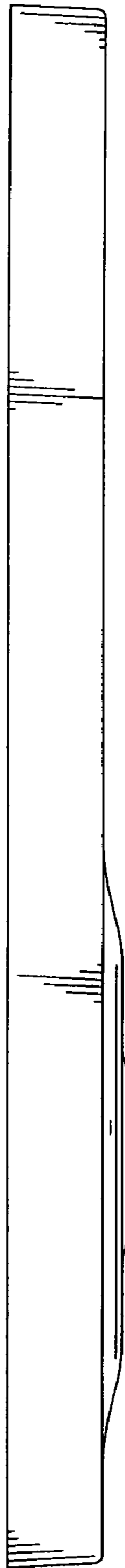


FIG. 3

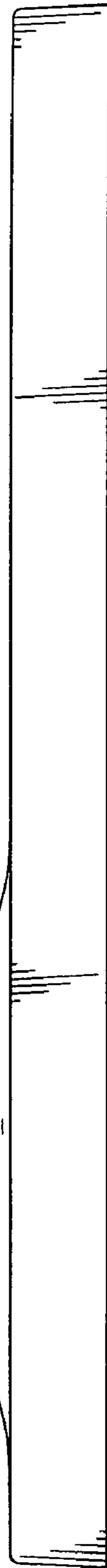


FIG. 4

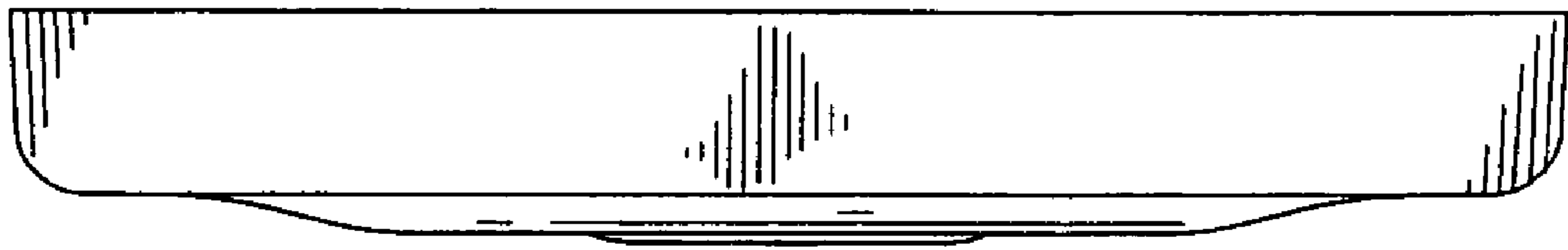


FIG. 5

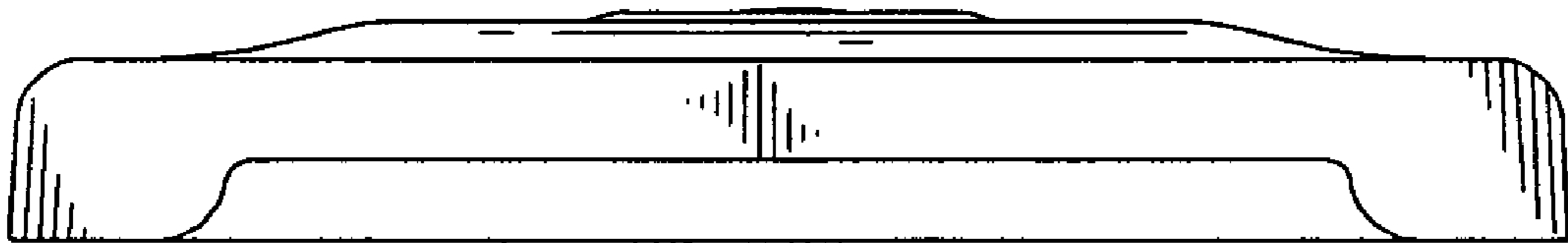


FIG. 6

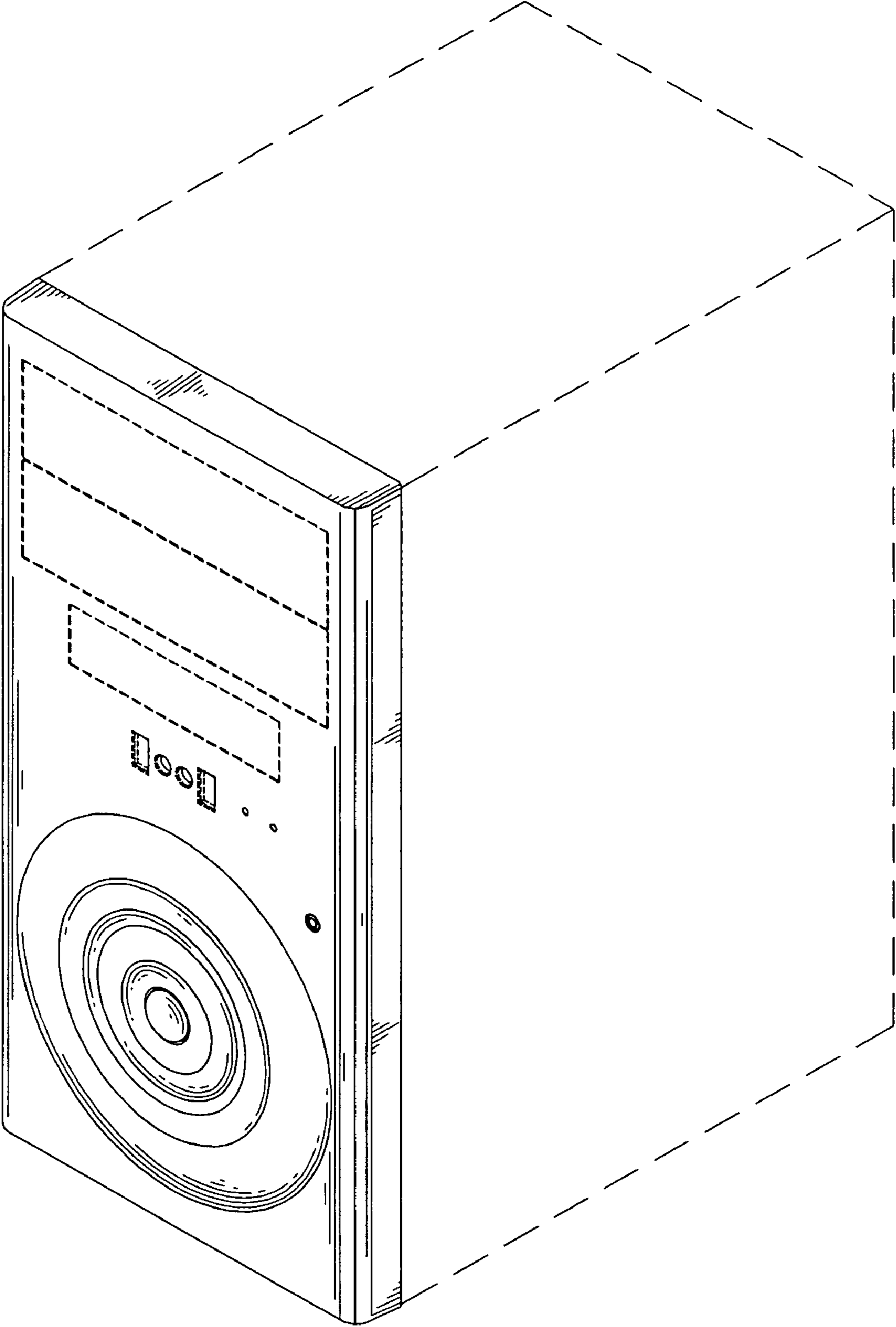


FIG. 7